

XL1-2 Table

designer: Michael Marriott (from England)
size: w750 X d750 X h740 mm
colour: Natural
material: Legs: Oak, Top: Finland Birch, Steel
made in: England

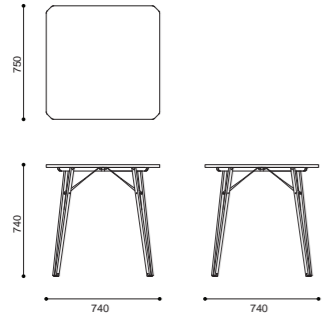


Table Ugo Trestle

designer: Anton Preis (from Germany)
size: w1240 X d490 X h1510 mm
material: Beech, Aluminum
made in: Germany
*天板別売り

