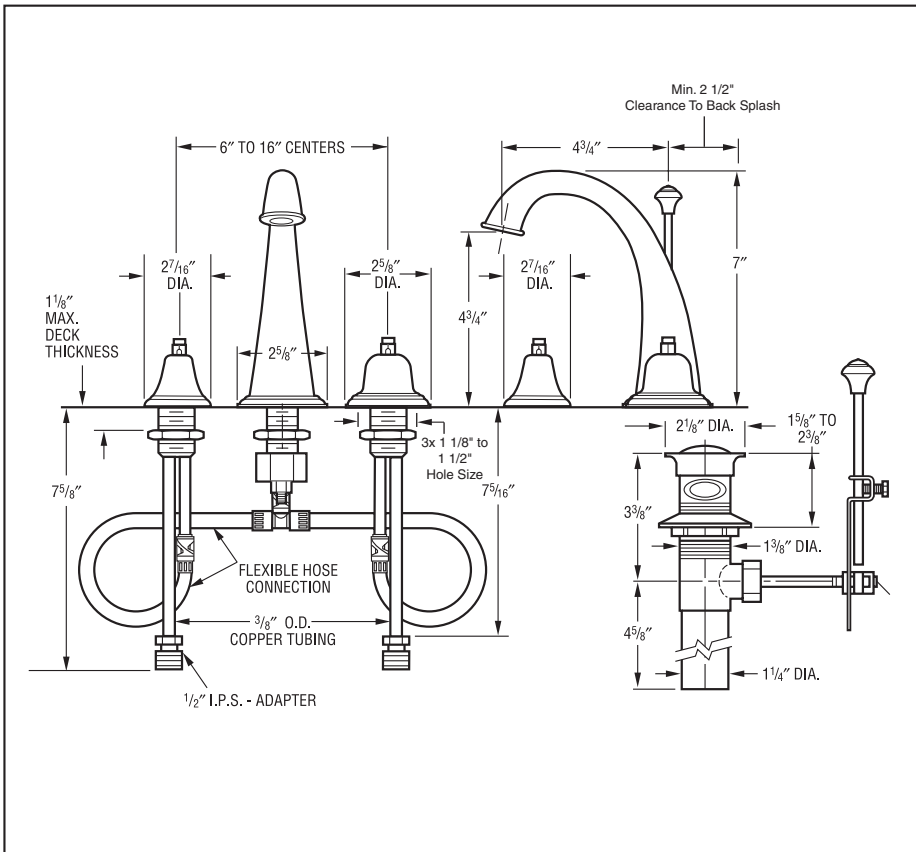
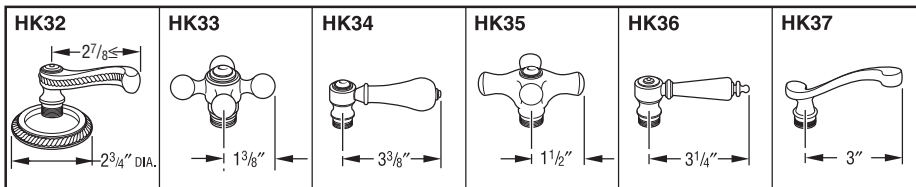


Submitted Model No.: \_\_\_\_\_  
 Specific Features: \_\_\_\_\_



Available LHP Handle Options  
 ▲ Designate proper finish suffix



Delta reserves the right (1) to make changes in specifications and materials, and (2) to change or discontinue models, both without notice or obligation. Dimensions are for reference only. See current full-line price book for finish options and product availability.

BSP-L-6520 Rev. B

# BRIZO<sup>®</sup> LAVATORY FAUCETS

- Providence™ Classic and Belle Series
- Ceramic Disc Valving
- Two Handle Widespread Deck Mount
- 3 Hole Sink Applications
- 6" – 16" Centers
- Quick Snap<sup>®</sup> Installation

## STANDARD SPECIFICATIONS:

- Solid brass fabricated end valve and spout bodies.
- Widespread – 6" to 16" centers.
- Ceramic disc valving.
- Hot and cold stems are interchangeable.
- Control mechanism shall be of the rotating cylinder type with 90° rotation, with replaceable non-metallic seats operating in stainless steel lined sockets.
- ¼ turn stop may be removed for 180° rotation.
- Quick Snap<sup>®</sup> installation.
- Metal drain has pop-up type fitting with plated flange and stopper.
- Note: Standard mounting deck thickness can be extended 1" with RP10612.

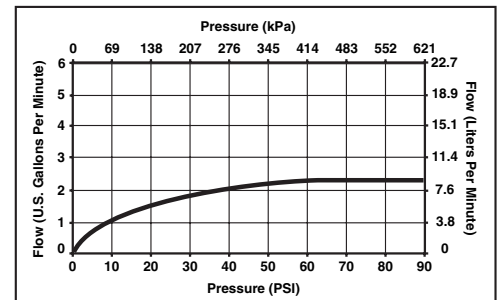
## WARRANTY

- Lifetime Faucet and Finish Limited Warranty to the original consumer purchase to be free from defects in material and workmanship.
- 5 Year Limited Warranty for usage in all industrial, commercial and business applications.



## COMPLIES WITH:

- ASME A112.18.1 / CSA B125.1
- ASME A112.18.2 / CSA B125.2
- ♿ Indicates compliance to ICC/ANSI A117.1
- NSF 61



## Delta Faucet Company

Indianapolis, Indiana 46280  
 A Division of Masco Corporation of Indiana  
 © 2009 Masco Corporation of Indiana