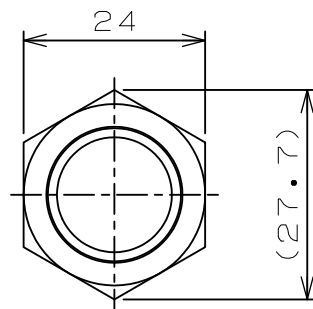
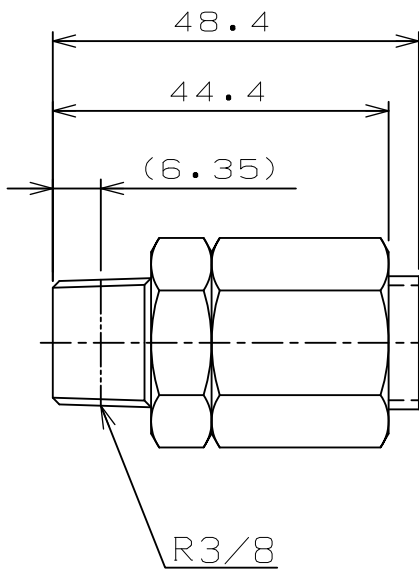


リングP9

TITLE	KANTOUCH
MODEL	TH9-1/4-BorS



リングP9

TITLE	KANTOUCH
MODEL	TH9-3/8-BorS

TH9-BorS	RGL JOINT CO., LTD
----------	--------------------

DATE	01, 11, 12	A4	1/1
------	------------	----	-----