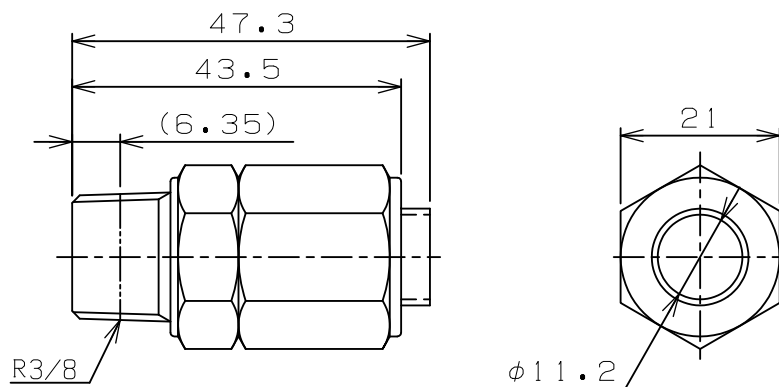


TITLE	KADOMILESS KANTOUCH
MODEL	TH6-1/4-B-N-Ro



TITLE	KADOMILESS KANTOUCH
MODEL	TH6-3/8-B-N-Ro

TH6-B-N-Ro		RGL JOINT CO., LTD	
DATE	08, 02, 28	A4	1/1