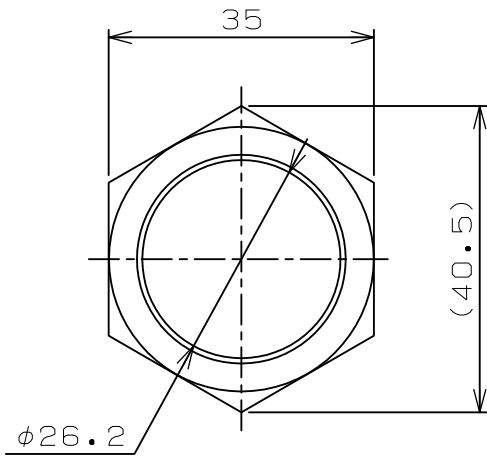
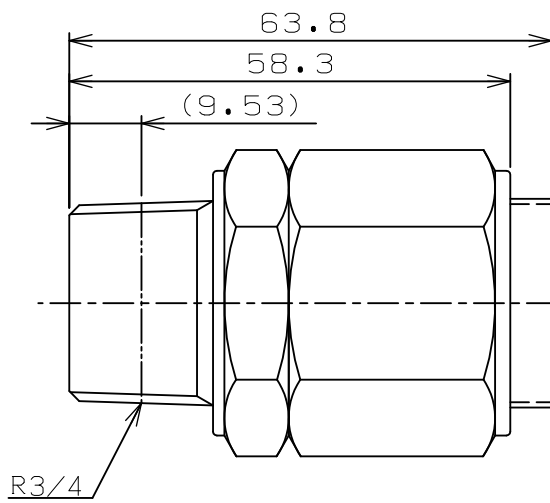
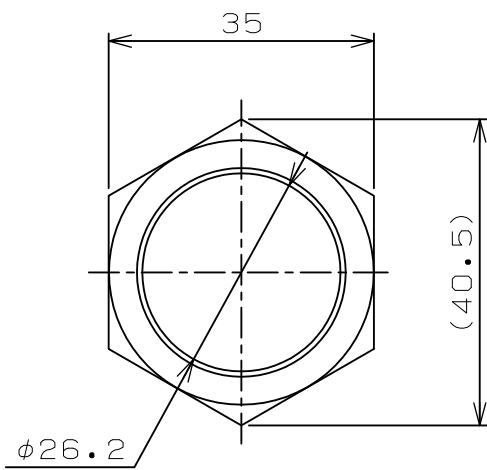
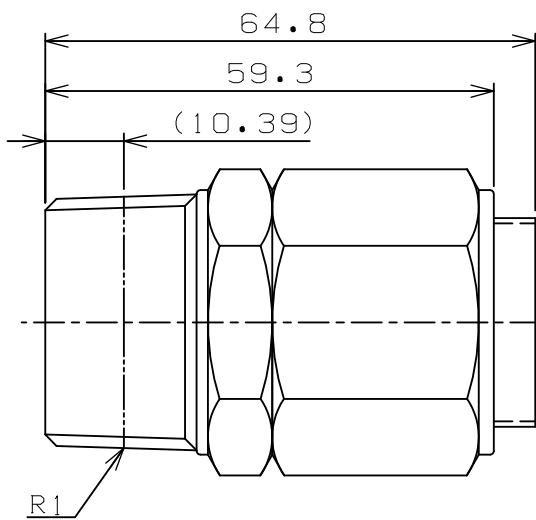


TITLE	KADOMILESS KANTOUCH
MODEL	TH19-1/2-B-N-R _o



TITLE	KADOMILESS KANTOUCH
MODEL	TH19-3/4-B-N-R _o



TITLE	KADOMILESS KANTOUCH
MODEL	TH19-1-B-N-R _o

TH19-B-N-R_o

RGL JOINT CO., LTD

DATE 08, 02, 29

A4

1/1

RGL JOINT