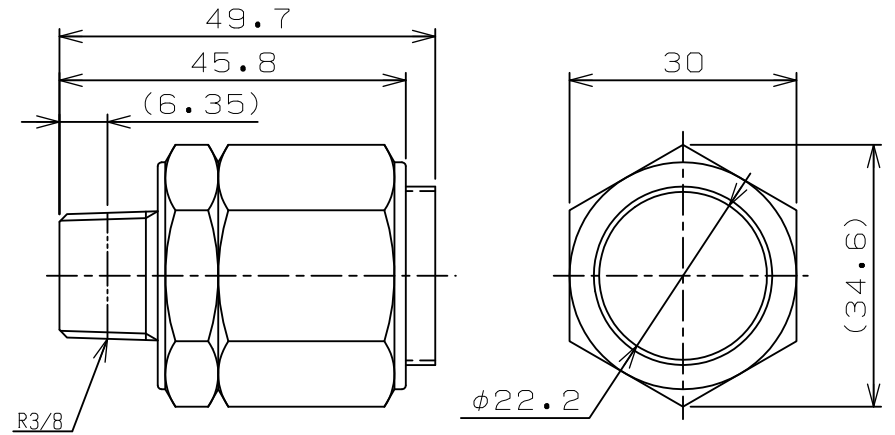
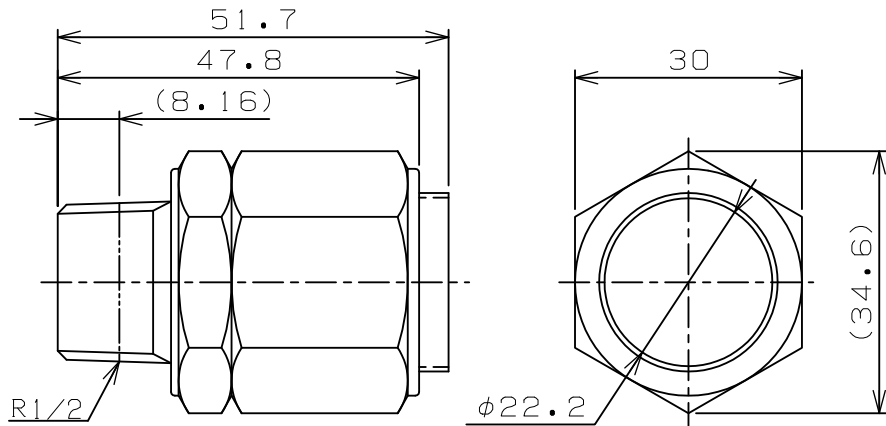


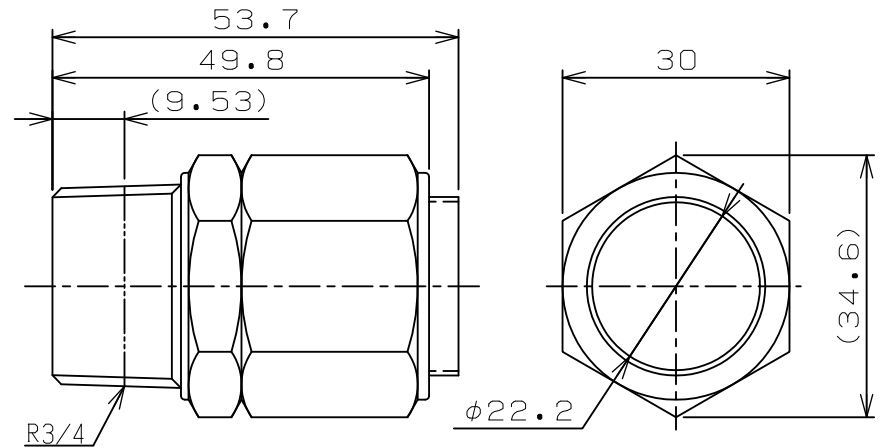
TITLE	KADOMILESS KANTOUCH
MODEL	TH15-1/4-B-N-R _o



TITLE	KADOMILESS KANTOUCH
MODEL	TH15-3/8-B-N-R _o



TITLE	KADOMILESS KANTOUCH
MODEL	TH15-1/2-B-N-R _o



TITLE	KADOMILESS KANTOUCH
MODEL	TH15-3/4-B-N-R _o

MODEL	TH15-B-N-R _o	RGL JOINT CO., LTD
DATE	08, 02, 29	A4 1/1