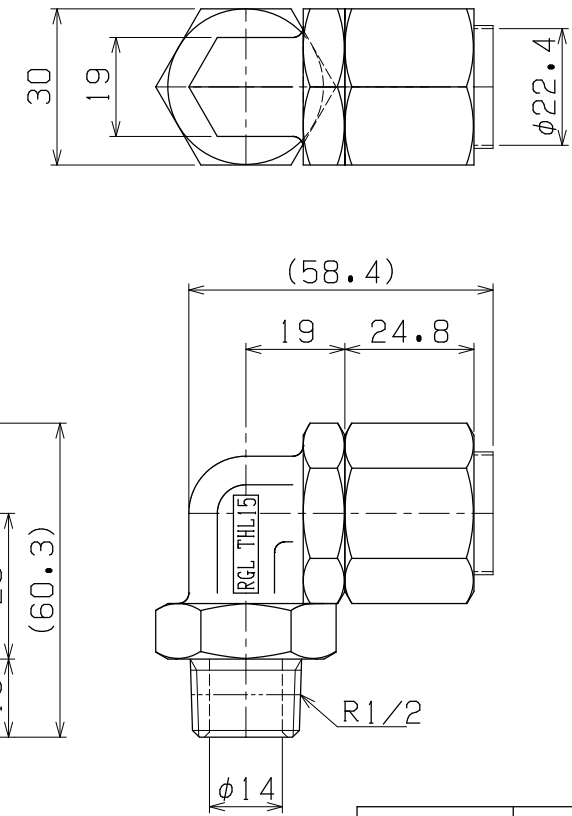


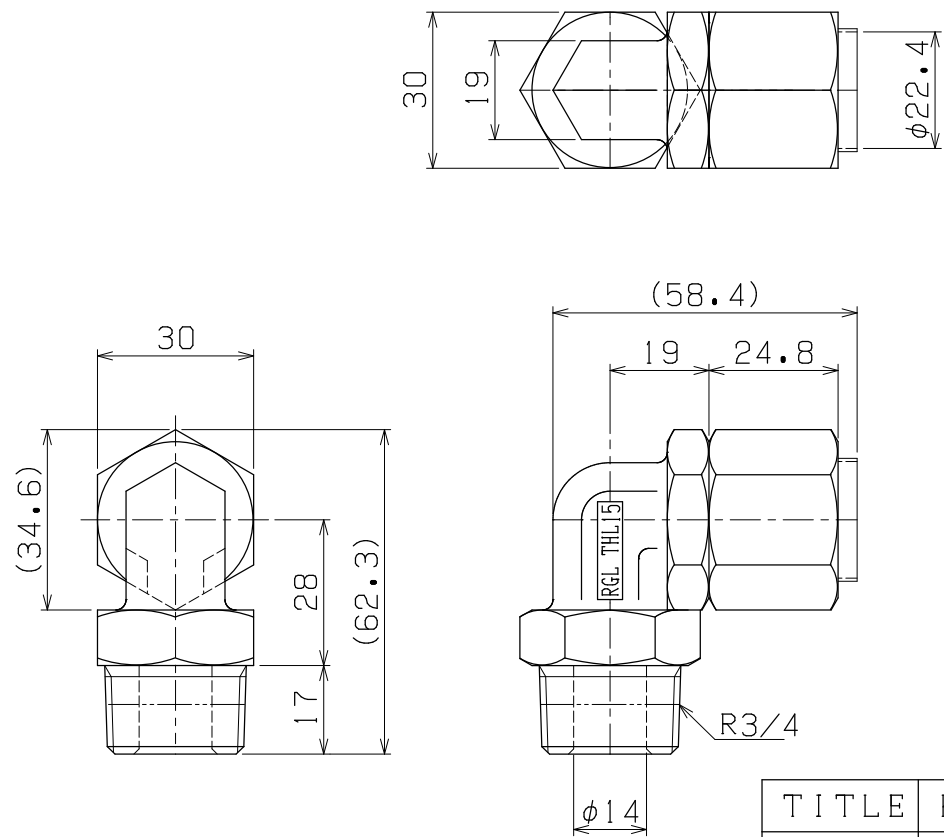
O-RING P16

TITLE	KANTOUCH_L
MODEL	THL15-3/8-S



O-RING P16

TITLE	KANTOUCH_L
MODEL	THL15-1/2-S



O-RING P16

TITLE	KANTOUCH_L
MODEL	THL15-3/4-S

THL15 CAD DATA	REGAL JOINT CO., LTD
DATE 11, 12, 20	A2 1/1