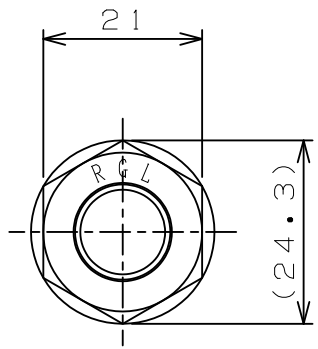
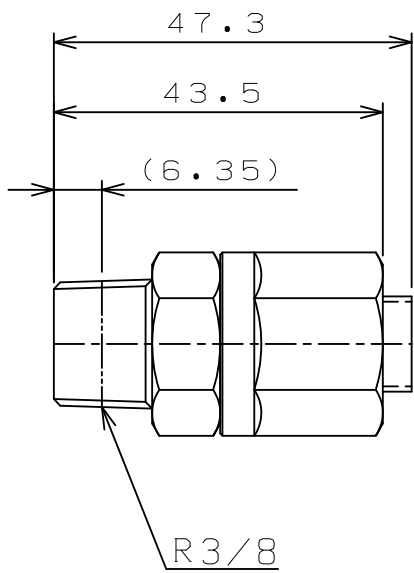


TITLE	KANTOUCH-THJ
MODEL	THJ6-1/4-BorS



TITLE	KANTOUCH-THJ
MODEL	THJ6-3/8-BorS

THJ6-BorS		RGL JOINT CO., LTD	
DATE	12, 1, 23	A4	1/1