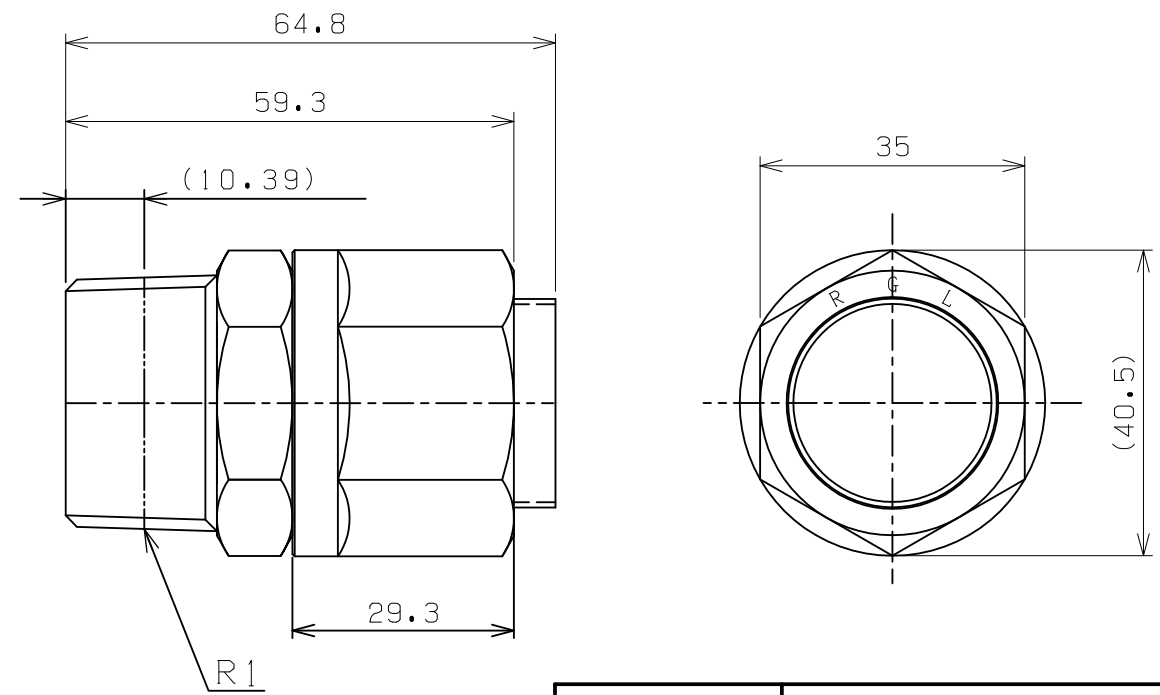
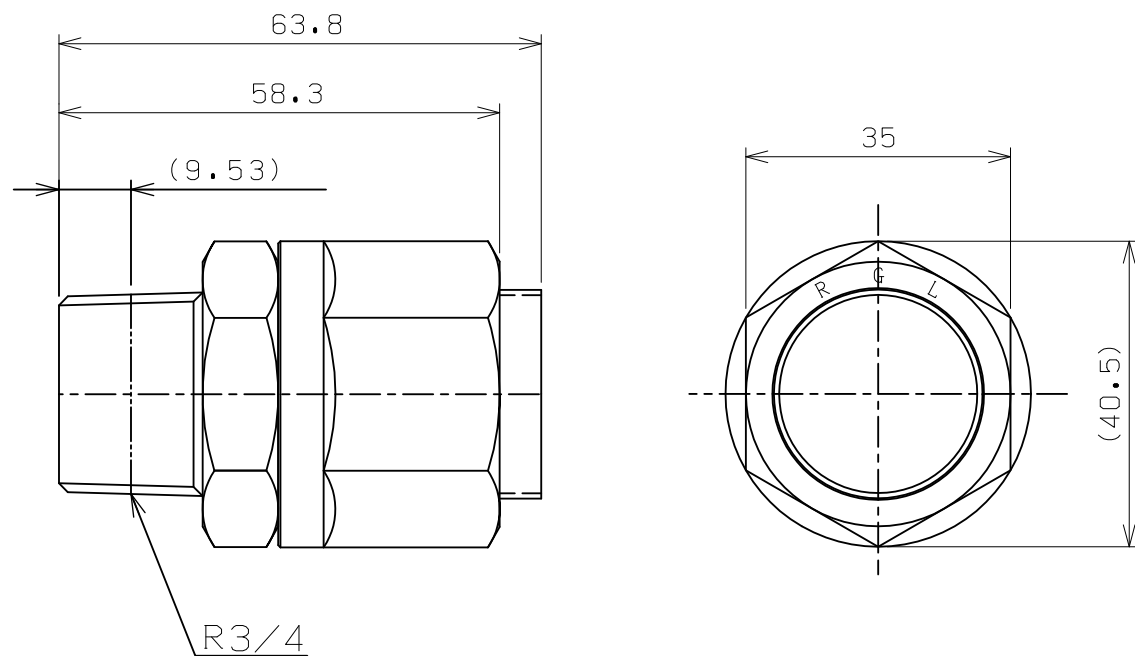


TITLE	KANTOUCH-THJ
MODEL	THJ19-1/2-BorS



TITLE	KANTOUCH-THJ
MODEL	THJ19-1-BorS



TITLE	KANTOUCH-THJ
MODEL	THJ19-3/4-BorS

THJ19-BorS		RGL JOINT CO., LTD	
DATE	12, 1, 23	A3	1/1