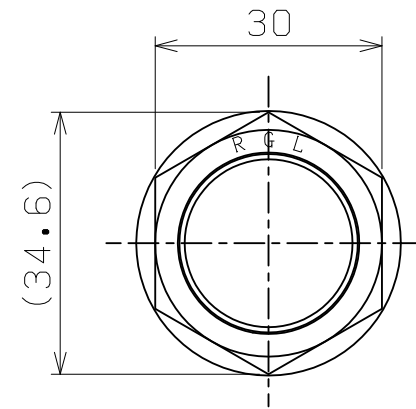
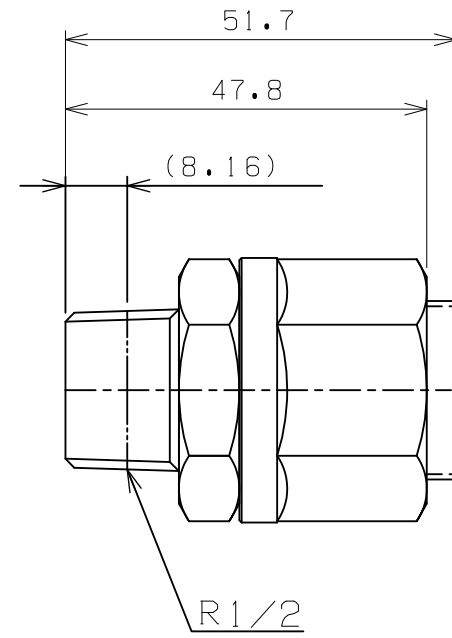
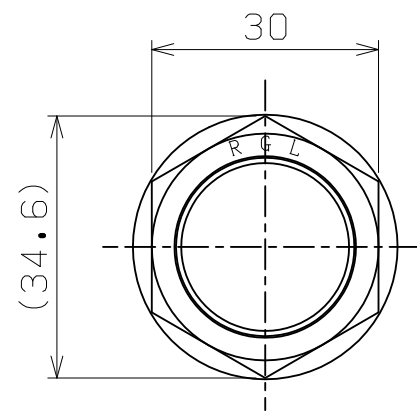
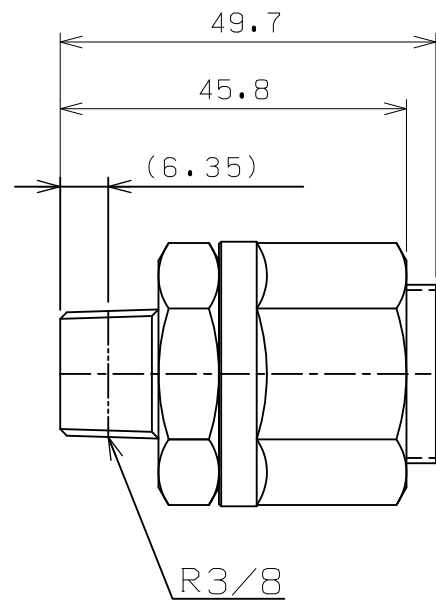


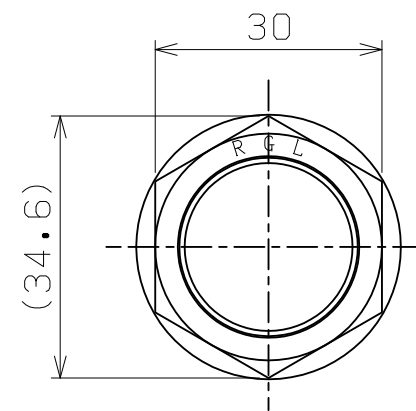
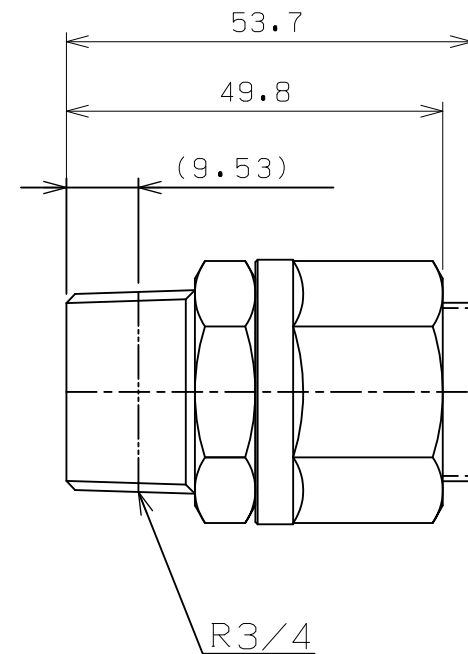
TITLE	KANTOUCH-THJ
MODEL	THJ15-1/4-BorS



TITLE	KANTOUCH-THJ
MODEL	THJ15-1/2-BorS



TITLE	KANTOUCH-THJ
MODEL	THJ15-3/8-BorS



TITLE	KANTOUCH-THJ
MODEL	THJ15-3/4-BorS

THJ15-BorS		RGL JOINT CO., LTD	
DATE	06, 12, 25	A3	1/1