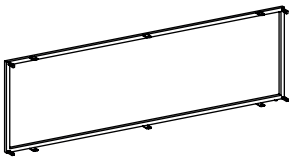

20 min	x2	x2	x1



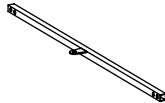
A x1



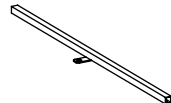
B x1



C x2



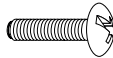
D x2



E x2



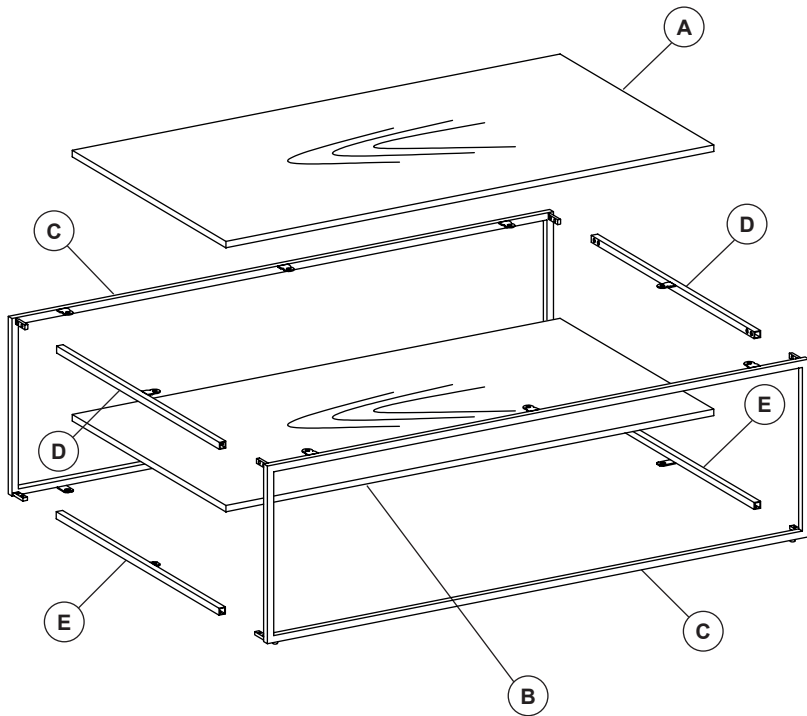
F x16
M6x10mm



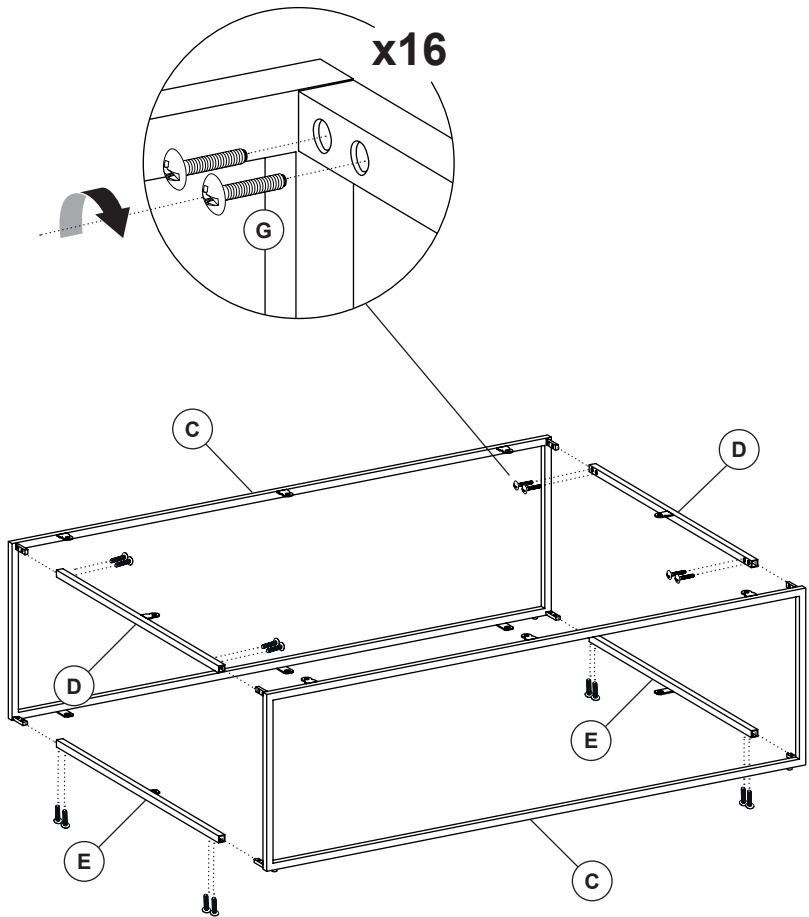
G x16
M5x10mm



H x1
4mm



1





2

