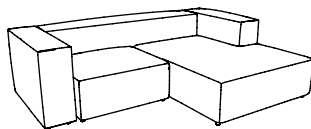
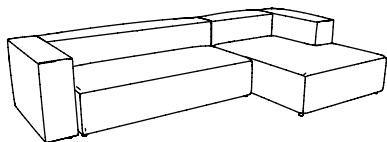


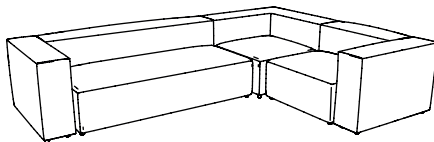
P. 5



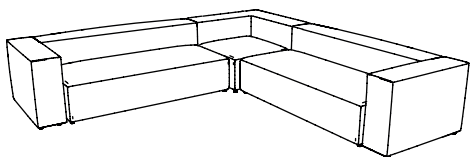
P. 10



P. 17



P. 25

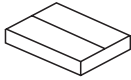


P. 33





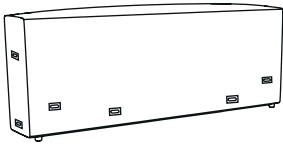
20 min



x3



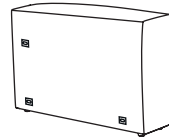
x2



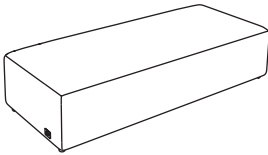
**A x1**



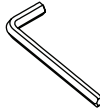
**B x1**



**C x1**



**D x1**



**E x1**  
5 mm



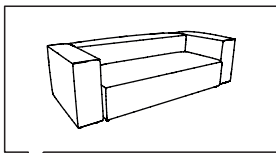
**F x16**  
M8x90 mm



**G x32**

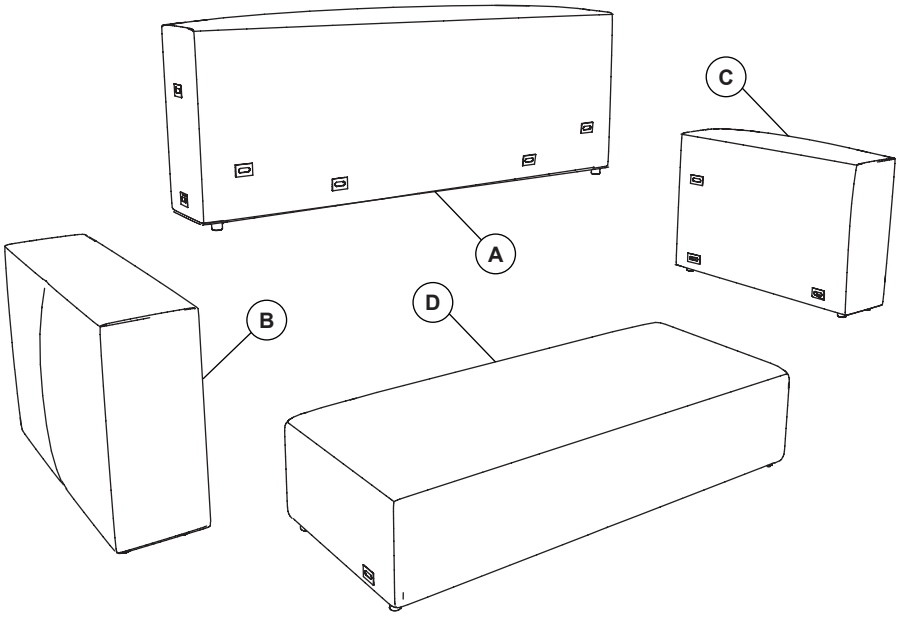


**H x16**



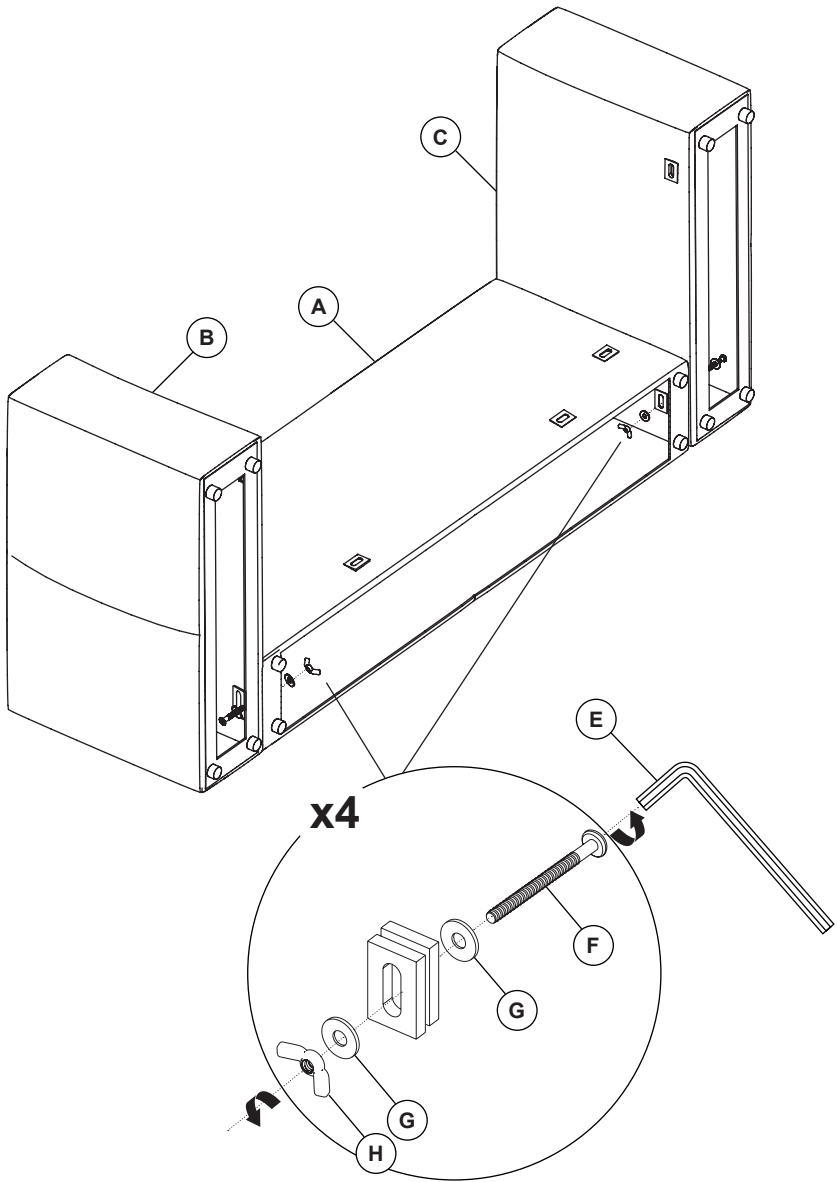


1



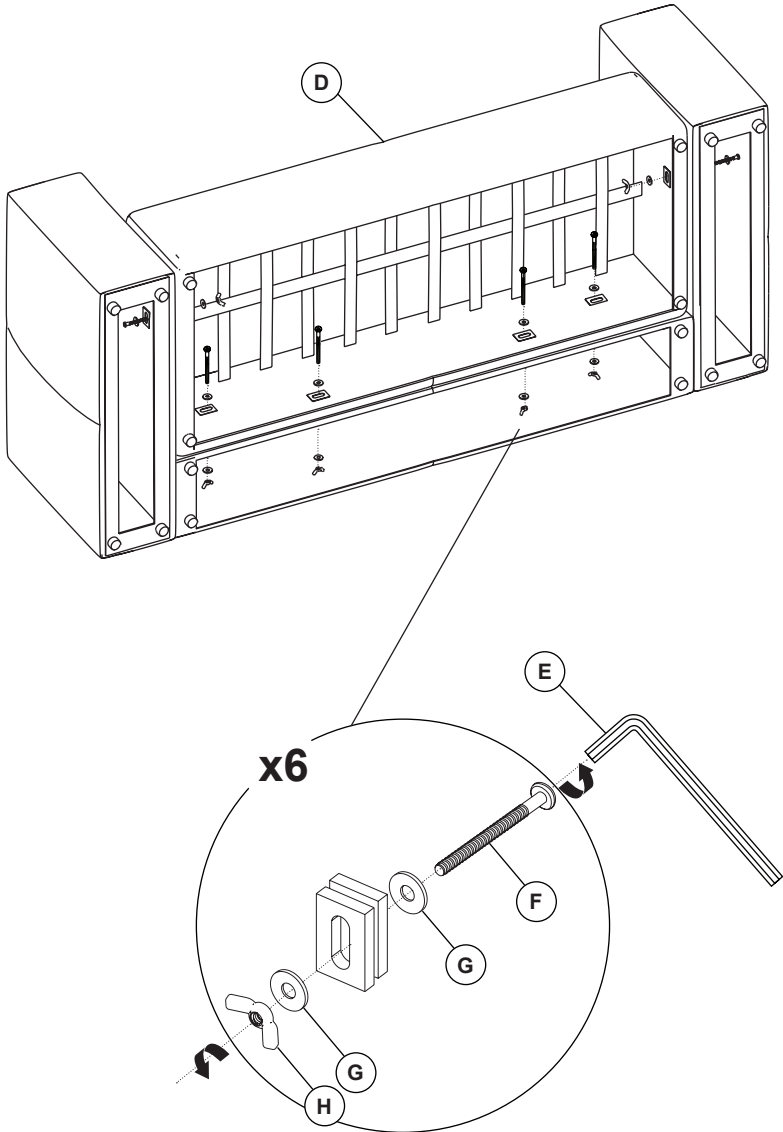


2





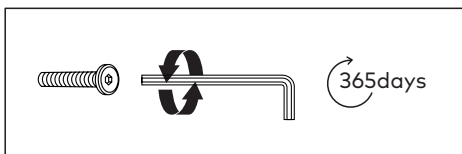
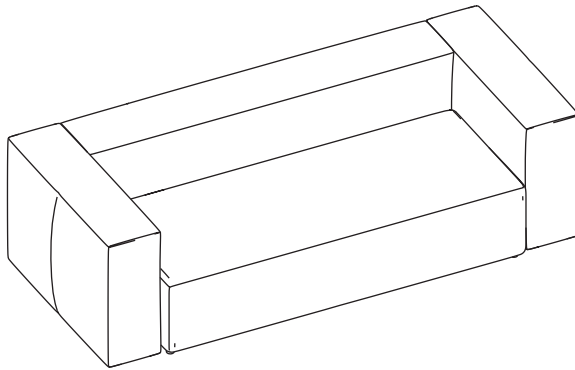
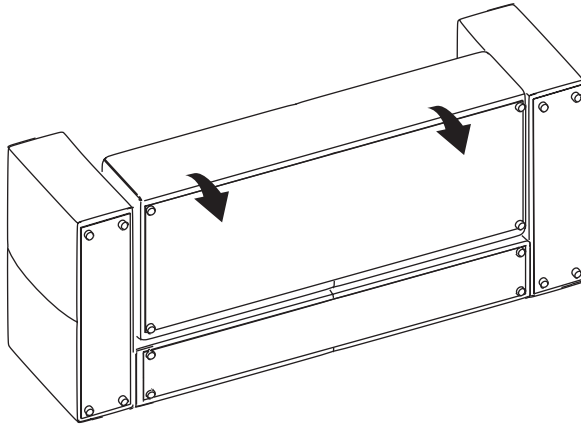
3





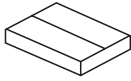


4





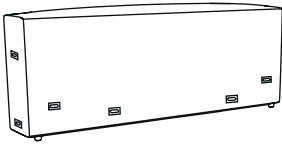
20 min



x4



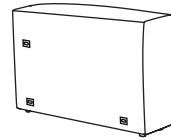
x2



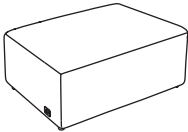
**A x1**



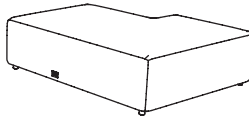
**B x1**



**C x1**



**D x1**



**E x1**



**F x16**  
M8x90 mm



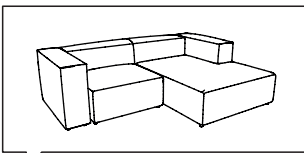
**G x32**



**H x16**

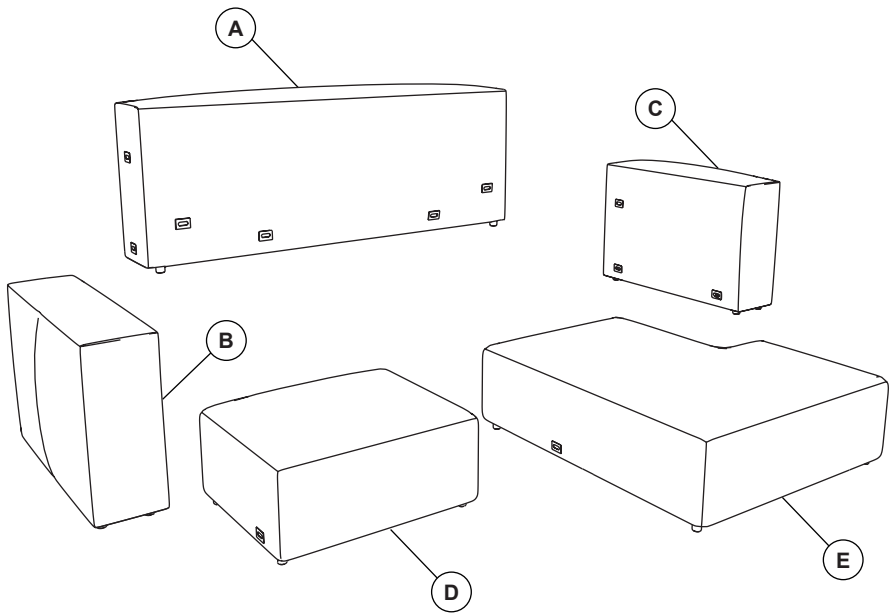


**I x1**  
5 mm



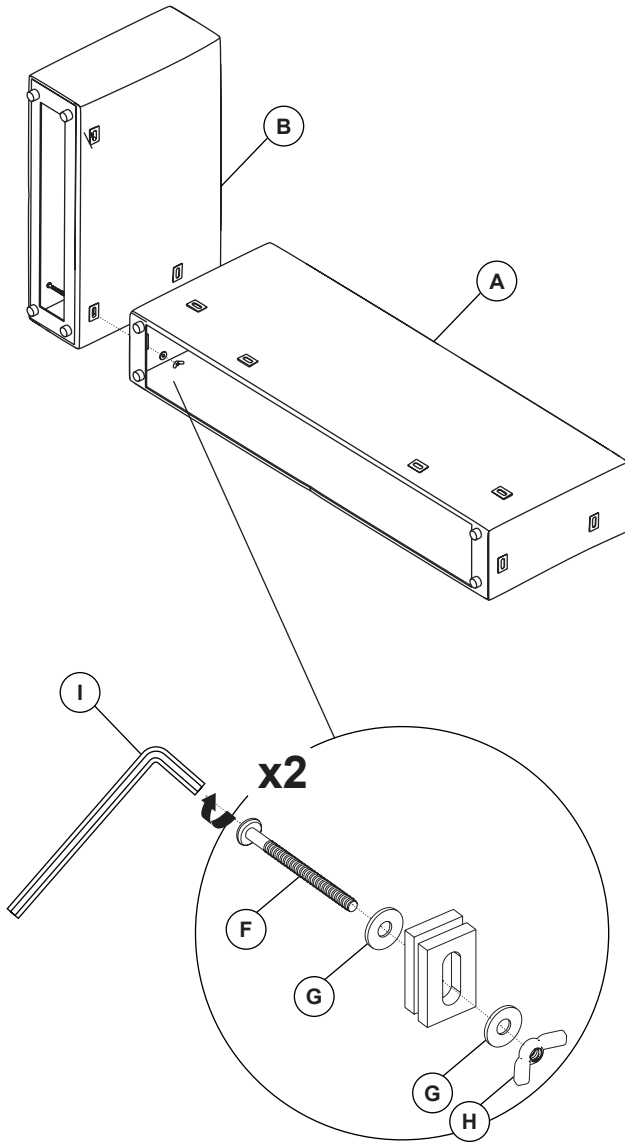


1



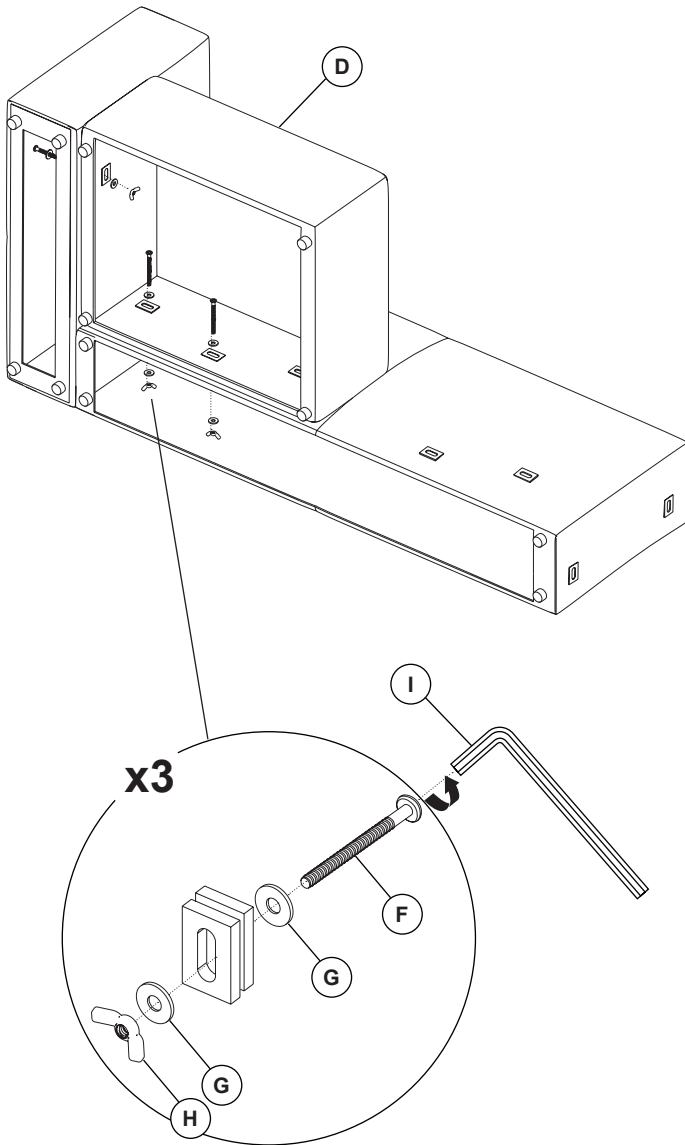


2



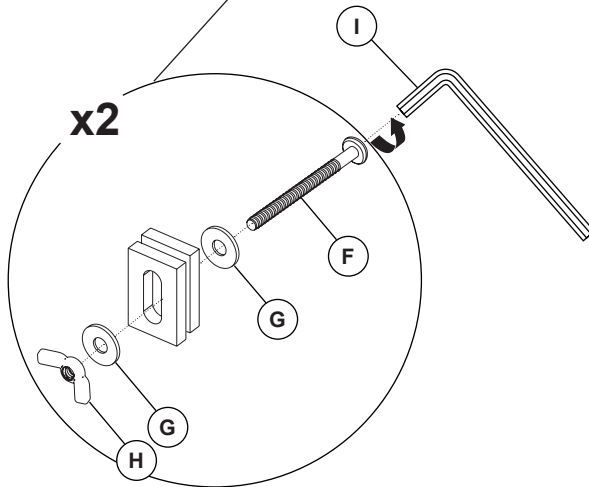
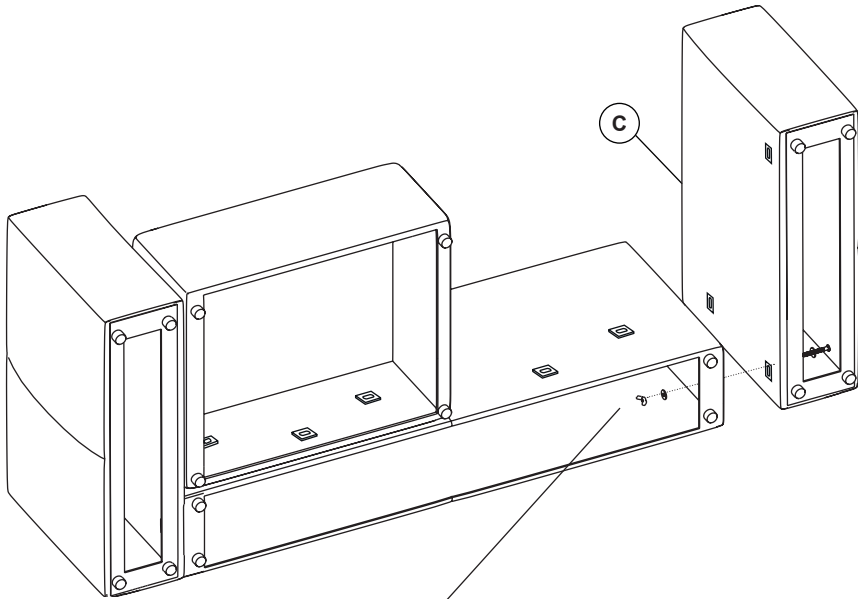


3



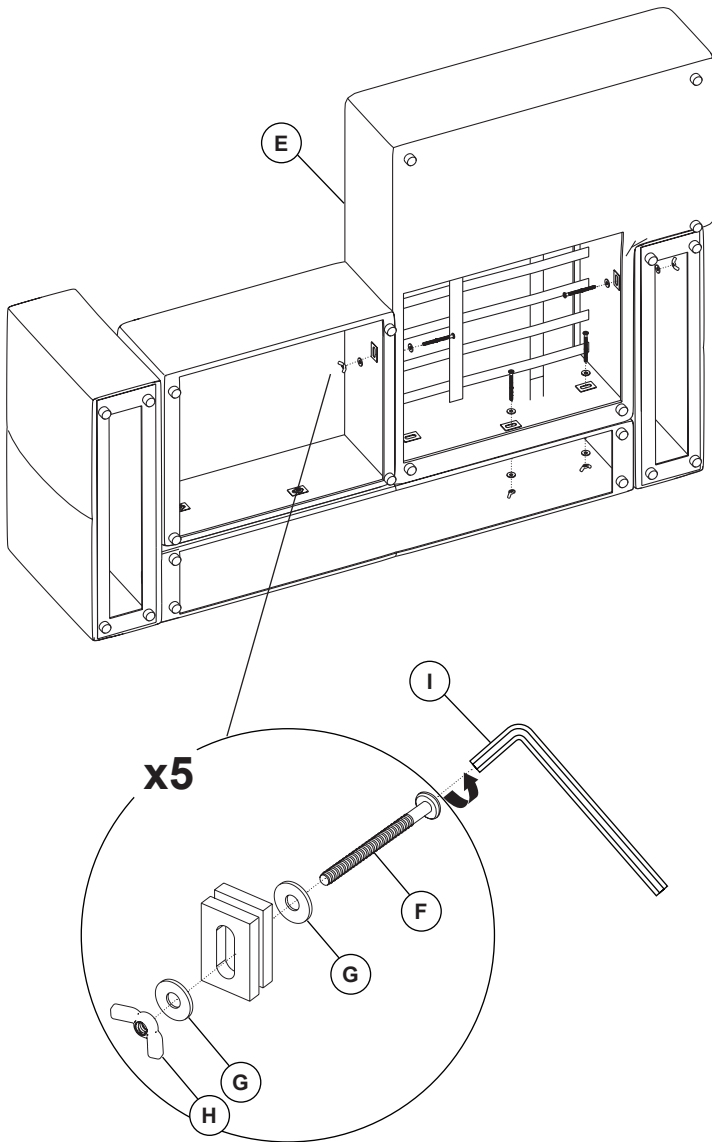


4



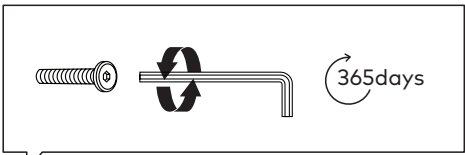
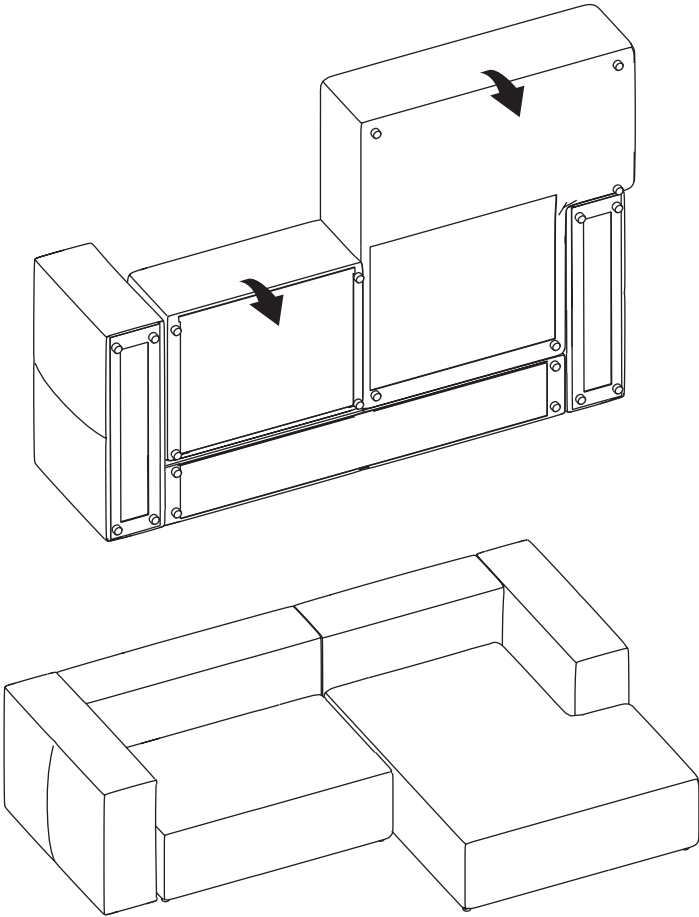


5





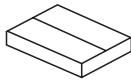
6







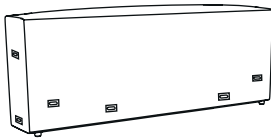
20 min



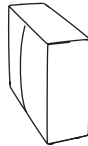
x5



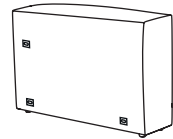
x2



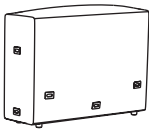
**A x1**



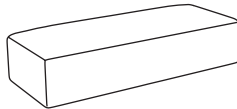
**B x1**



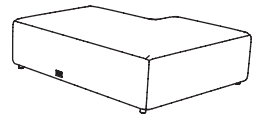
**C x1**



**D x1**



**E x1**



**F x1**



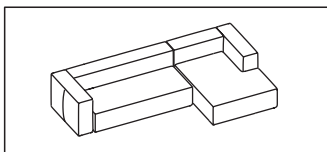
**G x16**  
M8x90 mm



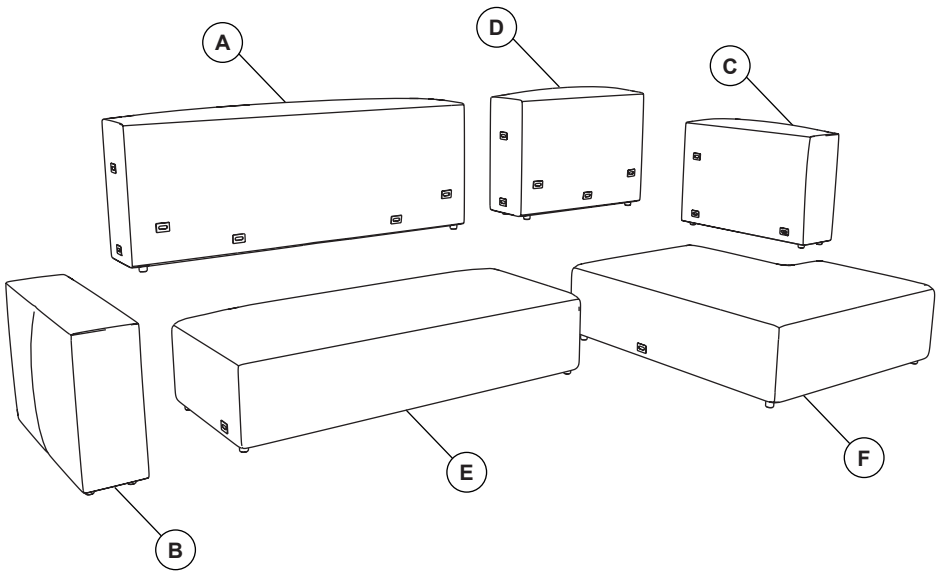
**H x16**



**I x1**  
5 mm

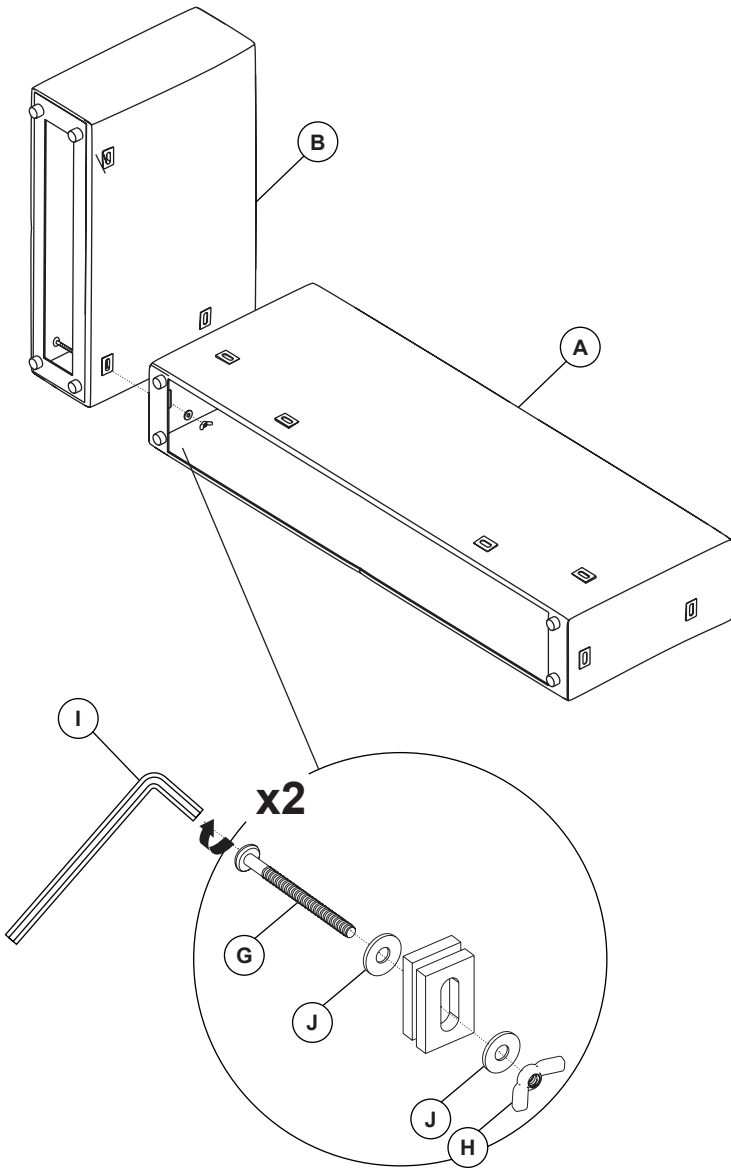


**J x32**



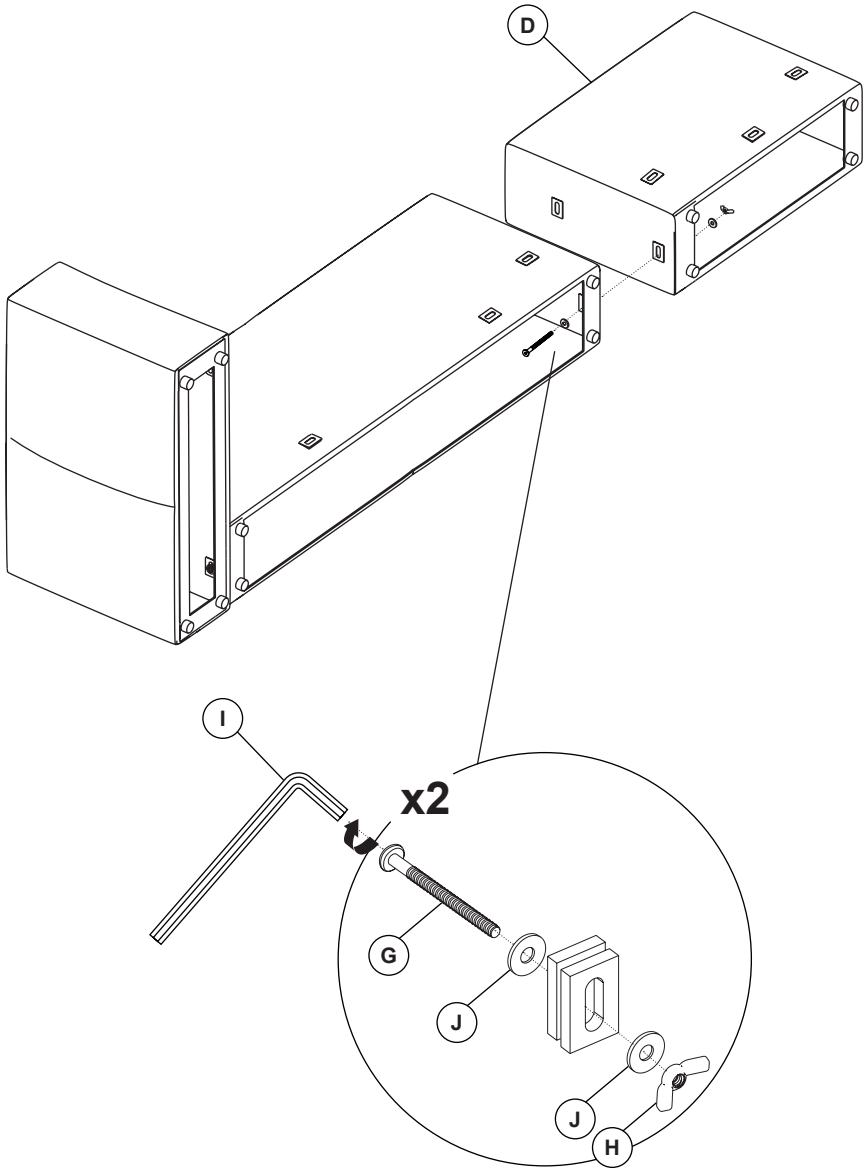


1



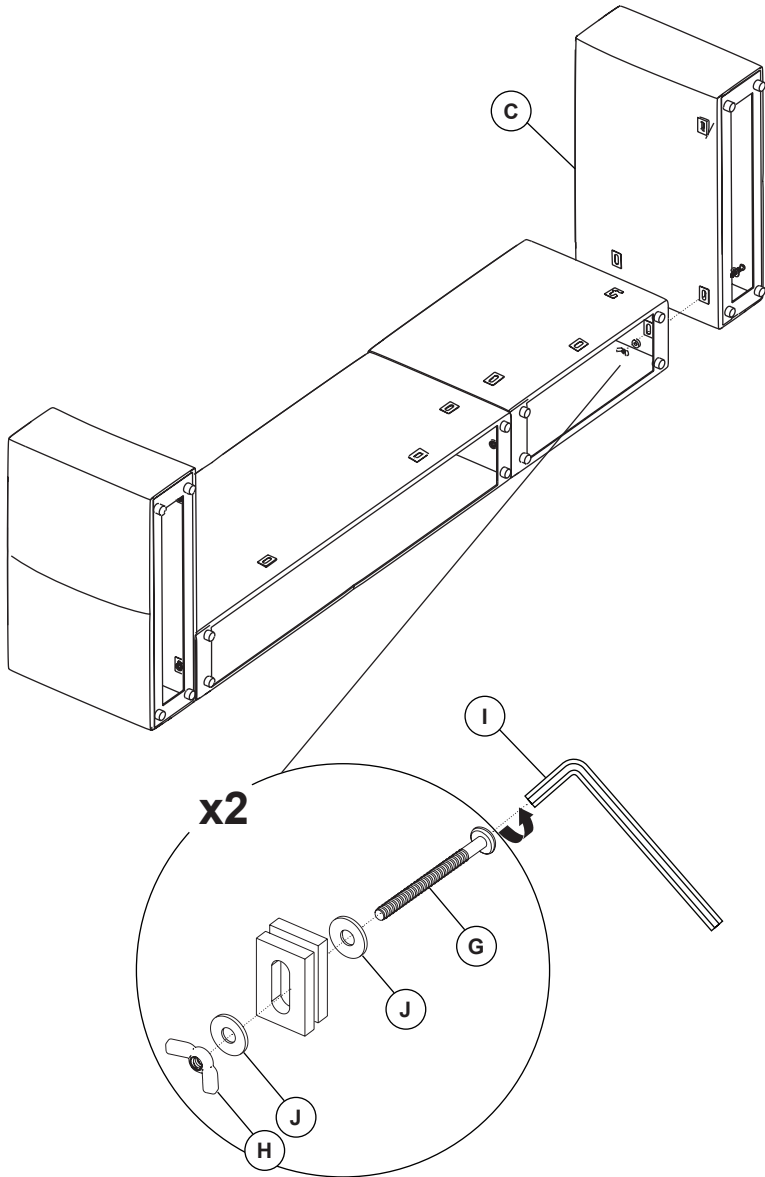


2



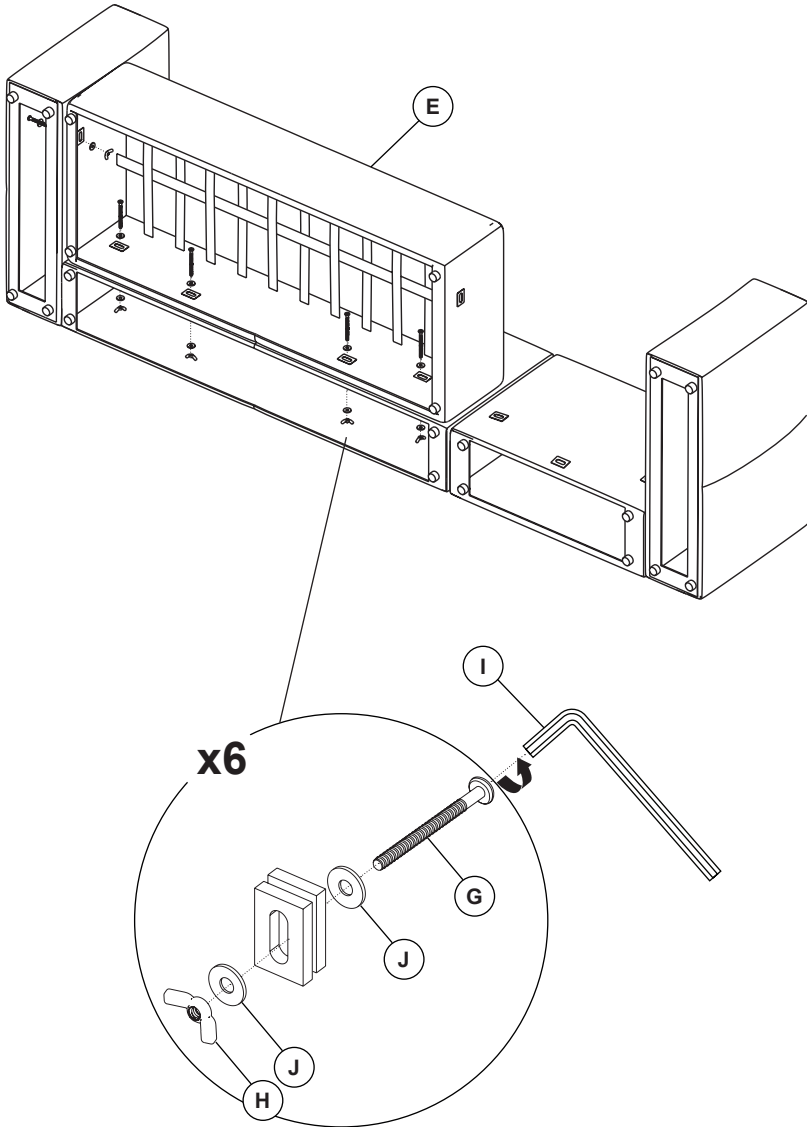


3



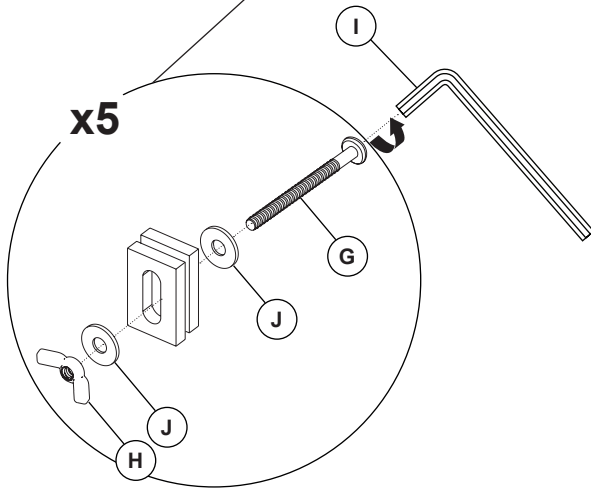
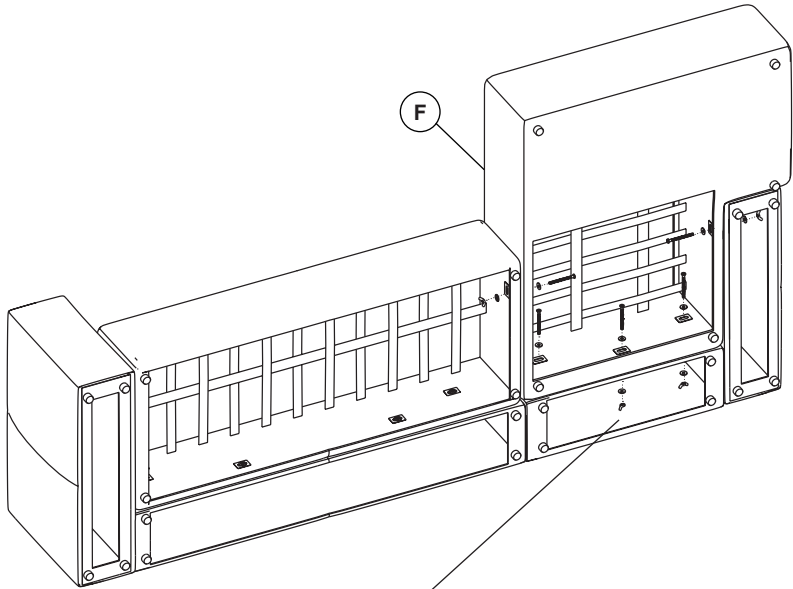


4



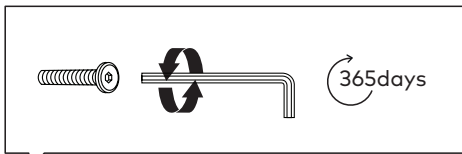
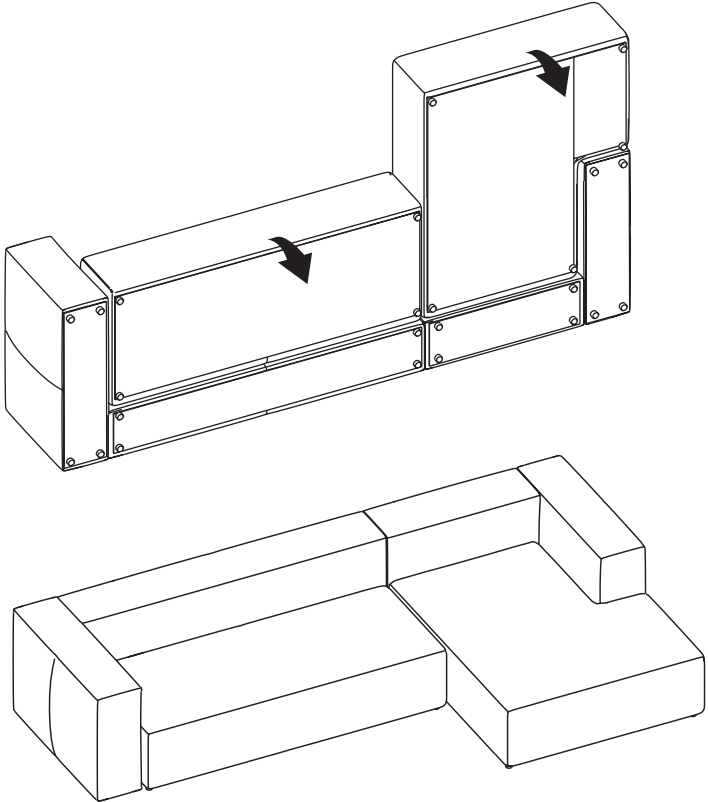


5





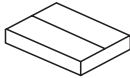
6







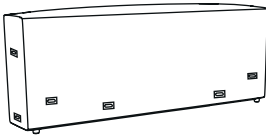
20 min



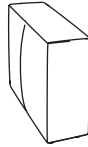
x6



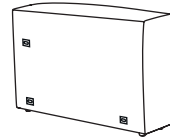
x2



**A** x1



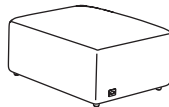
**B** x1



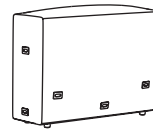
**C** x1



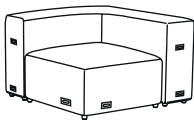
**D** x1



**E** x1



**F** x1



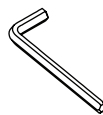
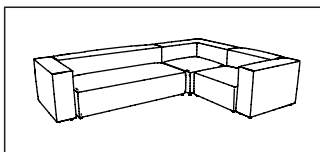
**G** x1



**H** x24  
M8x90 mm



**I** x24

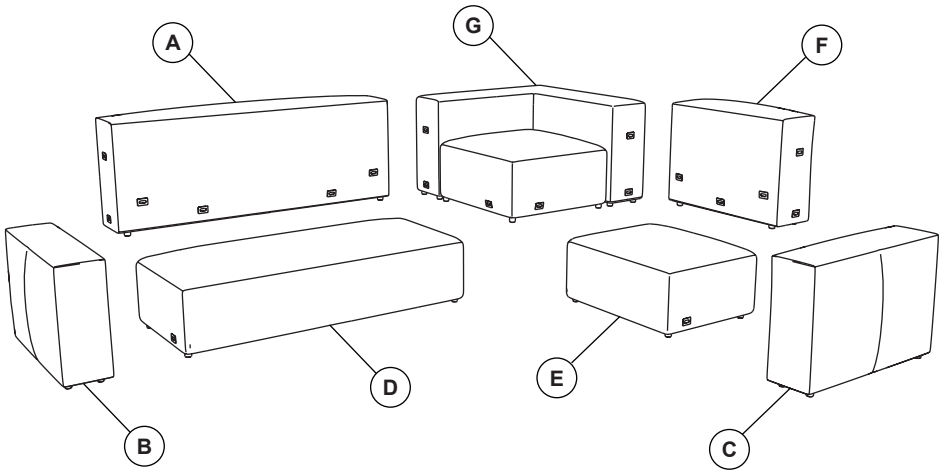


**J** x1  
5 mm



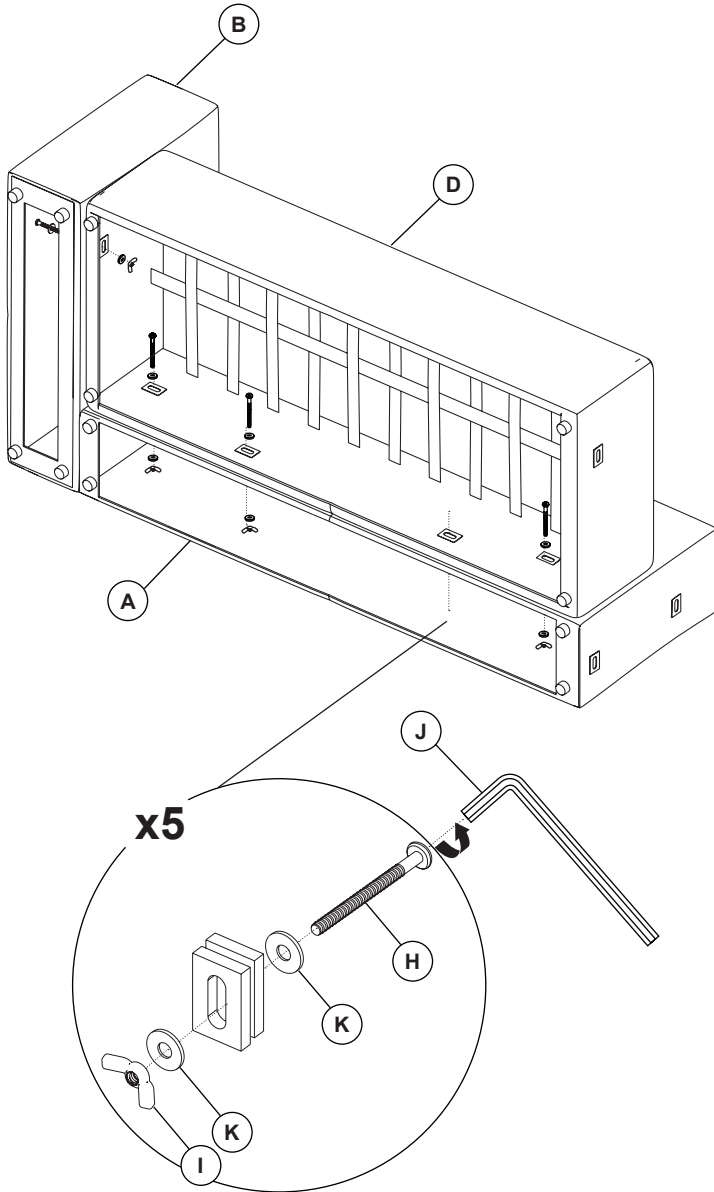
**K** x48





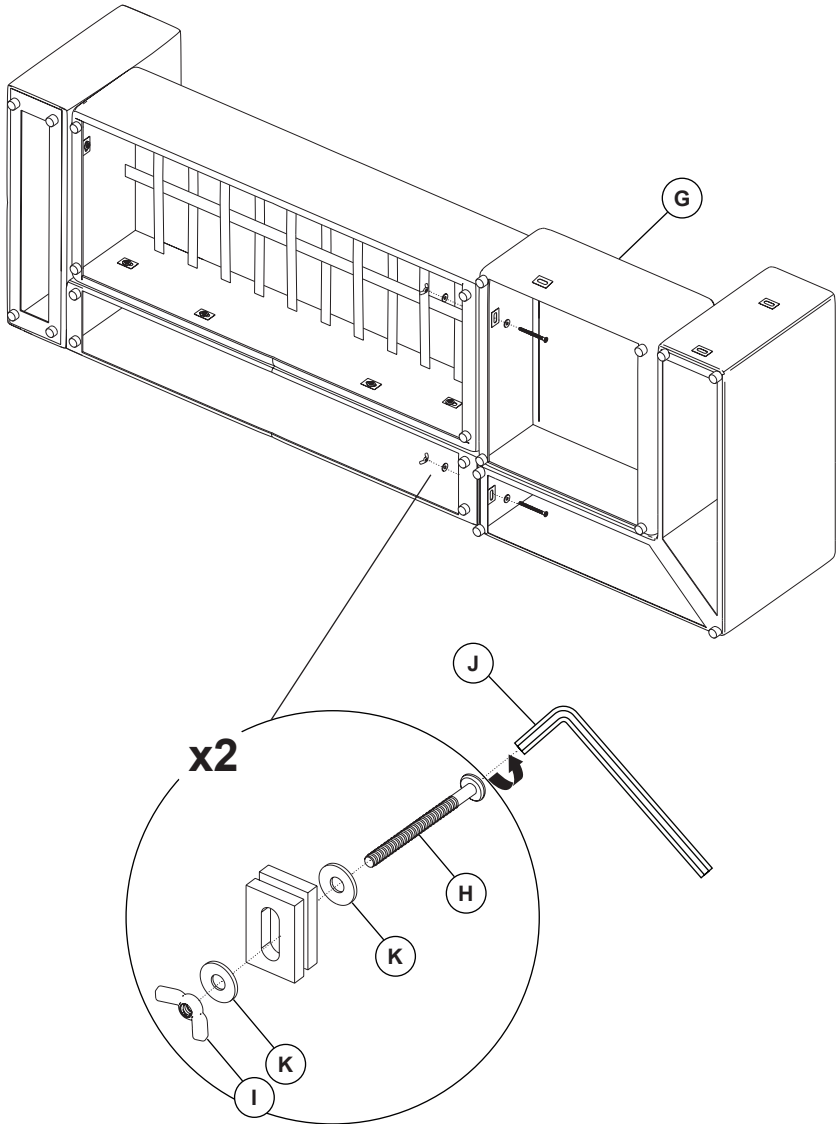


1



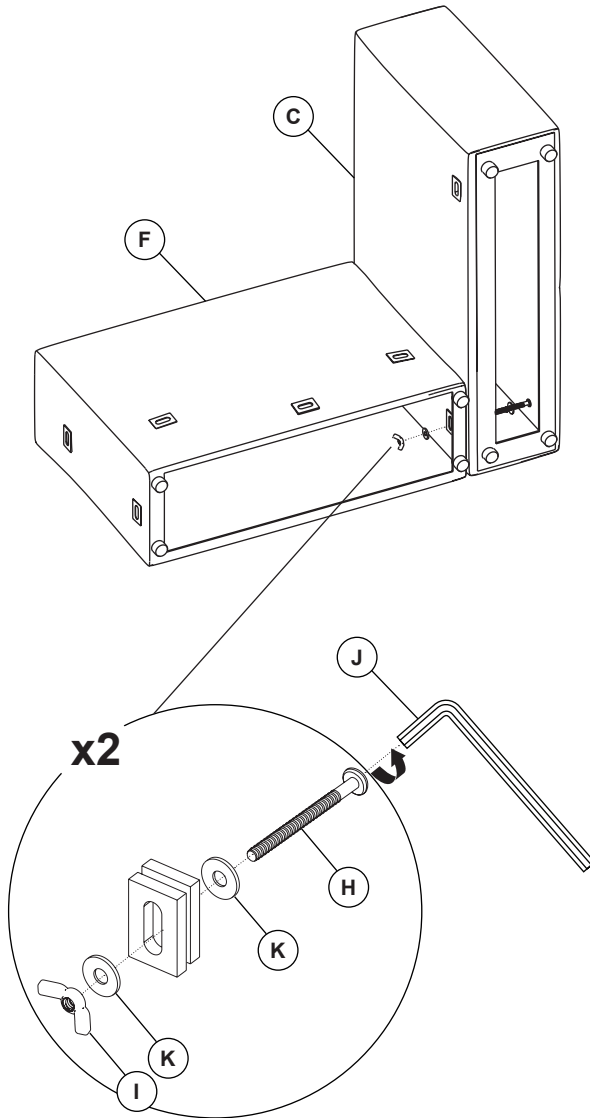


2



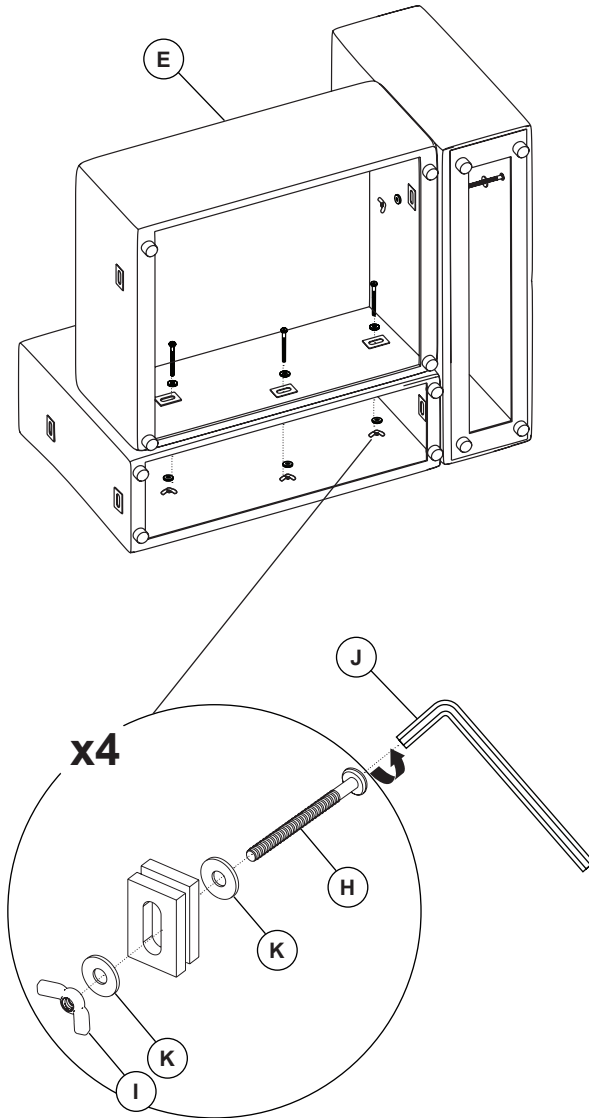


3



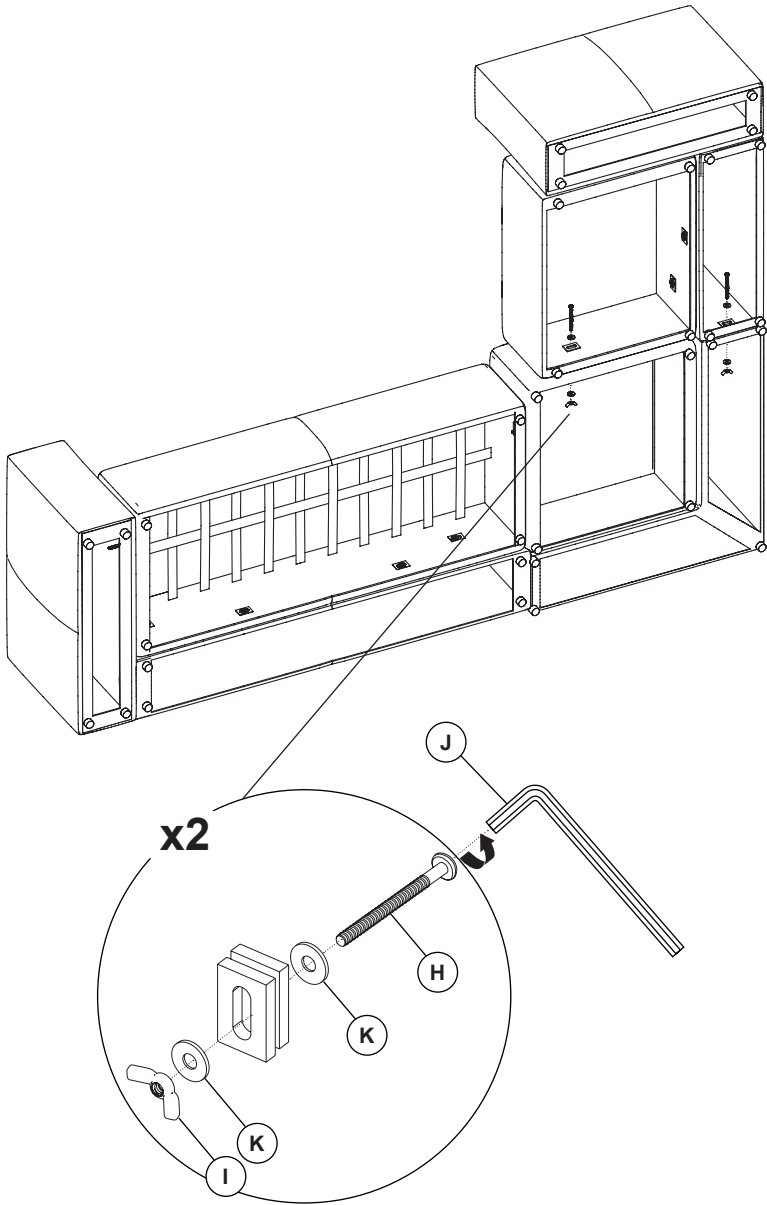


4



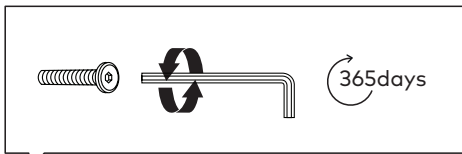
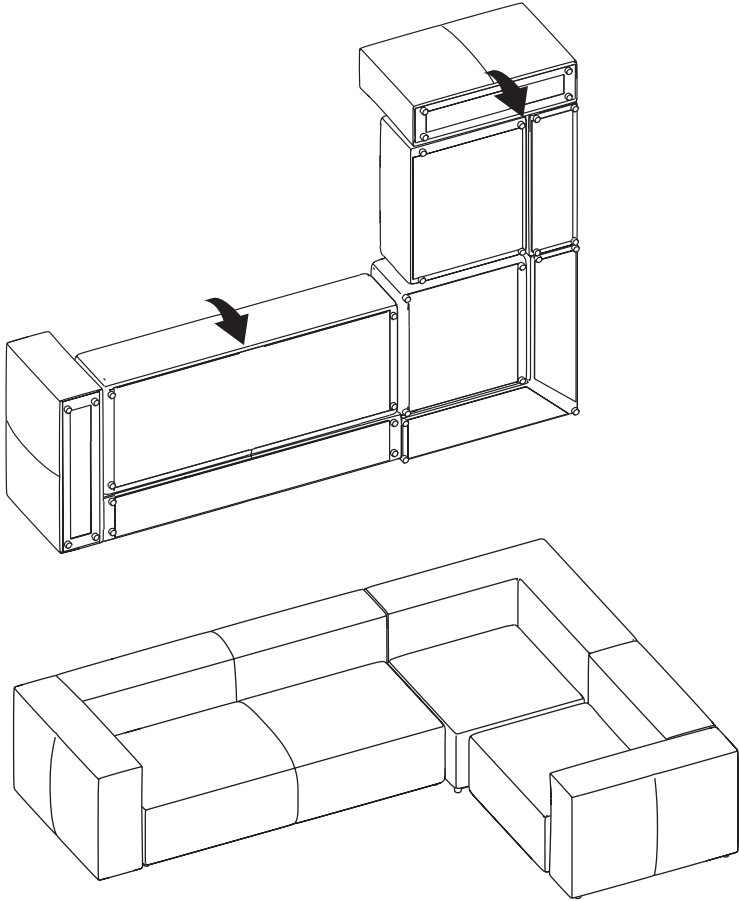


5





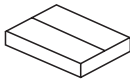
6







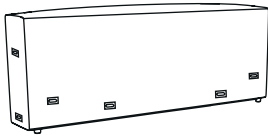
20 min



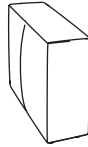
x6



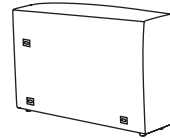
x2



**A** x2



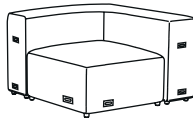
**B** x1



**C** x1



**D** x2



**E** x1



**F** x24  
M8x90 mm



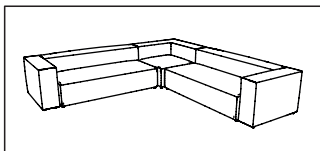
**G** x24

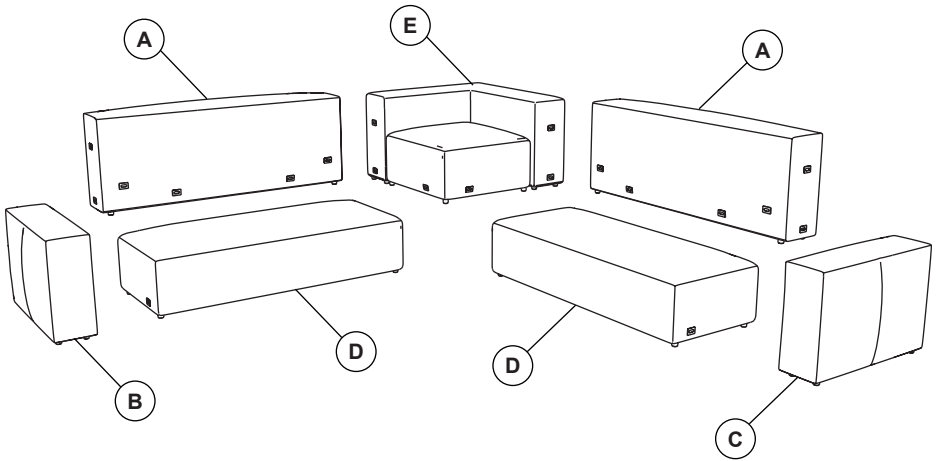


**H** x48  
M8x90 mm



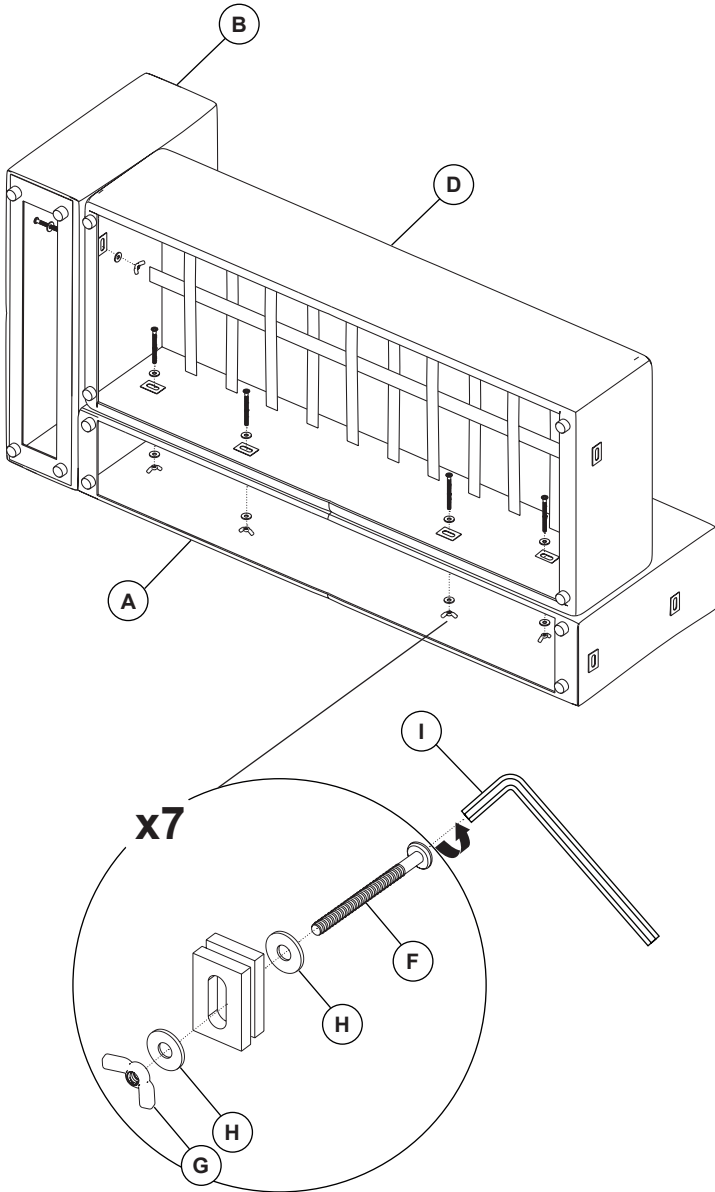
**I** x1  
5 mm





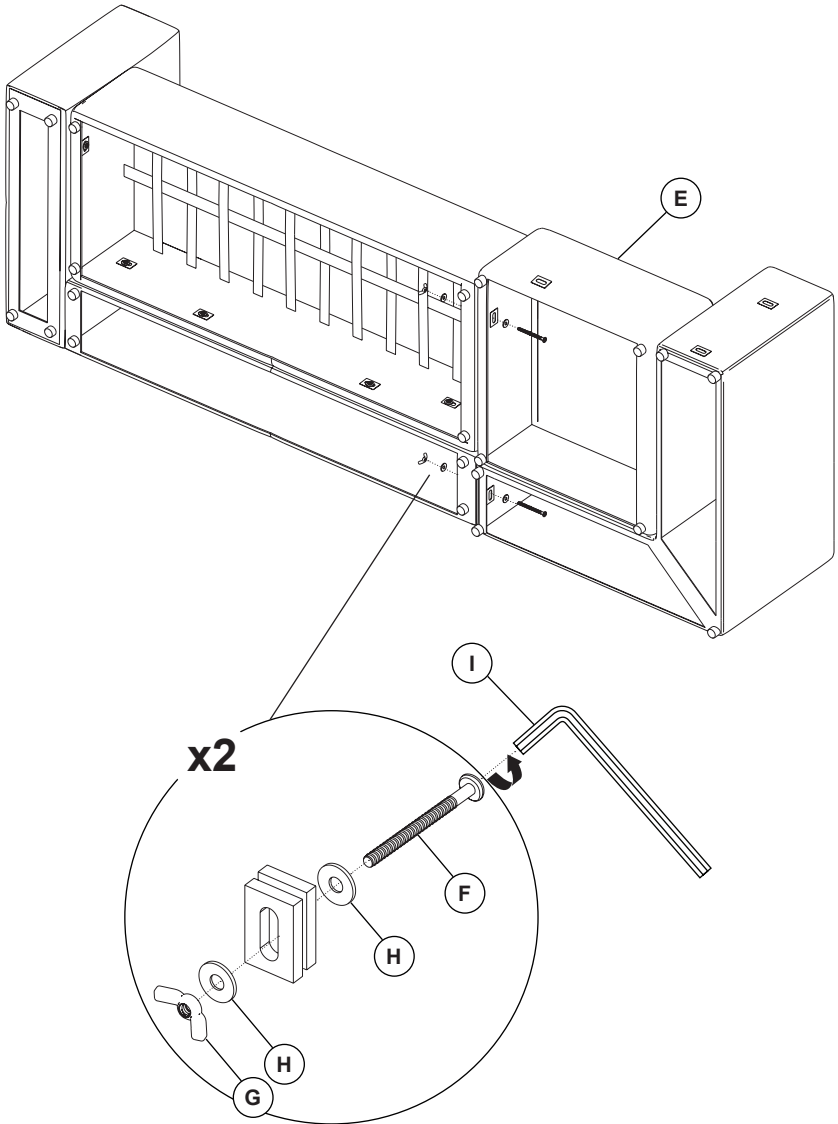


1



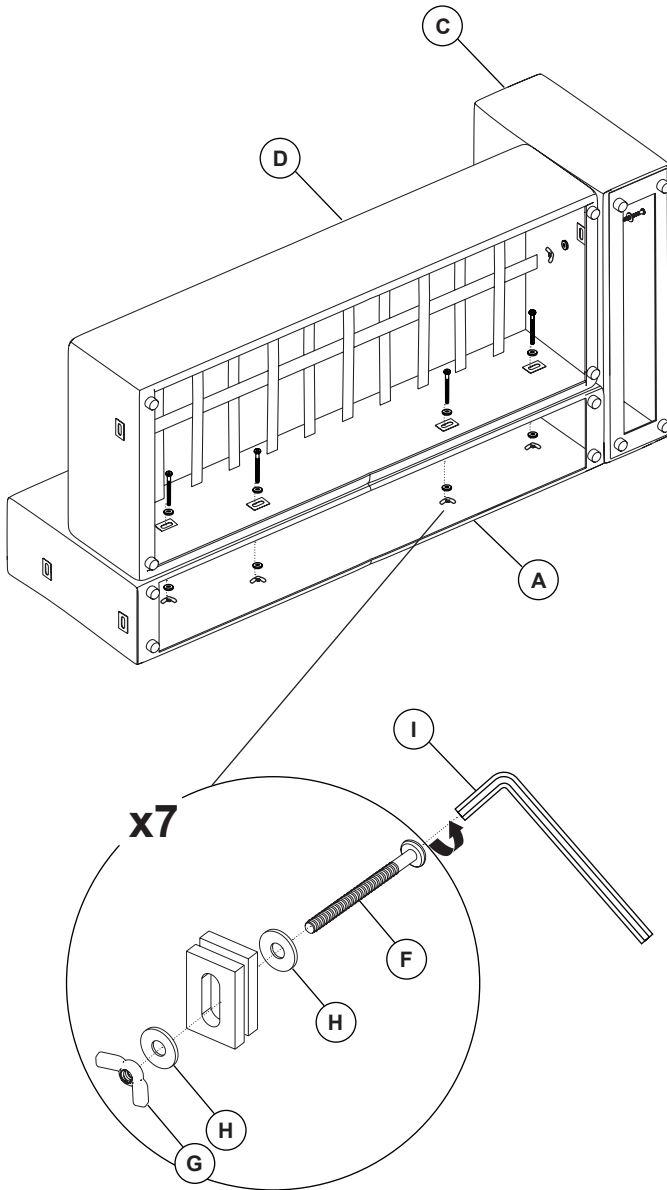


2



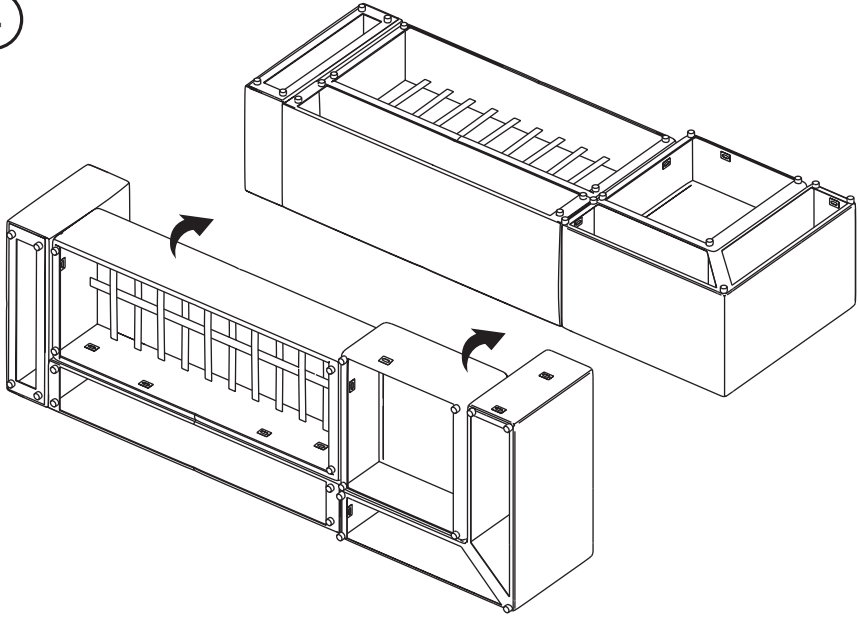


3

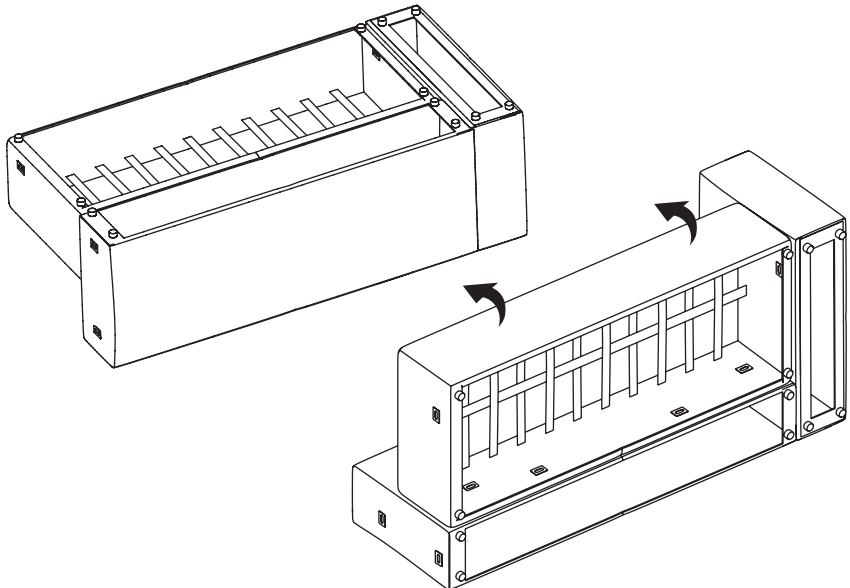




4

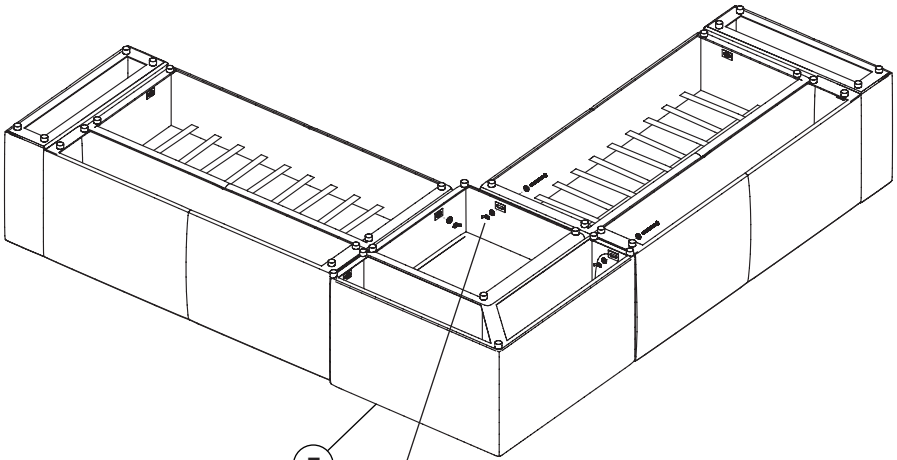


5

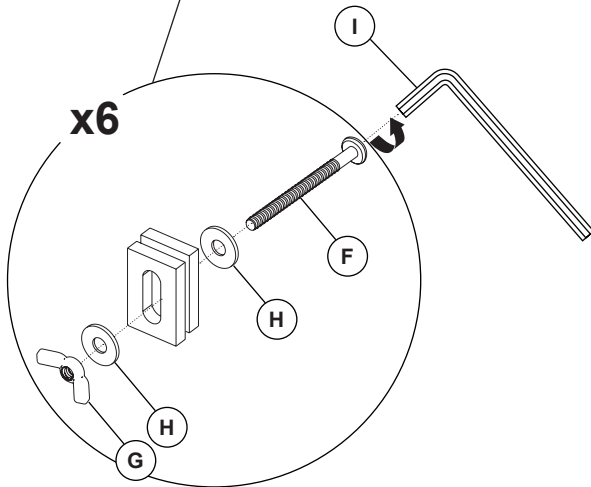




6



E



x6

I

F

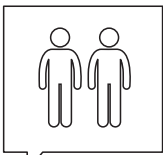
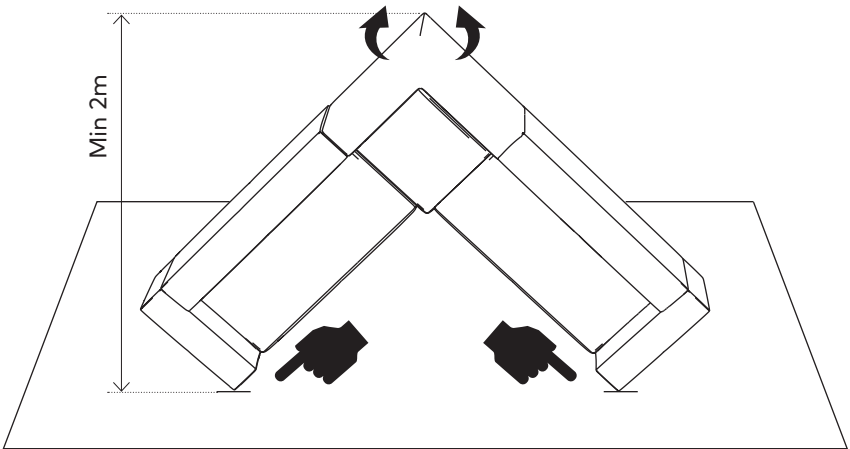
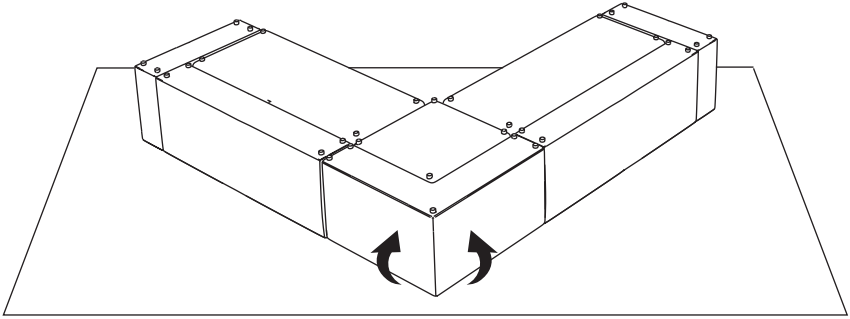
H

H

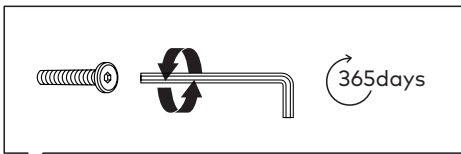
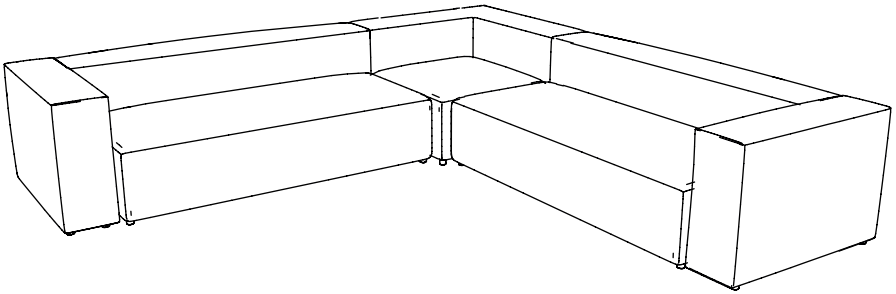
G



7







**THAT'S ALL FOLKS!**