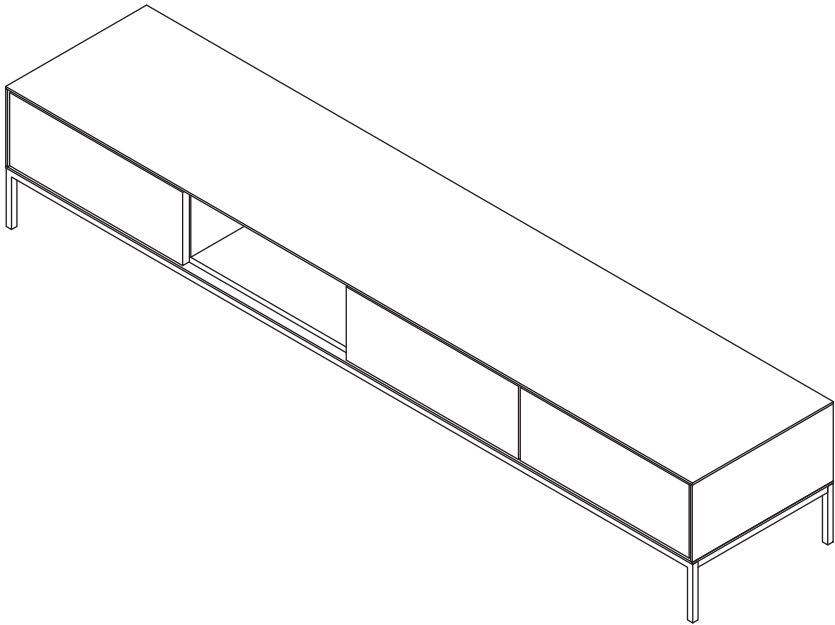
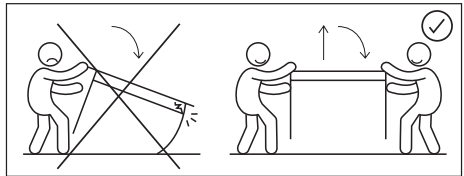
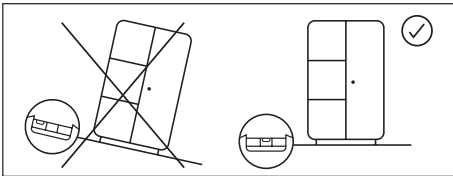
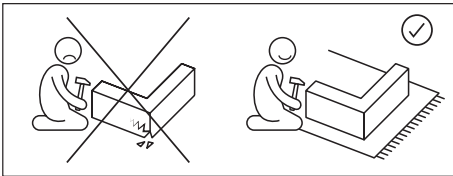
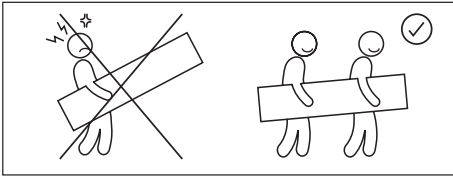


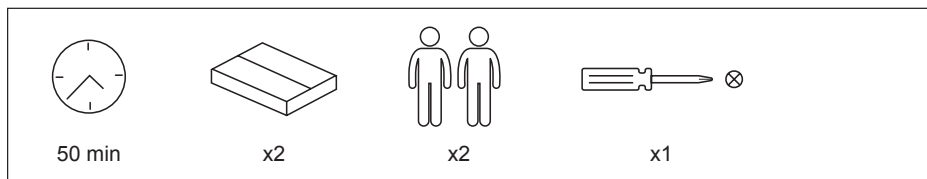


Vedrana





VEDRANA



Ax1(m4)



Bx36(ø15x12)



Cx12(M6x45)



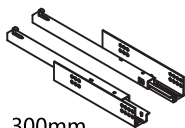
Dx12(ø6x80)



Ex12(ø8x30)



Fx35(ø3.5x16)



300mm

G=3 SET



Hx8(M6x10)



Ix12(M6x15)



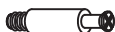
Jx 11



Kx12(ø6x25)



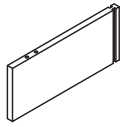
Lx24



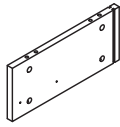
Mx24(M6x43)



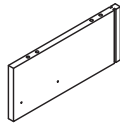
Nx12



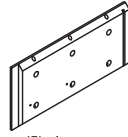
(1)x1



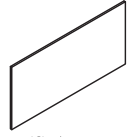
(2)x1



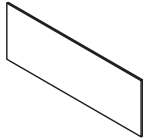
(3)x1



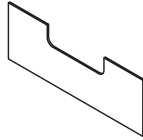
(5)x1



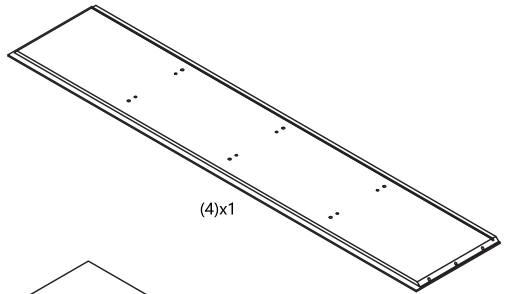
(6)x1



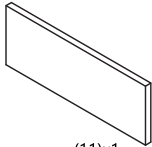
(7)x3



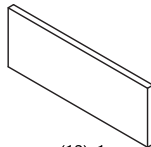
(8)x1



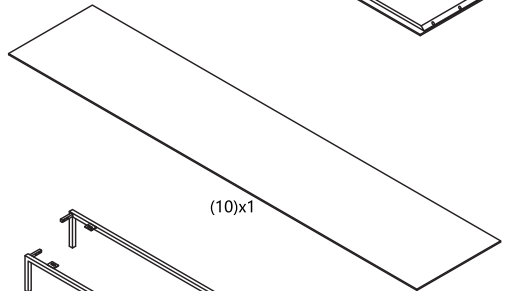
(4)x1



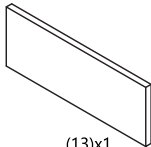
(11)x1



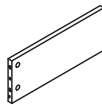
(12)x1



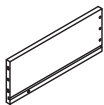
(10)x1



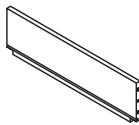
(13)x1



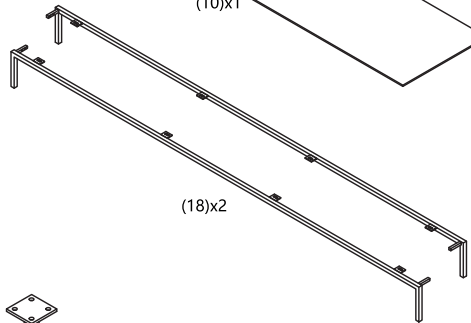
(14)x3



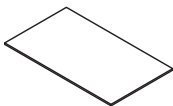
(15)x3



(16)x3



(18)x2



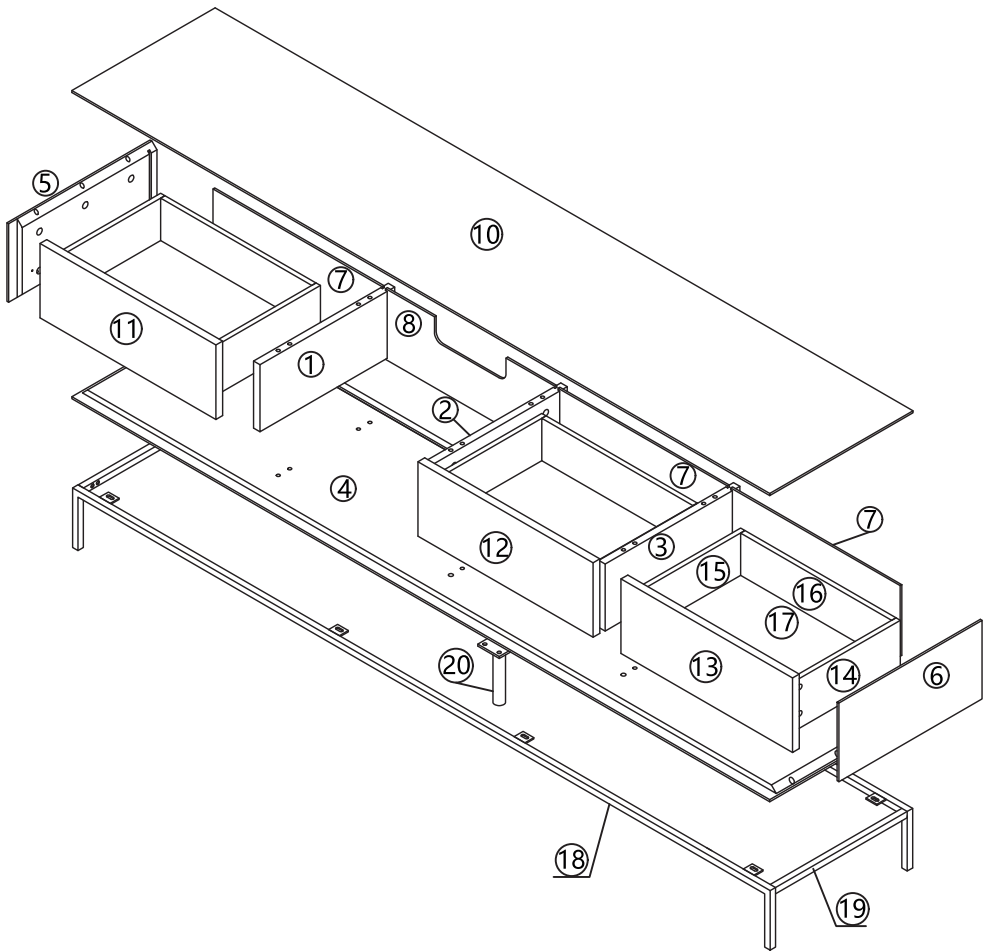
(17)x3



(19)x2

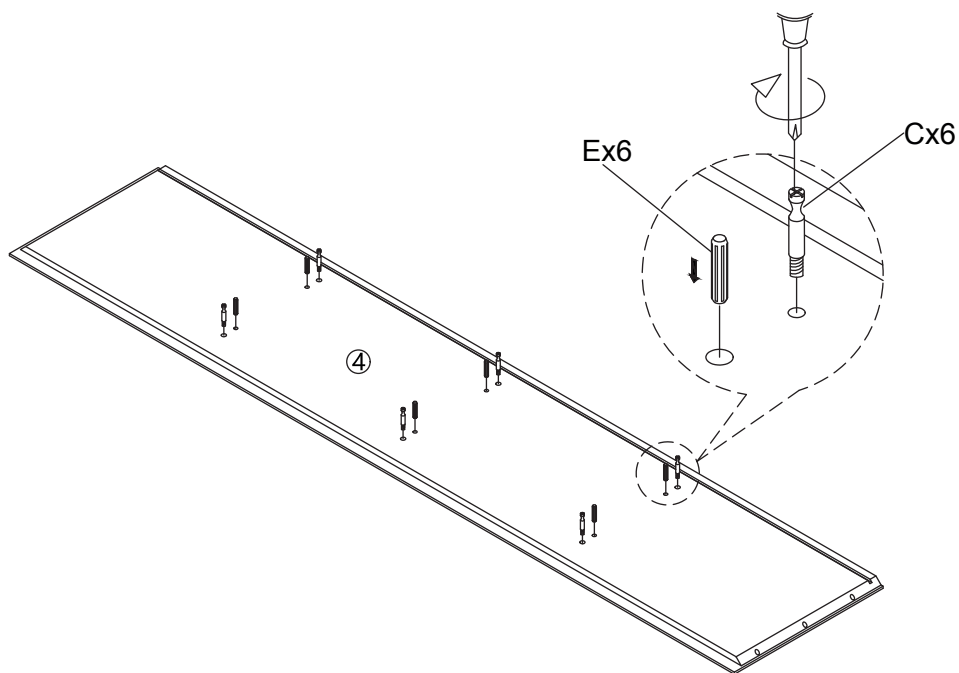


(20)x1

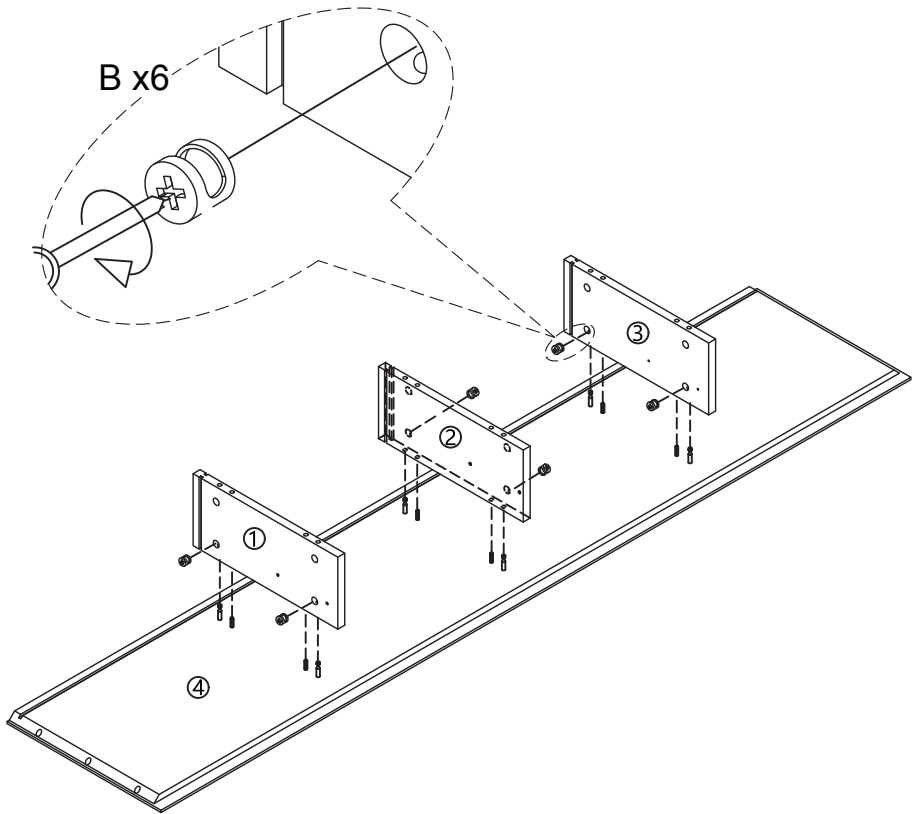




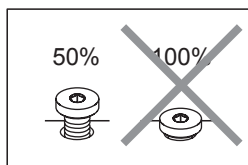
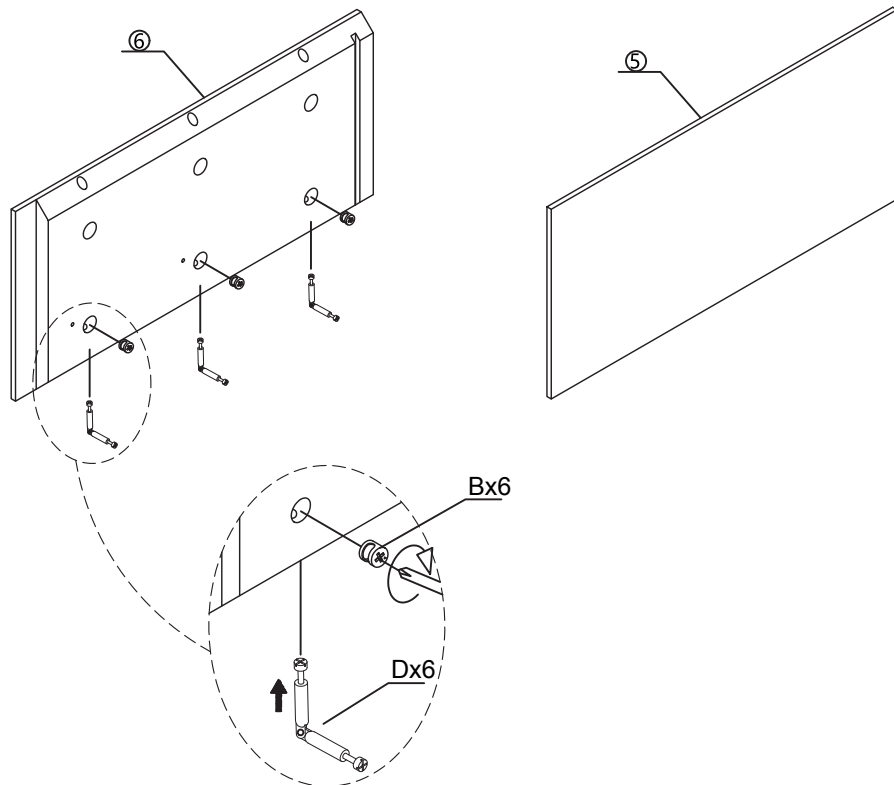
1

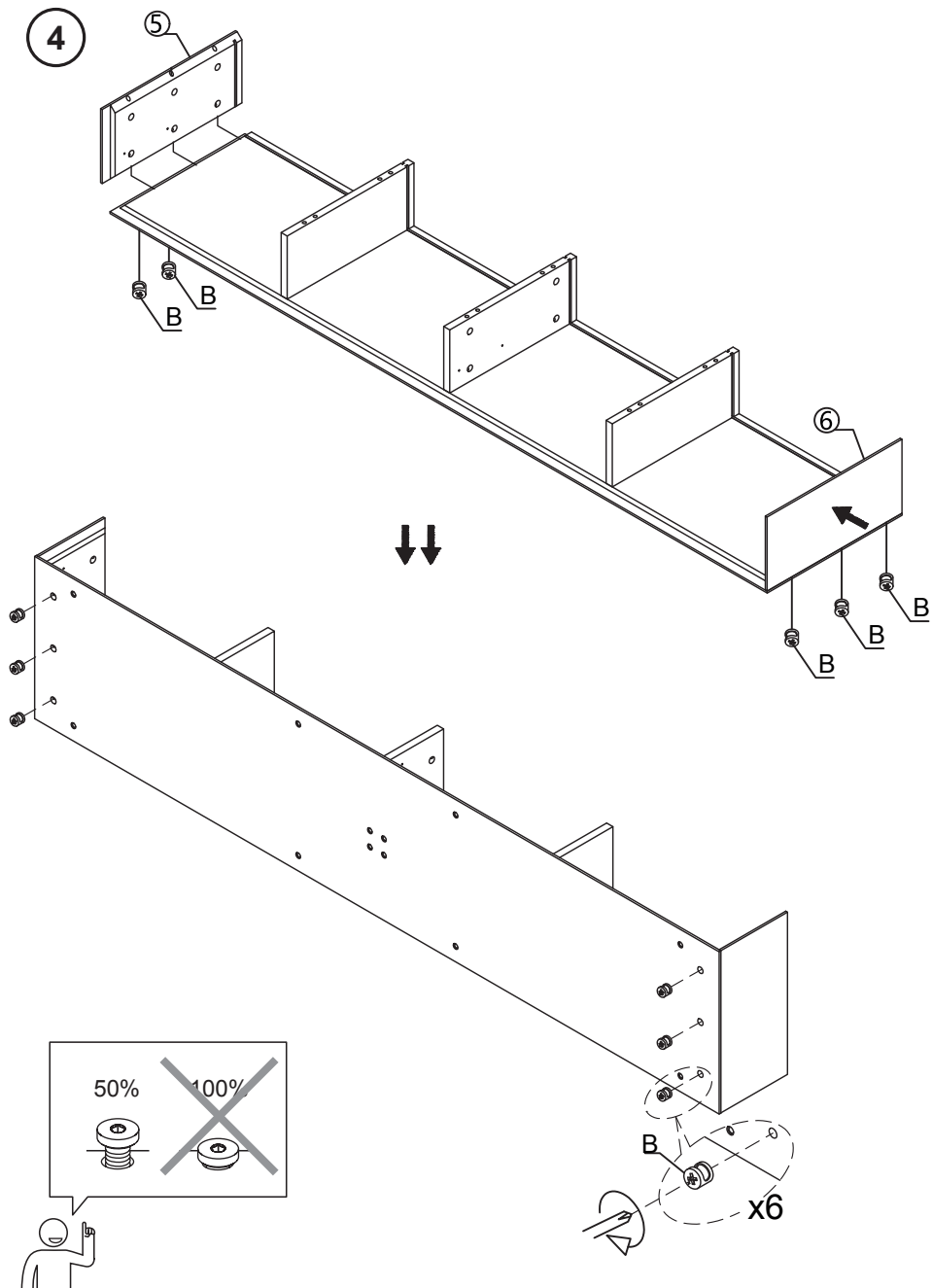


2



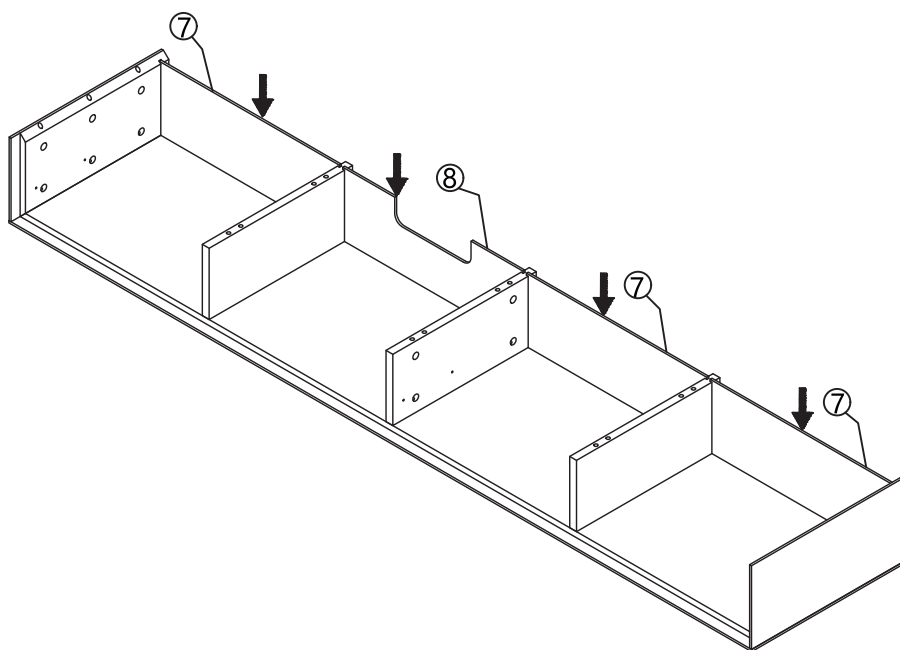
3



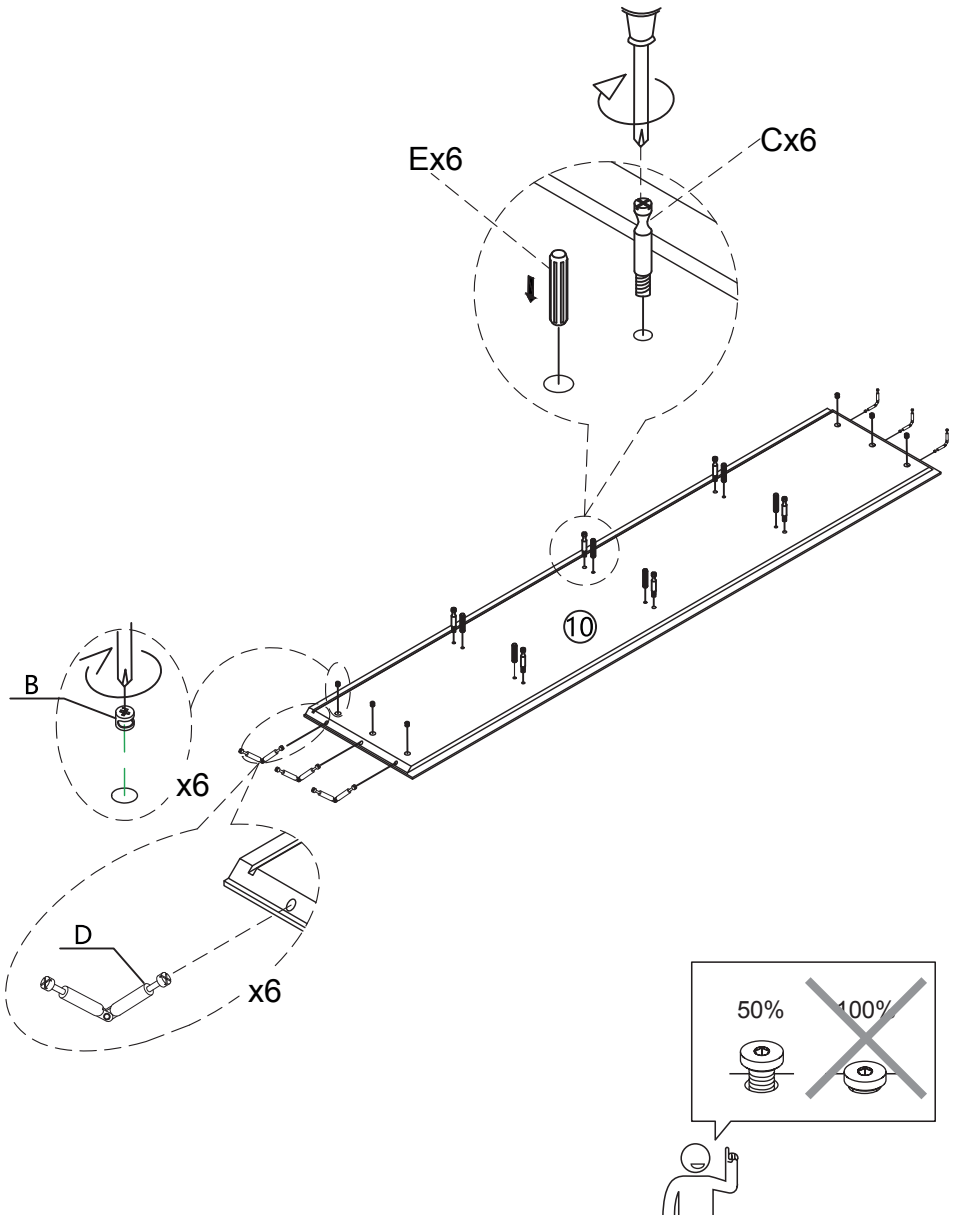




5

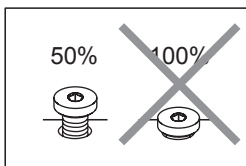
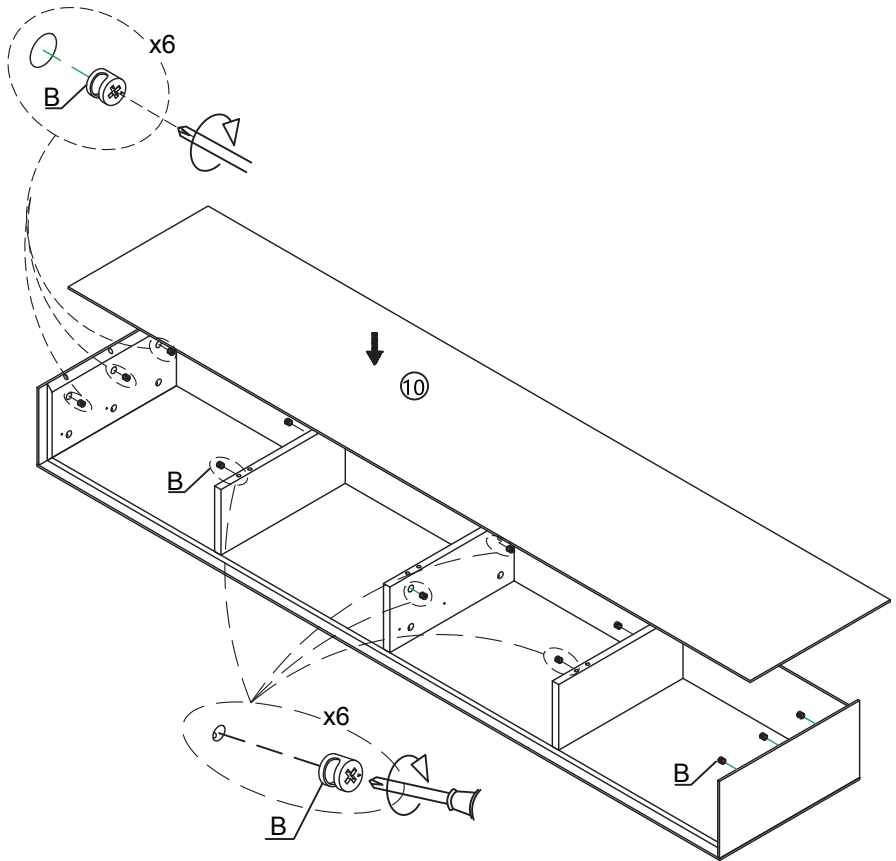


6

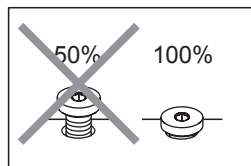
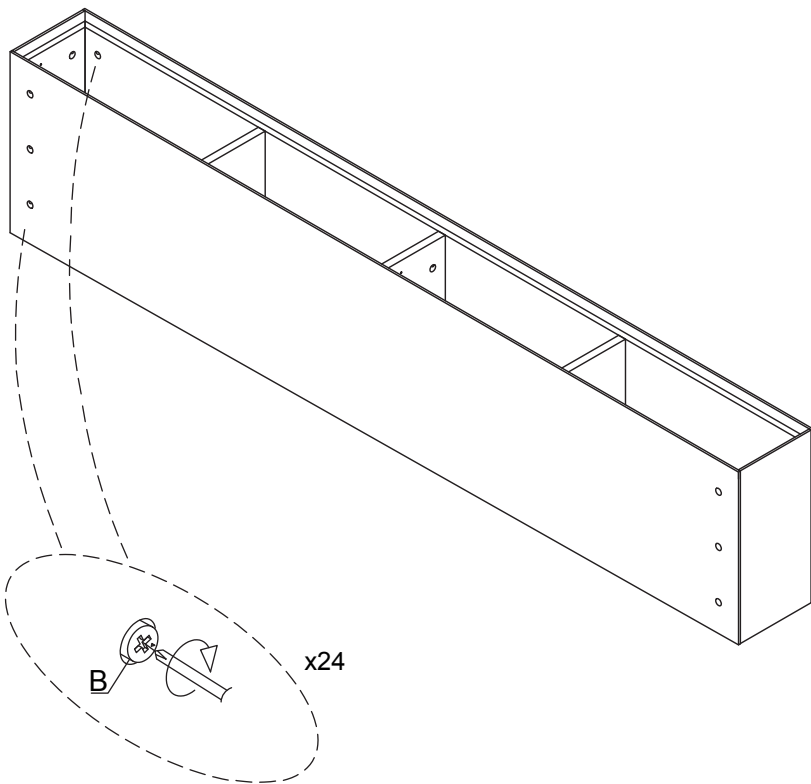




7

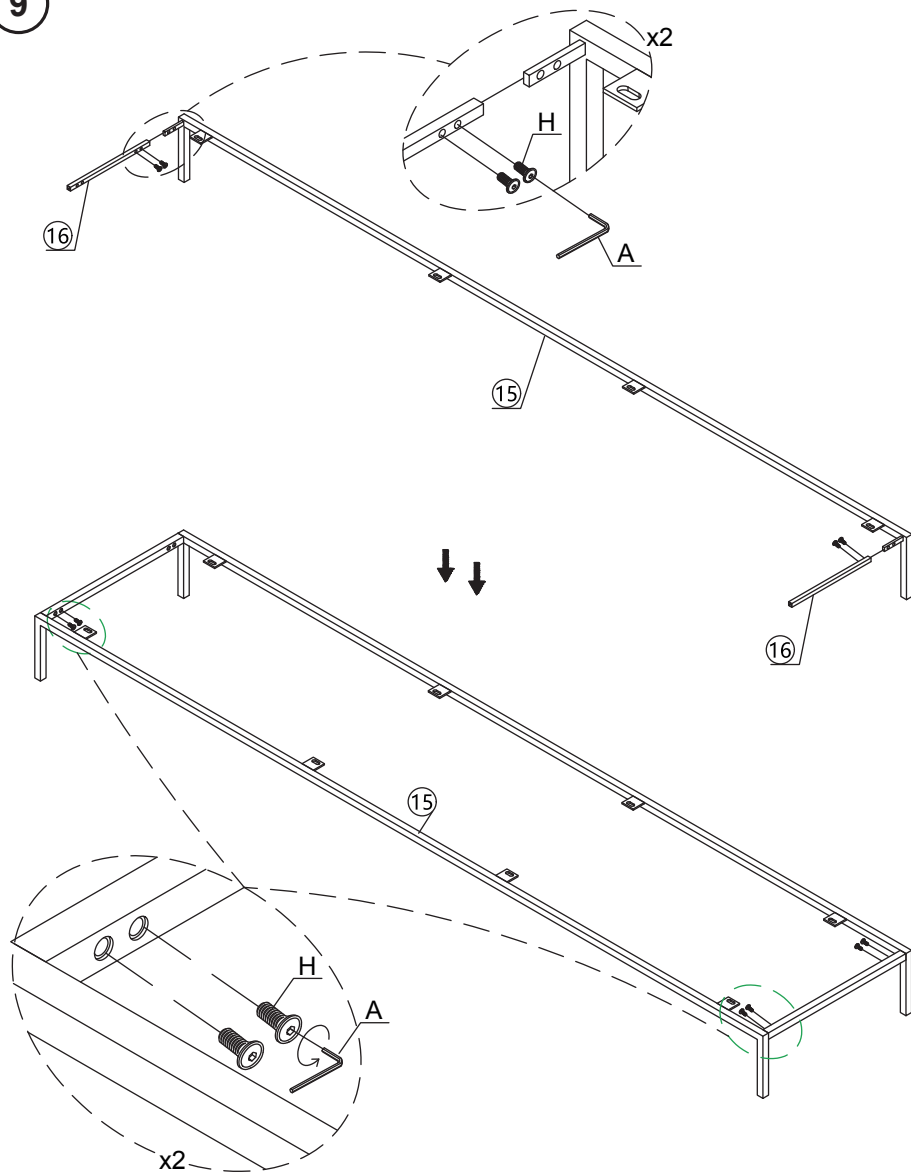


8

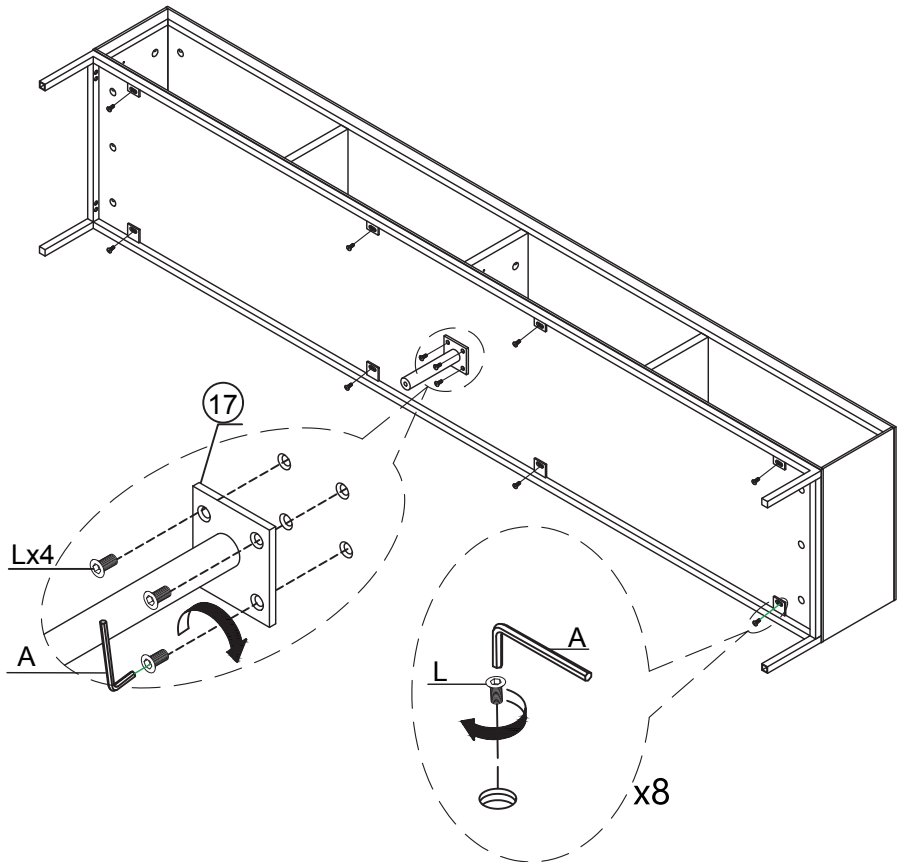




9

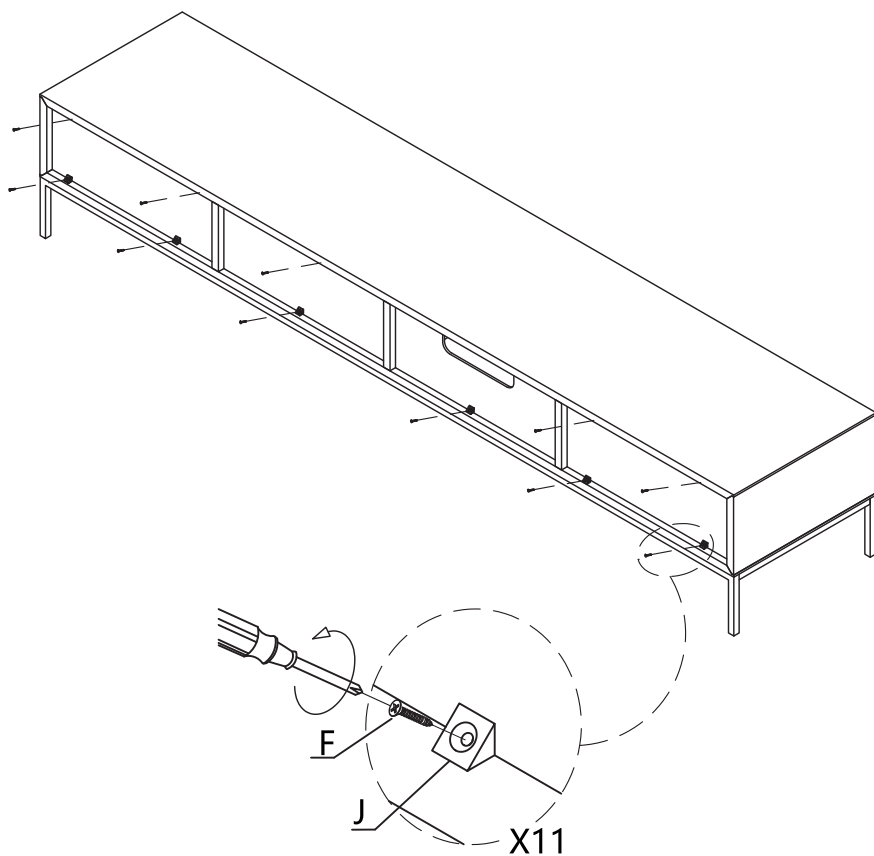


10

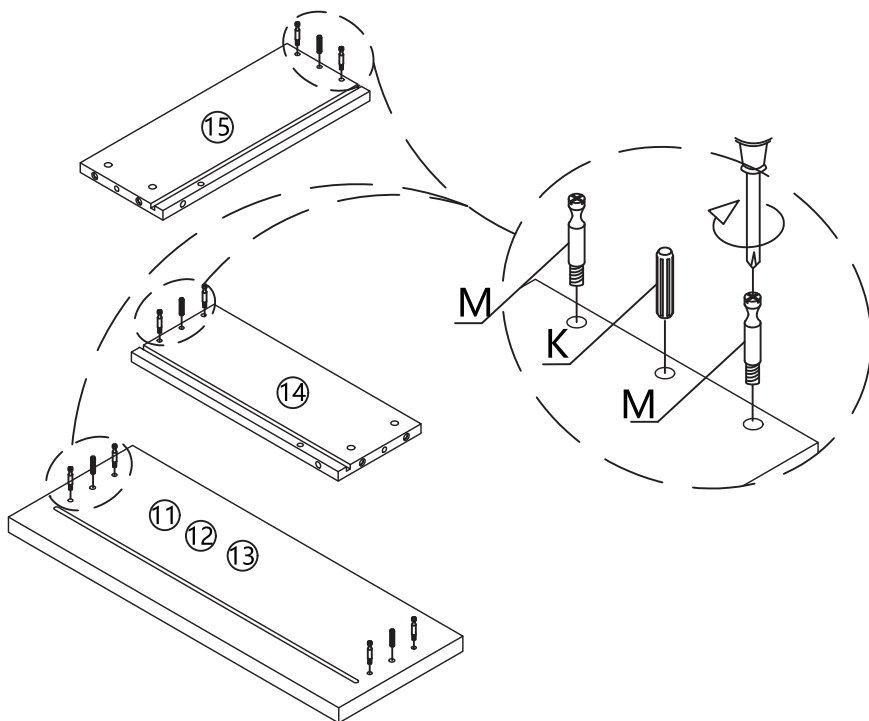




11



12

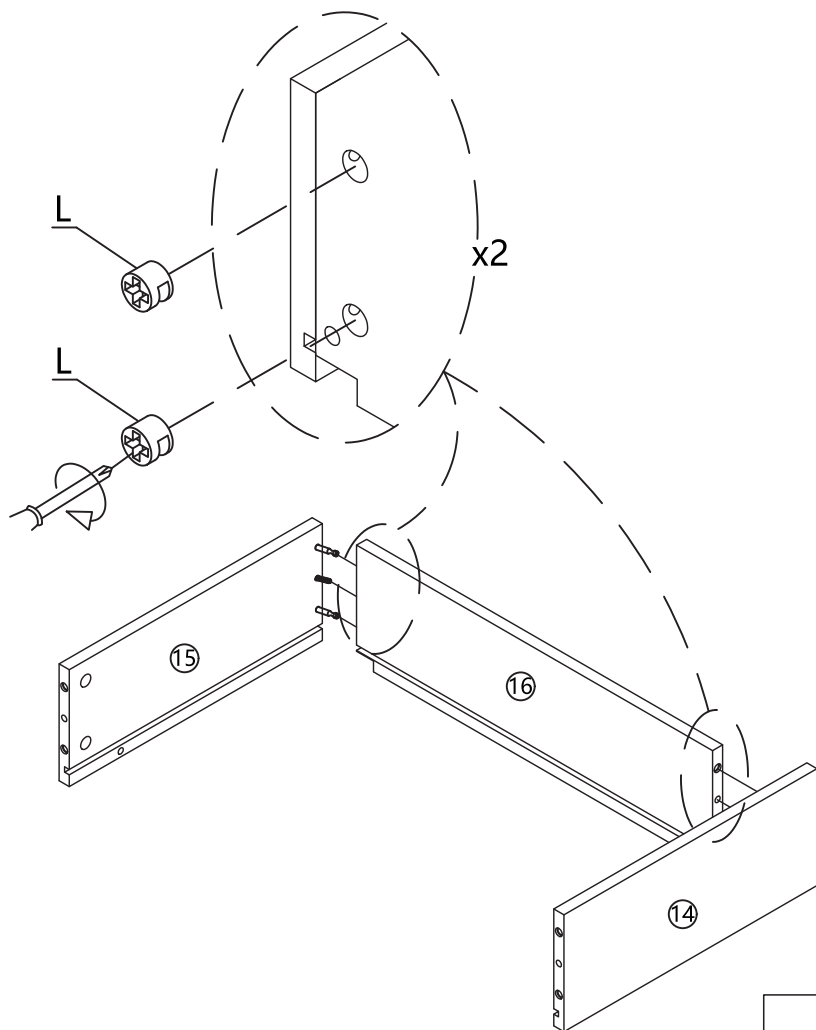


x3





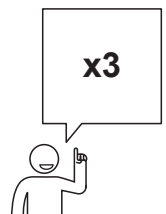
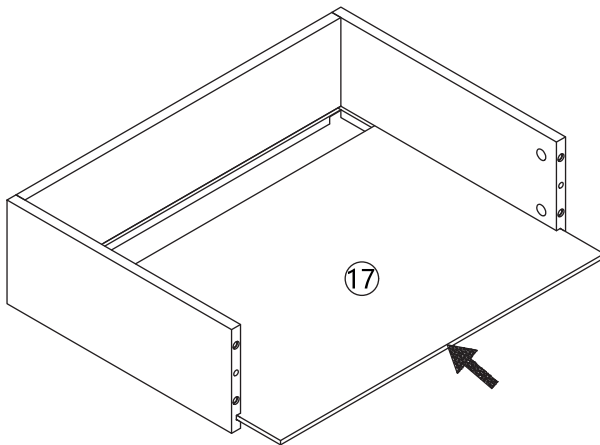
13



x3

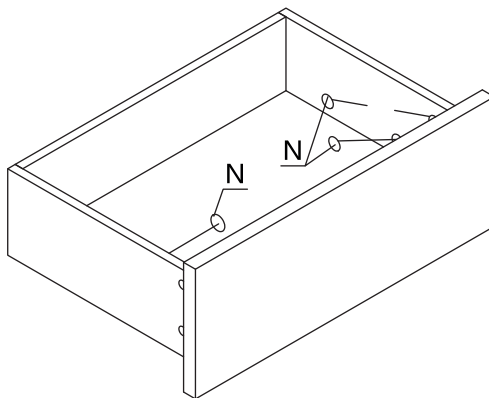
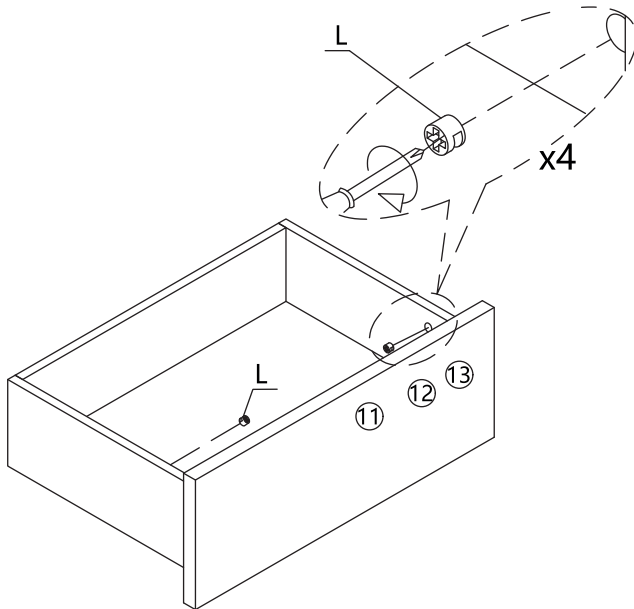


14





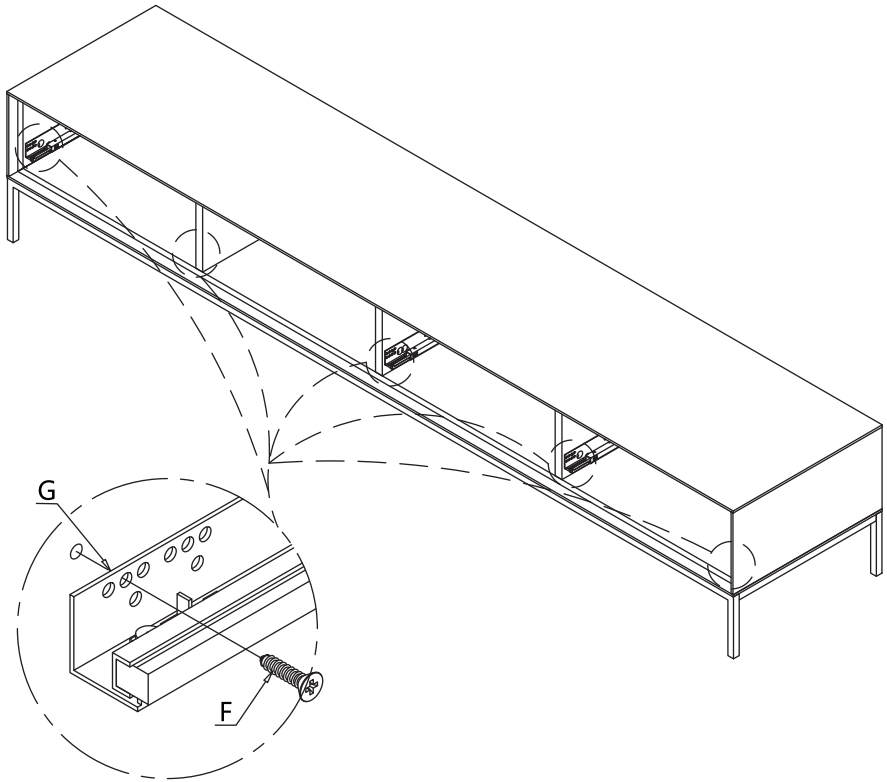
15



x3



16



x3





17

