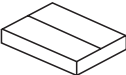


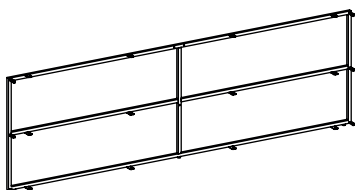
 20 min	 x2	 x2	 x1
---	---	---	---



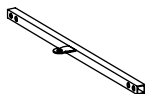
**A** x1



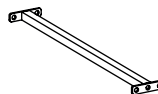
**B** x2



**C** x2



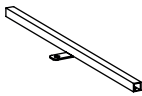
**D** x 2



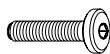
**E** x1



**F** x1



**G** x 4



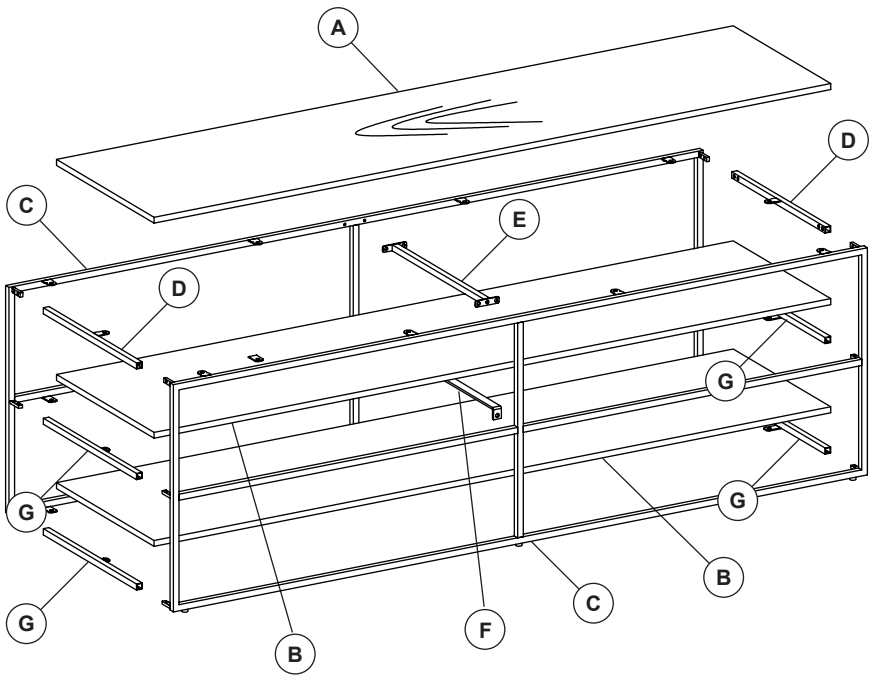
**H** x30  
M6x10mm



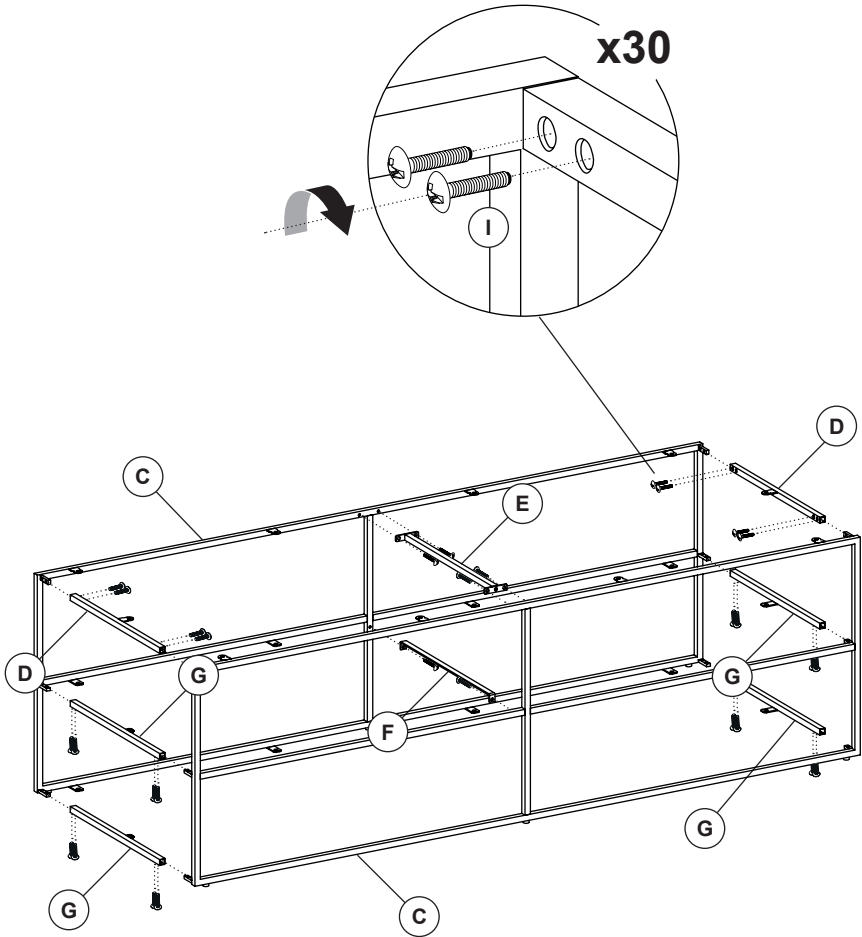
**I** x30  
M5x10mm



**J** x1  
4mm



1





2

