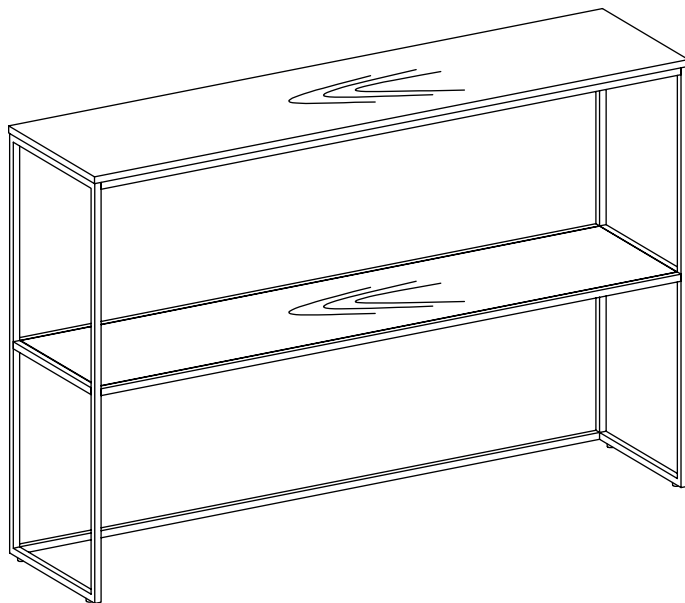

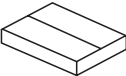






Yoana





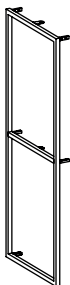
 20 min	 x2	 x2	 x1
---	---	---	---



A x1



B x1



C x1



D x1



E x1



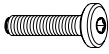
F x1



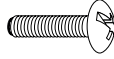
G x2



H x1



I x18
M6x10mm



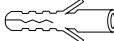
J x20
M5x10mm



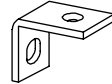
K x1
4mm



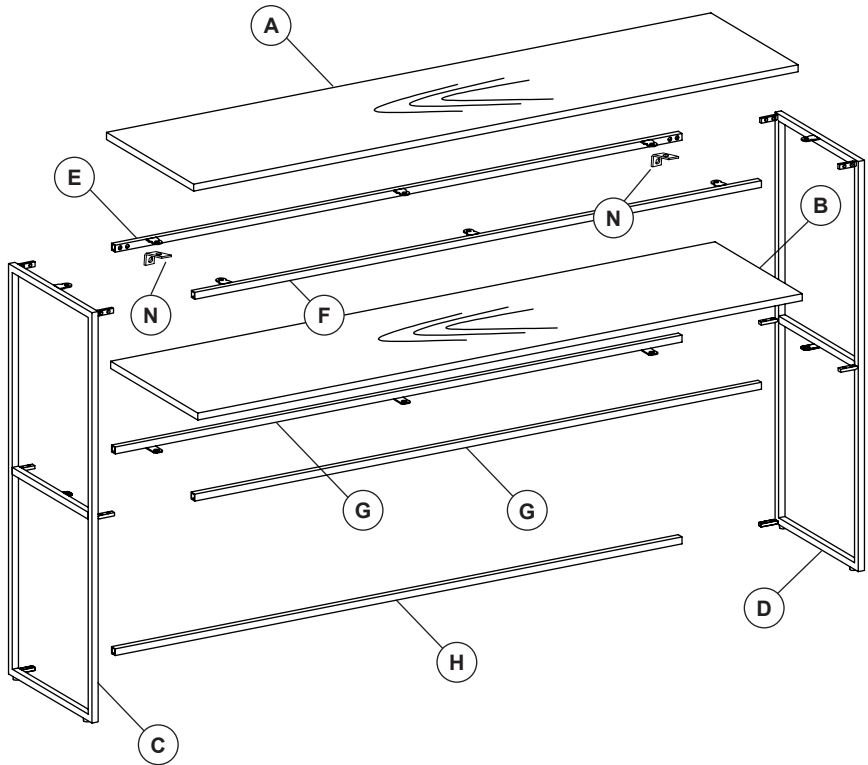
L x2
M4x40mm



M x2

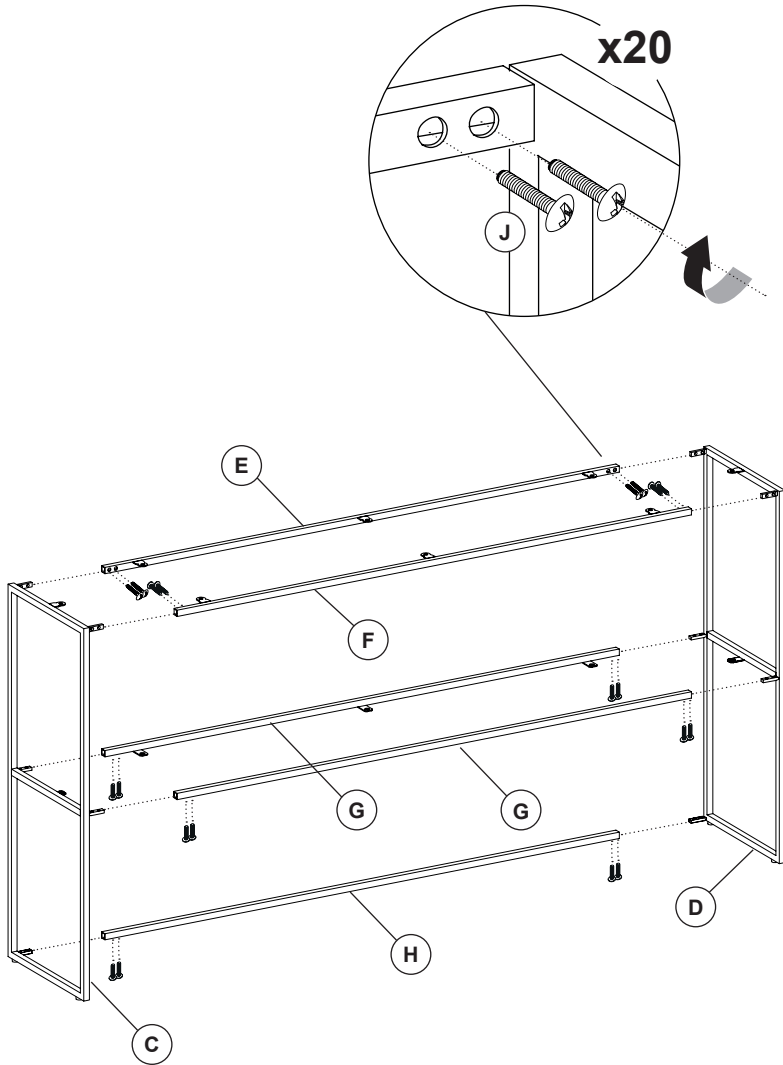


N x2

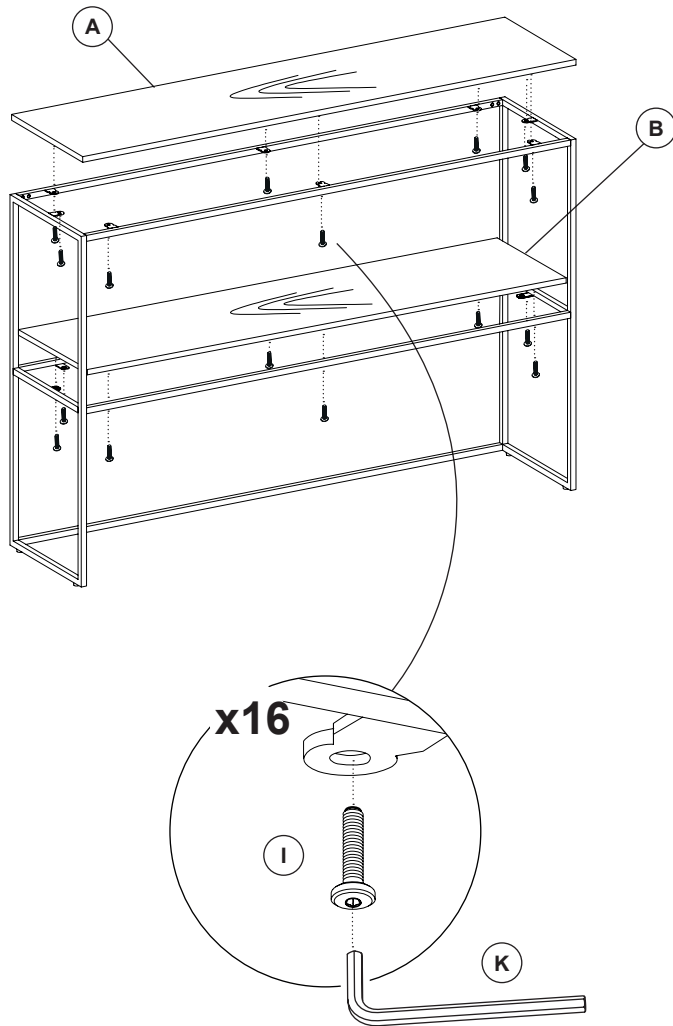




1



2





3

