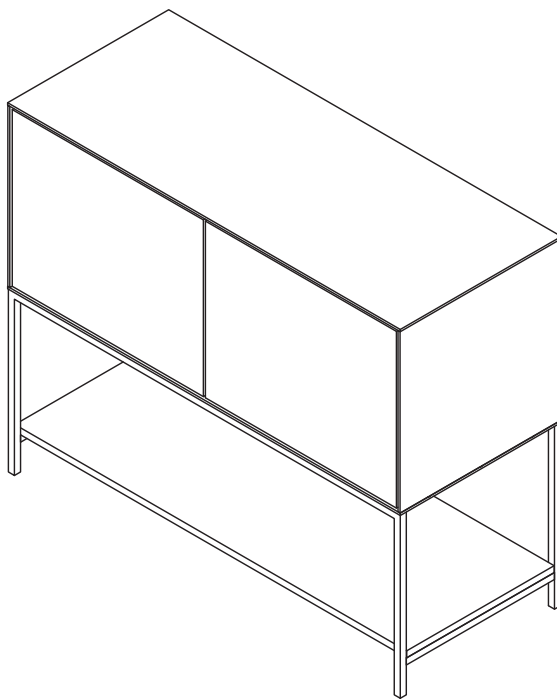
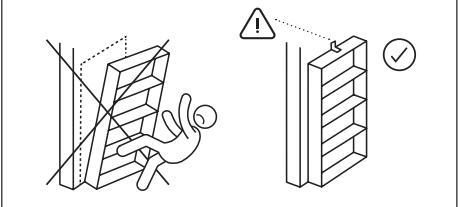
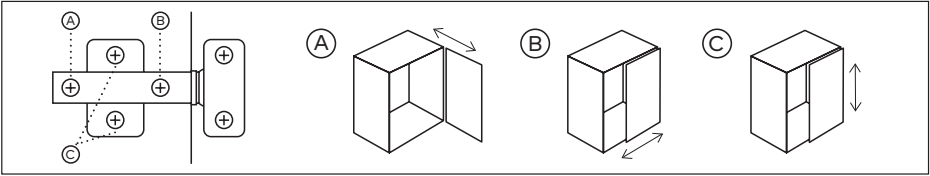
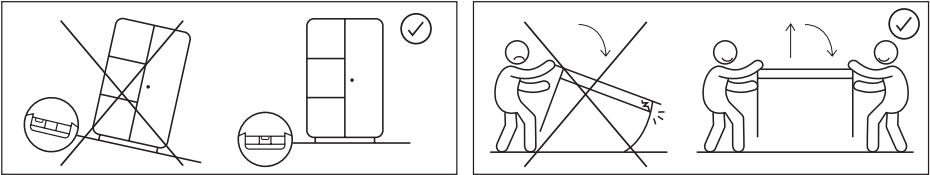
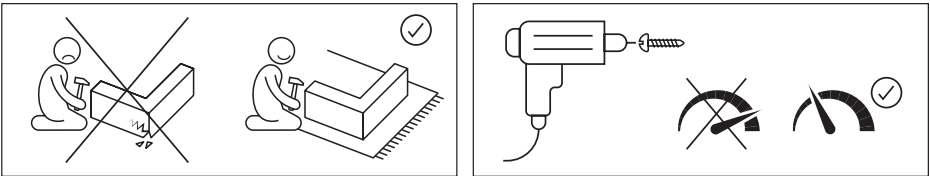
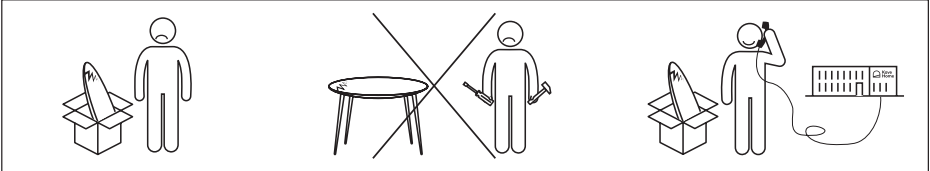
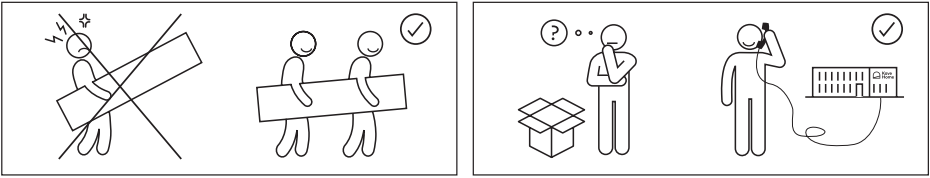




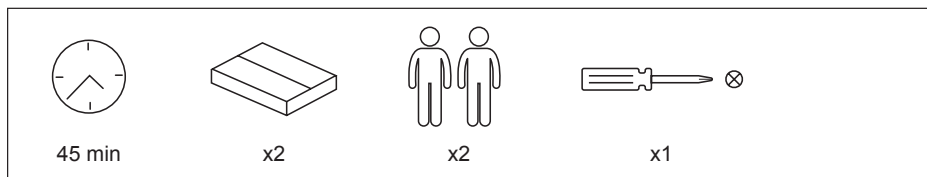
# Vedrana

---





VEDRANA



Ax1(m4)



Bx28(ø15x12)



Cx4(M6x45)



Dx12(ø6x80)



Ex4(ø8x30)



Fx41(ø3.5x16)



Gx 4set



Hx21(M6x10)



Ix13



Jx8(ø5\*14)



Kx2



Lx 6(M6x15)



Mx4



Nx4(ø3.5x50)



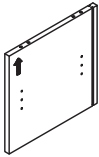
Ox4



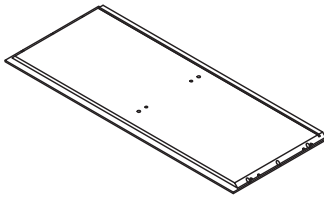
Px2



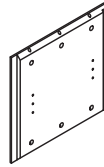
Qx16



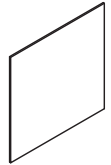
(1)x1



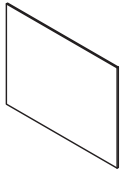
(2)x1



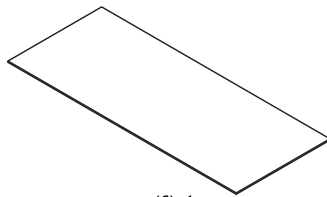
(3)x1



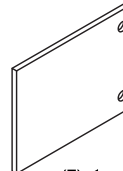
(4)x1



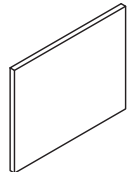
(5)x2



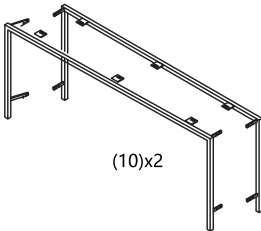
(6)x1



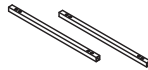
(7)x1



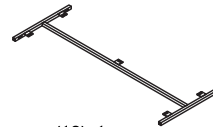
(8)x1



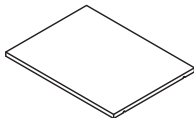
(10)x2



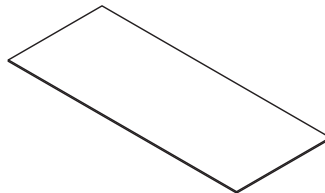
(11)x2



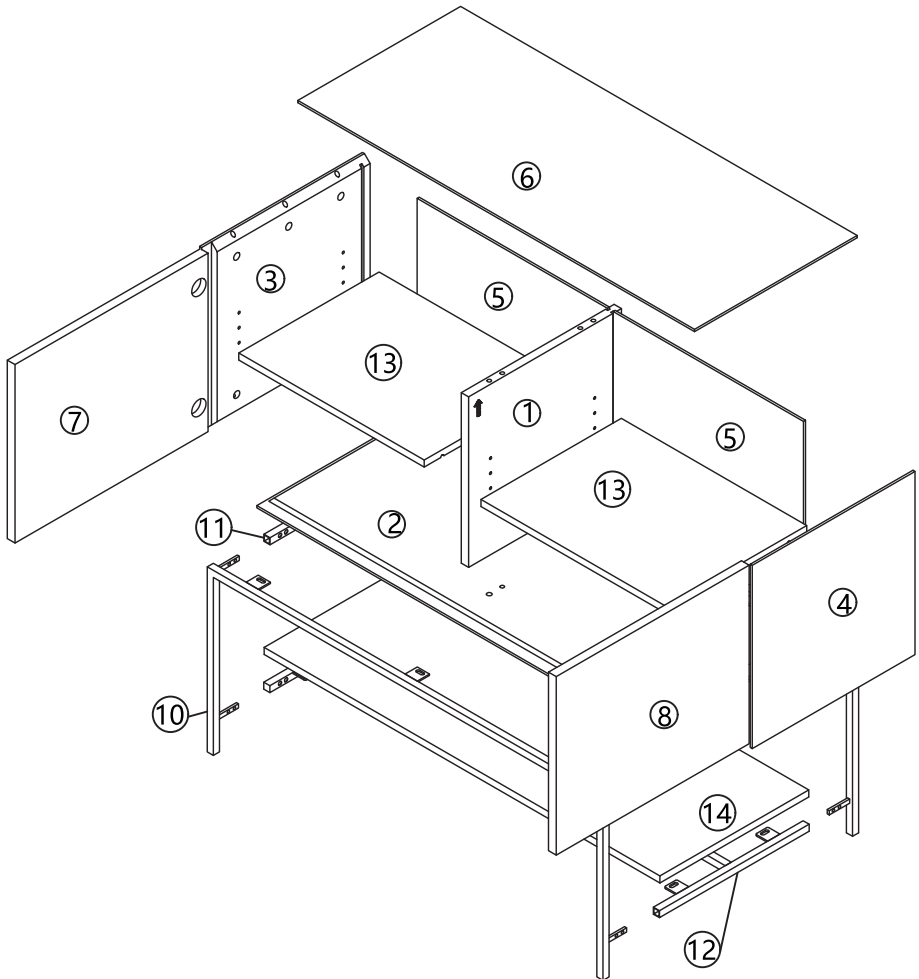
(12)x1



(13)x2

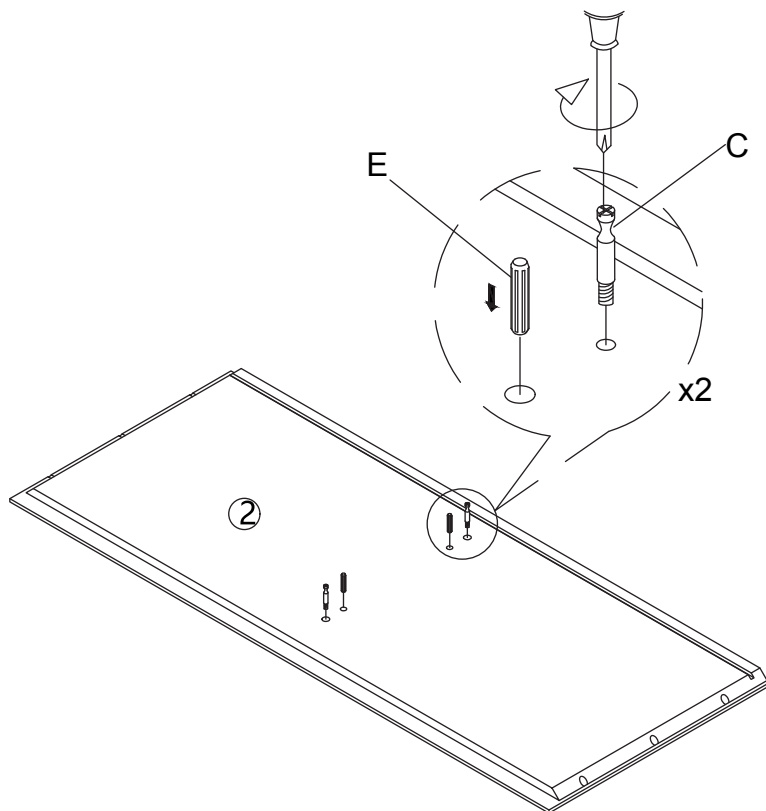


(14)x1

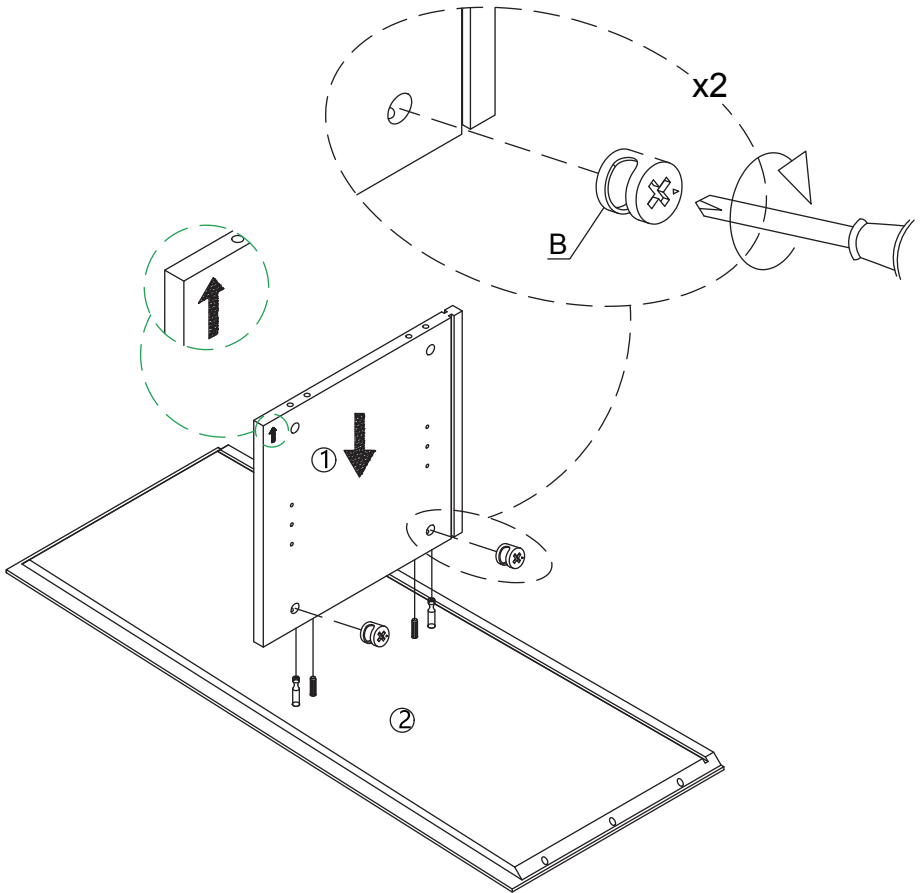




1

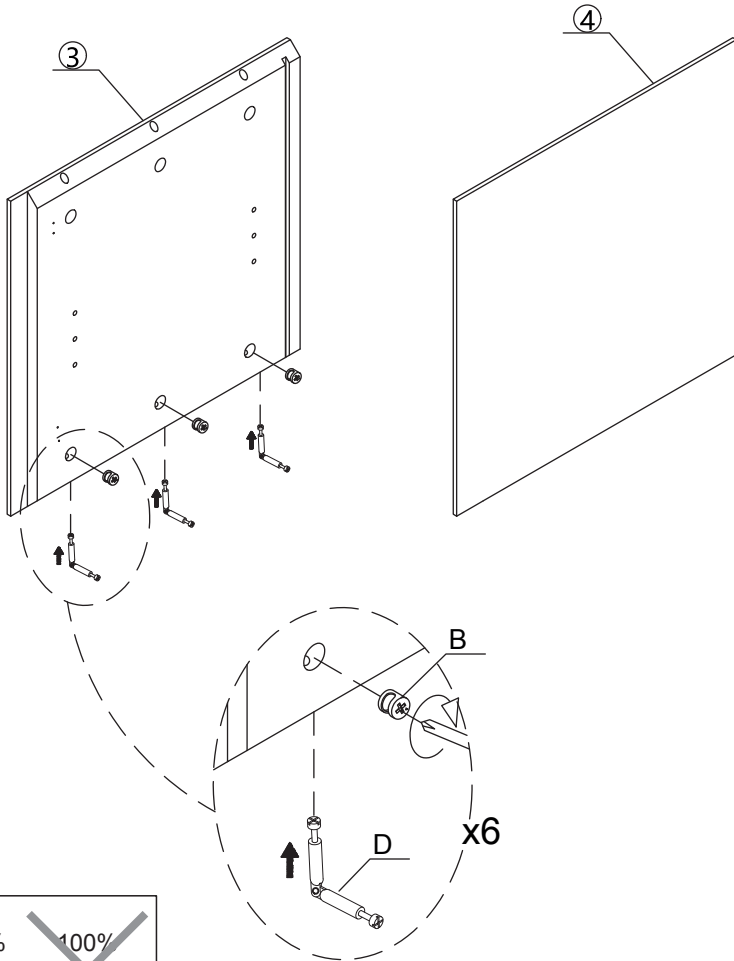


2



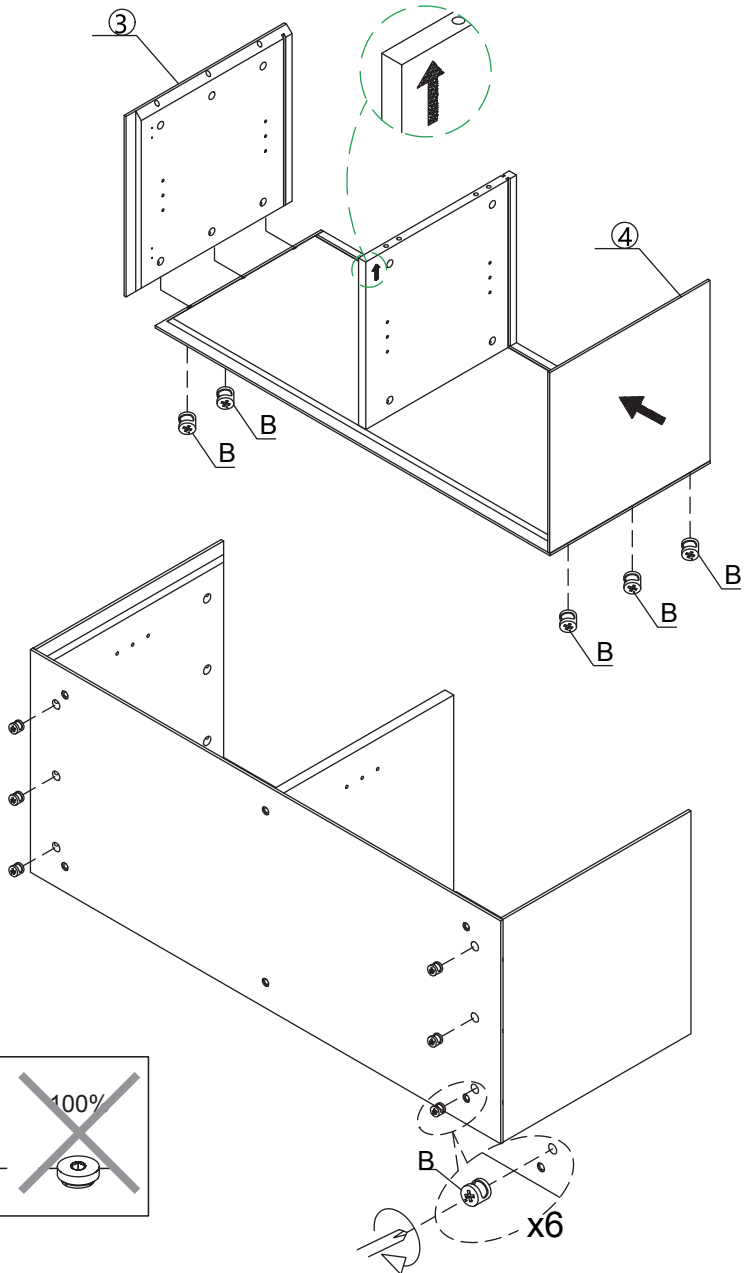


3



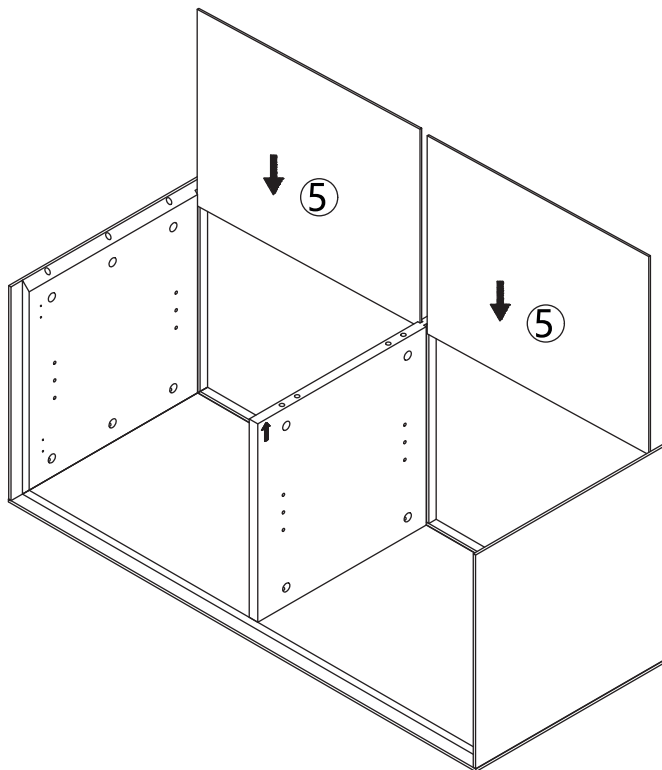


4

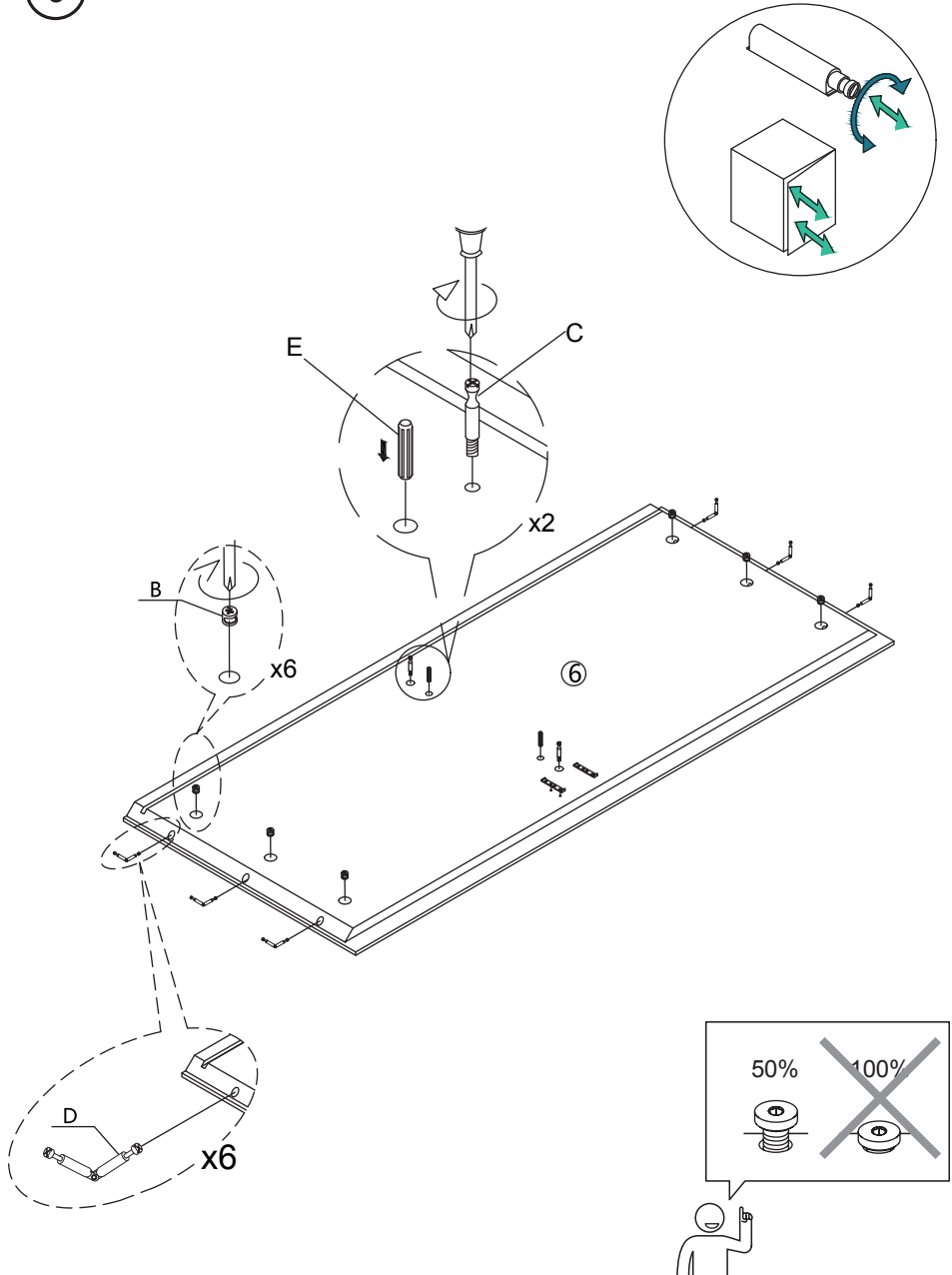




5

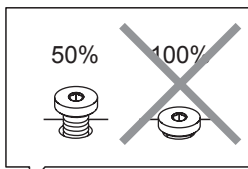
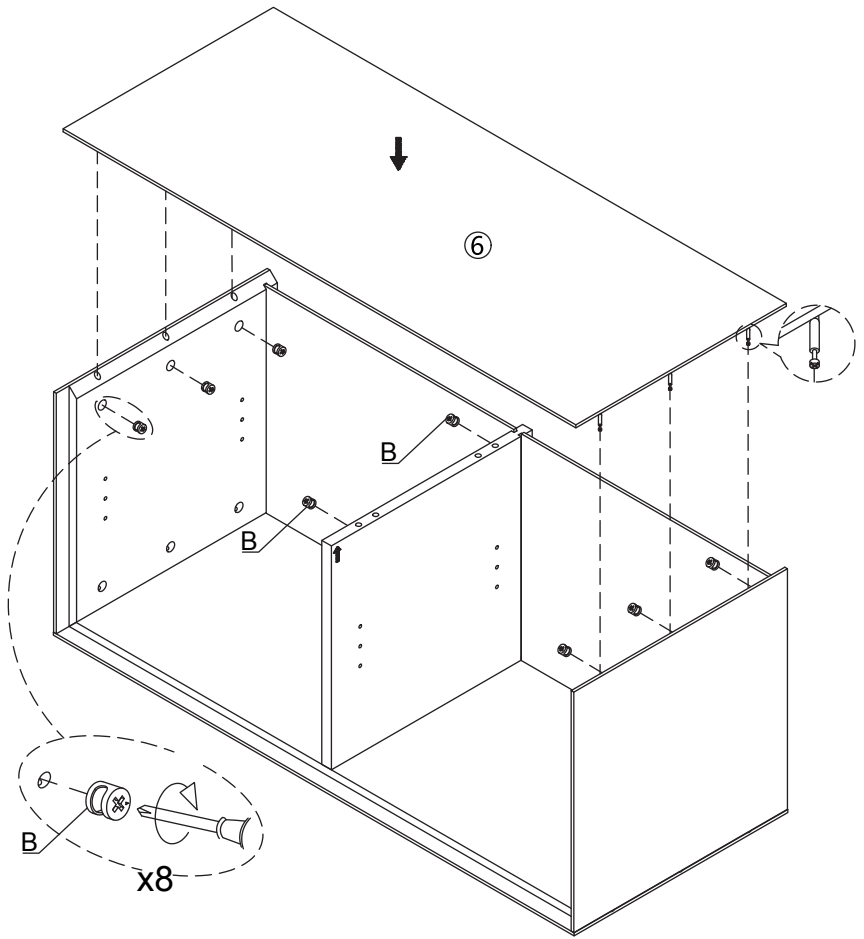


6

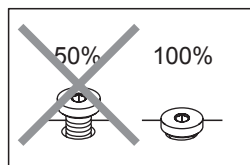
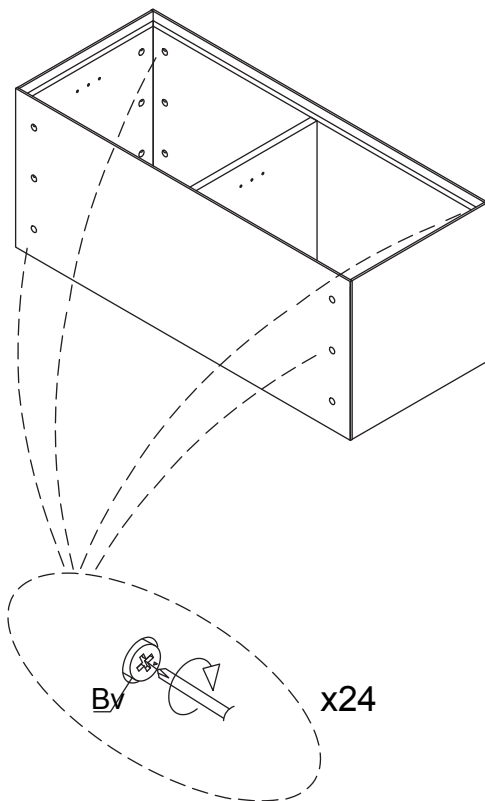




7

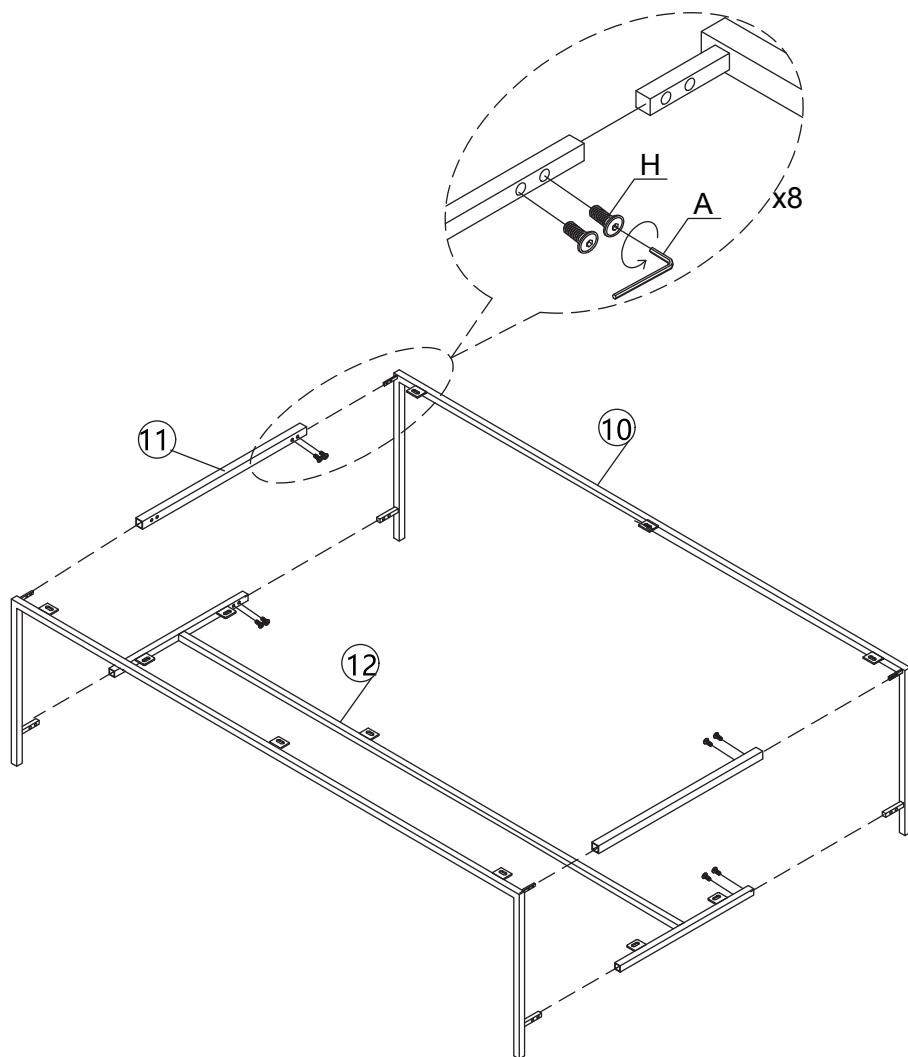


8

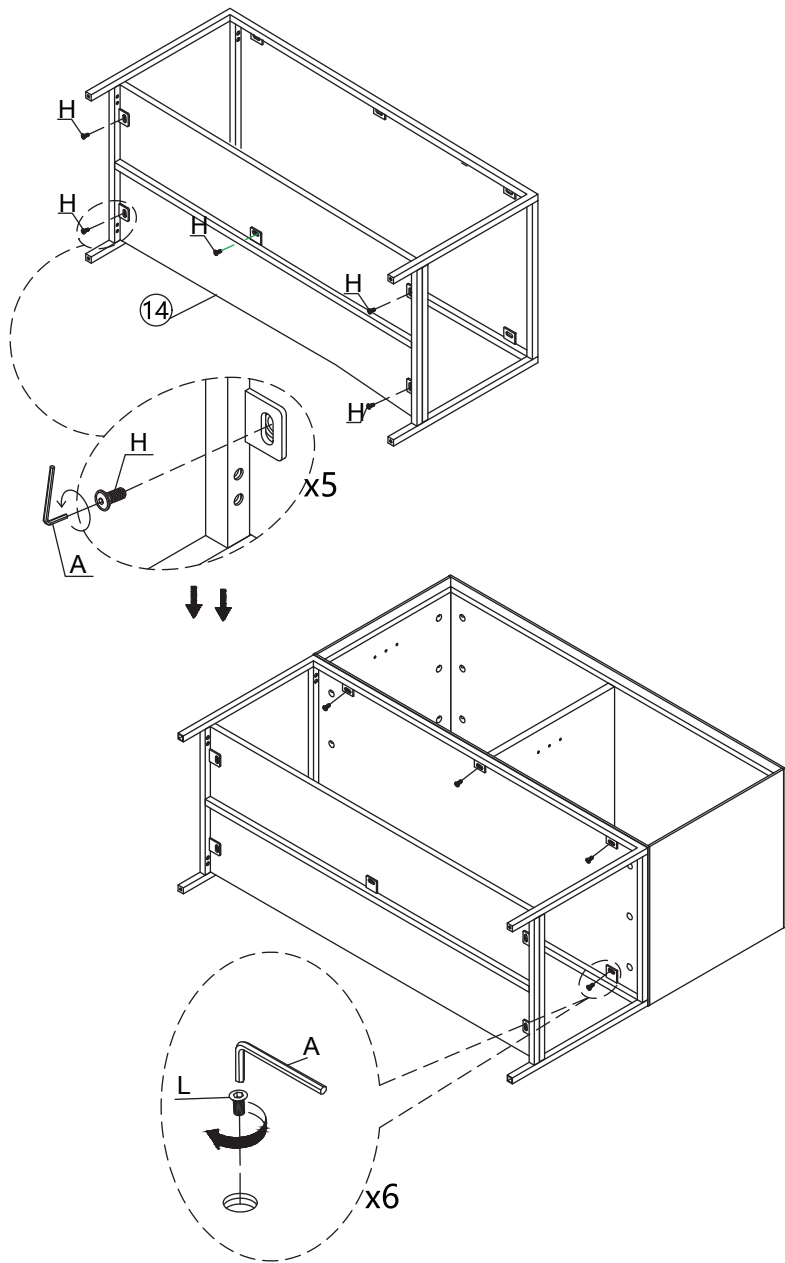




9

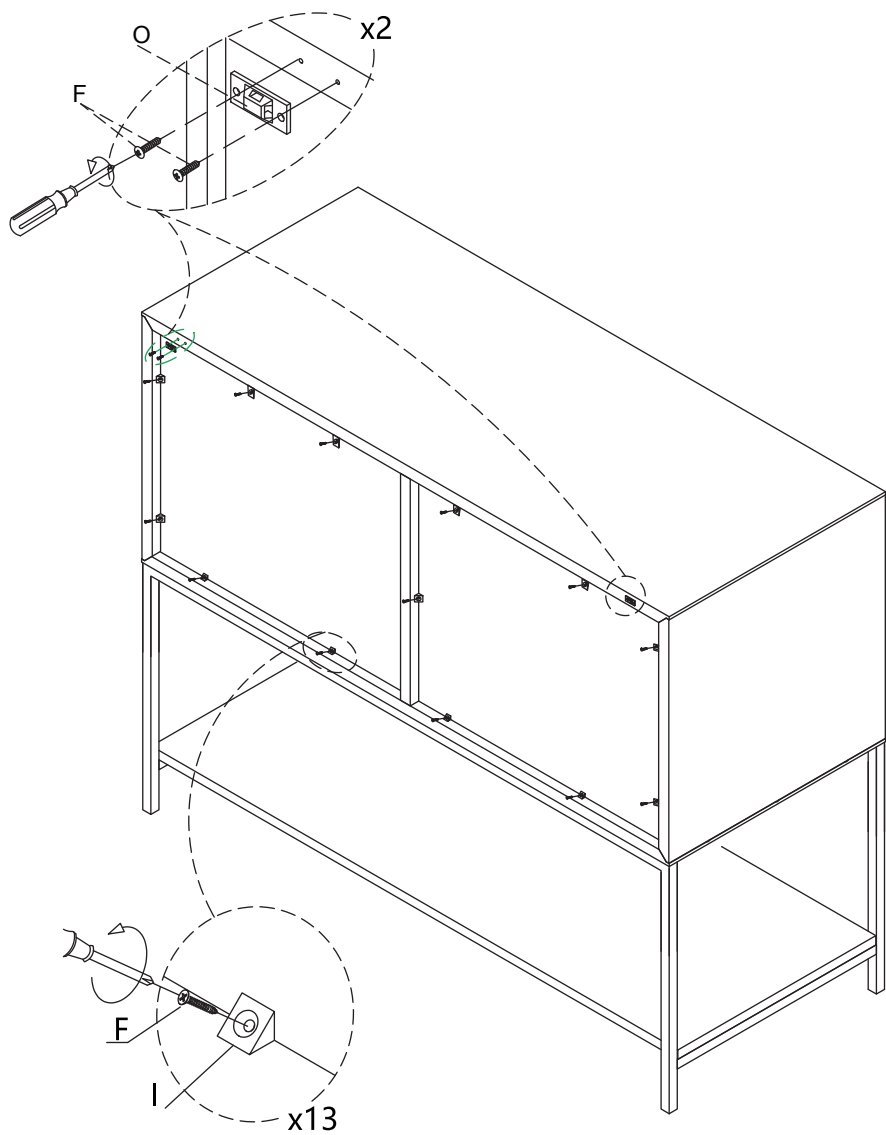


10



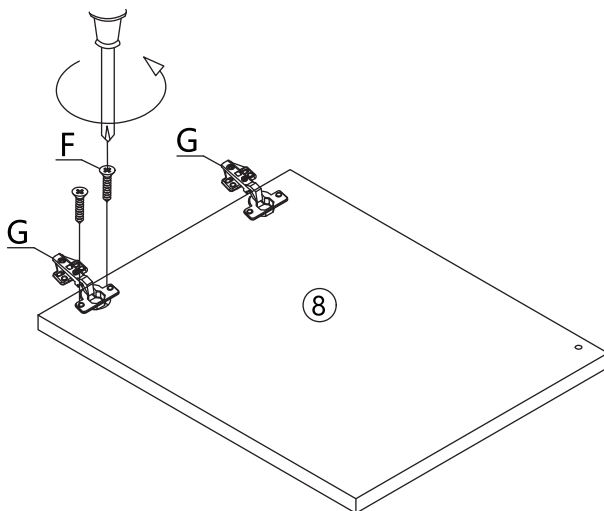
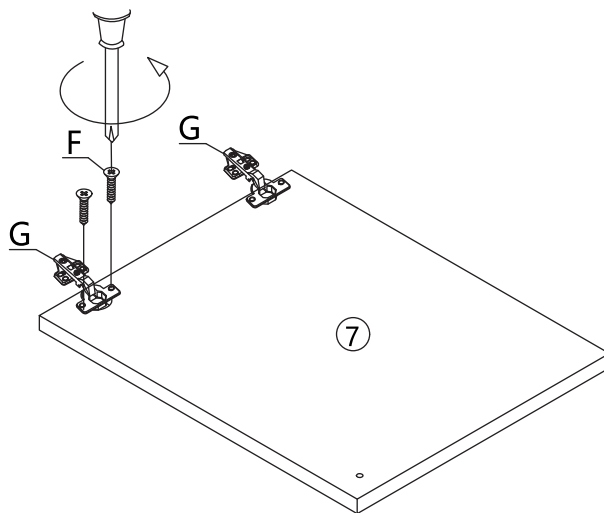


11



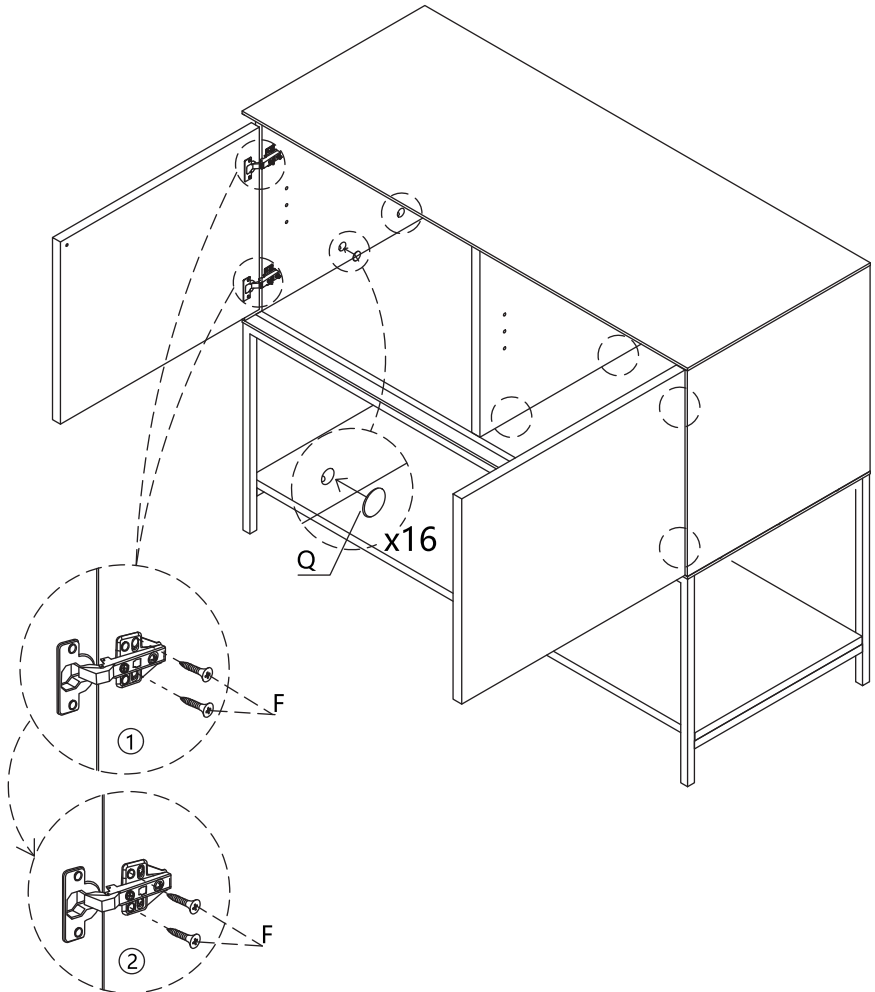
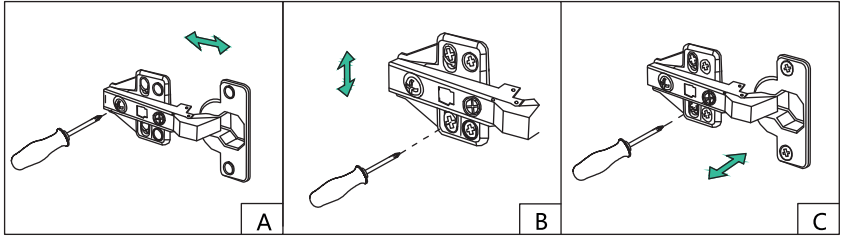


12

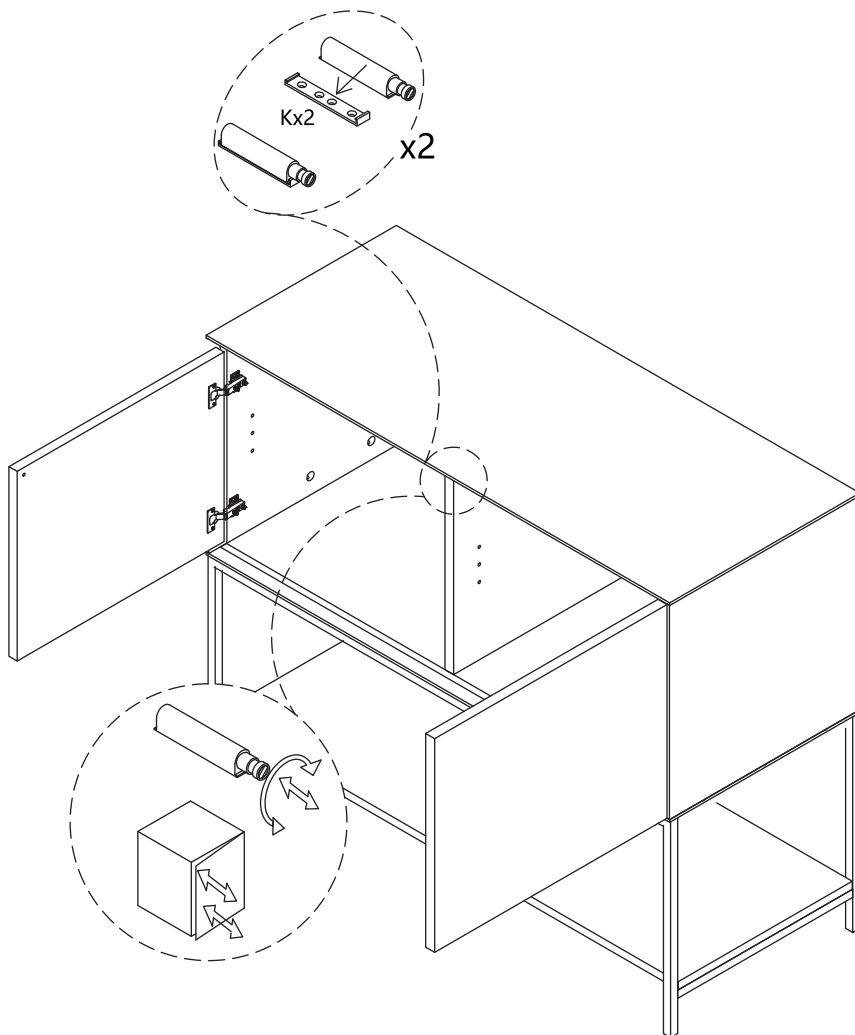




13

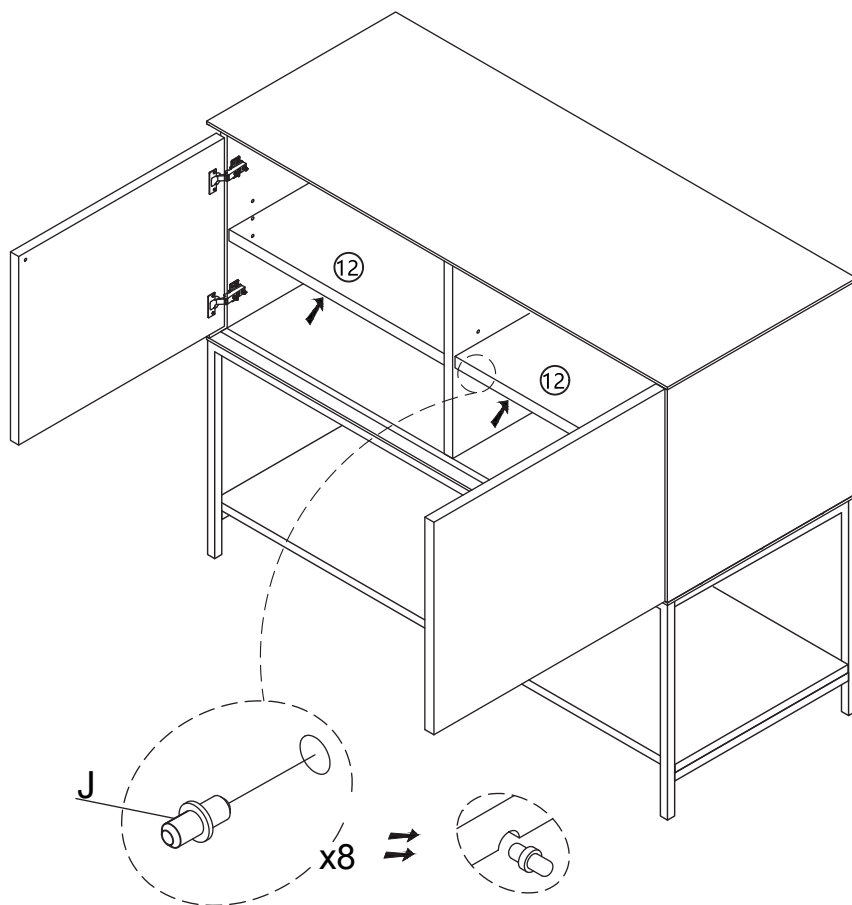


14

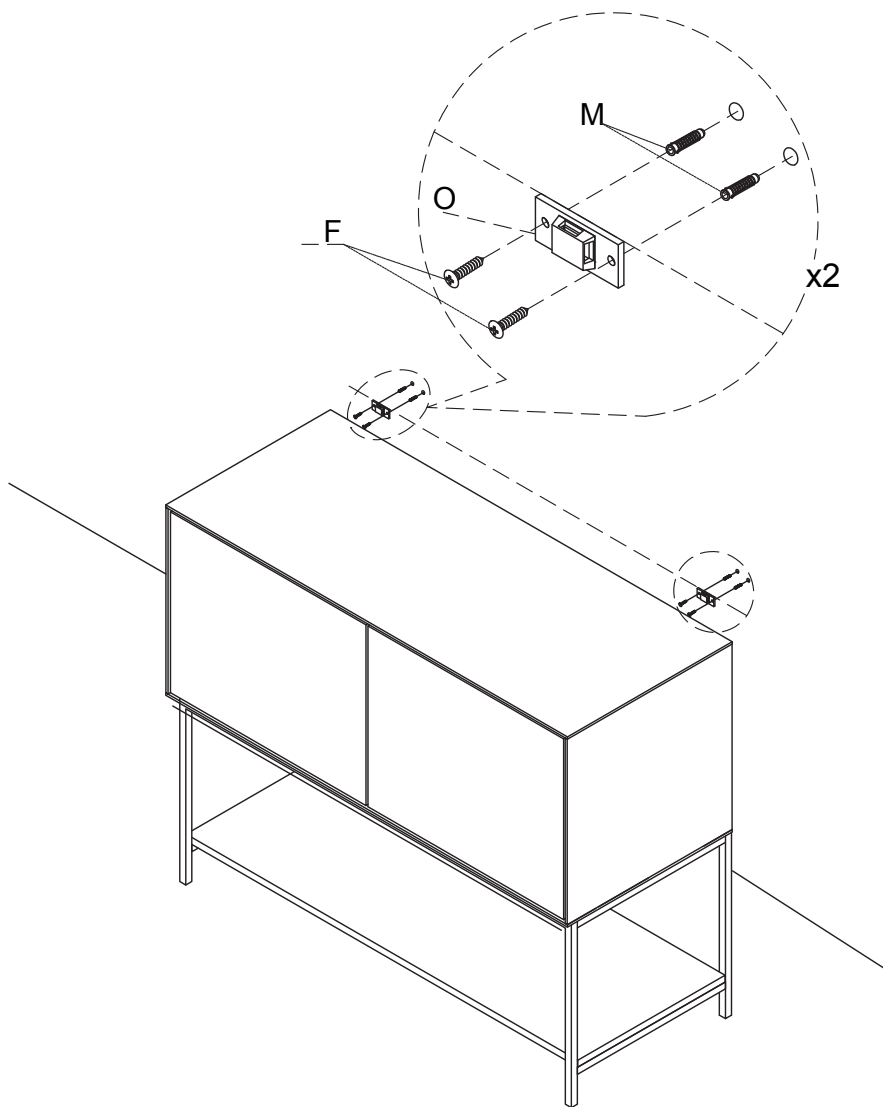




15



16





17

