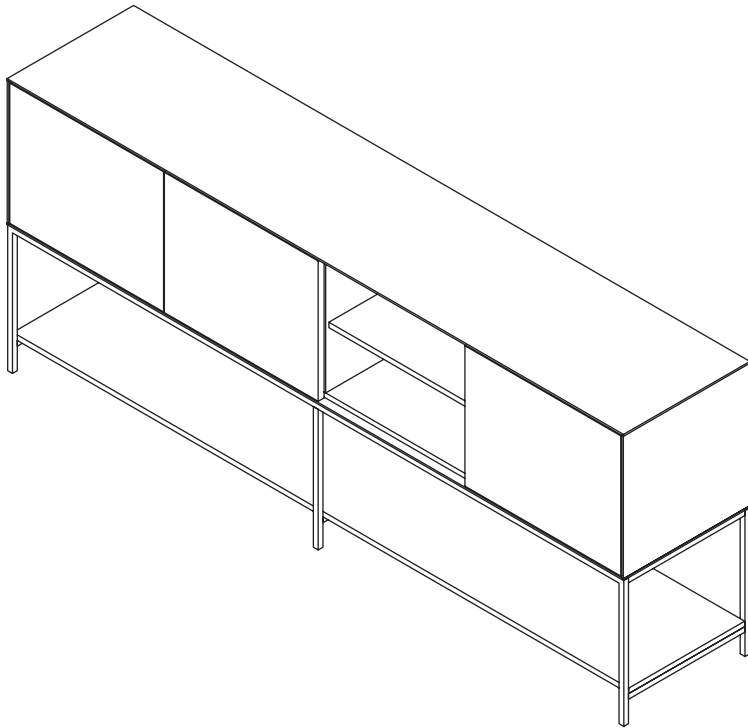
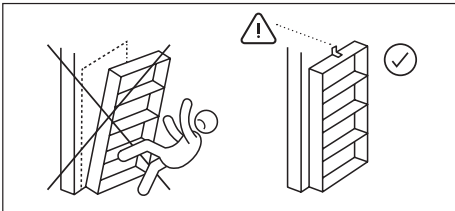
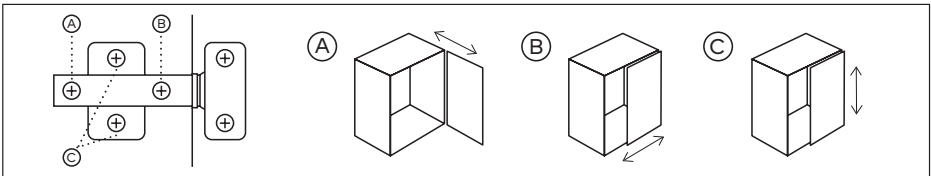
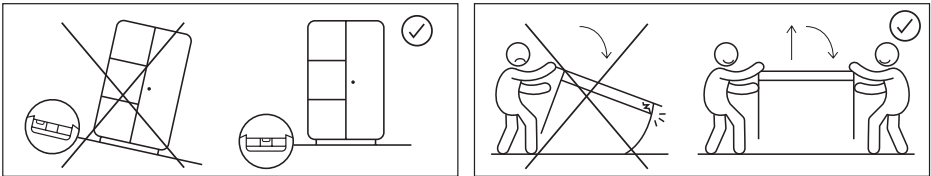
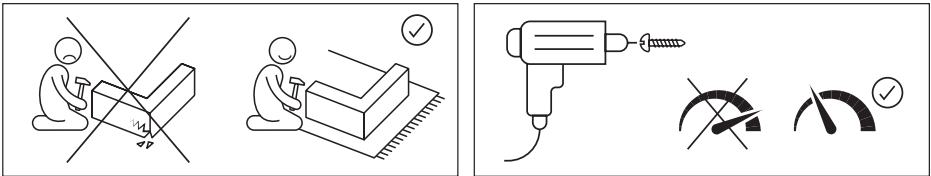
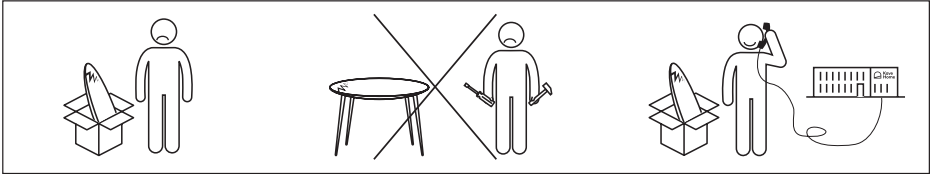
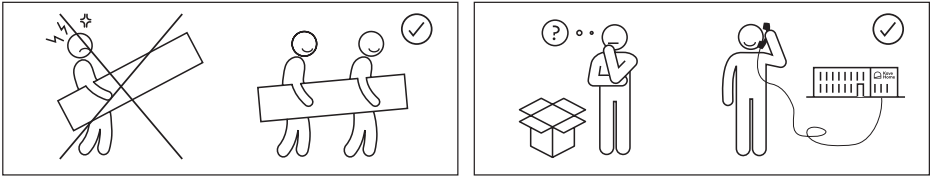



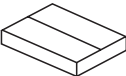




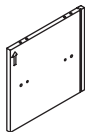
Vedrana



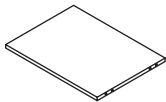


VEDRANA

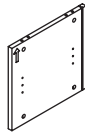
			
45 min	x1	x2	x1



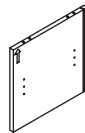
A x1



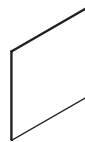
B x1



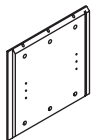
C x1



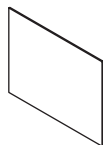
D x1



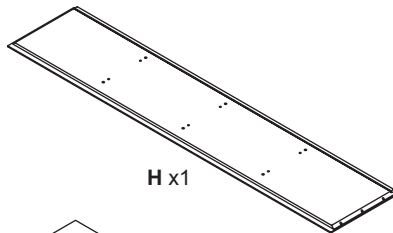
E x1



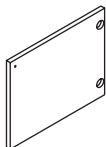
F x1



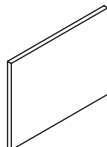
G x4



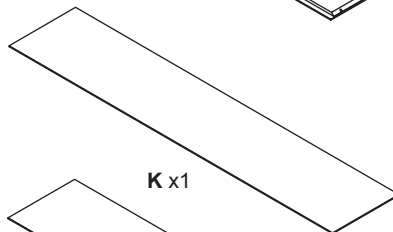
H x1



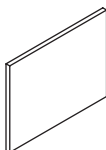
I x1



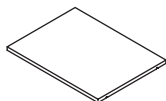
J x1



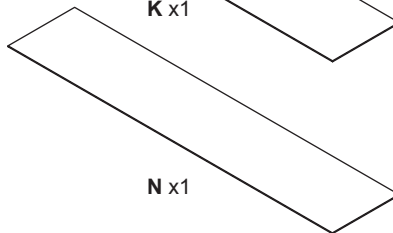
K x1



L x1



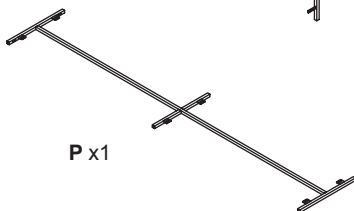
M x3



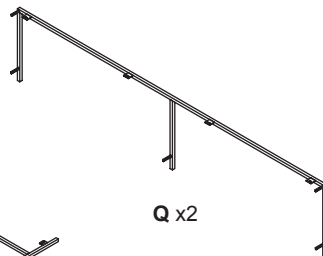
N x1



O x2

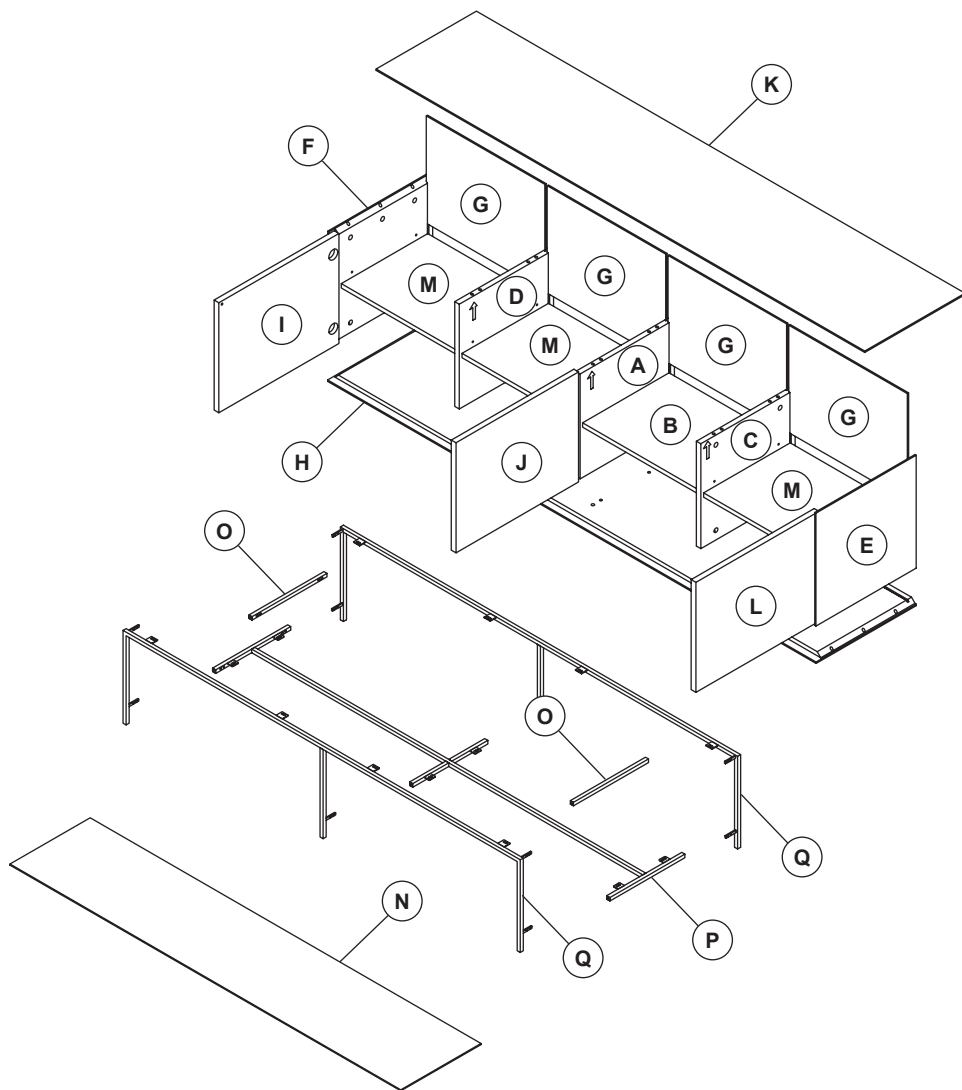


P x1



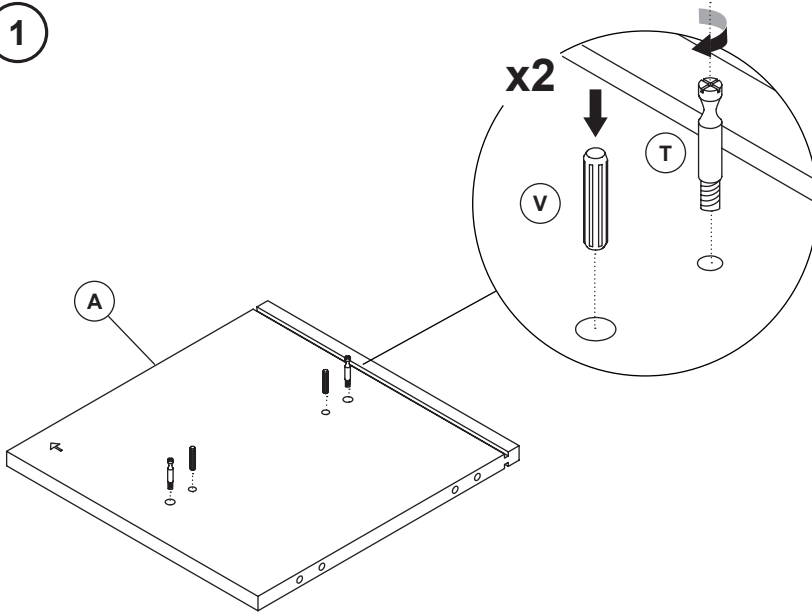
Q x2

**R** x1
M4**S** x40
ø15x12mm**T** x16
M6x45mm**U** x12
ø6x80mm**V** x16
ø8x30mm**W** x53
ø3,5x16mm**X** x4**Y** x2**Z** x13**AA** x12
ø5x14mm**AB** x3**AC** x26
M6x10mm**AD** x8
M6x15mm**AE** x4**AF**x4
ø3,5x50mm**AG** x4**AH** x2**AI** x28

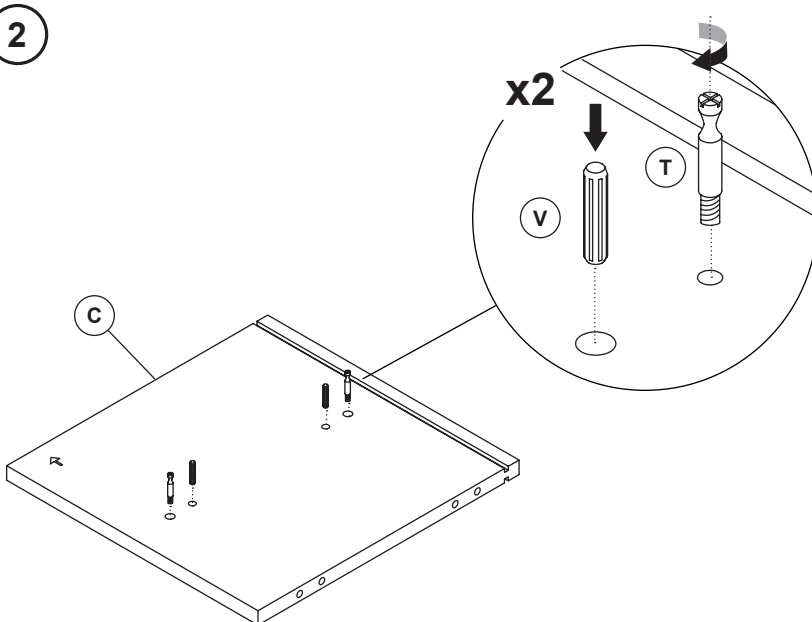




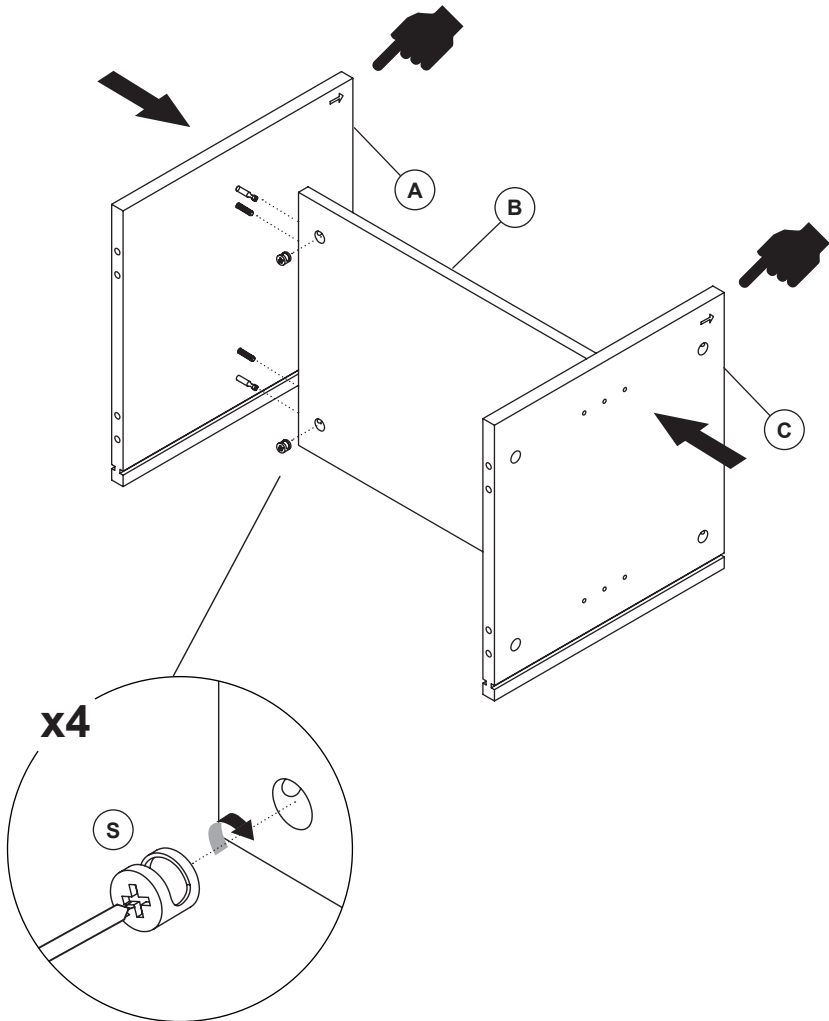
1



2

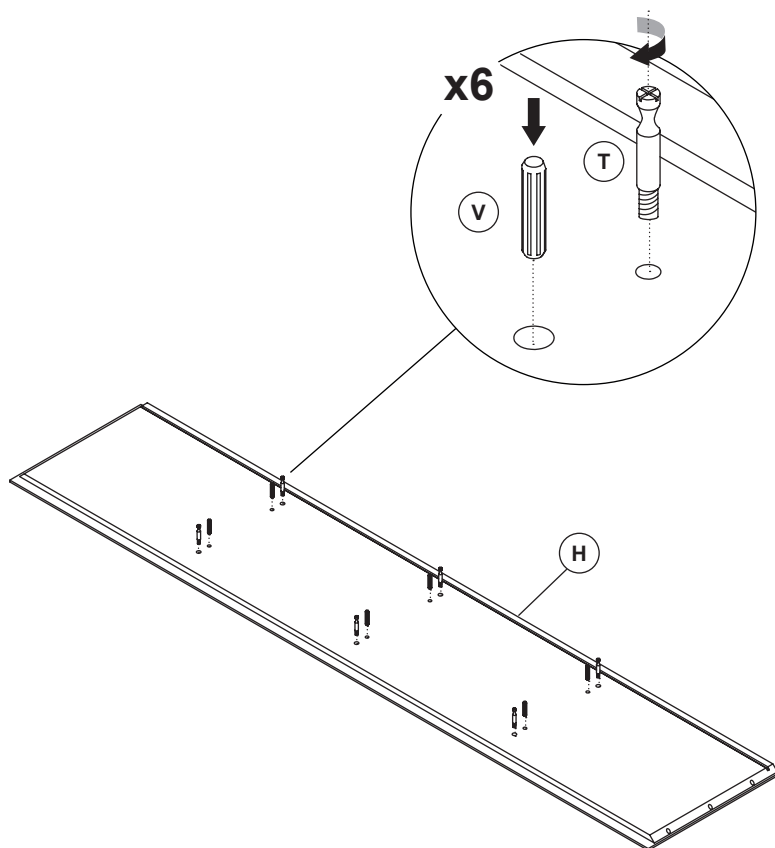


3

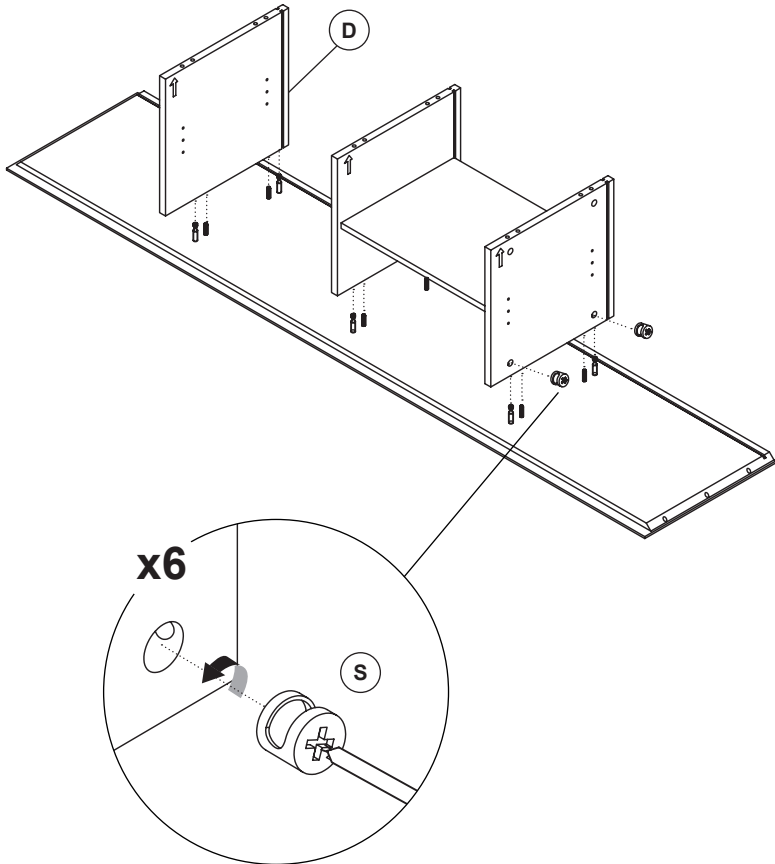




4

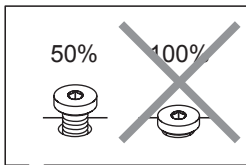
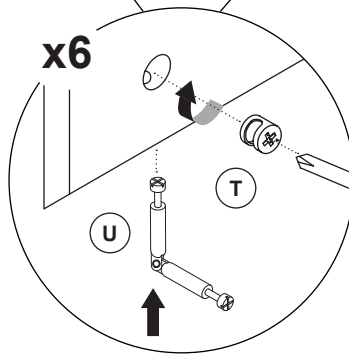
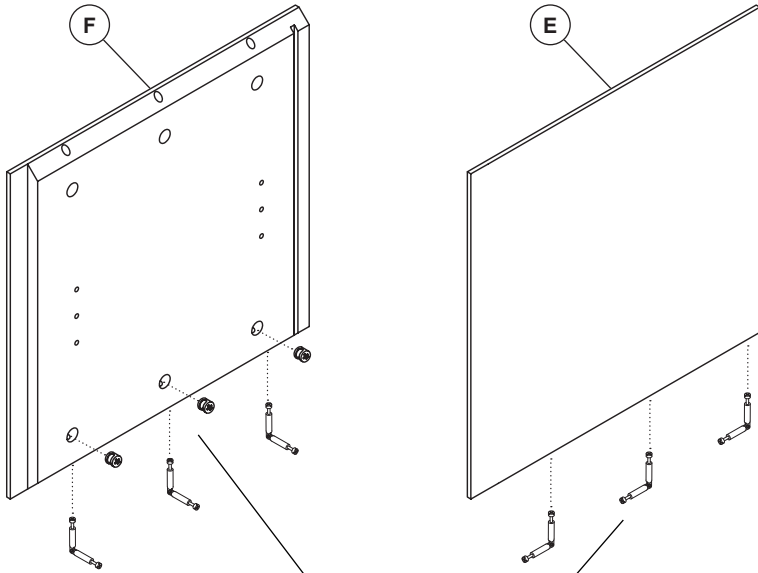


5

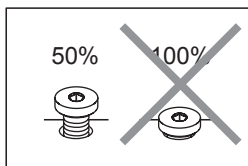
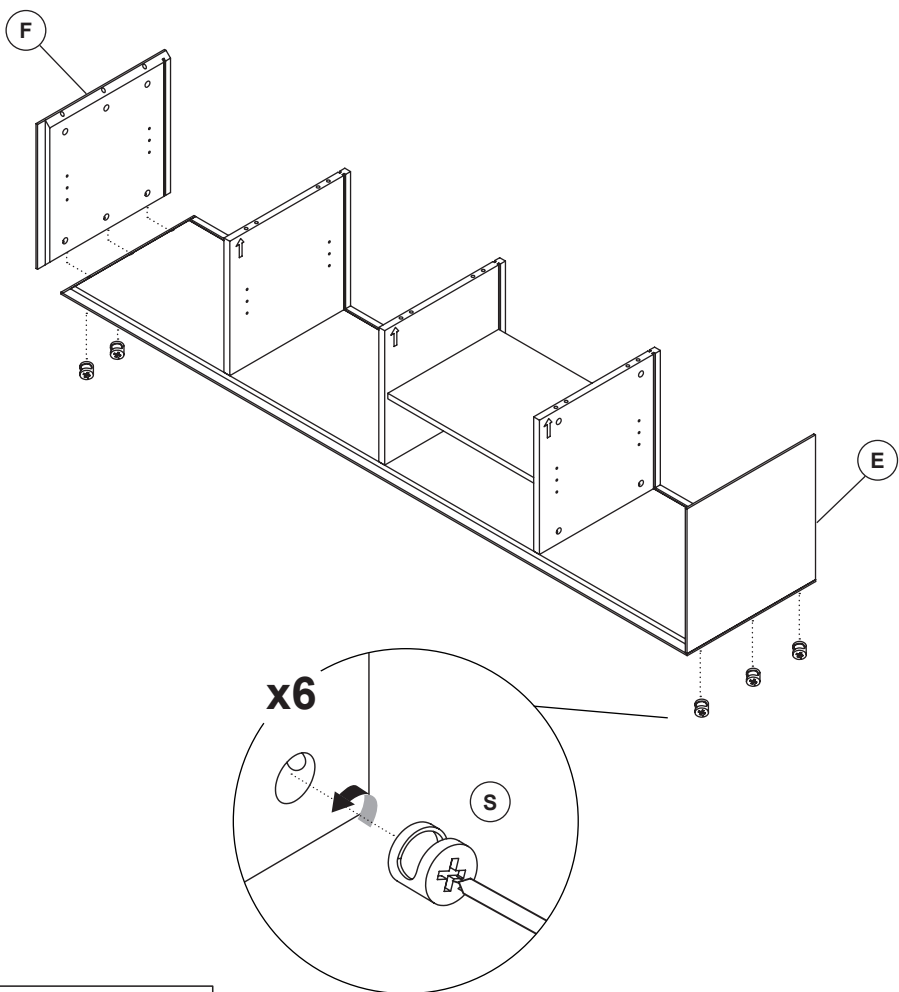




6

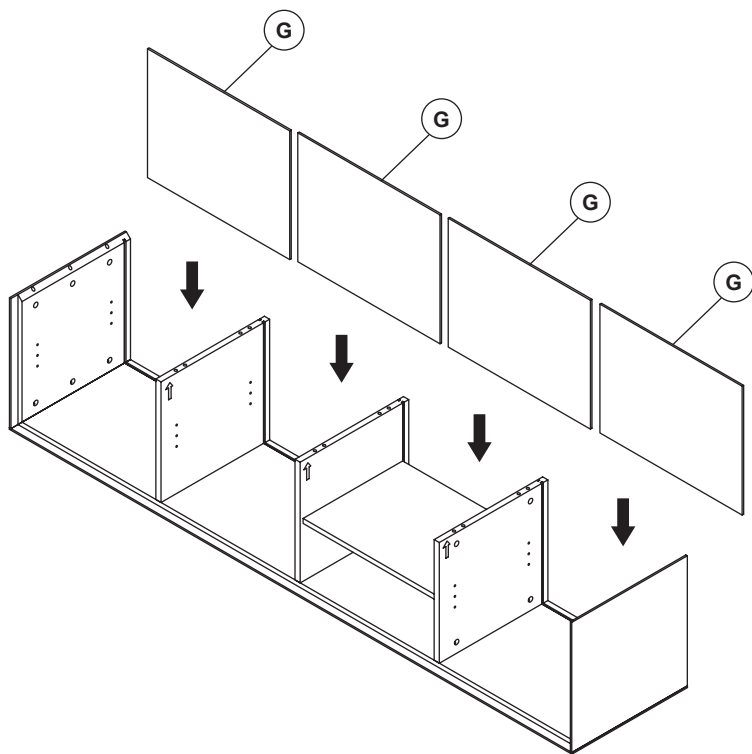


7

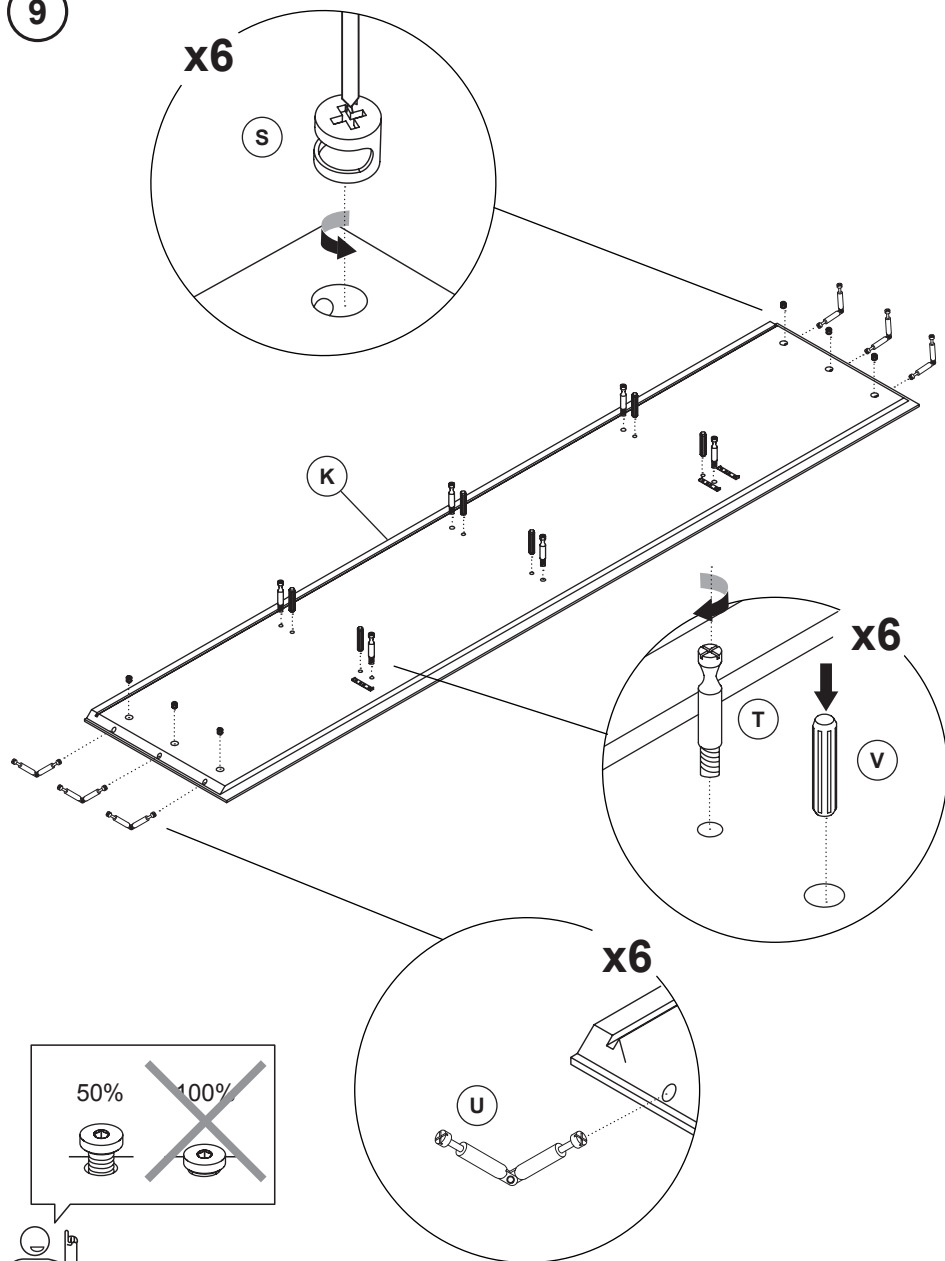




8

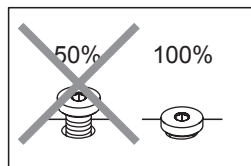
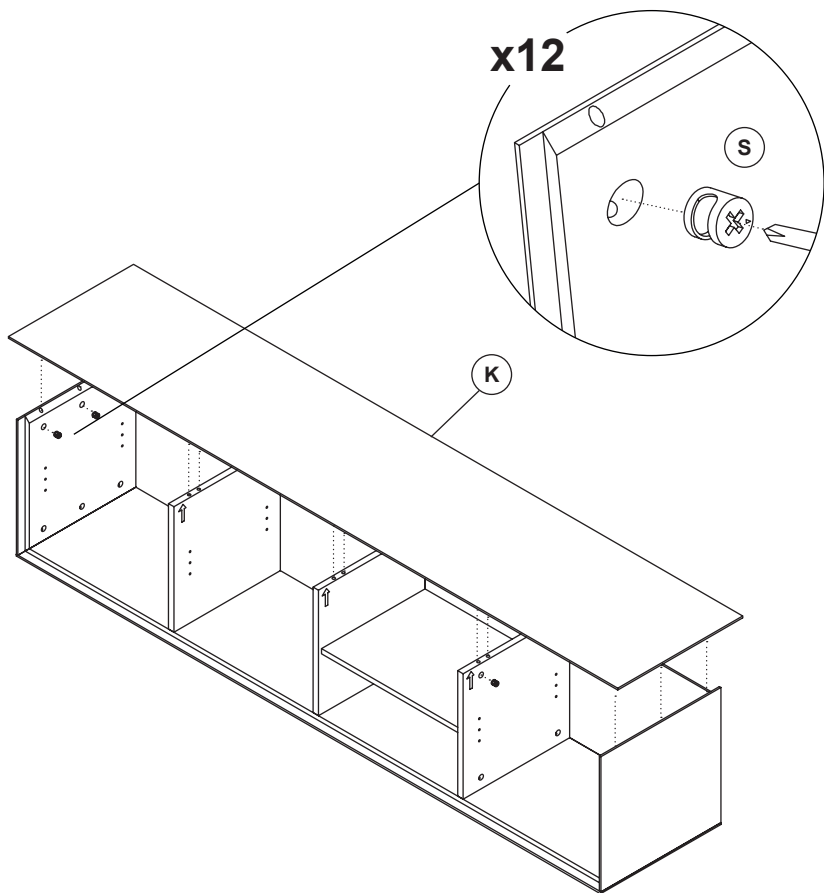


9

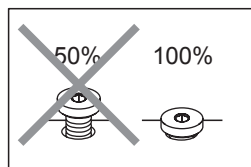
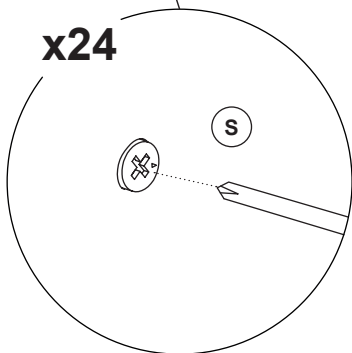
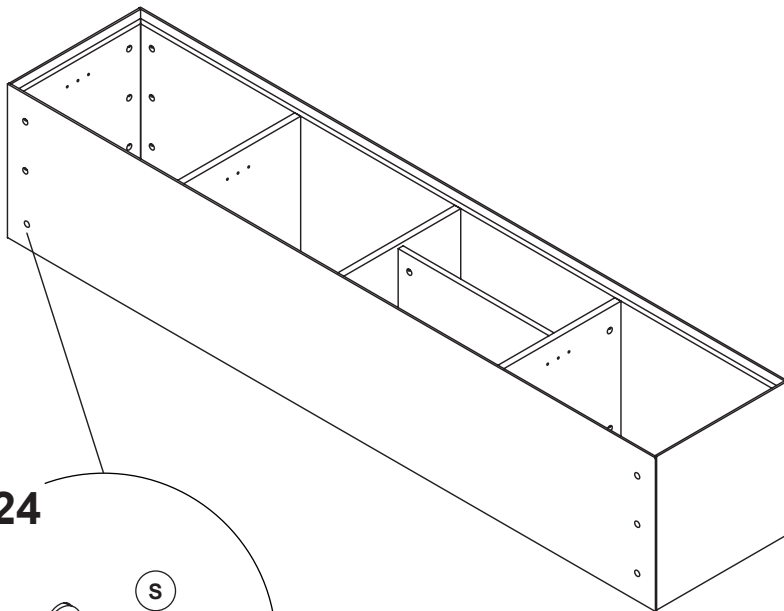




10

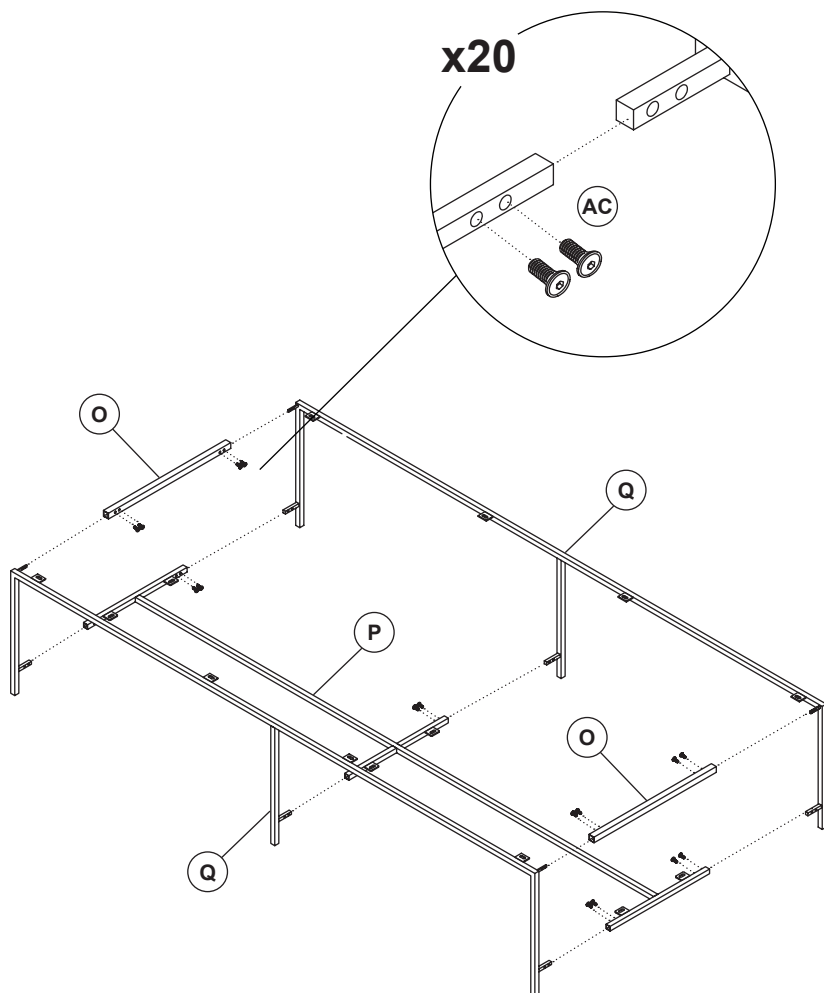


11

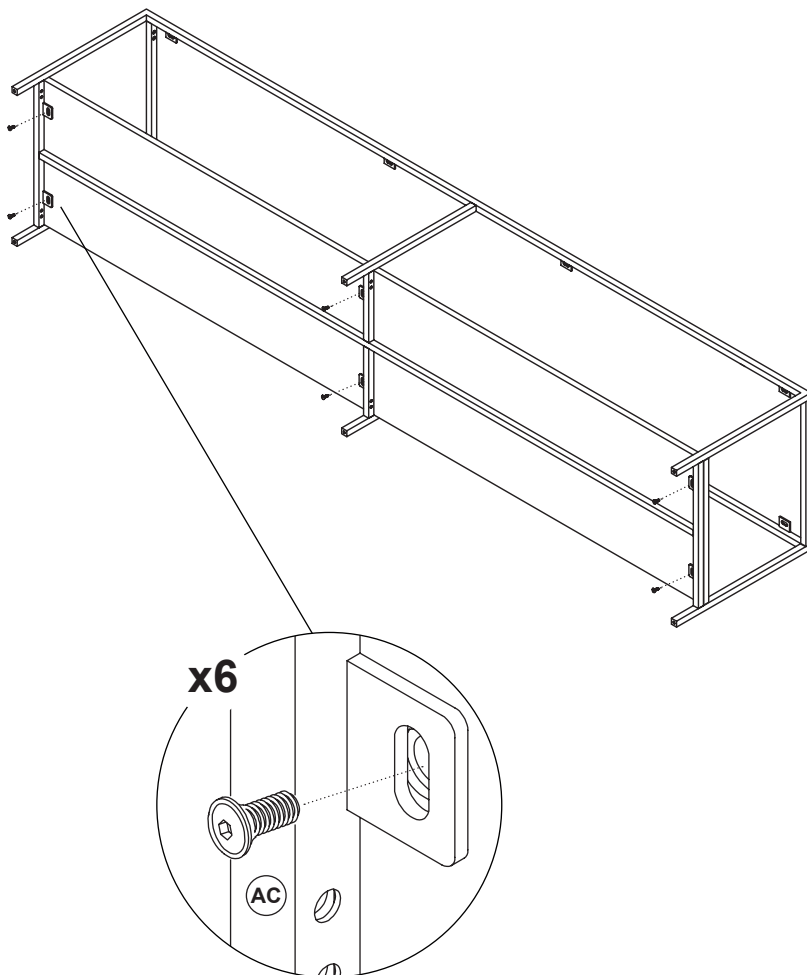




12

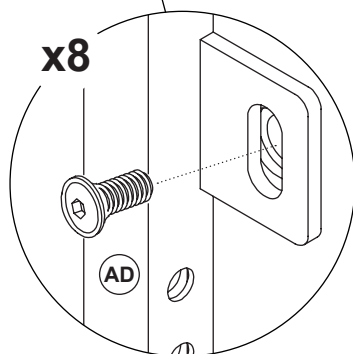
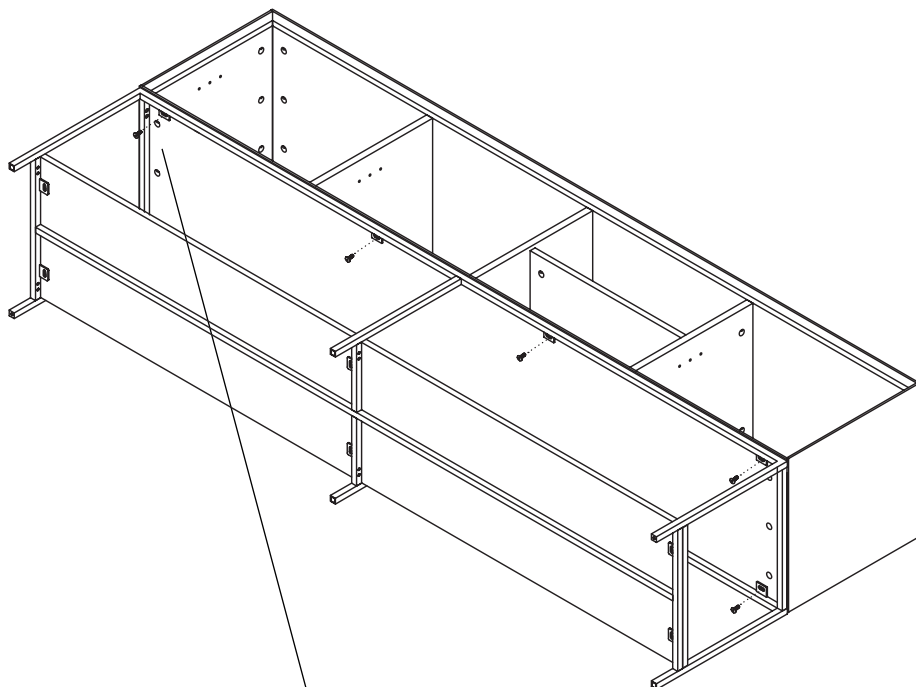


13

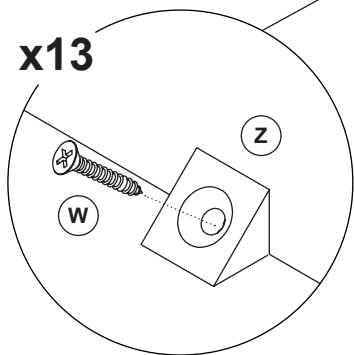
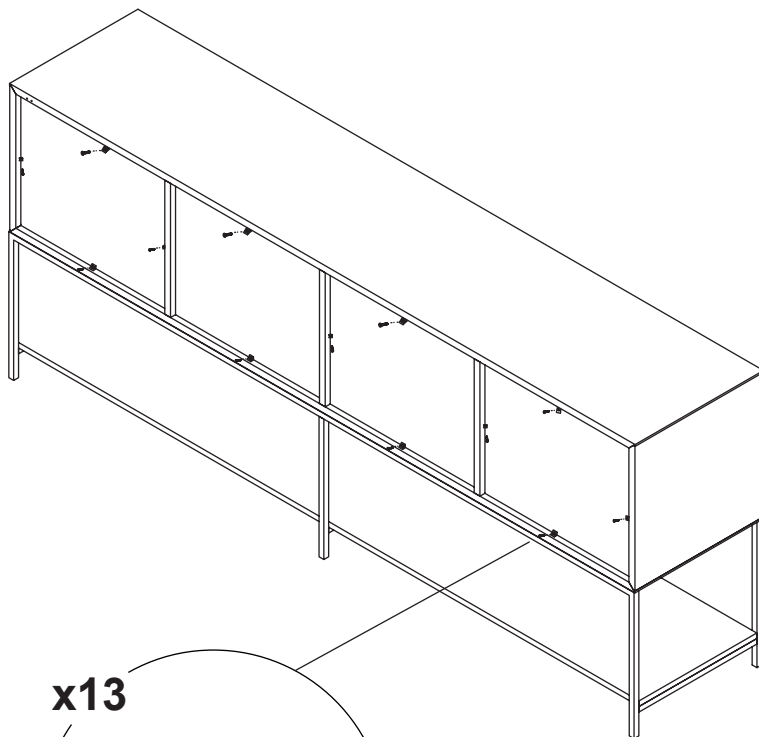




14

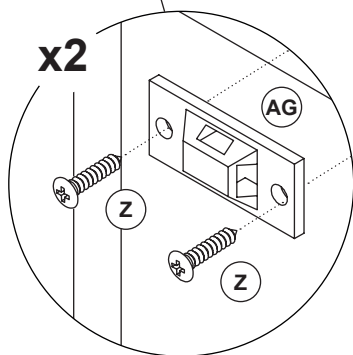
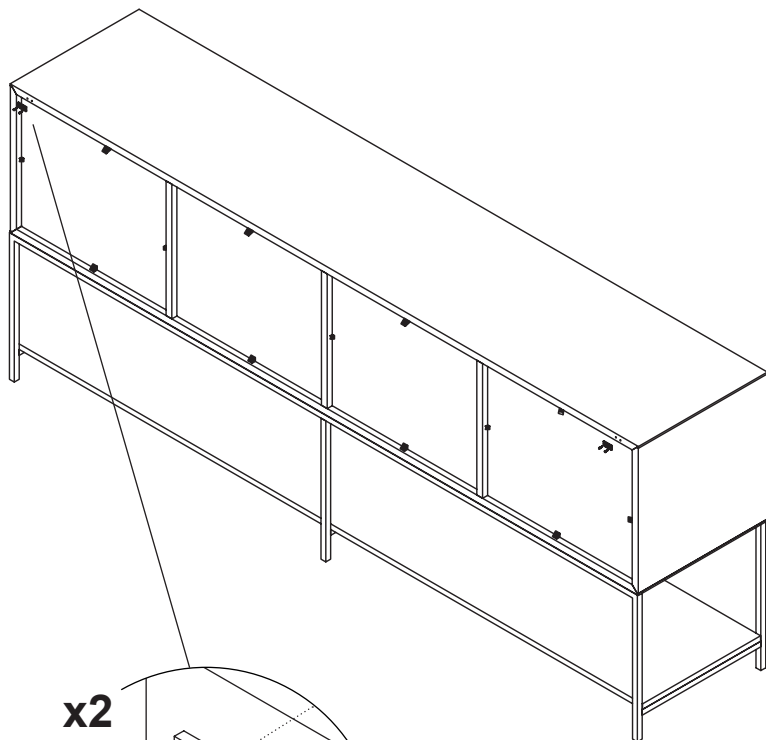


15

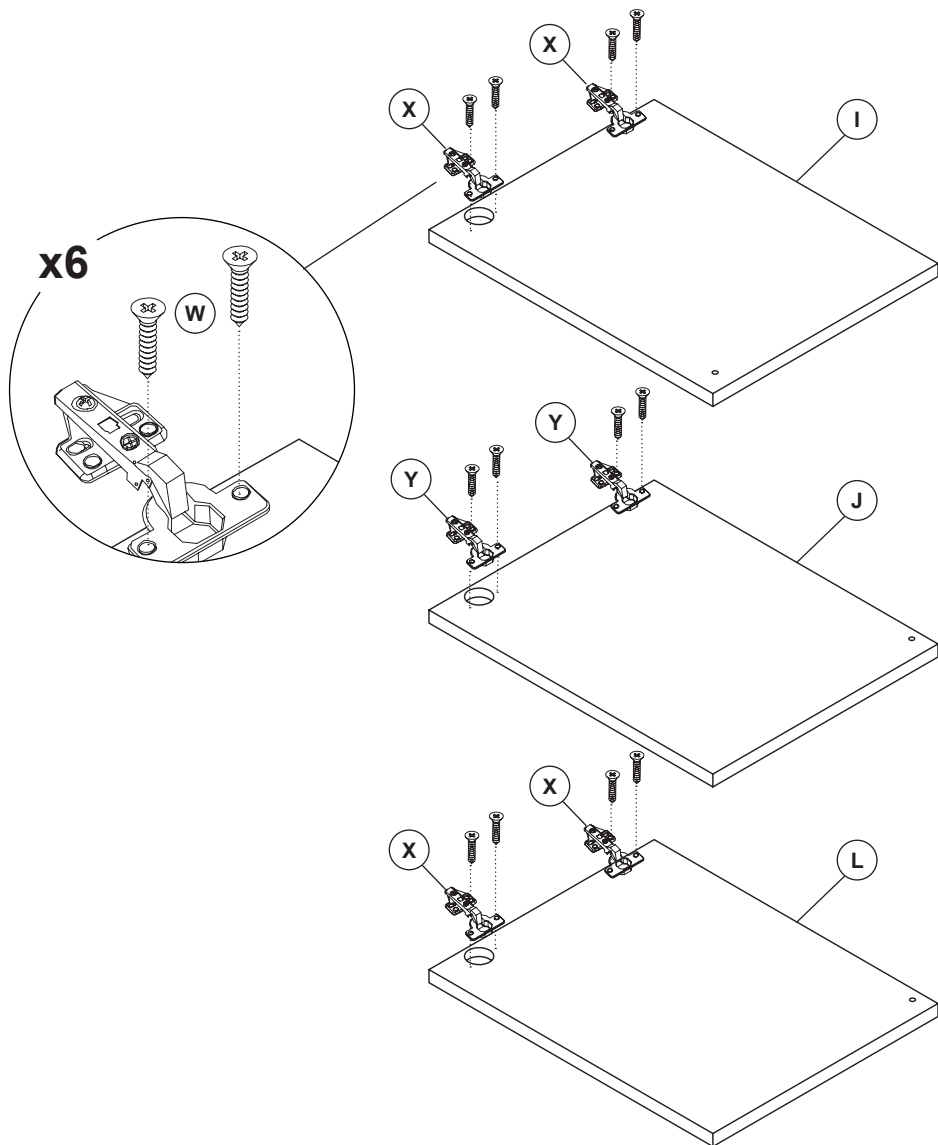




16

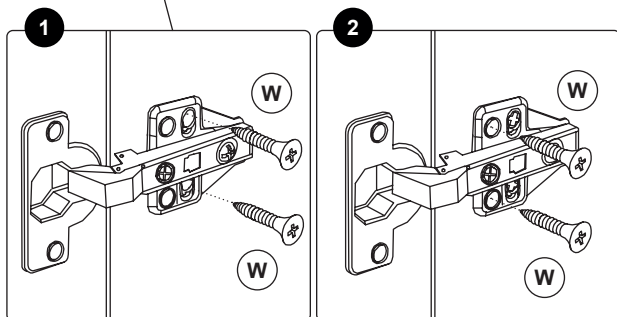
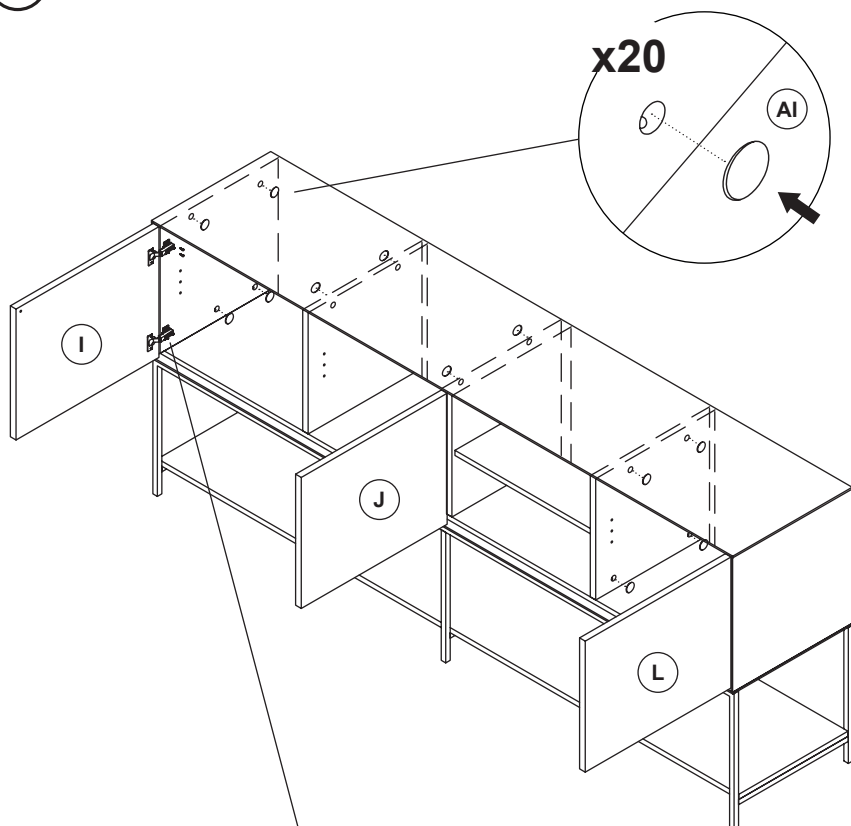


17

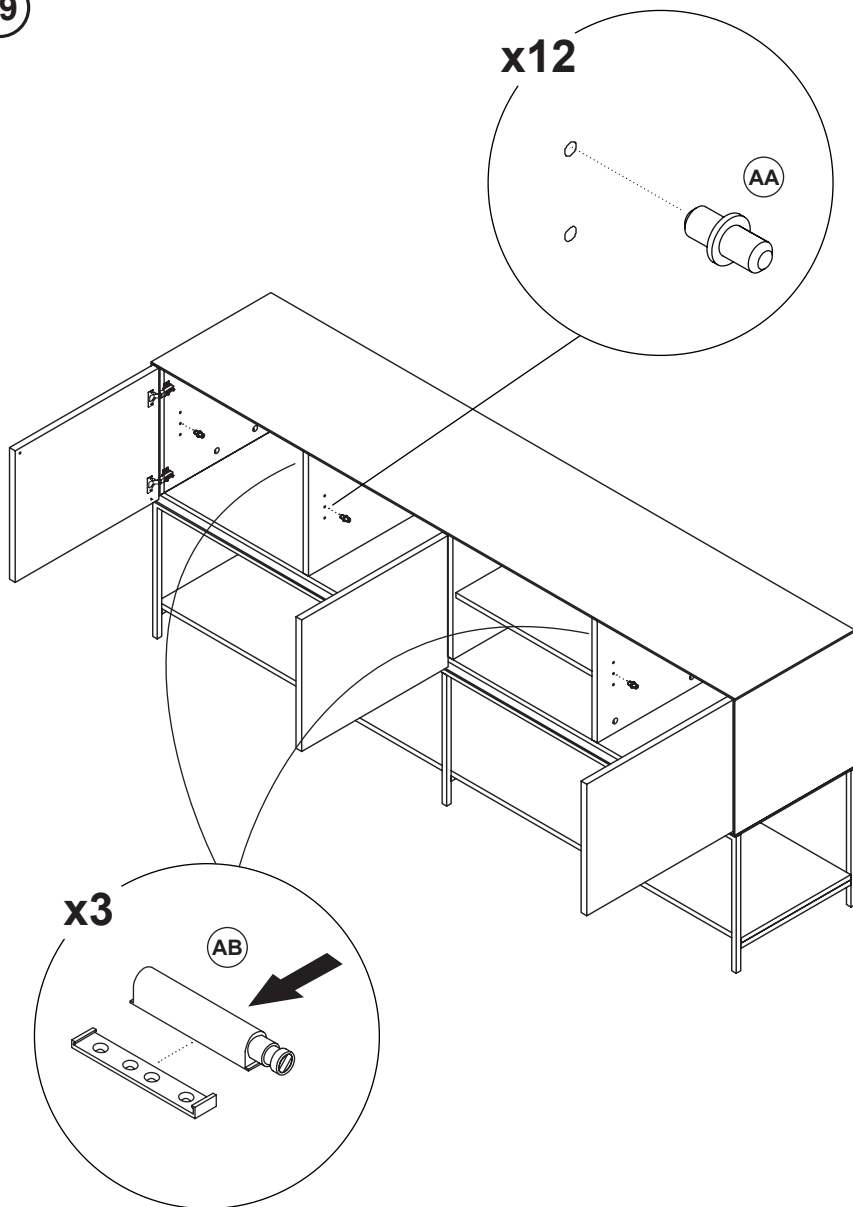




18

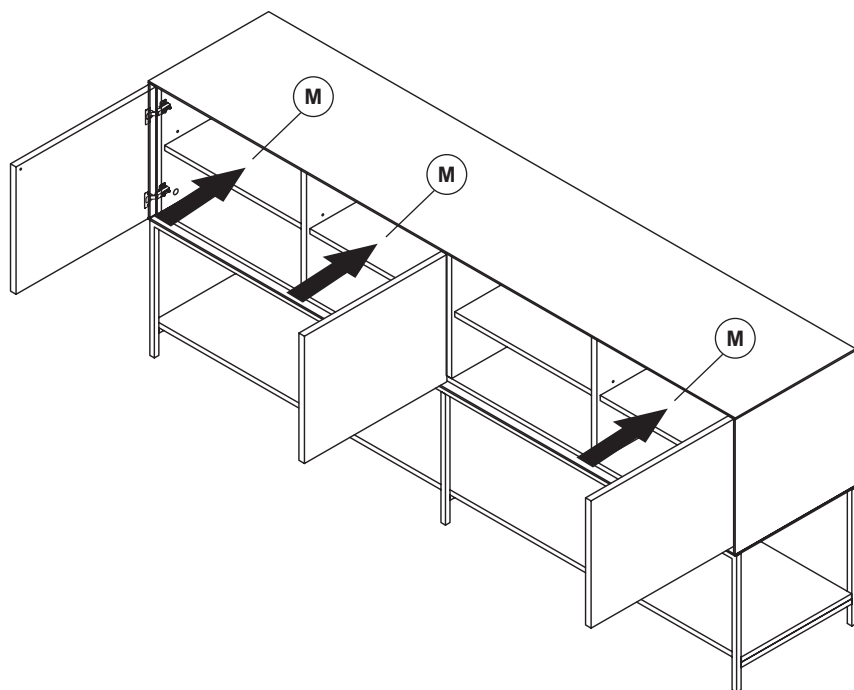


19

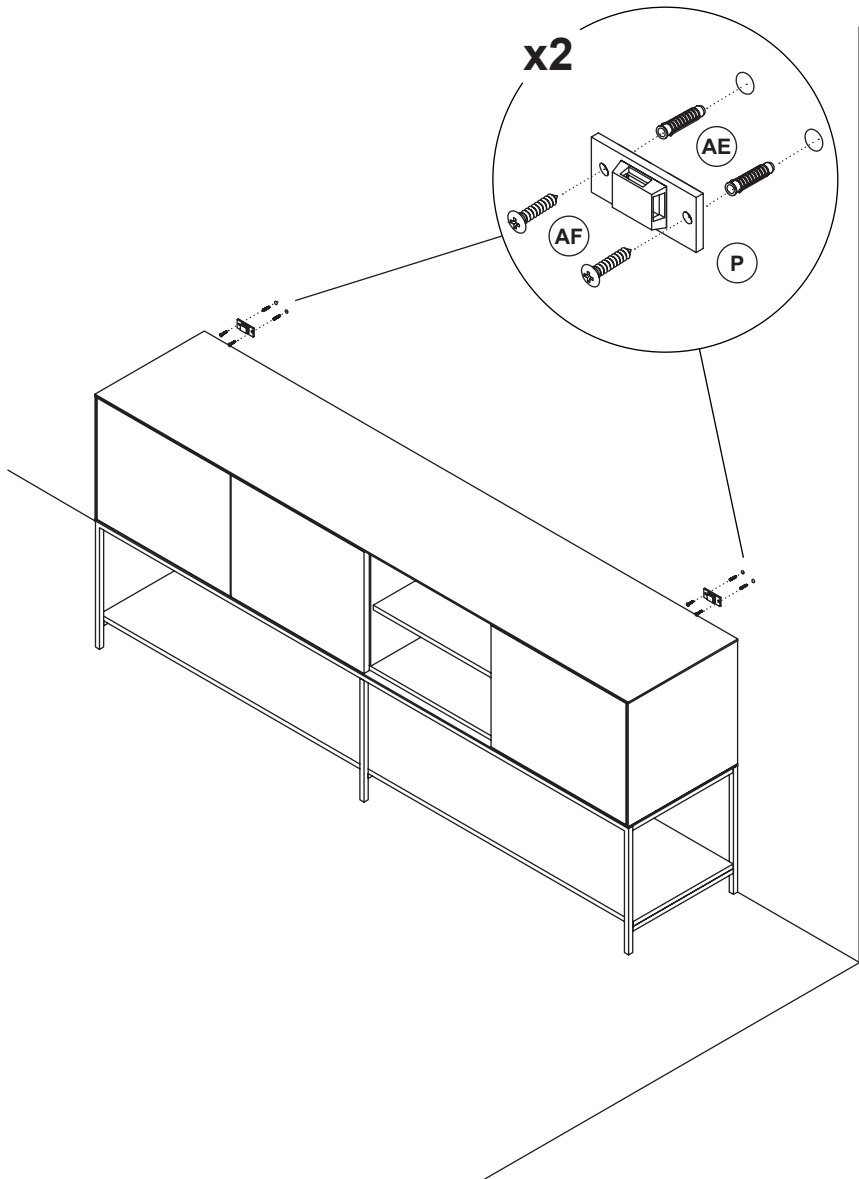




20



21



22

