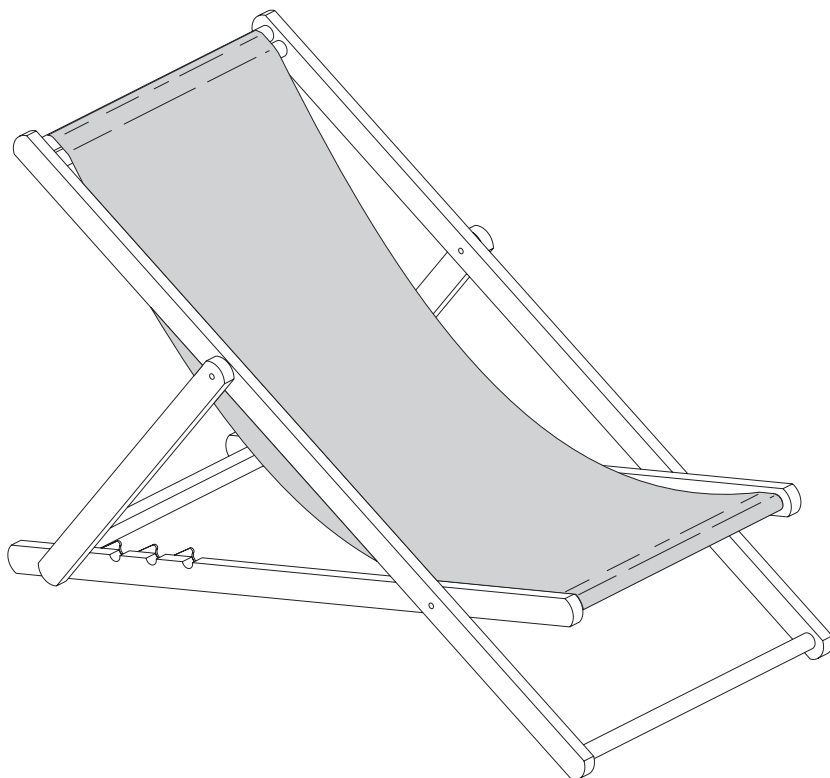
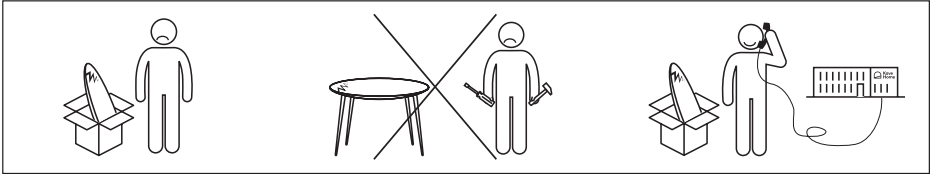




Adredna

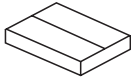




ADREDNA



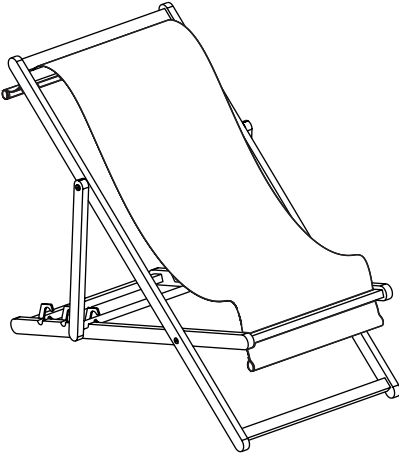
10 min



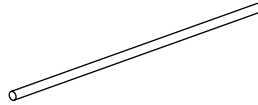
x1



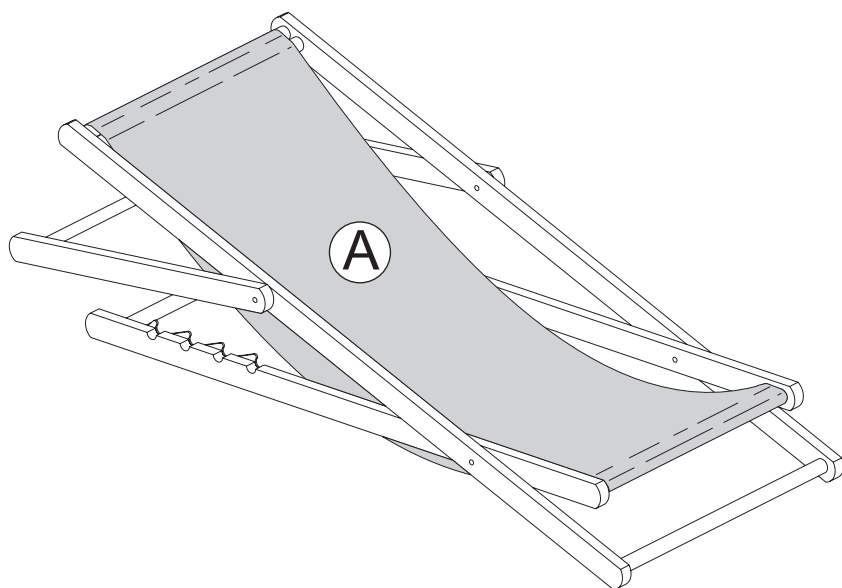
x1



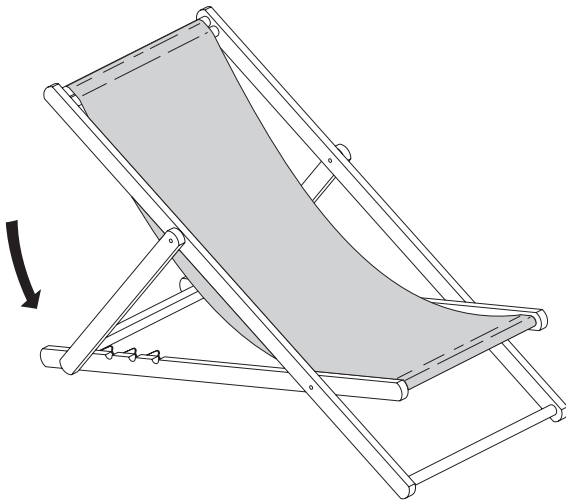
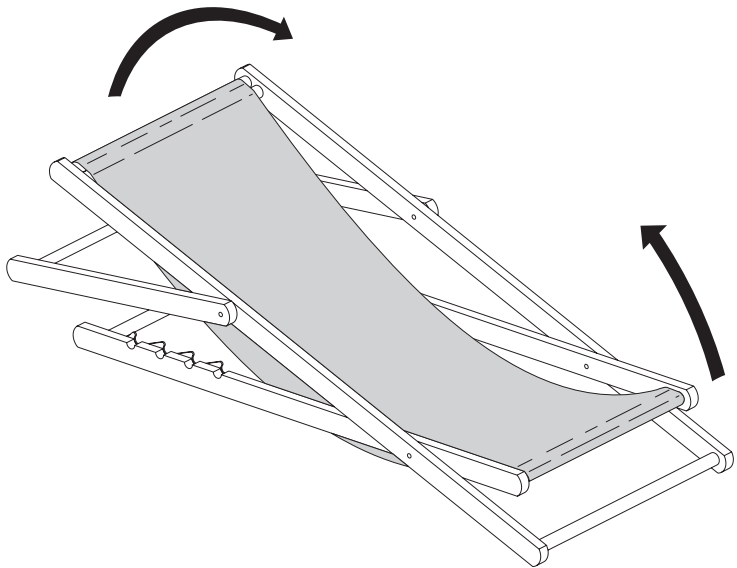
A x1



B x2

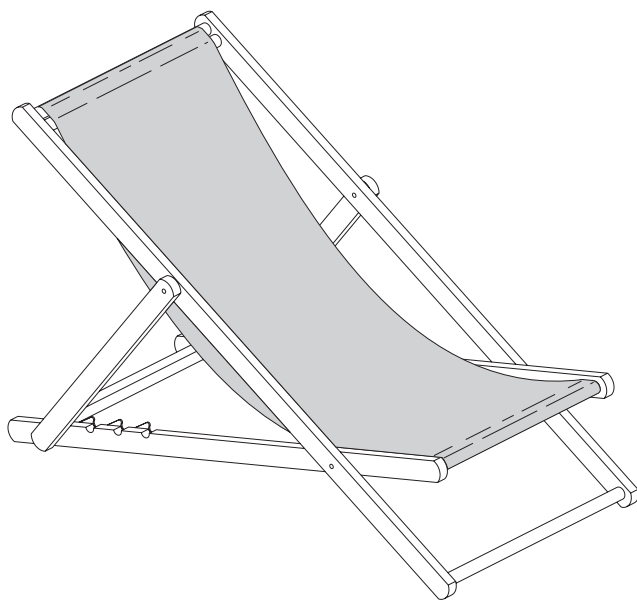
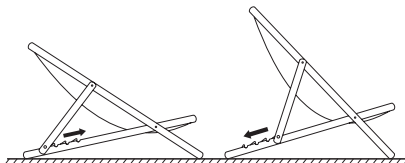


1

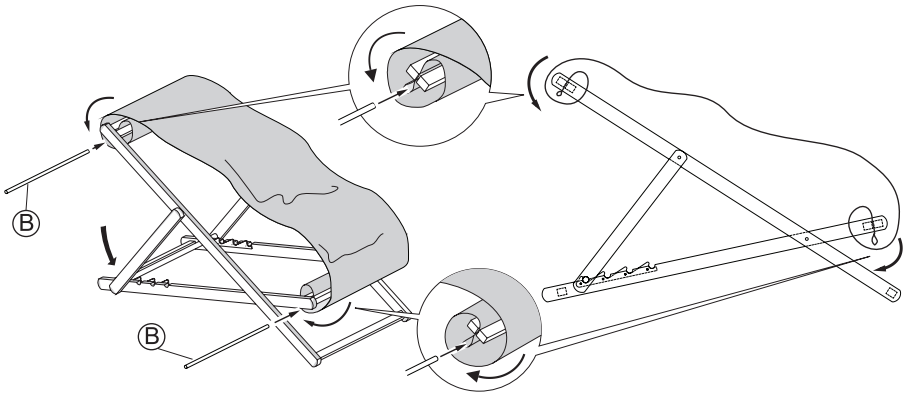
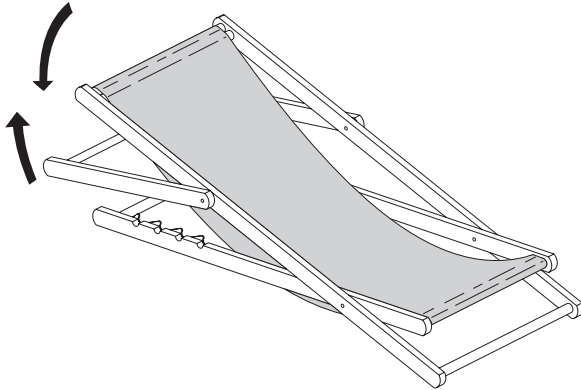




2



3



THAT'S ALL FOLKS!