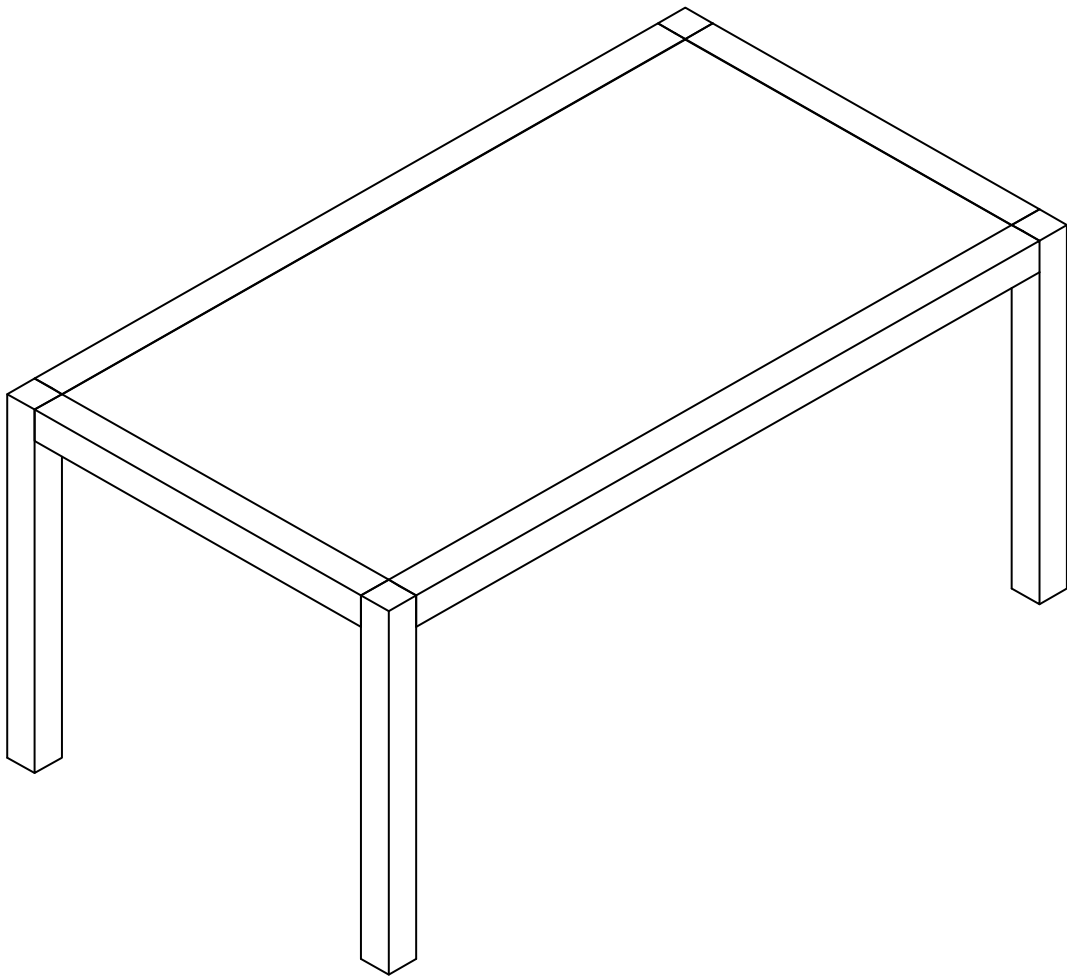
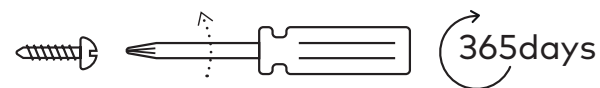
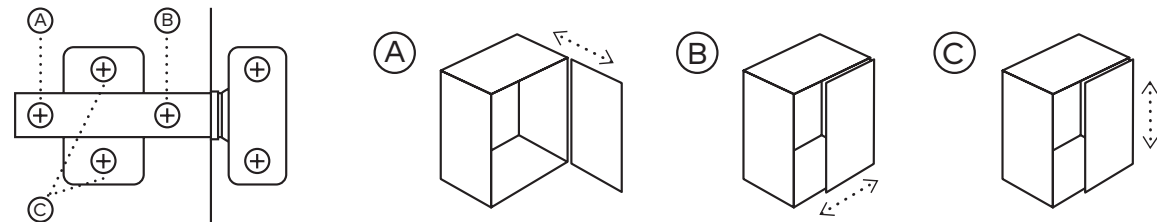
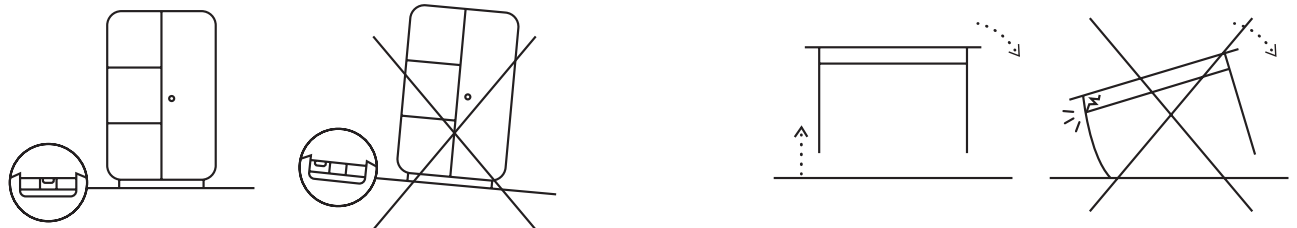
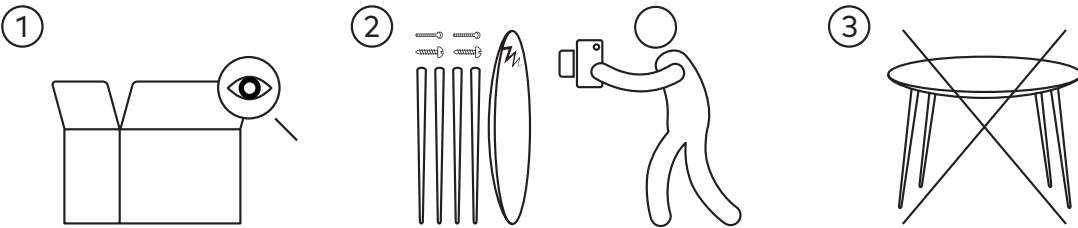
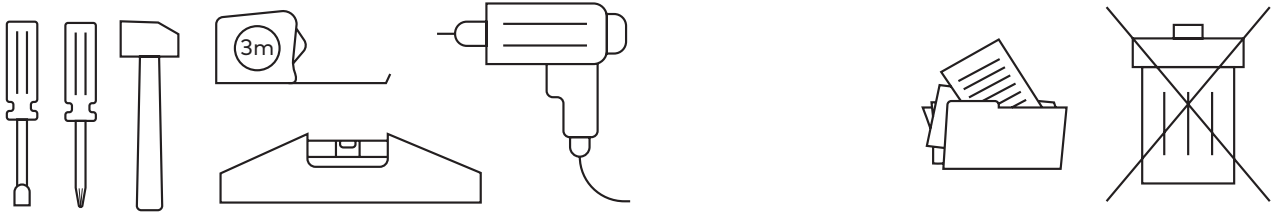
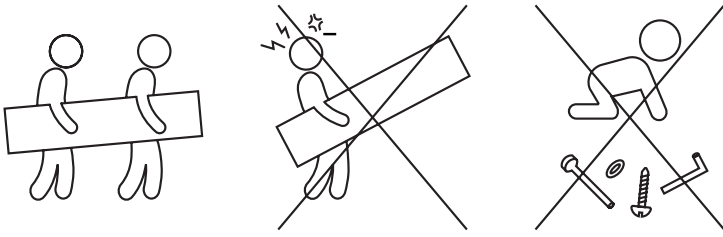




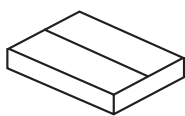
ALEN







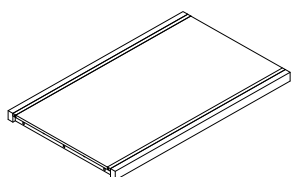
20 min



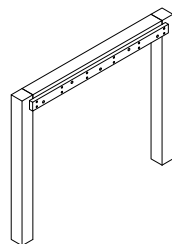
x2



x2



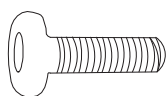
1 x1



2 x2



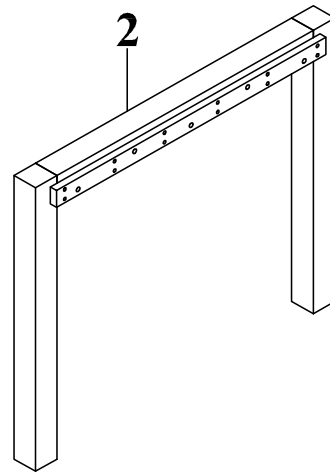
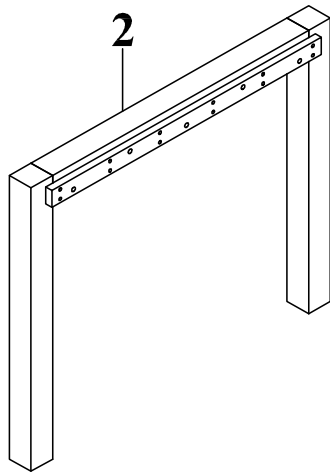
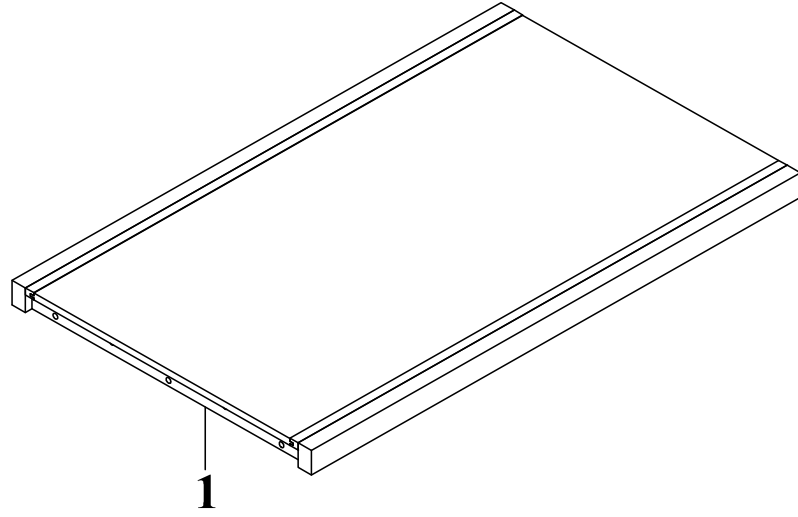
A x1 (4mm)



B x10 (M8x70)



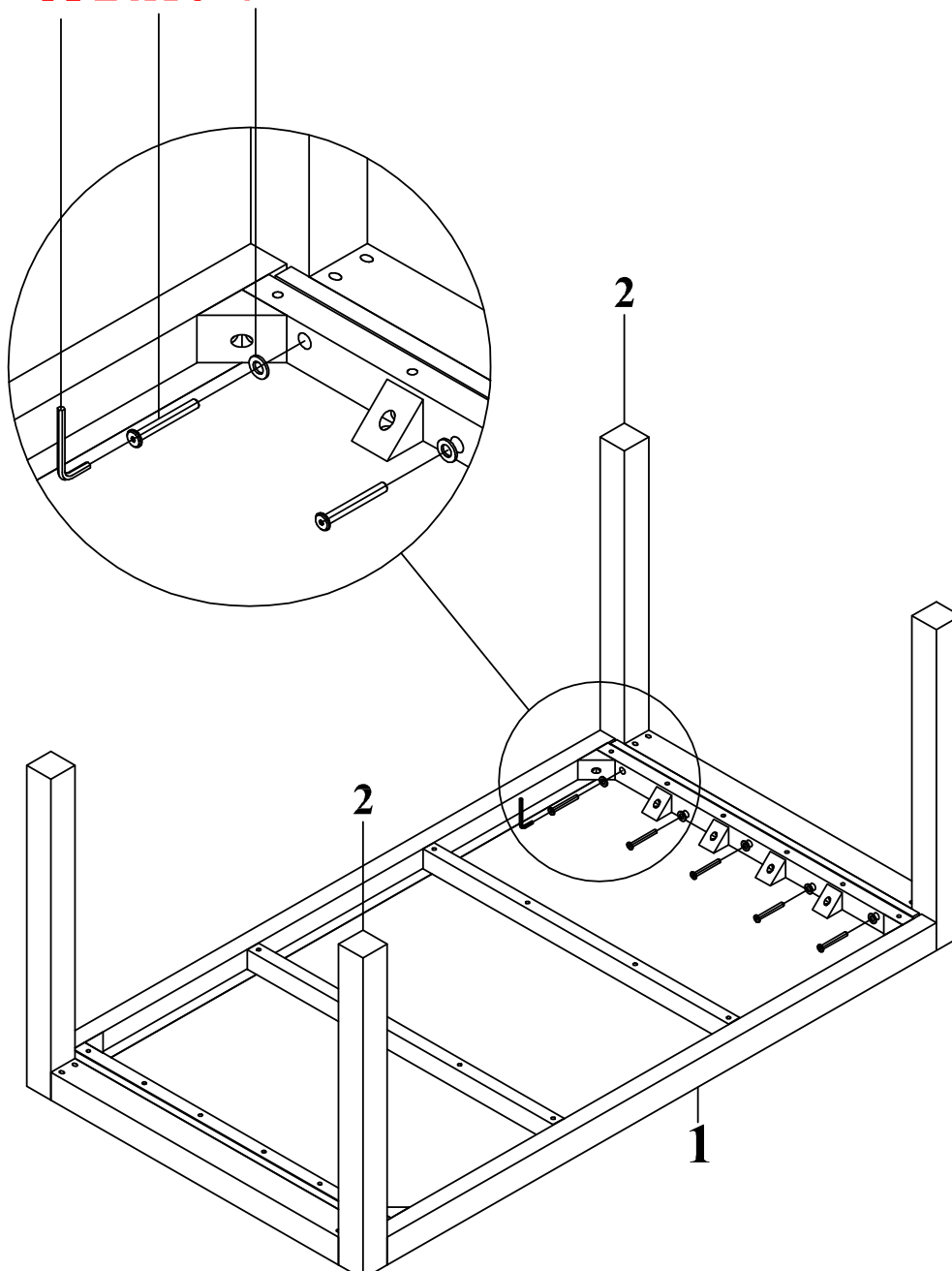
C x□□ (Ø□□/Ø□□)





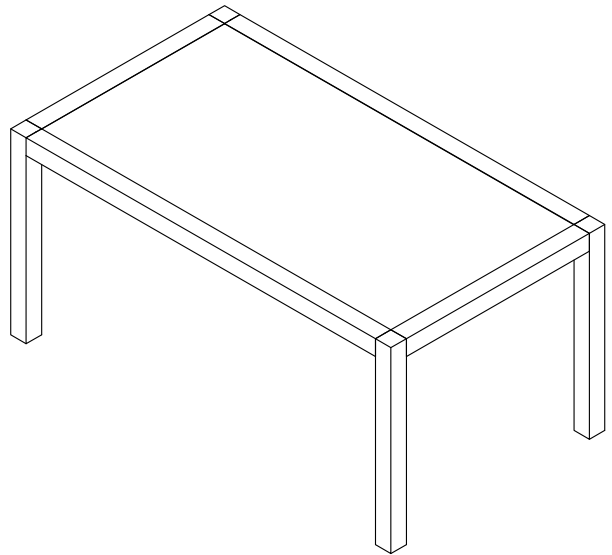
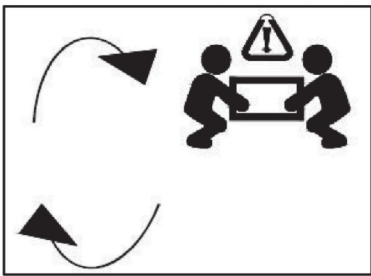
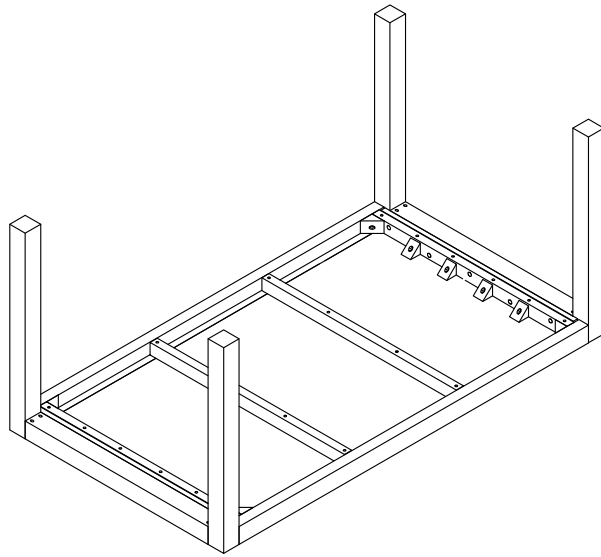
1

A Bx10 Cx10





2





THAT'S ALL FOLKS!