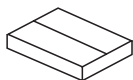




10 min



x1



x1

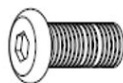
---



D x1



E x1



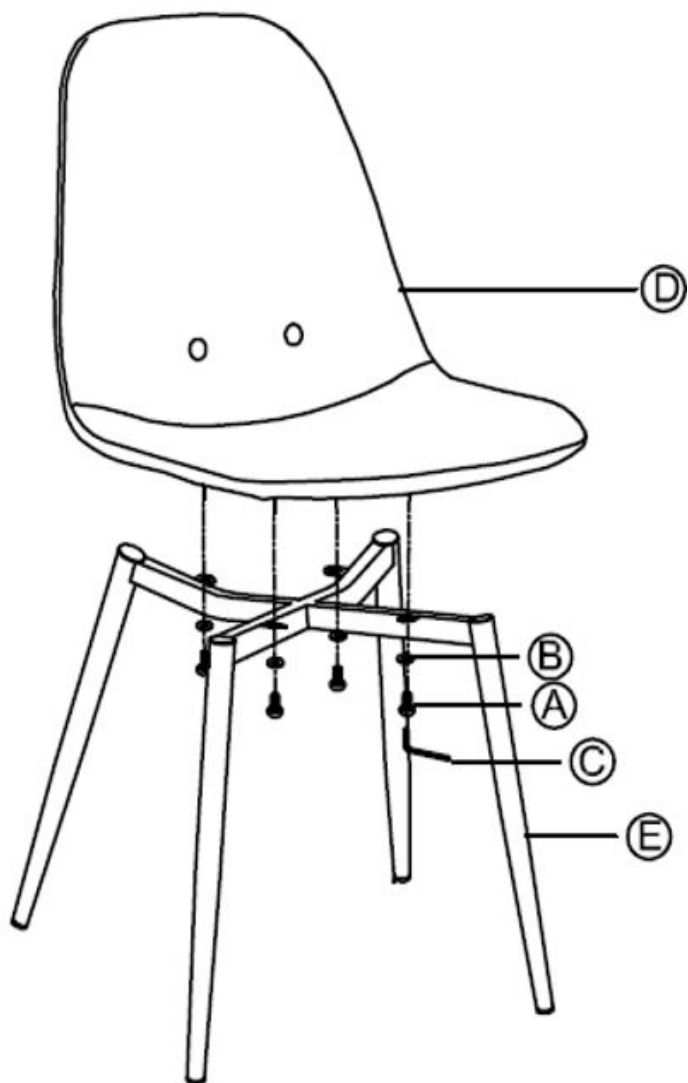
A x4 (M6x16)



B x4 (Ø6)



C x1 #5





1

