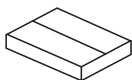




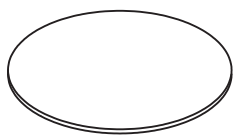
20 min



x2



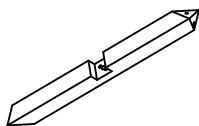
x2



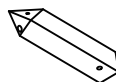
① x1



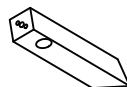
② x1



③ x1



④ x1



⑤ x1



Ax2 (M8x180mm)



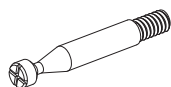
Bx1 (\varnothing 12x130mm)



Cx2 (\varnothing 12x18mm)



Dx3 (\varnothing 15x14mm)



Ex3 (M6x50mm)



Fx2 (30x15mm)



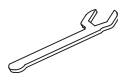
Gx2 (M8)



Hx2 (M8x16mm)



Ix2 (M8x5mm)



Jx1



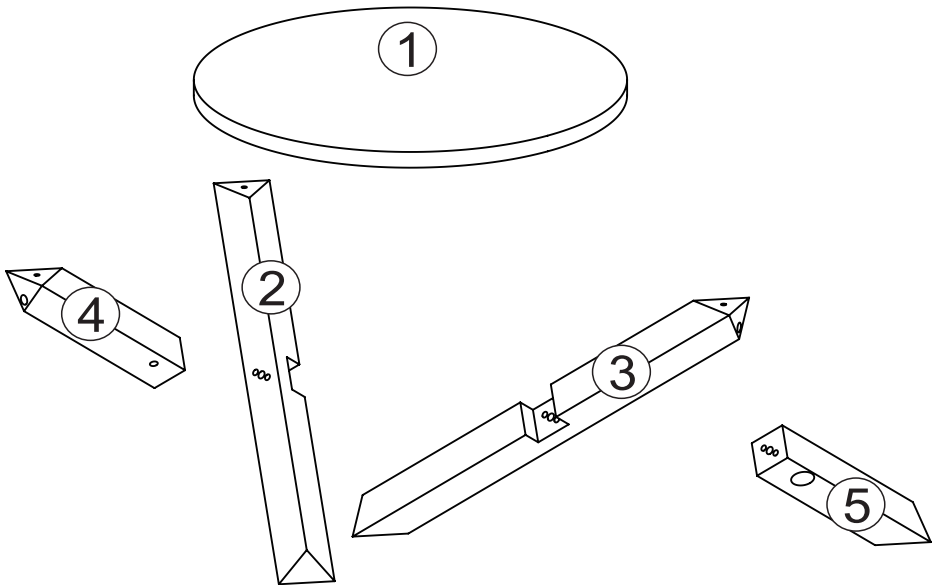
Kx2



Lx3

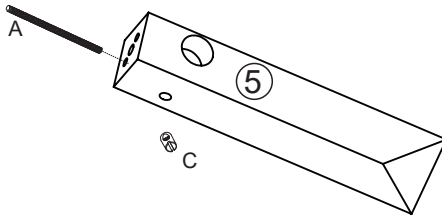
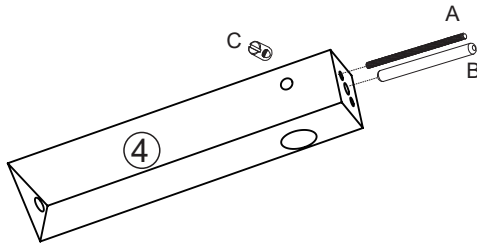
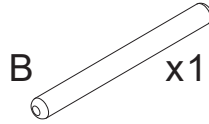


Mx2



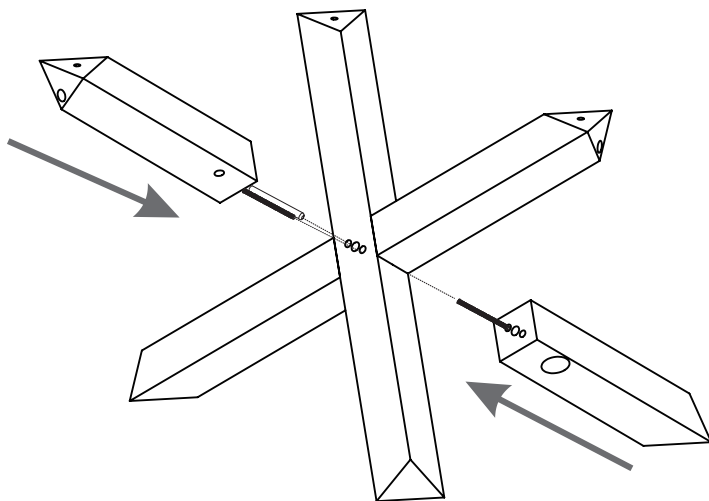


1





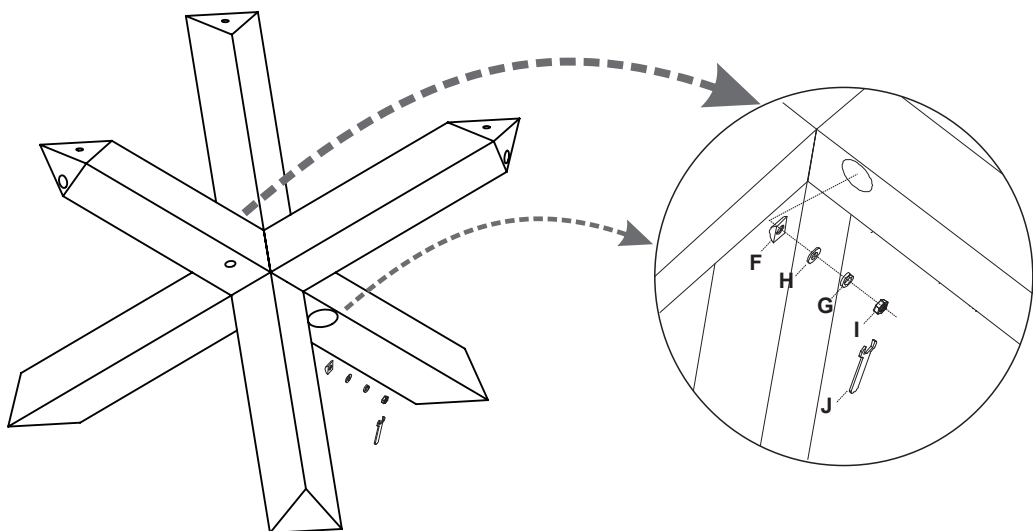
2





3

F  x2 G  x2 H  x2 I  x2 J  x1



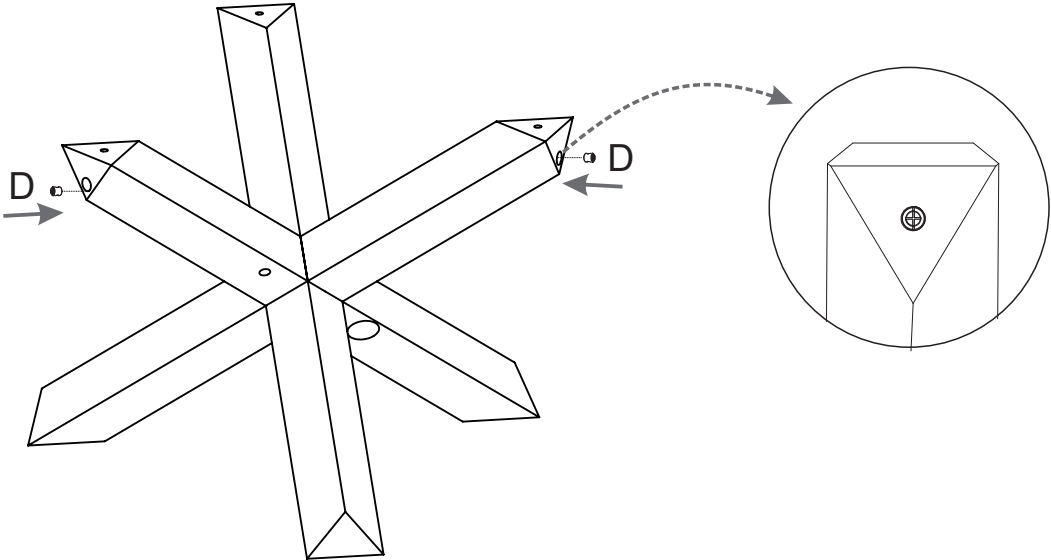


4

D



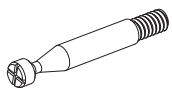
x3



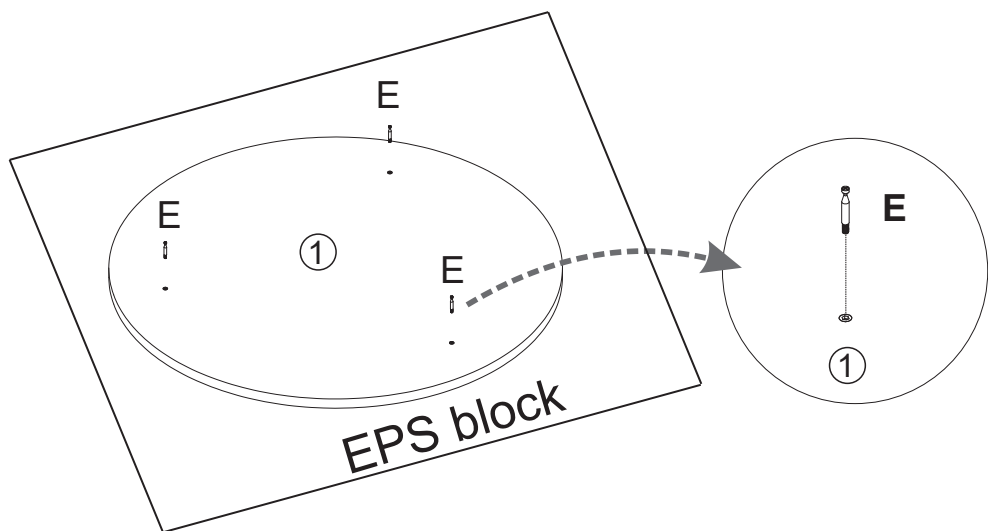


5

E

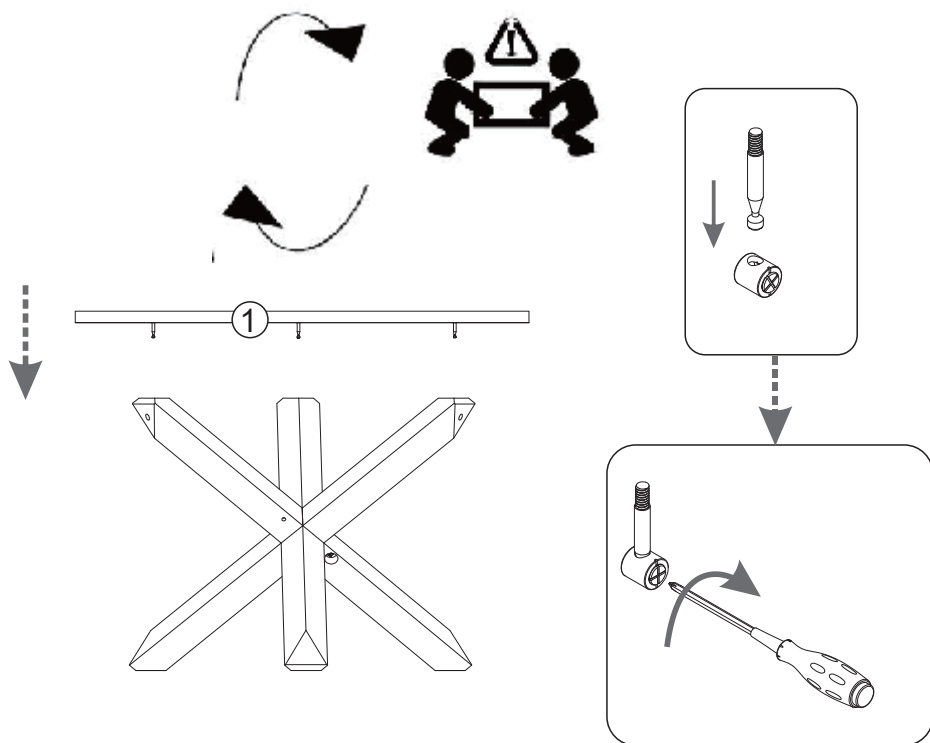


x3





6





7

