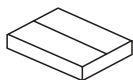




10 min



x1



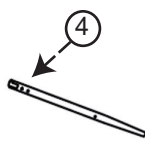
x1



F x1



G x2



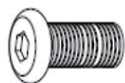
H x2



I x1



J x1



A x12 (M6x16)



B x4 (Ø6)



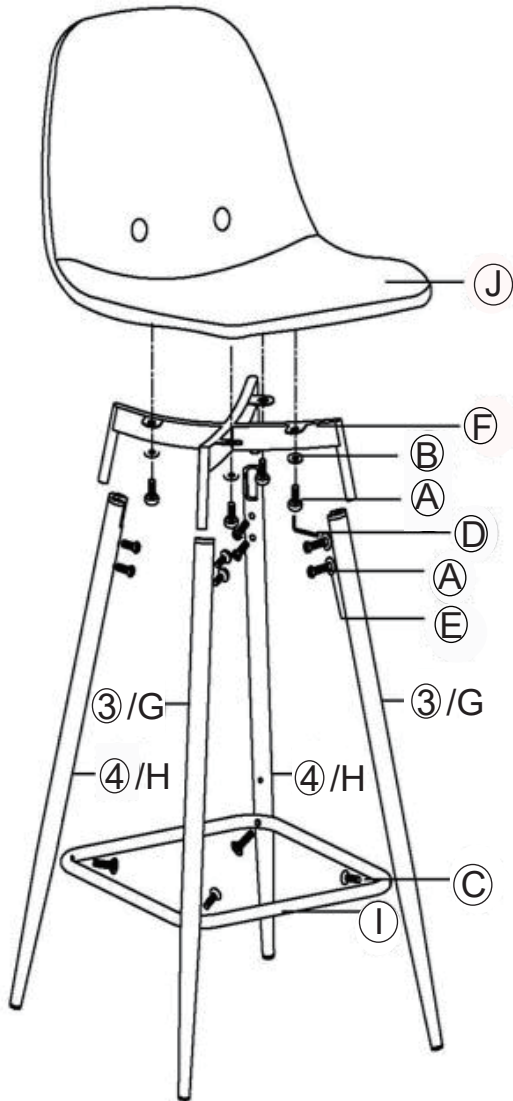
C x4 (M6x20)



D x1 #5

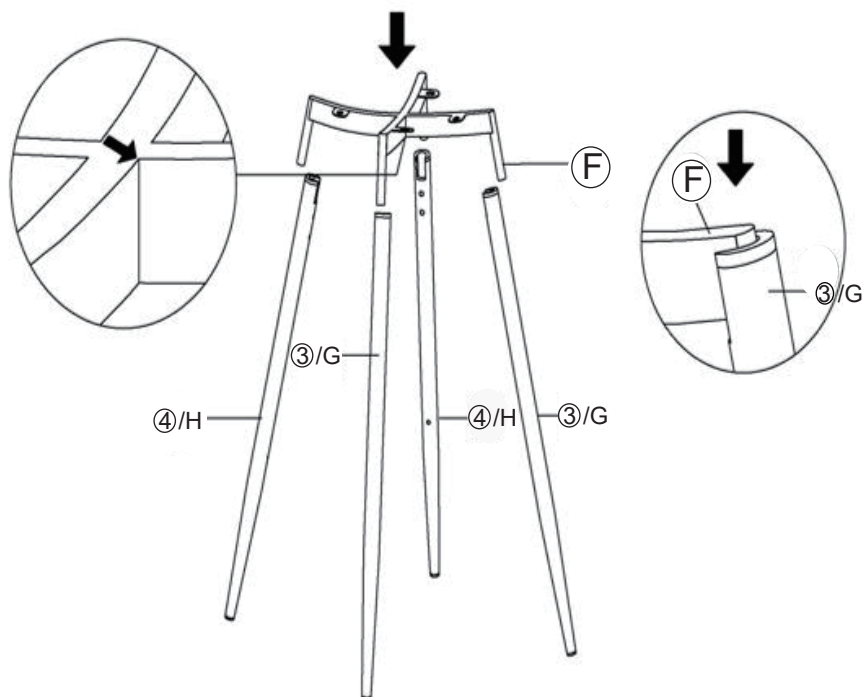


E x8 (Ø6)



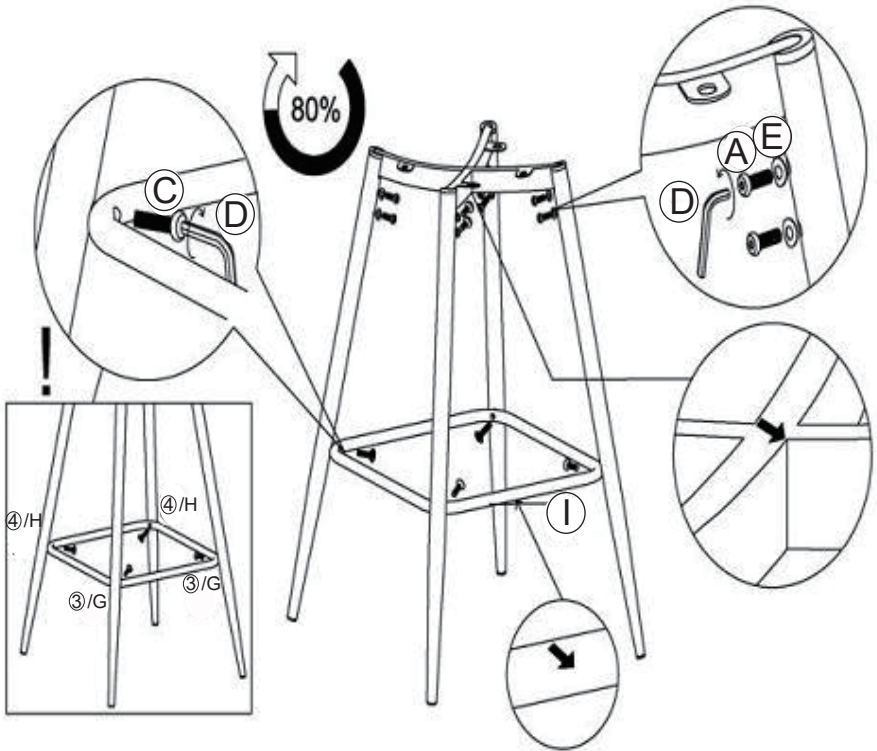


1



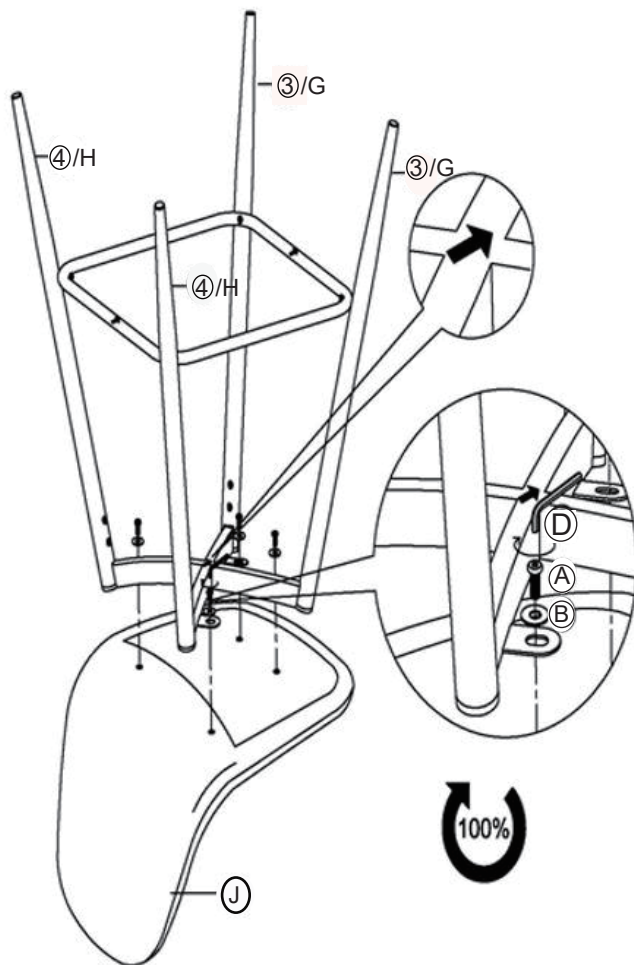


2





3





4

