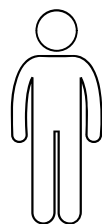


20 min



x1



x2



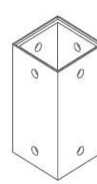
(1) x1



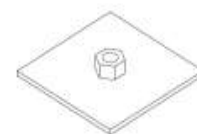
(2) x2



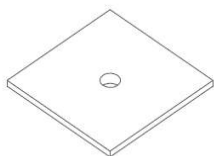
(3) x2



(4) x1



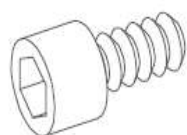
(5) x1



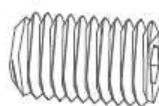
(6) x1



A x1



B x8



C x8



D x1



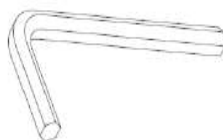
E x4



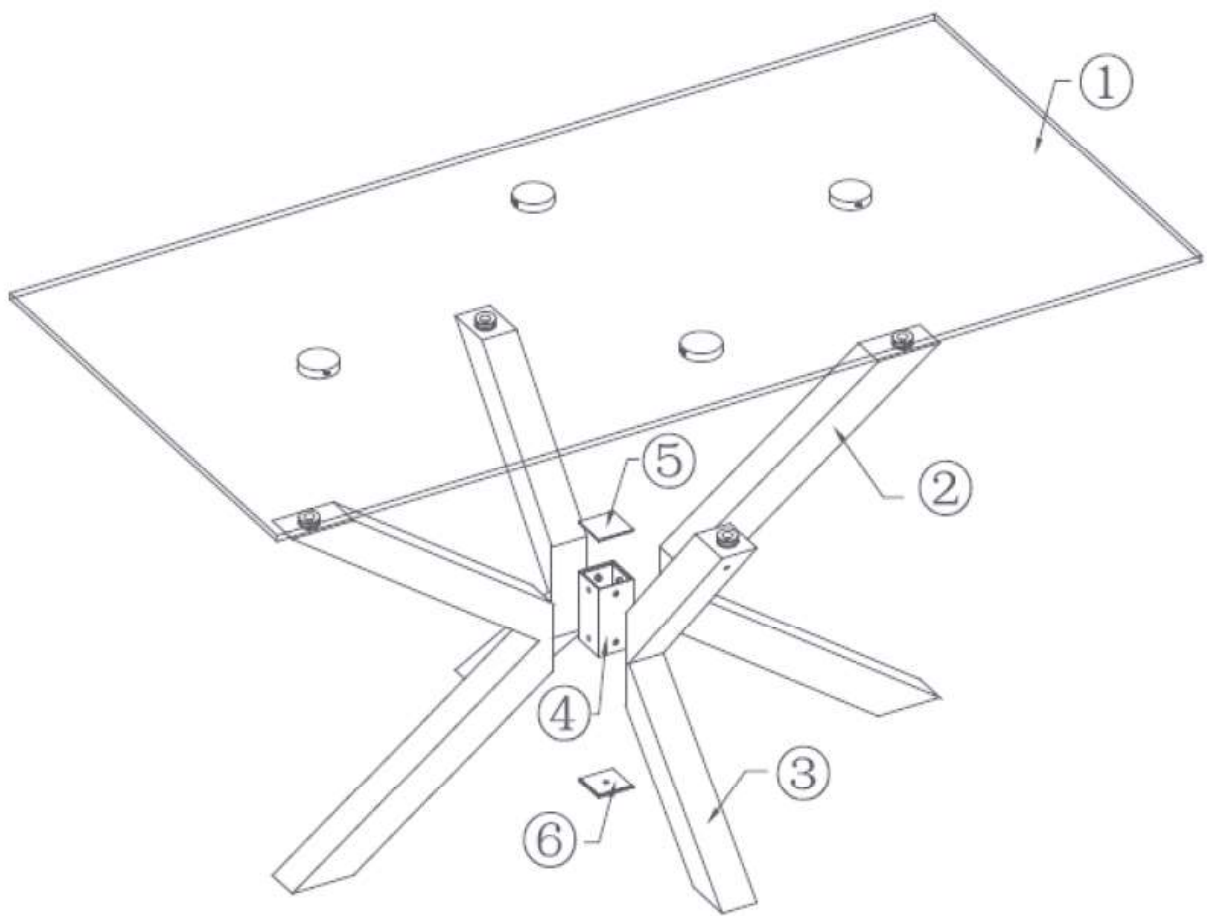
F x1



G x1

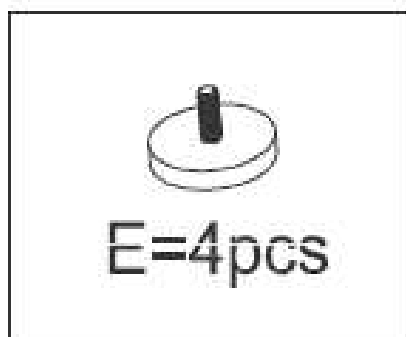
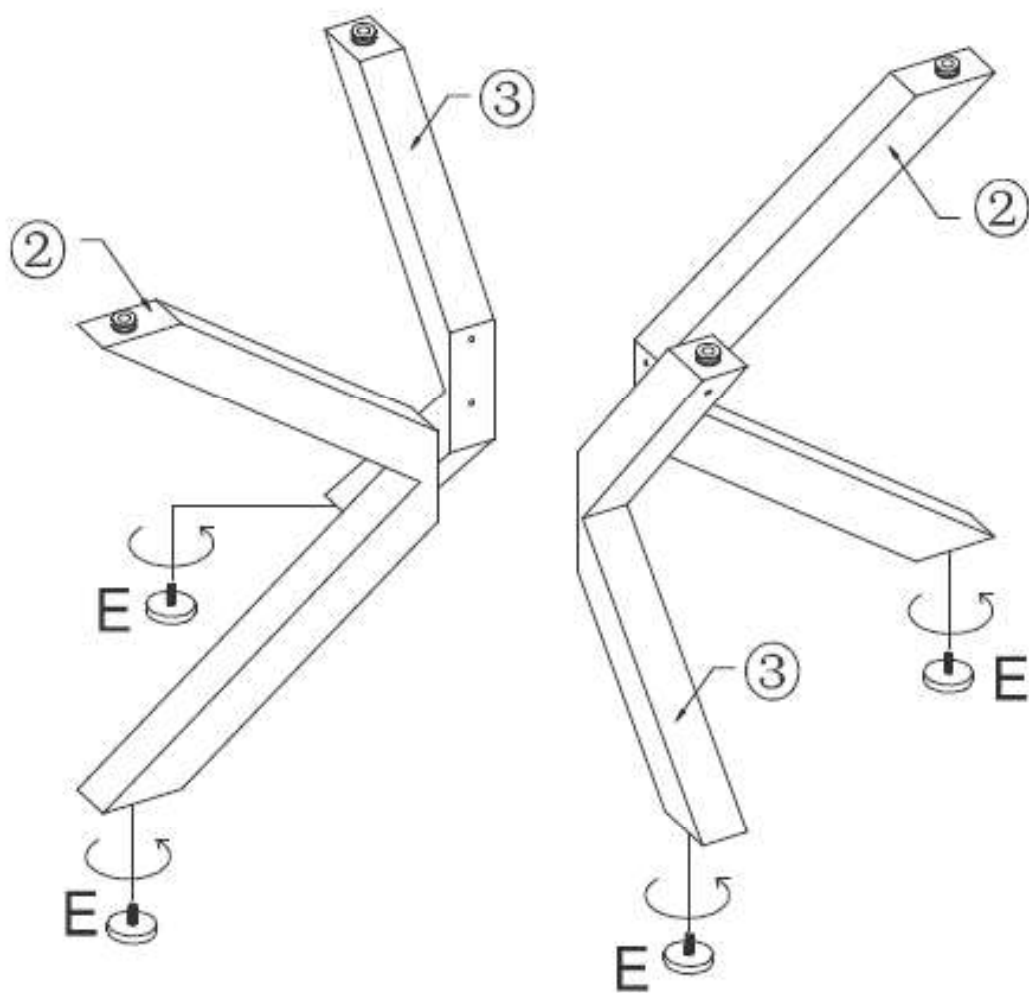


H x1



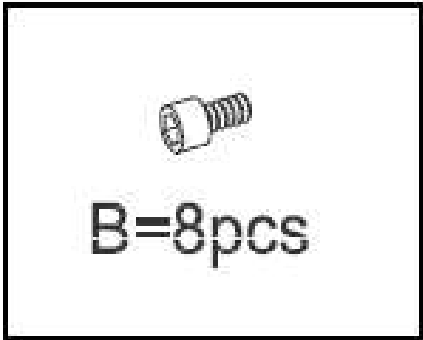
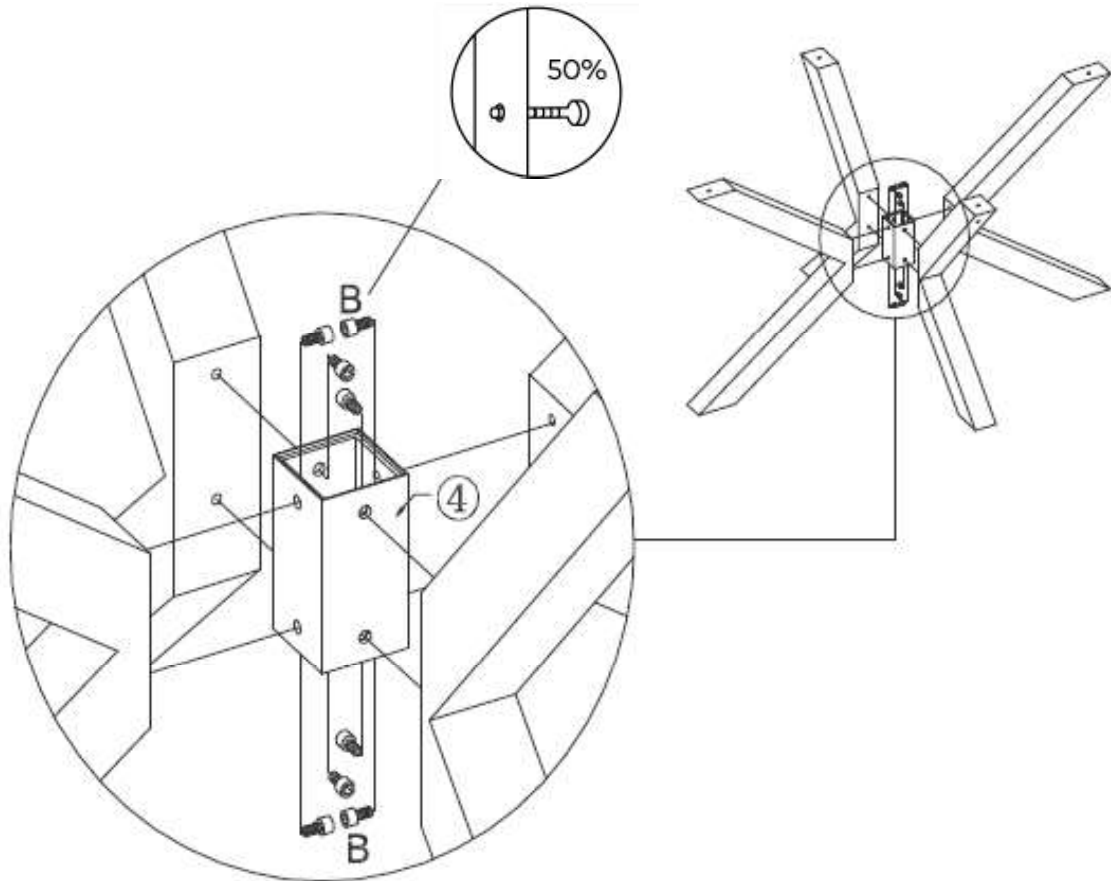


1



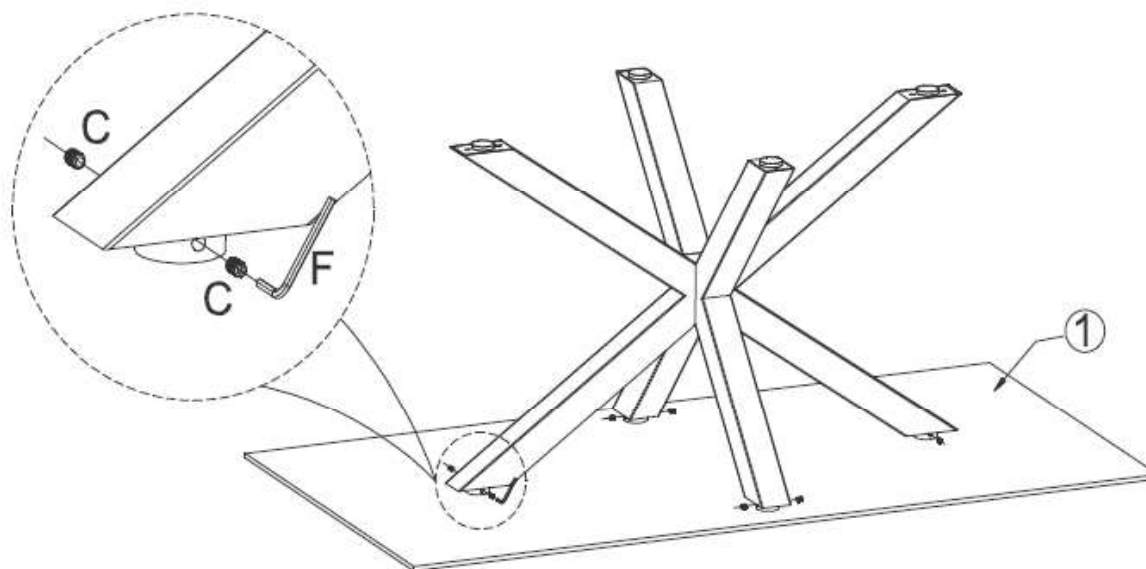


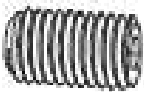

2





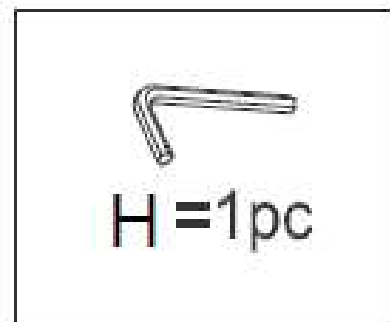
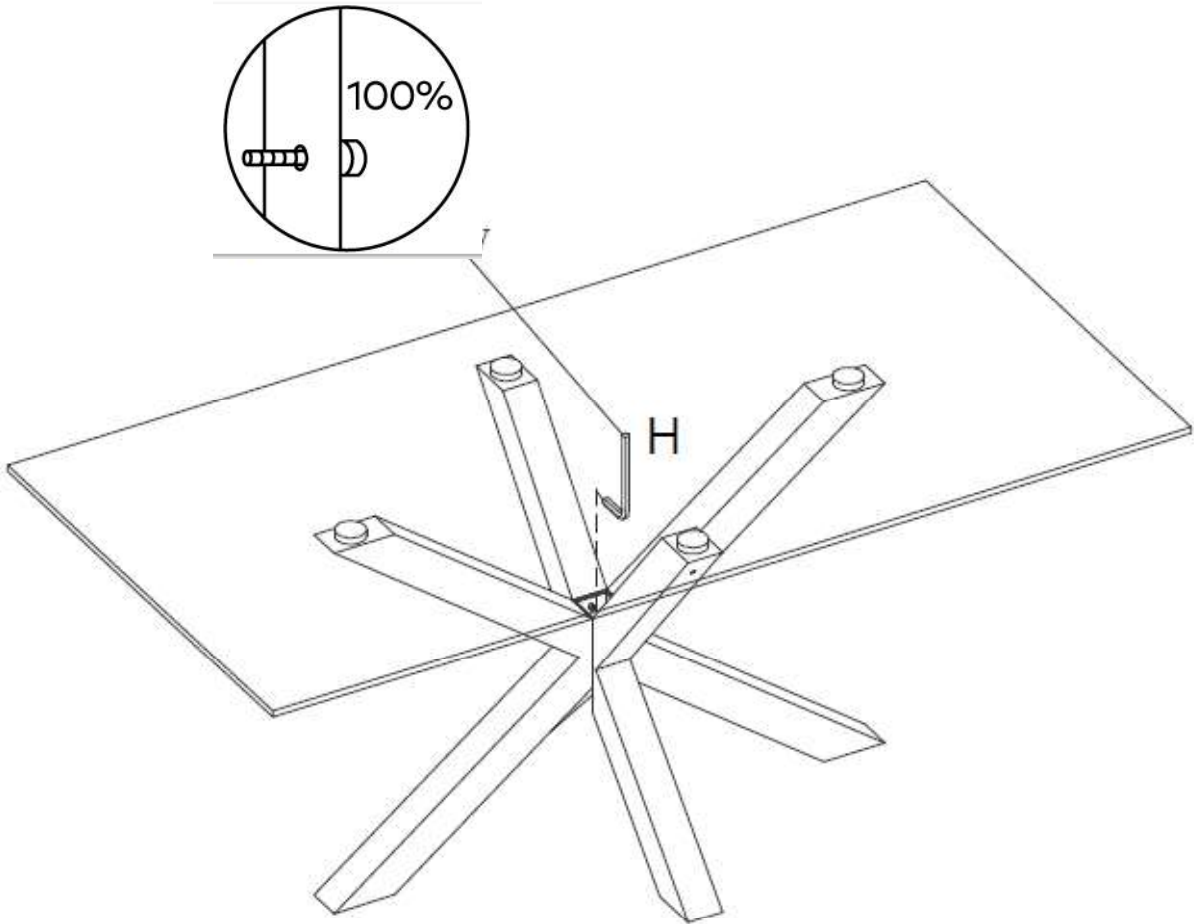
3



 C=8pcs	 F=1pc
---	--

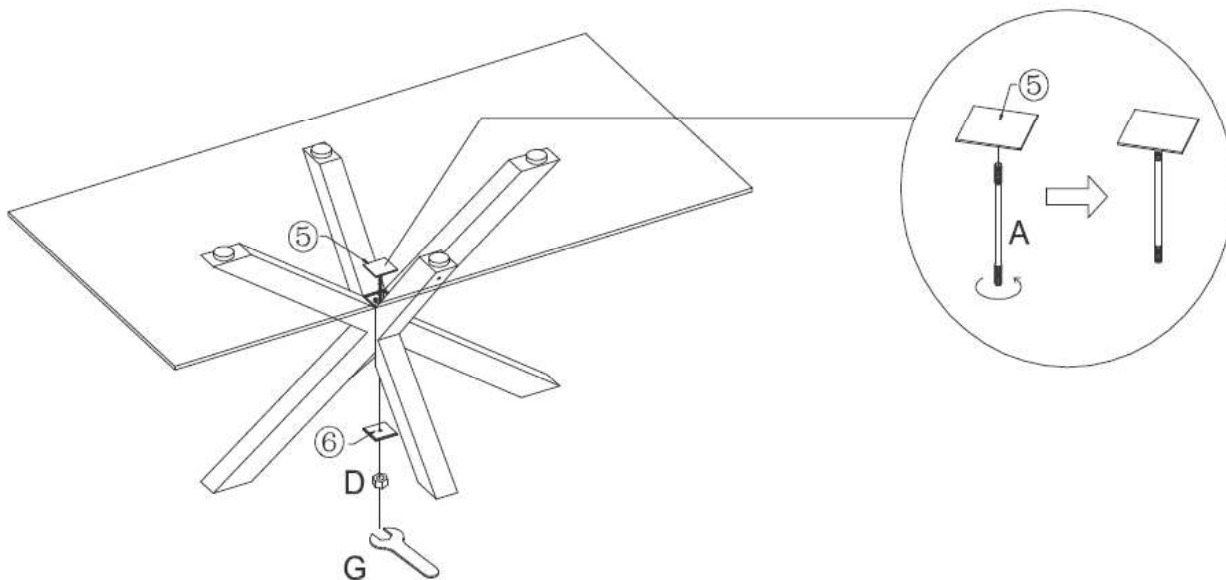




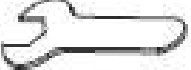
4





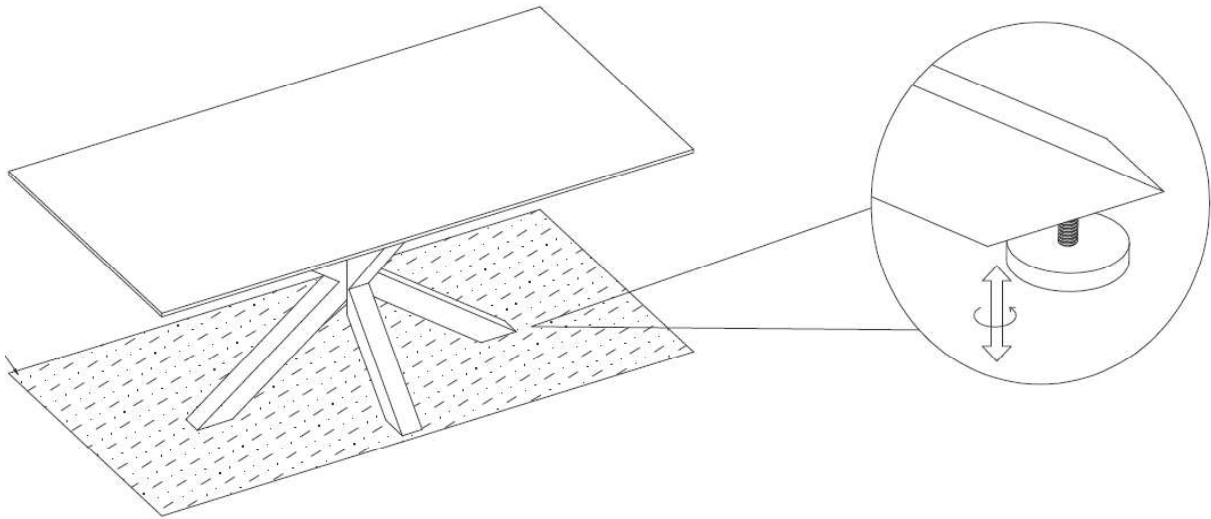
5



 A=1pc	 D=1pc	 G=1pc
---	---	---



6





THAT'S ALL FOLKS!