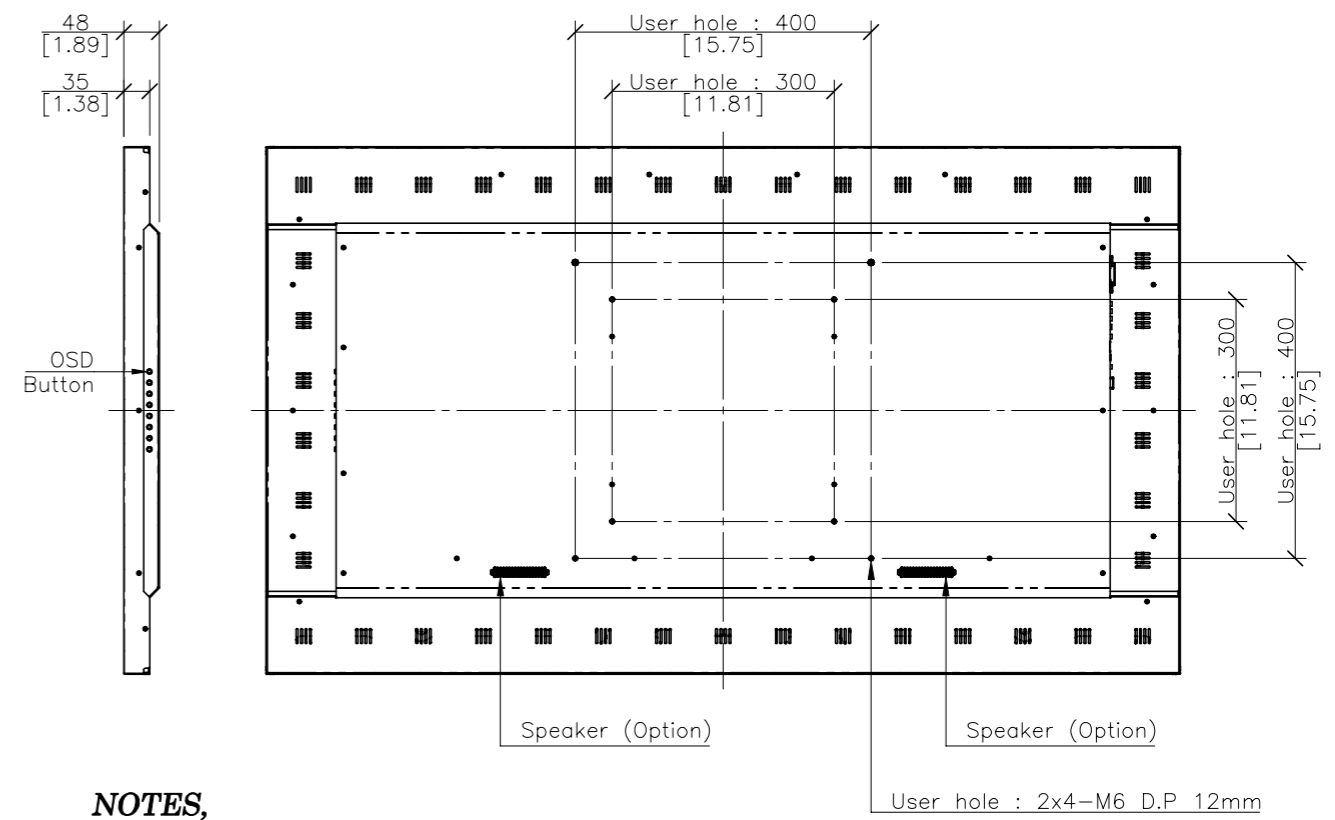
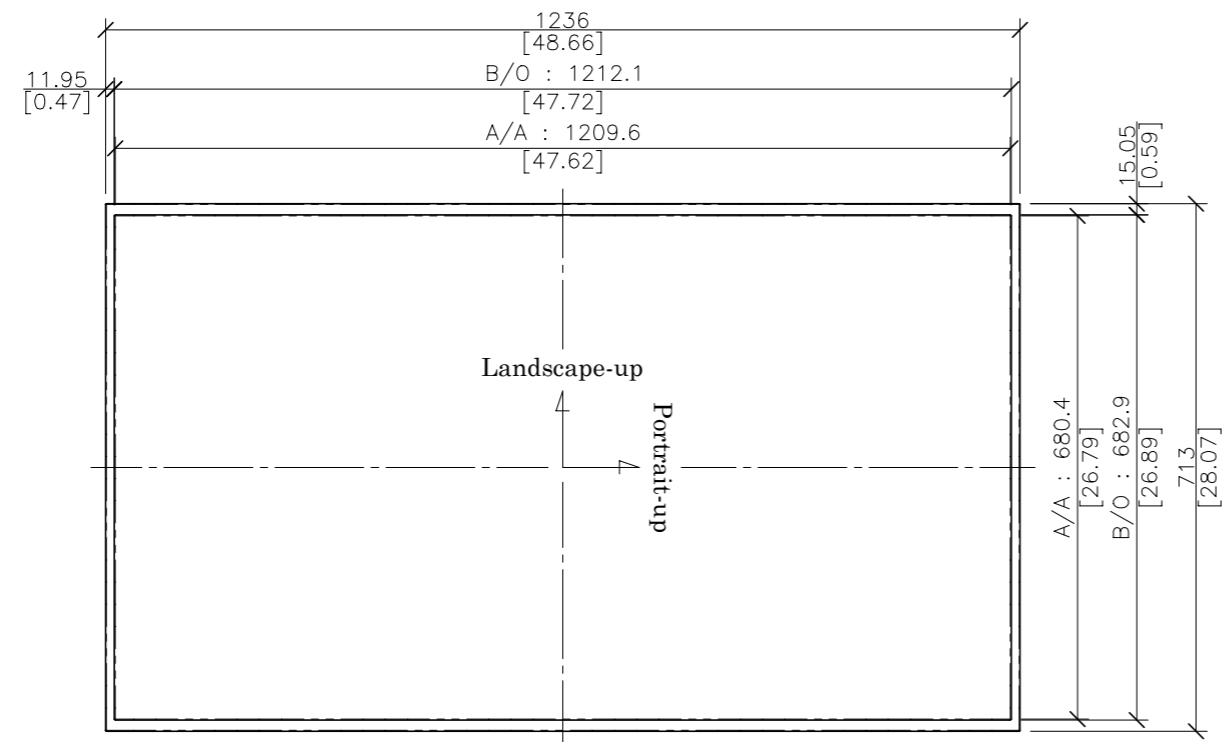
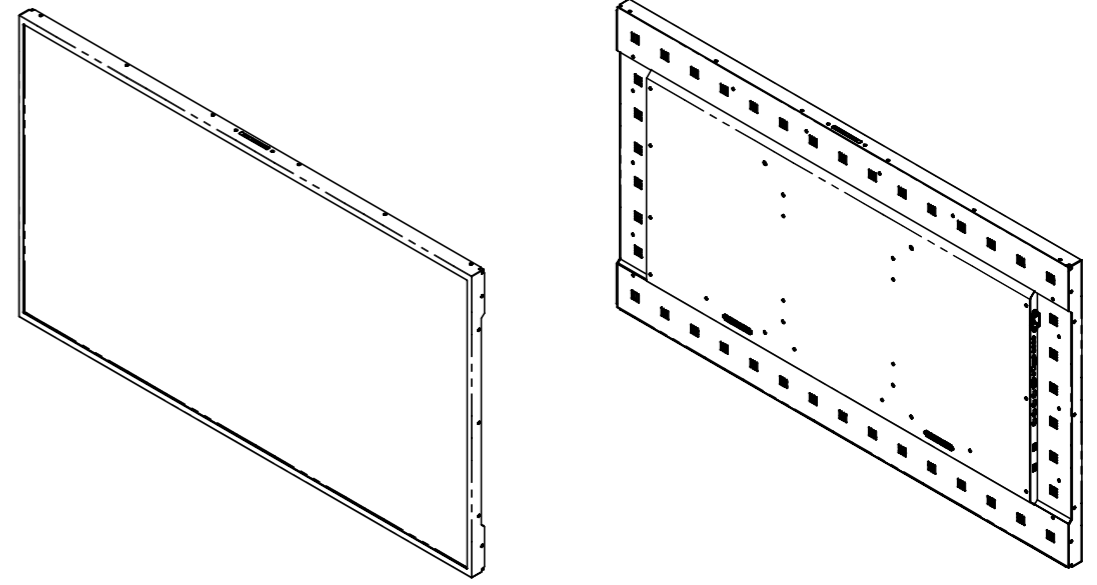
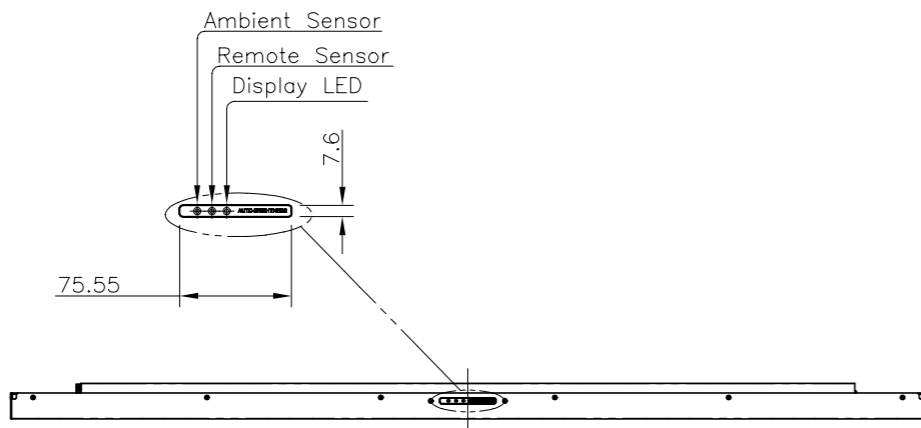


This drawing is the property of HYUNDAI IT CO.,LTD. and should not be disclosed to any third party without prior permission of HYUNDAI IT CO.,LTD..

REV. NO		REV. HISTORY	LTR	ECO NO	DATE	APPR'L
DWG	PART					
00	00	INITIAL RELEASE	-	-	-	-



- NOTES,**
- LCD Panel : 55" LED PANEL**
 - Material : E.G.I**
 - Color : Black**

DRAWN	PLANNED	CHECKED	APPROVED	UNLESS OTHERWISE SPECIFIED ALL DIMENSION ARE IN MILLIMETERS	ANGLE 3rd.	TITLE : D55XMD EXTERIOR VIEW	UNIT : mm	
Y.C.CHOI	S.W.SEO	S.H.JANG	Y.T.KIM		TOLERANCES ARE : LINEAR : X ± 0.2 X ± 0.1 XX ± 0.01 ANGLES : ± 0.1° RADH UNLESS NOTED : R 0.3		SCALE : 1/10	TYPE : ASSY
"21.07.15	"21.07.15	"21.07.15	"21.07.15	MODEL NAME (CODE): D55XMD FILE NAME : LAYOUT_D55XM_210715.DWG	CUSTOMER. HDIT	DWG REV : 00	DWG(PART) NO. D55XMD_001	SIZE : A3
HYUNDAI IT CO., LTD.						SH'T NO : 1/1		