

INDOOR DIGITAL SIGNAGE

LARGE SIZE FORMAT APPLIED SCREEN

CLASS

MODEL

43" D43AMNI

KEY FEATURES

- LED BLU, Slim Design
- Power Consumption Reduced at 40% Compared to Normal Display
- Built in Video Wall Function
- High Connectivity
- Remote Control (RS232)
- USB Plug & Play (JPG & MP4)
- High Fidelity Audio Output (SPDIF)
- Touch Screen



HYUNDAI

Broadcast your branding with HYUNDAI IT Digital Signage!

Thanks to the advanced product design, HYUNDAI IT Digital Signage Display meets requirements for various digital signage solutions. Not only take advantage from slim and simple design, but also think more about our future environment, saving energy up to 40 percent. LED technologies bring more than just expected.



HYUNDAI

SPECIFICATIONS

Model		D43AMNI
Panel	Screen Size (diagonal)	43"
	Active Display Area (inch / mm)	37.04 x 20.84 940.89 x 529.25
	Resolution	1920 x 1080
	Aspect Ratio	16 : 9
	Display Colors	16.7 M
	Brightness (cd/m ² ; typ.)	400
	Contrast Ratio	1200:1
	Response Time (ms; GTG)	8
	Viewing Angle	178°/178°
	Lifetime (hours)	30,000
Touch Screen	Backlight type	LED
	Available Touch Point	1 ~ 20 Point
	Response Time (ms)	1P Touch : 5 / 20P Touch : 15
	Tempered Glass	3.2T
	Minimum Touch Object (mm)	Single Touch : Ø 6 Multi Touch : Ø 8
	Interface	USB 1.0 / USB 2.0 Full speed / USB3.0
	Detection Method	Infrared Rays
Resolution	HID (Mouse Click)	Windows / Linux / Mac / Android
	Monitor	1920 x 1080
Input	1xVGA 3xHDMI 1xPC Audio 1xRS232C 1xUSB(MMP) 1xIR 1xDPI(Optional) 1xRJ45(Optional)	
	Media Player (USB)	Movie : MPEG-2 MPEG-4 Photo : JPEG PNG BMP Music : MP3
	Output	1xHDMI 1xIR 1xRS232C 1xSPDIF Audio-Line Out Speaker(Optional)
Power	Input Voltage	100 ~ 240V AC
	Power consumption	85 W
Features	Auto Power Control	Yes
	Auto Brightness Sensor	No
Operation	Temperature (°C)	0 - 40
	Humidity (%)	20 - 80
	OSD Language	12 Lang
Dimension	Set Size : W x H x D (inch mm)	39.09 x 22.87 x 2.37 992.8 x 581 x 60.2
	Bezel Size : U/D/L/R (inch mm)	0.92 / 0.92 / 0.92 / 0.92 23.3 / 23.3 / 23.3 / 23.3
	Wall Mounting hole : WxH (mm)	300 x 300 (M6)
Weight	Set (lb kg)	43.65 19.8 (TBD)

Specifications and design are subject to change without notice. See our website for detailed information.

HEAD OFFICE - HYUNDAI IT CO., LTD.
5F, 36, Sangil-ro 10-gil, Gangdong-gu, Seoul, 05288 Korea
Tel. +82 70 7008 0151 E-mail: ssoh@hyundaiit.com
www.hyundaiit.com

HYUNDAI IT AMERICA TECH CORP
2033 Gateway Place 5th Floor San Jose, CA 95110, USA
Tel. +1 408 627 4729 email : sales@hyundaita.com
www.hyundaiit.com

HYUNDAI IBT GMBH
Carl-Zeiss-Str. 9 / 55129 Mainz, Germany
Tel. +49(0) 6131 275 5350 email : info@hyundaiit.eu
www.hyundaiit.eu

LARGE SIZE FORMAT APPLIED SCREEN

MODEL

CLASS

D43AMNI 43"

FEATURES

LED Backlight

HYUNDAI IT's public displays with LED backlight bring the advantage of up to 40% lower power consumption, compared to displays with CCFL backlight.

Easy operating OSD menu, Remote control

In order to setup a multi display wall, the single units are linked by a daisy chain connection over DVI interface. The configuration of each display can be easily set-up over the on-screen menu or the RS232C interface.

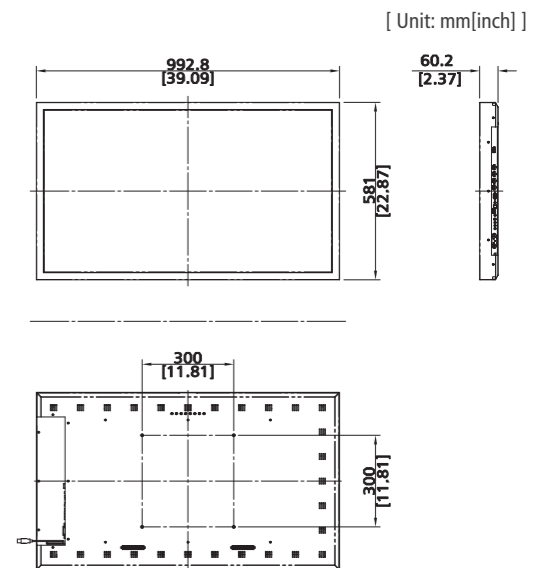
Cost Effective Media Player

HYUNDAI IT's display serves in-built media player enables to play various range of content including video, images and photos. Thanks to this solution, no need for an additional media player for cost and space efficiency.

Multi Touch Screen Function

As an option, all HYUNDAI IT Digital Signage Displays can be equipped with touch screen functionality. Based on the infrared ray matrix technology, Digital Signage display can operate with either single- or multi-touch mode. This makes the HYUNDAI IT's Digital Signage display more advanced touch screen solution for the interactive display.

DIMENSIONS



UPDATE: JUL. 2022