

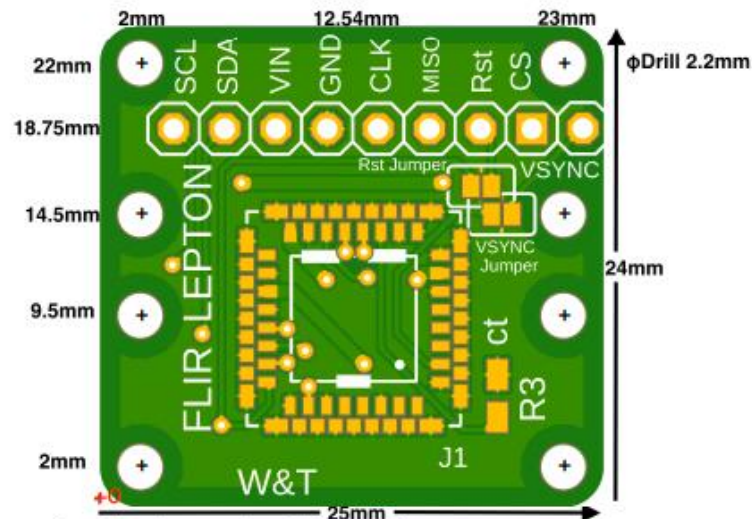
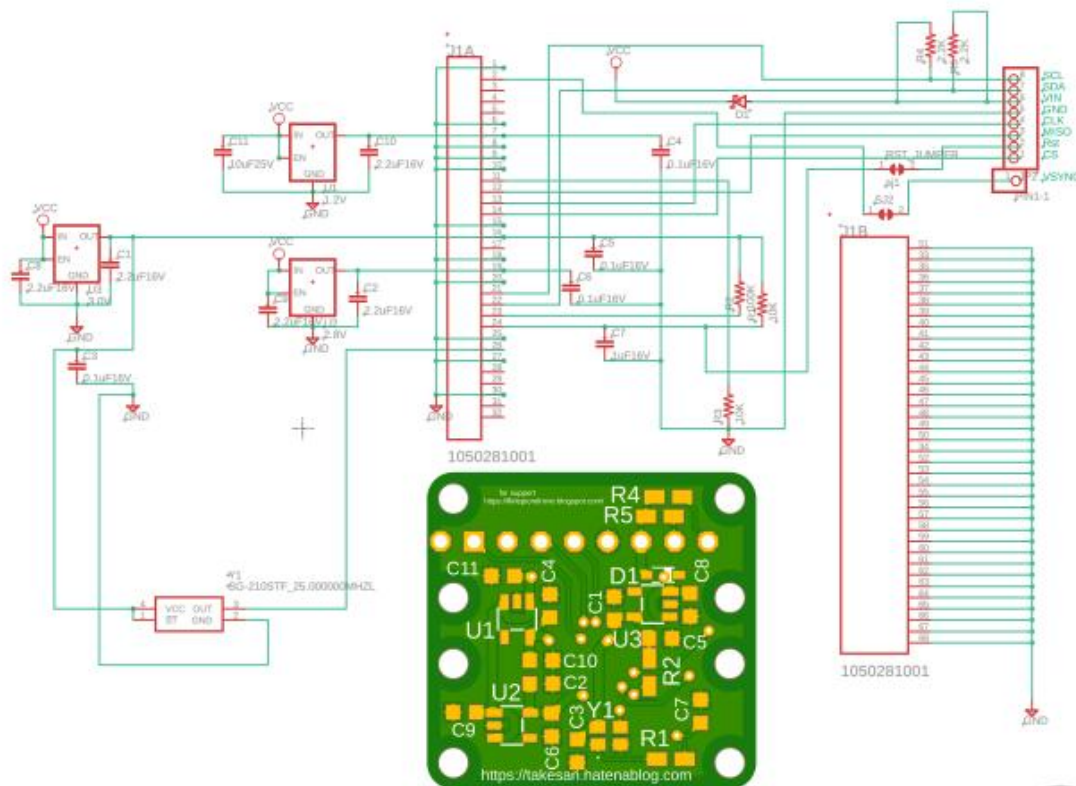


FLIR Lepton 2.x 3.x用 ブレイクアウトボード 仕様書



特徴

従来のFLIRブレイクアウトボードのSPI通信の接続ピンにVsyncピン（ビデオ同期用）とリセットピンを追加
I2Cにプルアップ抵抗R4(2.2k),R5(2.2k)を追加



Operating temperature 0°C to 55°C
VIN Voltage: 3.3 V to 5.5 V
Space-Saving, (24 mm × 25 mm)
Works with all FLIR Lepton Modules 2.x and 3.x
Access to SPI and I2C camera module interfaces
Provides 25-MHz reference clock
Low Noise LDO for 1.2V, 2.8 V, 3.0V voltage
32-pin Molex camera socket for Lepton Module
VSync and Rst Pins
Pull up for SCL & SDA Pins

- Pin 1-1 - VSYNC: Video Sync (need to jumper solder to use)
- Pin 1 - CS: Video Over SPI Slave Chip Select (active LOW)
- Pin 2 - Rst: Reset (active LOW) (need to jumper solder to use)
- Pin 3 - MISO: Video Over SPI Slave Master In Slave Out
- Pin 4 - CLK: Video Over SPI Slave Clock
- Pin 5 - GND: Common Ground
- Pin 6 - VIN: 3.3-5.5 V Supply input
- Pin 7 - SDA: Camera Control Interface Data, I2C
- Pin 8 - SCL: Camera Control Interface Clock, I2C



