

MAX VEHICLE ROOF LOAD RATING: 100KG

TOTAL LOAD EQUALS WEIGHT OF ROOF RACKS + ACCESSORIES + CARGO

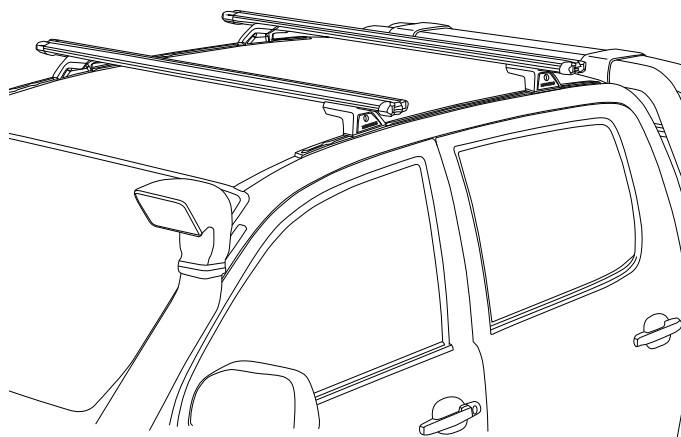
FIRST TIME INSTALLATION

- Please read instructions carefully before installation.
- Check the contents of kit. Contact your YAKIMA dealer if any parts appear missing or damaged.
- Clean your roof thoroughly prior to fitting the LOCKN'LOAD Track Heavy Duty Roof Rack System.
- Place these instructions in the vehicle's glove box after installation is complete.



TOOLS REQUIRED:

- Marking Pen
- Tape Measure
- Masking Tape
- Power or Cordless Drill
- Drill Bit Stop
- Vacuum Cleaner
- Mastic Silicone Sealant
- Fine Tooth Hacksaw
- Hammer
- Rubber Mallet (Optional)
- #2 Phillips Head Screwdriver
- Zinc Rich Cold Galvanising Coating
- Flat Blade Screwdriver
- 10mm Open Ended Spanner
- 13mm Socket or Spanner
- Rivet Gun
- Scissors
- Centre Punch
- Automotive Degreaser
- Automotive Adhesive

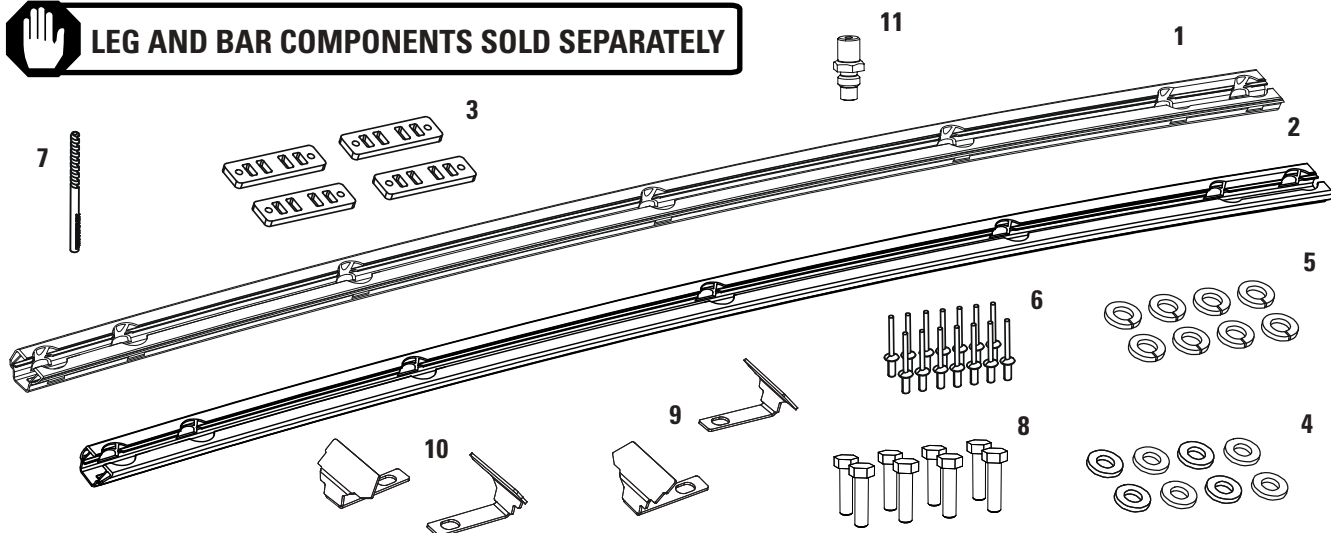


KIT CONTENTS

ITEM	COMPONENT	QTY	ITEM	COMPONENT	QTY
1.	Track Toyota Hilux Right Hand Side	x1	7.	Drill Bit	x1
2.	Track Toyota Hilux Left Hand Side	x1	8.	M6 Hex Screw	x8
3.	Track Nut Plate	x4	9.	End Cap Front Left & Rear Right	x2
4.	M6 Washer	x8	10.	End Cap Front Right & Rear Left	x2
5.	M6 Spring Washer	x8	11.	Rivet Gun Nozzle	x1
6.	Rivet	x14			



LEG AND BAR COMPONENTS SOLD SEPARATELY



TRACK INSTALLATION

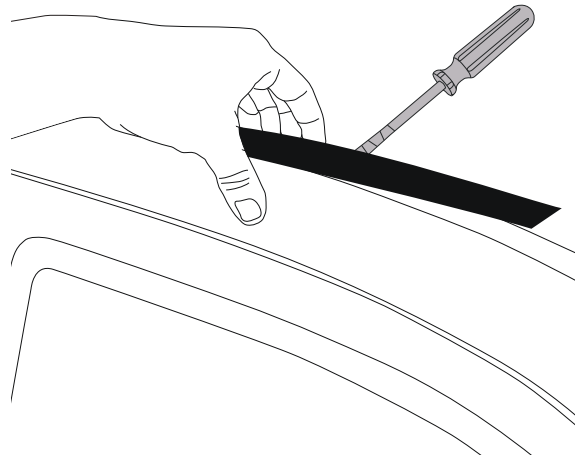
1 BEFORE BEGINNING INSTALLATION

Clean roof thoroughly and allow to dry before beginning installation.

REMOVE ROOF CHANNEL TRIM

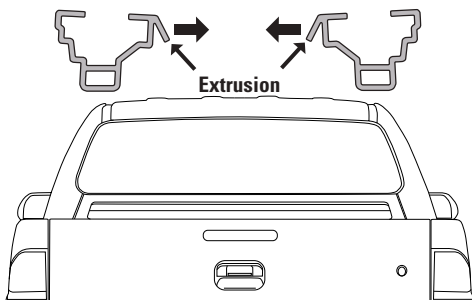
Gently lever the rubber roof channel trim with a Flat Blade Screwdriver (wrap tape around end of Screwdriver to prevent paint scratching). Then using fingertips pull carefully upwards and unhook plastic clips that are attached to the roof underneath each end of the trim.

Store channel trim in a safe location for use in Step 13.



2 TRACK ORIENTATION

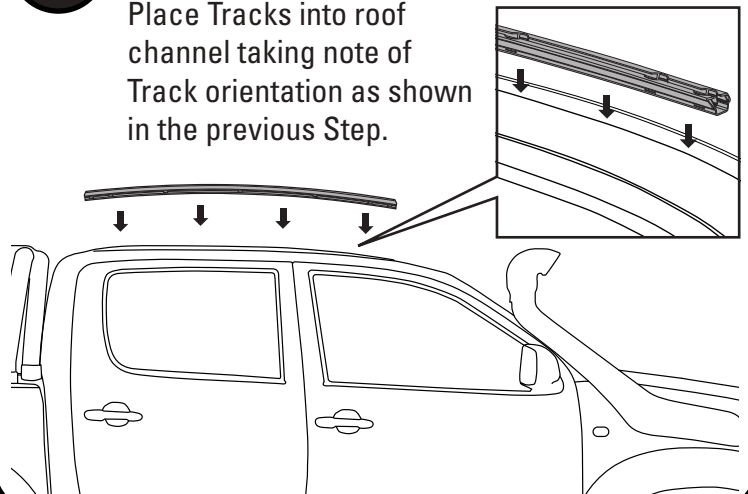
The extrusion on side of Tracks faces **inside of vehicle** as shown, with rectangular cut outs at rear of vehicle.



NOTE - image as viewed from rear of vehicle

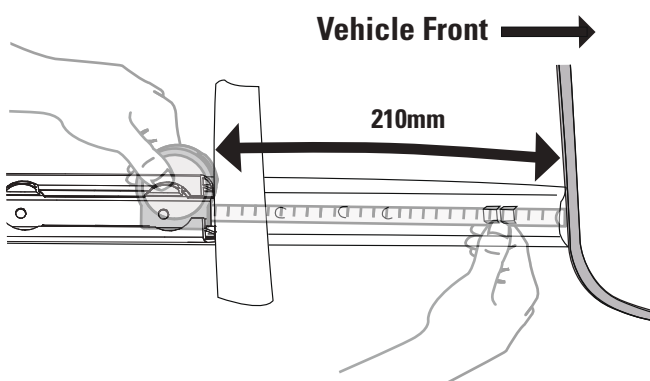
3 PLACE TRACKS INTO ROOF CHANNEL

Place Tracks into roof channel taking note of Track orientation as shown in the previous Step.



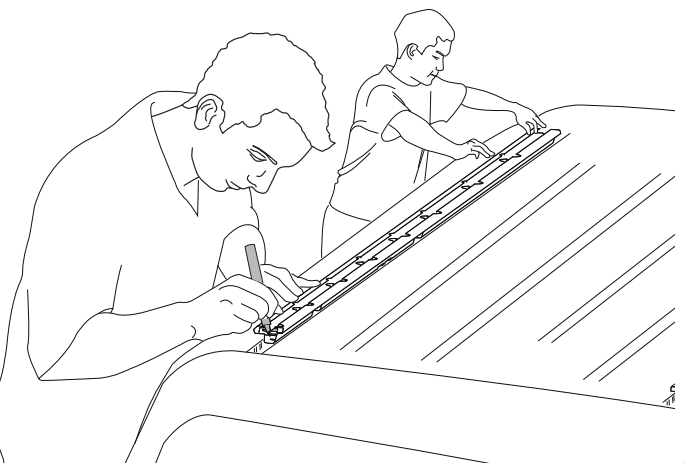
4 TRACK MEASUREMENTS

Using a Tape Measure, measure 210mm from the edge of the windscreen rubber to the start of the Track as shown. Use Masking Tape to mark measurement on vehicle roof.



5 MARK TRACK HOLES

With the help of an assistant, hold Track down firmly in roof channel and mark all holes using a Marking Pen. Remove Track.

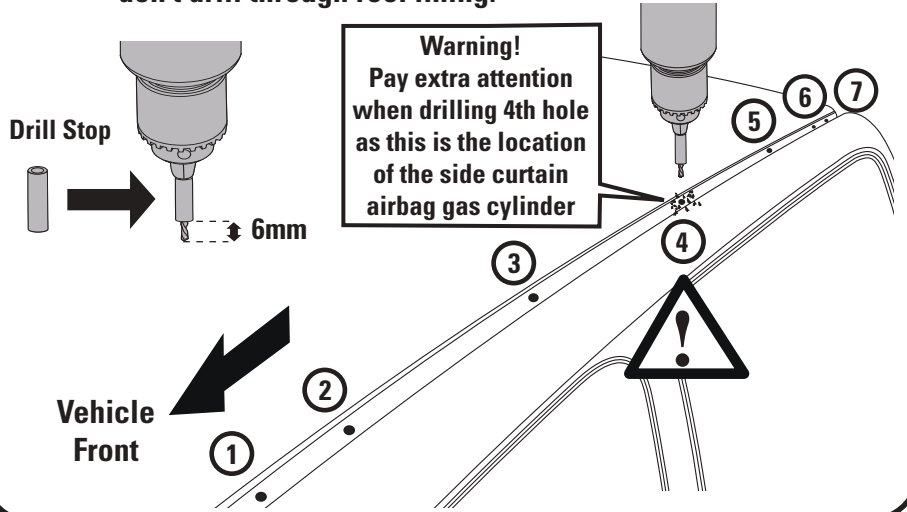


6**CENTRE PUNCH HOLES**

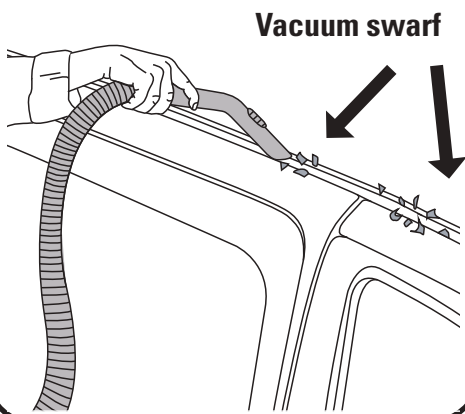
Using a Centre Punch and Hammer, accurately Centre Punch the holes marked in the previous Step.

**7****DRILL ROOF CHANNEL**

Marked out holes can now be carefully drilled through using the supplied Drill Bit and a Drill Stop which allows a **maximum drill depth of 6mm**. Use a Drill Stop to ensure you don't drill through roof lining.

**8****REMOVE SWARF**

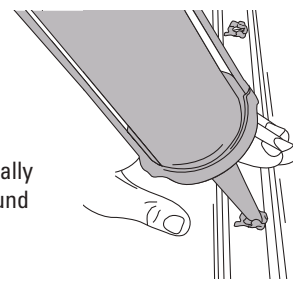
Avoid pushing swarf into the newly drilled holes by removing swarf from roof channel with a Vacuum Cleaner.

**9****APPLY PROTECTIVE SEALANTS****Stage 1**

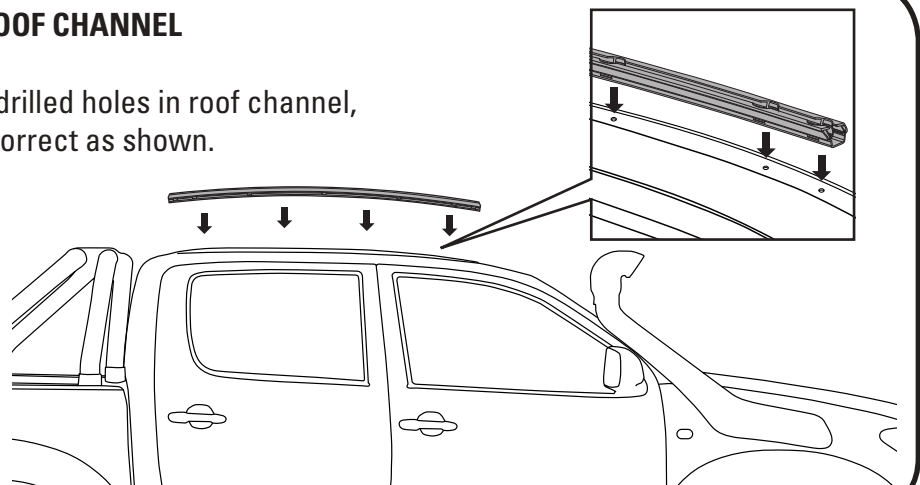
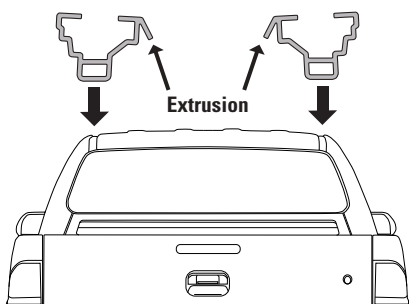
Liberaly apply a Zinc Rich Cold Galvanising Solution to the inside surface and surrounds of each drilled hole. Allow solution to become touch dry before proceeding with Stage 2 (approx. 10 min depending on product used).

Stage 2

Liberaly apply a Mastic Silicone Sealant to the inside surface and surrounds of each hole.

**10****PLACE TRACKS BACK INTO ROOF CHANNEL**

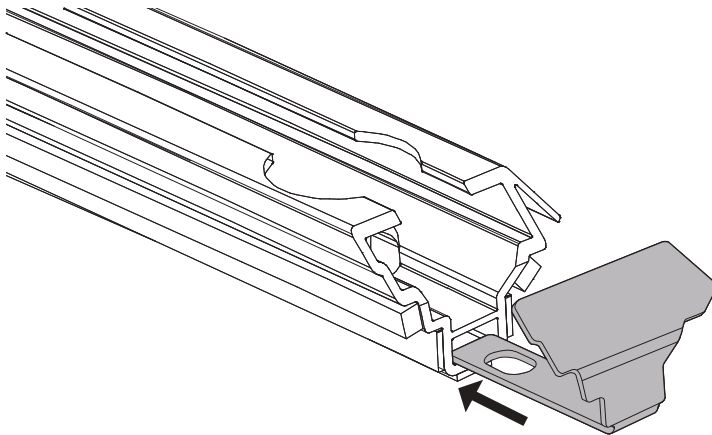
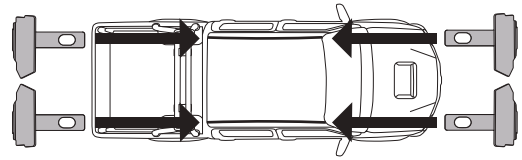
Accurately place Tracks over drilled holes in roof channel, ensuring Track orientation is correct as shown.



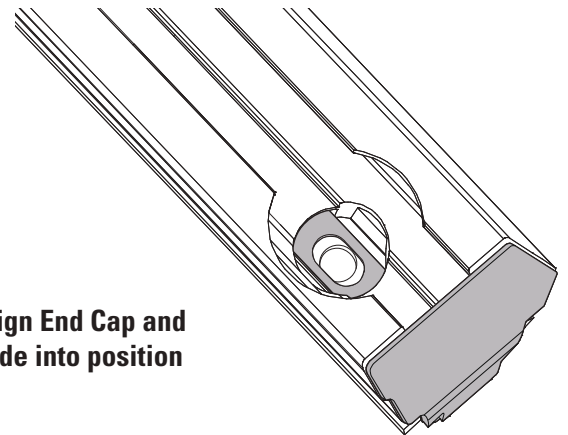
11

END CAP FITMENT

Assemble End Caps within Tracks as shown, taking note of End Cap orientation.



Align End Cap and slide into position

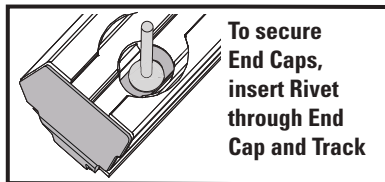


12

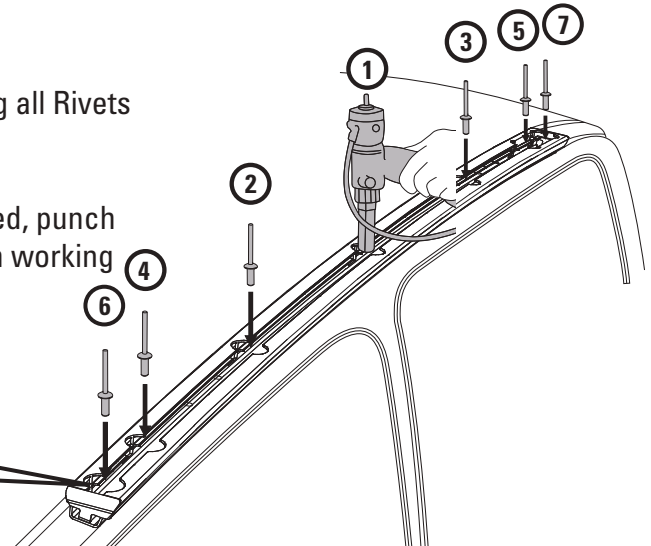
TRACK INSTALLATION

Align Tracks and secure End Caps by inserting all Rivets through Track into roof channel.

Using a Rivet Gun and the Rivet Nozzle provided, punch each Rivet starting from the centre Rivet, then working consecutively outwards as shown.



To secure End Caps, insert Rivet through End Cap and Track

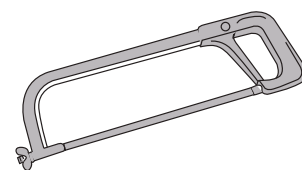


13

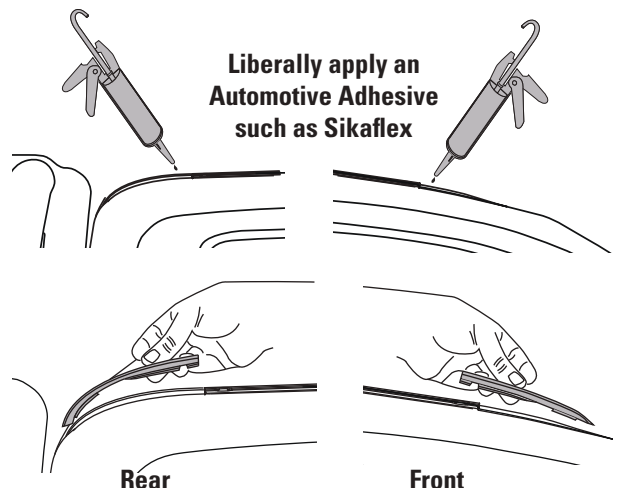
CUT ROOF CHANNEL TRIM TO SIZE AND REFIT

Thoroughly clean exposed roof channel at front and rear of Tracks using an Automotive Degreaser before refitting roof trim.

To conceal exposed roof channel at front and rear of Tracks, cut to length the original roof trim removed in Step 1. Measure out the required length by positioning the trim along roof channel. The front needs to be measured so the end of trim sits under windscreen rubber. Use a pencil to mark reference line. Remove trim from vehicle and cut to length using a Hacksaw. Liberally apply an Automotive Adhesive to roof channel then refit trim pieces. Wipe off any excess adhesive with a damp cloth and allow to dry.



Use a fine tooth Hacksaw due to metal inside rubber roof trim. Alternatively tin snips can be used



Liberally apply an Automotive Adhesive such as Sikaflex

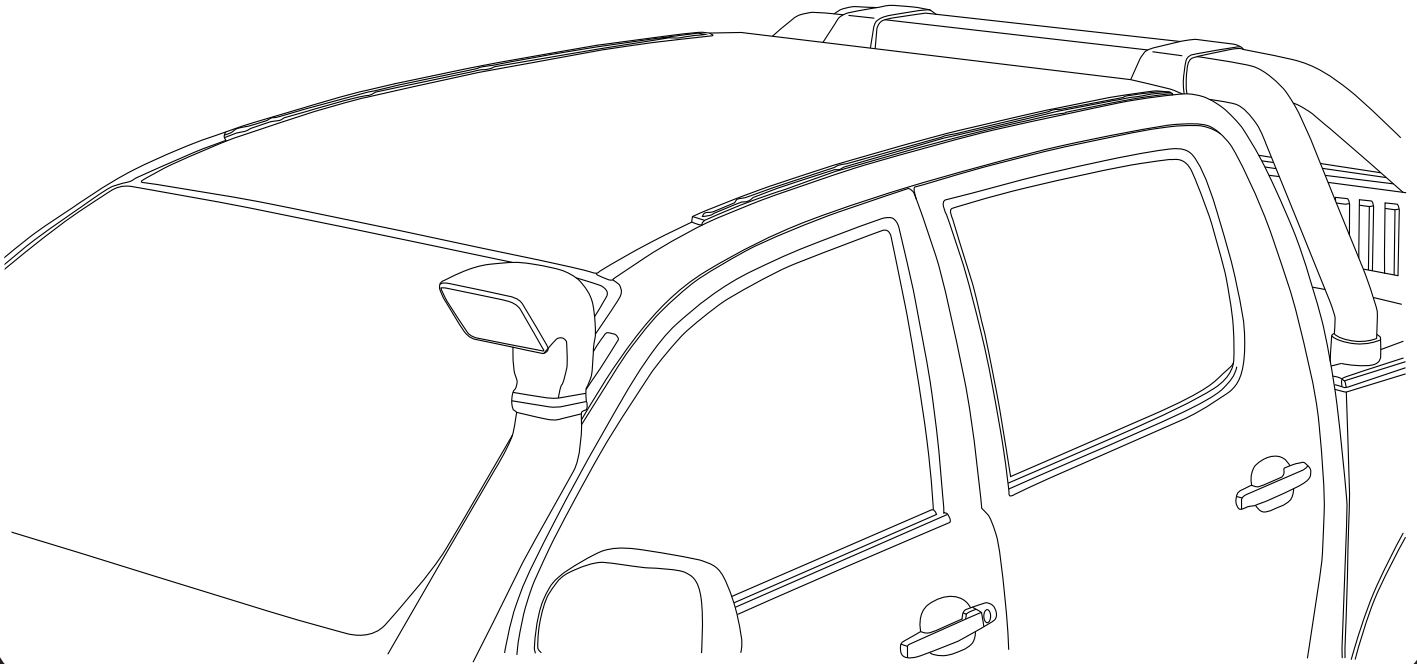
Rear

Front

14

TRACK INSTALLATION COMPLETE

Check both Tracks are secured to the vehicle as per these installation instructions.
For assistance contact your local Yakima dealer.

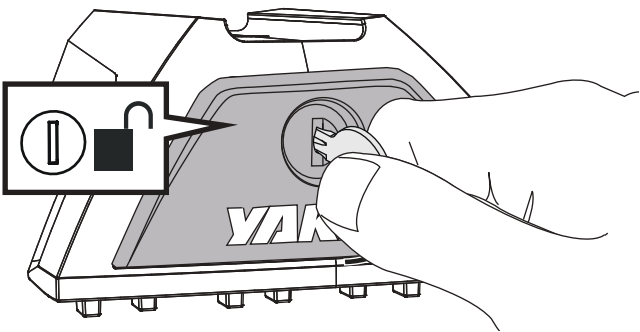


PLEASE SEE STEPS 15-37 FOR BAR INSTALLATION

BAR INSTALLATION

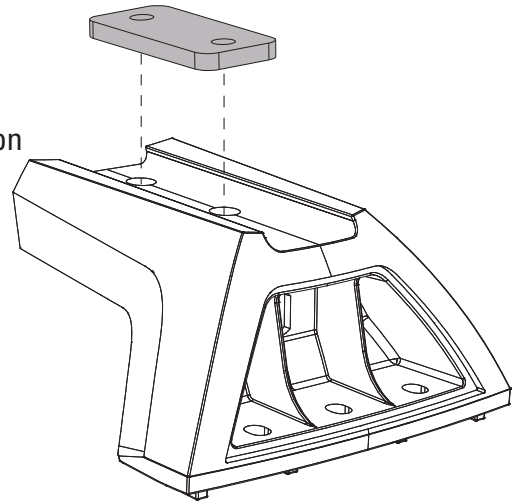
15 REMOVE LEG COVERS

Using the keys supplied in the LOCKN'LOAD Leg Kit (sold separately), remove all Leg Covers.

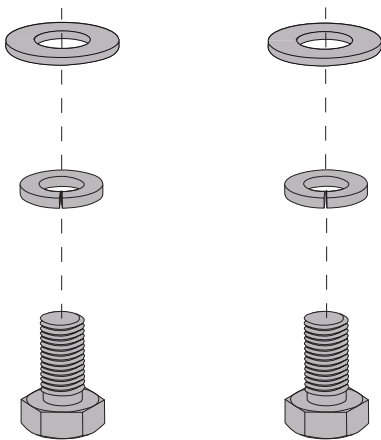


16 LEG ASSEMBLY

From the LOCKN'LOAD Leg Kit, position Nut Plates over holes on top of Legs.

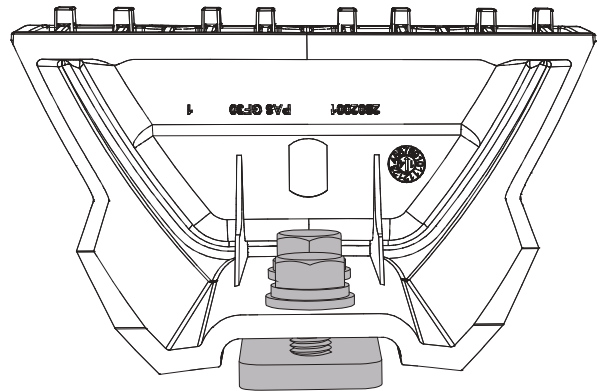


17 From the LOCKN'LOAD Leg Kit, assemble 1 x M8 Spring Washer and 1 x M8 Washer onto each M8 Set Screw 16mm in the order shown.



18 Loosely finger tighten Nut Plates to Legs as shown using the screw assemblies from the previous Step.

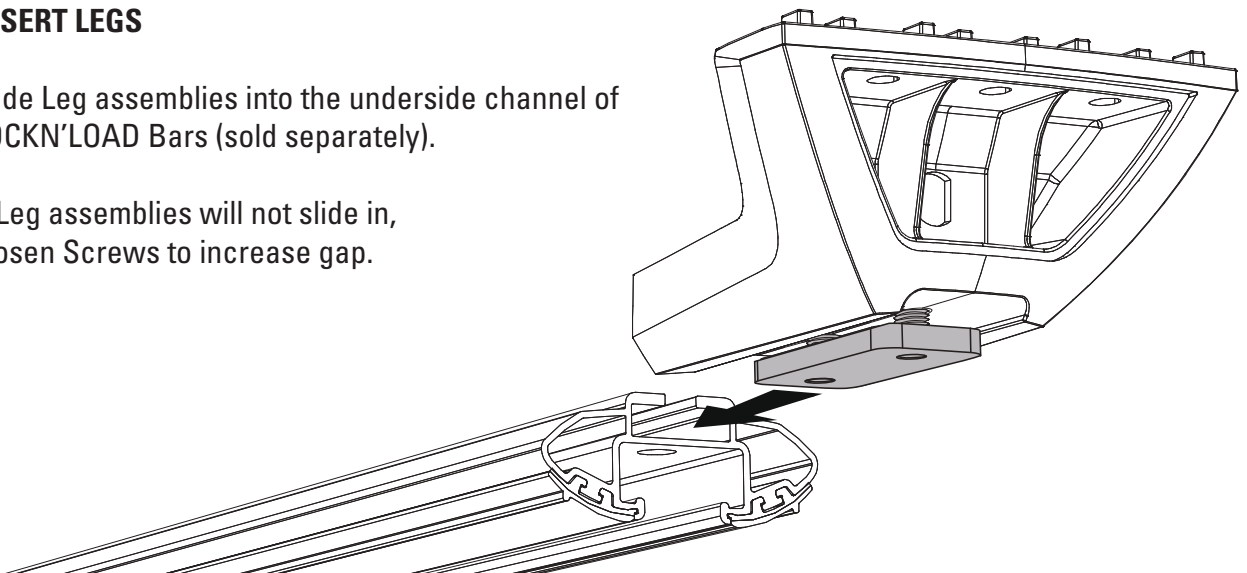
Ensure there is a sufficient gap between the Nut Plates and Legs for the next Step.



19 INSERT LEGS

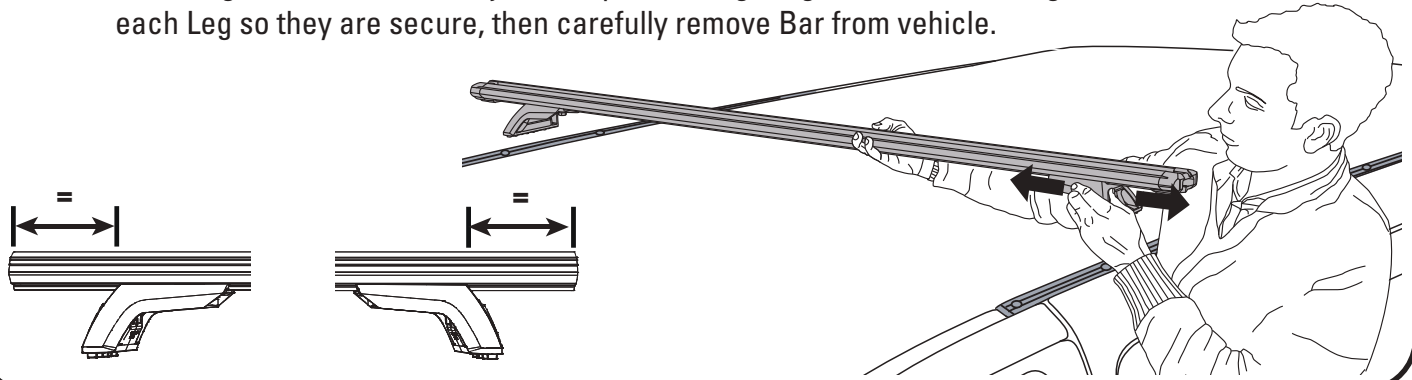
Slide Leg assemblies into the underside channel of LOCKN'LOAD Bars (sold separately).

If Leg assemblies will not slide in, loosen Screws to increase gap.



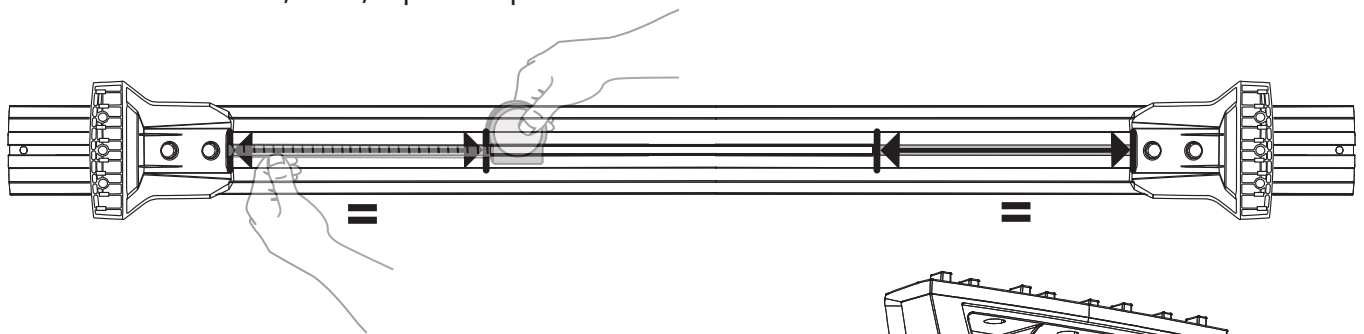
20 BAR PLACEMENT

Carefully place a Bar assembly over Track. **Take care not to damage vehicle.** Slide Legs along Bar until both legs are securely positioned within Track. Use a Tape Measure to ensure even Bar overhang on each side, re-adjust if required. Finger tighten one of the Leg Screws on each Leg so they are secure, then carefully remove Bar from vehicle.

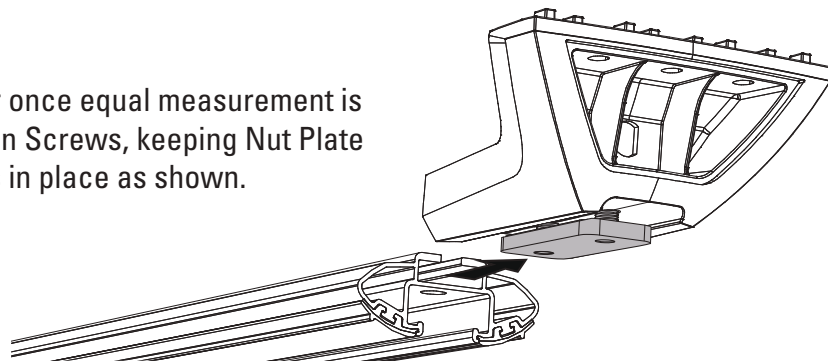


21 CHECK BAR SLOT MEASUREMENTS

Using a Tape Measure record Leg to underside slot distance from the Bar used in the previous Step. Ensure measurement is taken from the centre of the Legs as shown. Both ends should be the same measurement, if not, repeat Step 20.

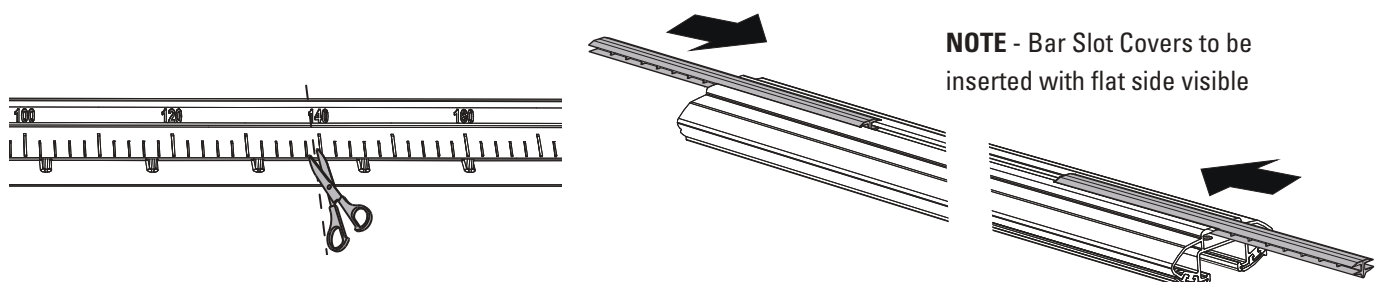


Remove Legs from Bar once equal measurement is obtained. Finger loosen Screws, keeping Nut Plate and Screw assemblies in place as shown.



22 BAR SLOT COVERS

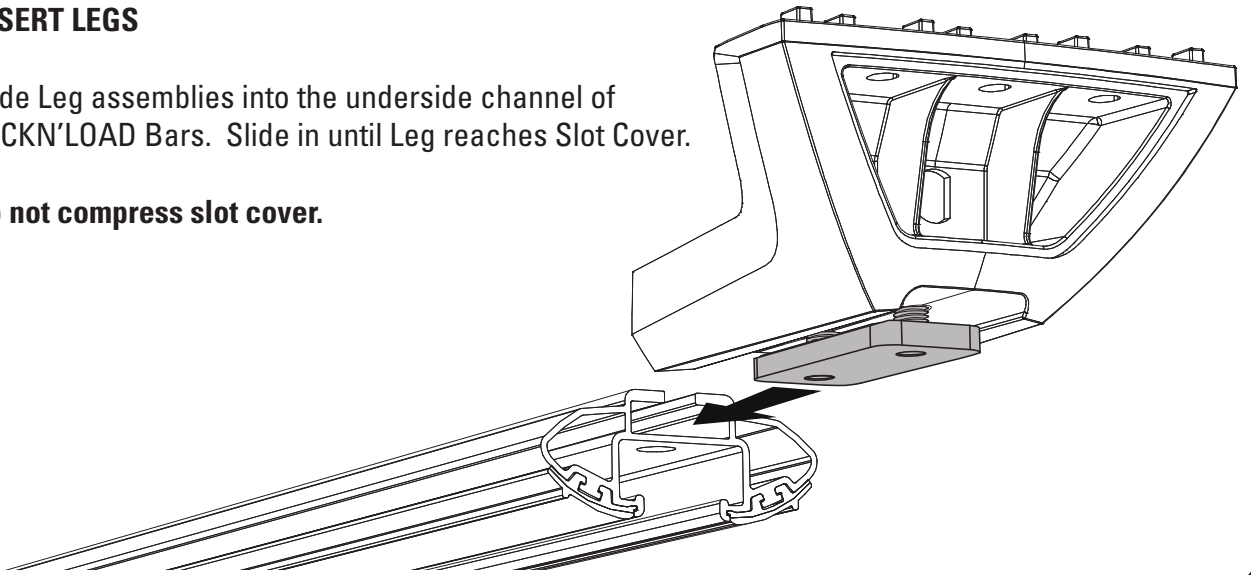
Cut Bar Slot Covers into four pieces according to the measurement taken in Step 21. Insert into underside channel of front and rear Bar ends as shown.



23 INSERT LEGS

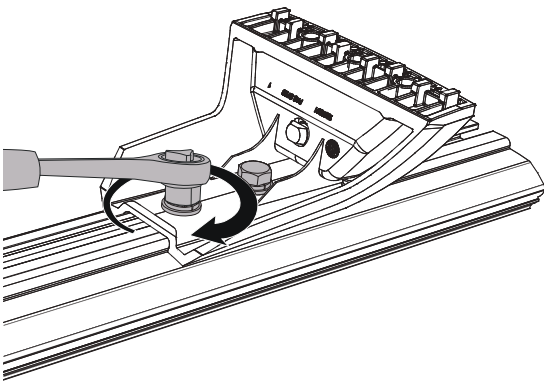
Slide Leg assemblies into the underside channel of LOCKN'LOAD Bars. Slide in until Leg reaches Slot Cover.

Do not compress slot cover.



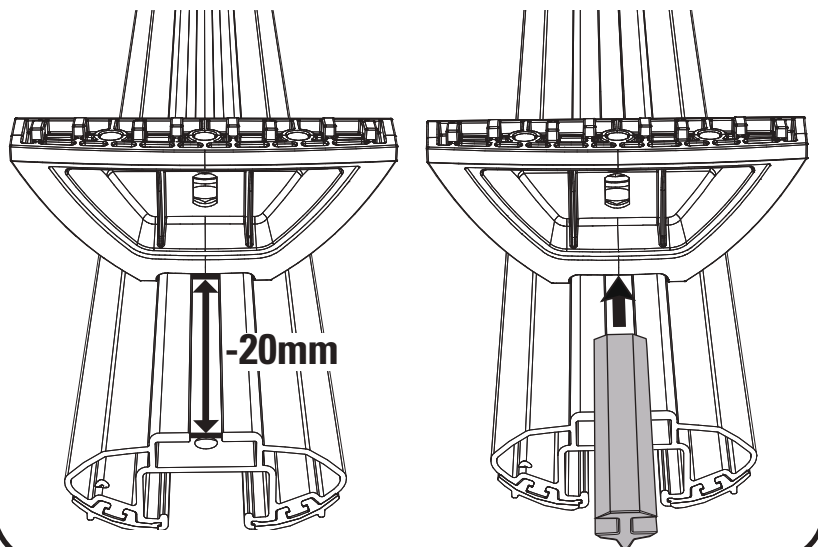
24 SECURE LEGS TO BARS

Tighten all M8 Set Screws to 7Nm using a 13mm Socket Wrench.



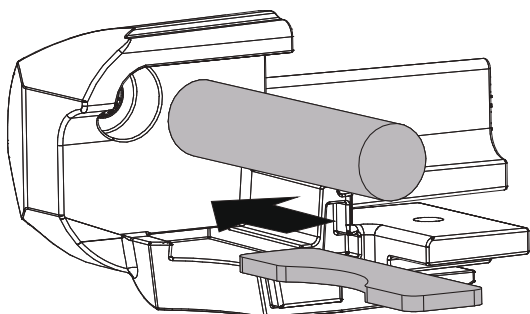
25 BAR SLOT COVERS (OUTSIDE LEG)

Measure the Bar channel outside of the Legs and subtract 20mm from this measurement. Using the remaining pieces of Slot Cover from Step 22, cut to this length and insert into the underside channel of each Bar end as shown.

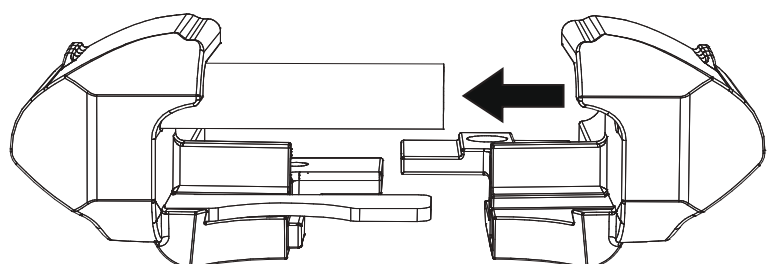


26 END CAP ASSEMBLY

From the LOCKN'LOAD Leg Kit, insert Bottle Openers and Pins into the End Cap Halves.

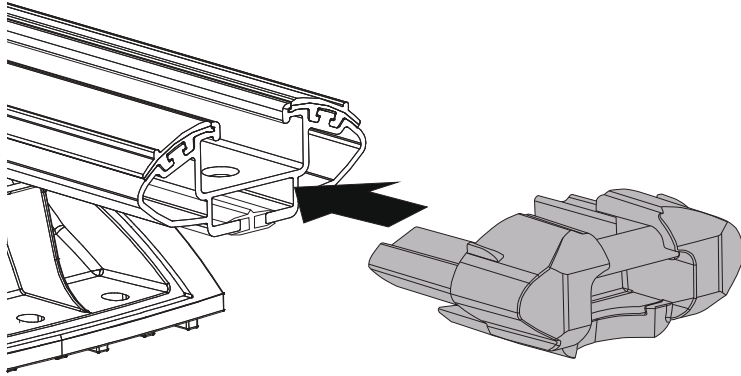


27 Connect all End Cap Halves together.

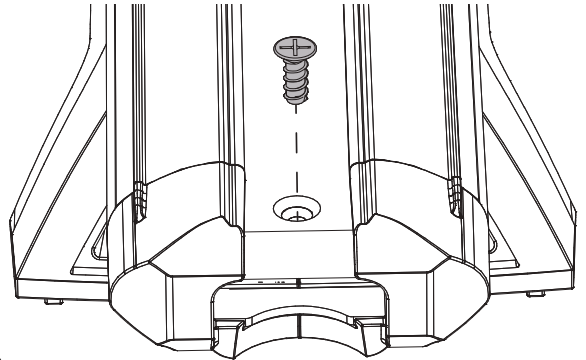


28**SECURE END CAPS TO BARS**

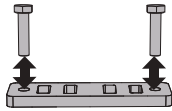
Insert the End Caps as shown. A Rubber Mallet can be used to assist installation.

**29**

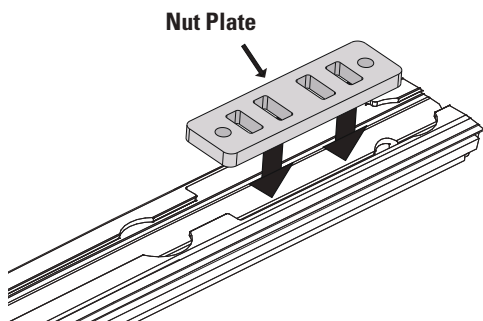
Secure using Plastite Screw (from LOCKN'LOAD Leg Kit). Tighten using a #2 Phillips Head Screwdriver.

**30****INSERT NUT PLATES**

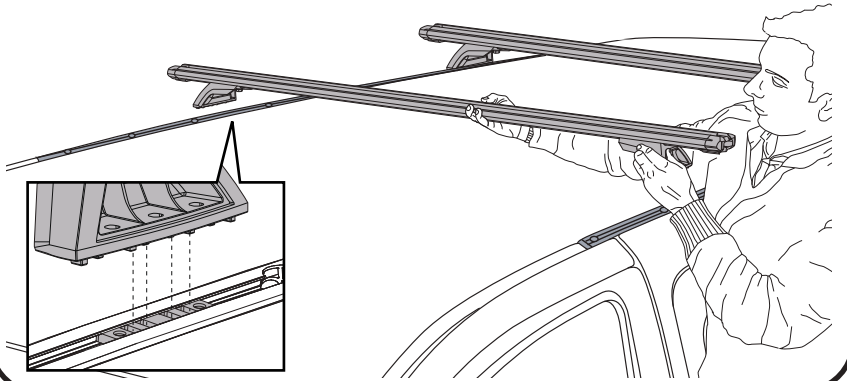
Run all M6 Hex Screws through Nut Plates to remove burs.



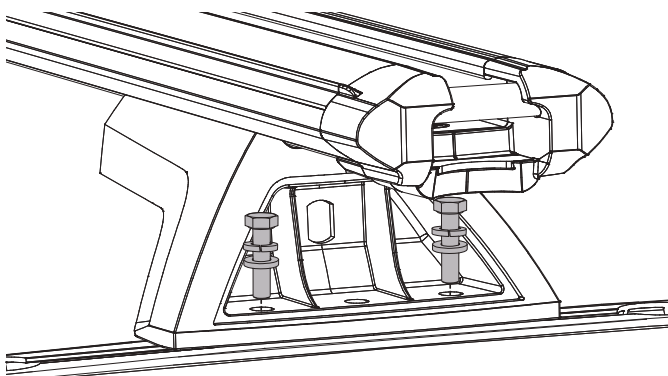
Insert two (2) Nut Plates into each Track as shown.

**31****BAR FITMENT**

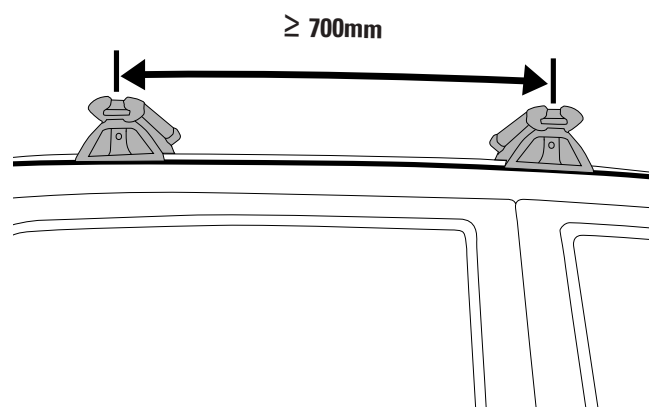
Slide Nut Plates within Track into position for front and rear Bar placement (it doesn't have to be exact). Place Bar assembly onto Tracks, carefully locating the four central raised notches on base of Legs into the cut outs on Nut Plates as shown. **Take care not to damage vehicle.** Repeat for remaining Bar.

**32****SECURE BARS TO TRACKS**

From the LOCKN'LOAD Track Kit, assemble 1 x M6 Spring Washer and 1 x M6 Washer onto each M6 Hex Screw as shown. Insert through the outer holes on Legs into Nut Plate as shown. Finger tighten Screws.

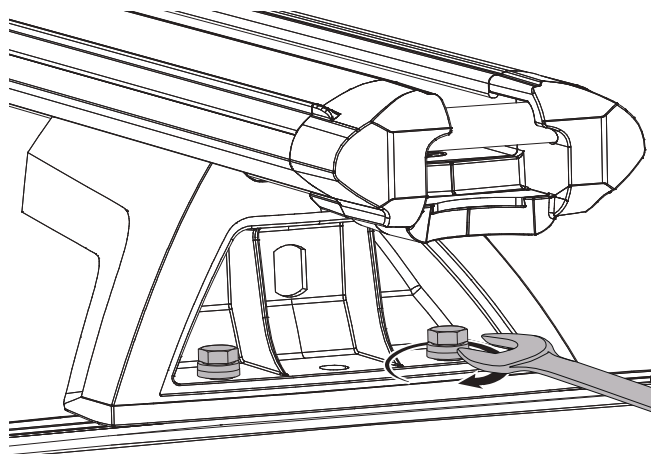
**33**

Position front and rear Bars along Tracks as required, ensuring there is a minimum distance of 700mm between each Bar. Measure from the centre of each Leg as shown.



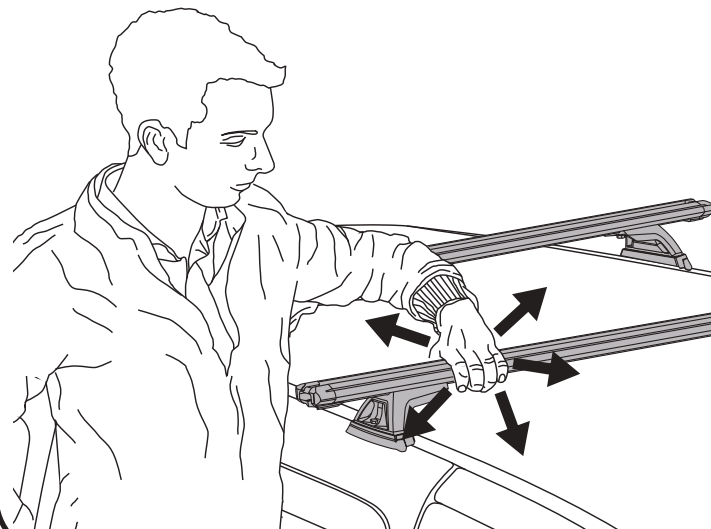
34 Tighten all M6 Hex Screws to 5Nm using a 10mm Open Ended Spanner

Do not over tighten.



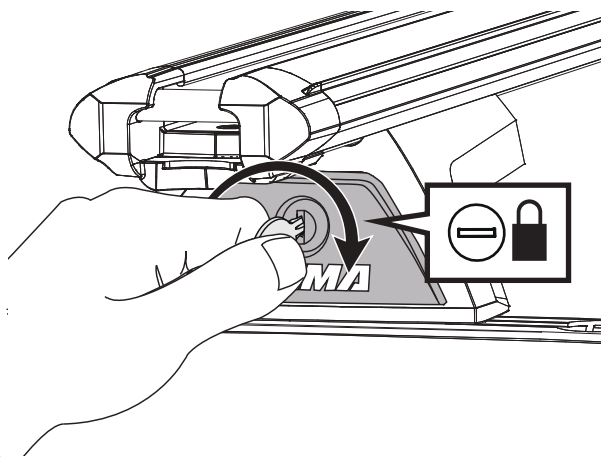
35 CHECK BAR LEGS ARE SECURE

Check all Bar Legs are secure.



36 FIT LEG COVERS

Using the keys and Covers supplied in the LOCKN'LOAD Leg Kit, fit and lock all Leg Covers.



37 BAR KEYS

Place one key on the vehicle key ring and put the other away safely, or store with the spare vehicle key.

Write the key number (which is stamped on the key) in the box provided. Replacement keys are available from Yakima stockists, visit www.yakima.com.au or www.yakima.co.nz to find your nearest store or contact us directly on 1800 143 548 (AU) or 0800 4776 722 (NZ).

Key Number:

