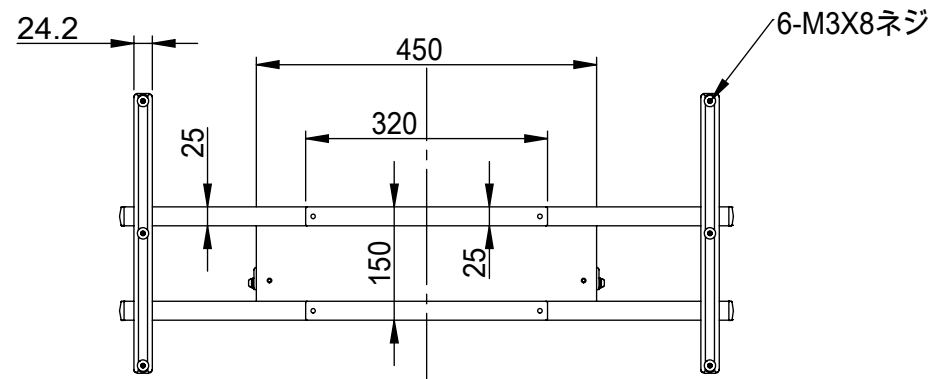
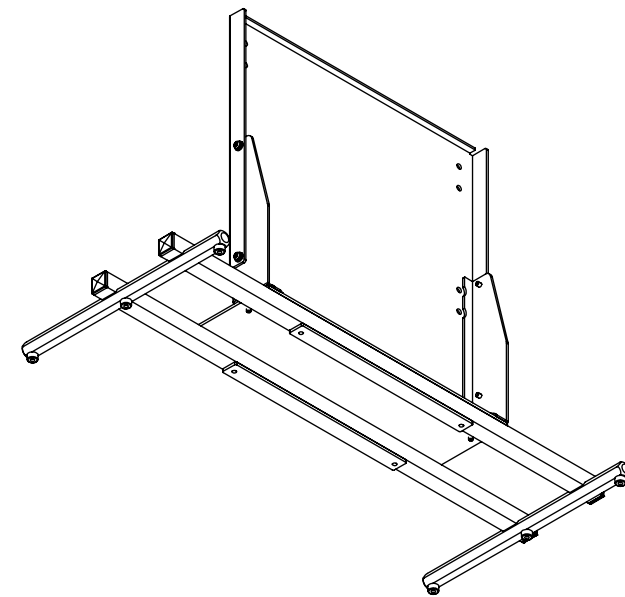
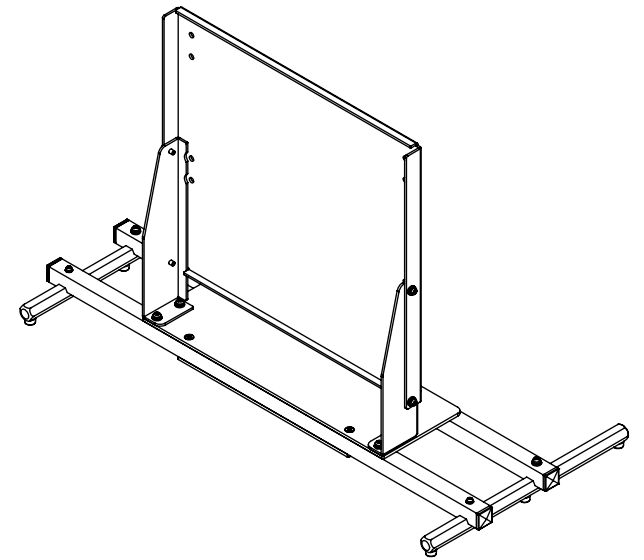
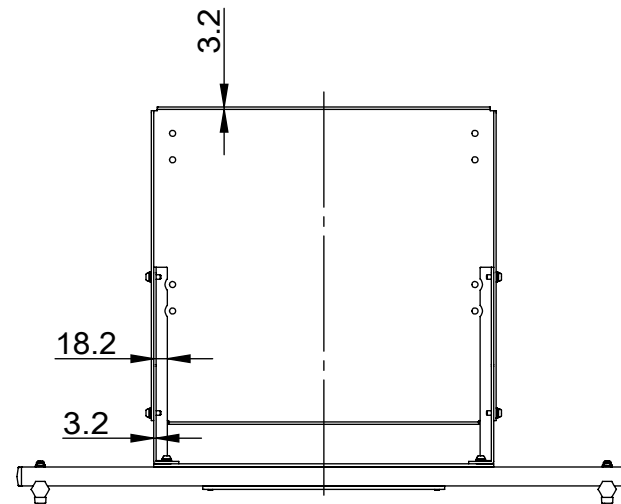
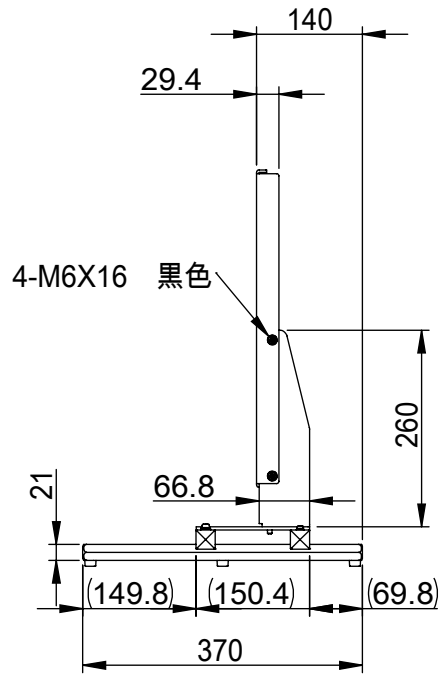
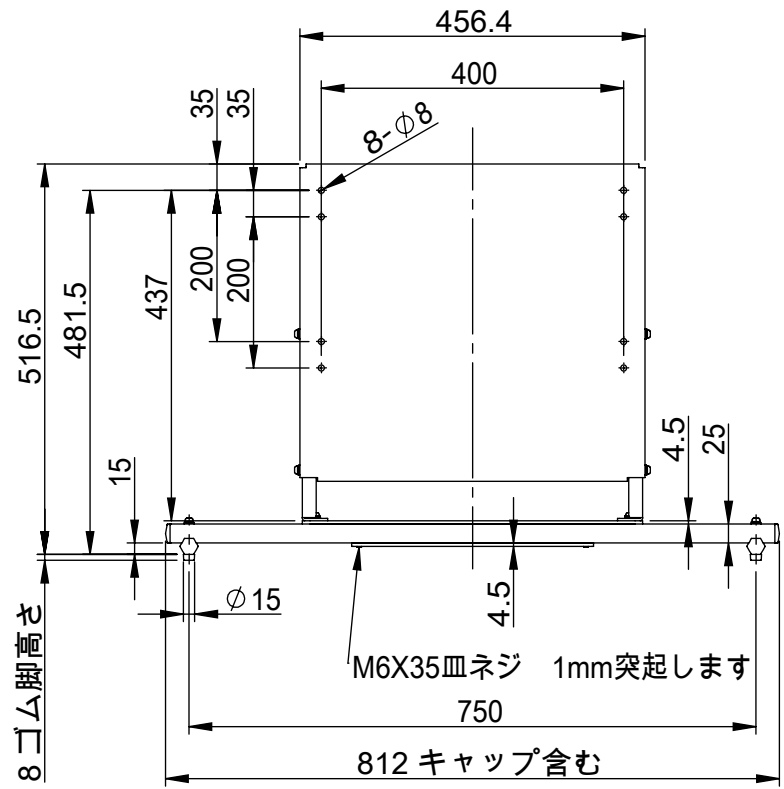


4-M6X16 黒色
 2-M5X30 黒色
 2-M6X30 黒色
 6-M6X35皿ネジ 黒色



THIRD ANGLE PROJECTION

 MATERIAL
 FINISH
 DO NOT SCALE DRAWING

	NAME	DATE	ALPHATEC		
DRAWN	金子	15.01.09	TITLE:		
CHECKED			EJ2A-M65LS1		
ENG APPR.			SIZE	DWG. NO.	REV
MFG APPR.			A3	ATCLS-A05A	0
Q.A.			SCALE: 1:10		SHEET 1 OF 3
COMMENTS:					