

CAUTION



To prevent serious personal injury and/or property damage, operate all remotely controlled models in a responsible manner as outlined herein.

◆ Safety Precautions

- 1.1 This radio-controlled model is not a toy, it is designed for persons 14 years of age or older.
- 1.2 Do not operate your vehicle on unsafe terrain; always pay attention to your surroundings.
- 1.3 Never operate your vehicle on public roadways, around moving people, animals, or operating machinery.
- 1.4 Keep clear of power lines and high-powered radio equipment to minimize radio frequency interference.
- 1.5 Since this vehicle contains small components, it may be a choking hazard for small children. Keep the vehicle and any spare parts out of reach of small children.

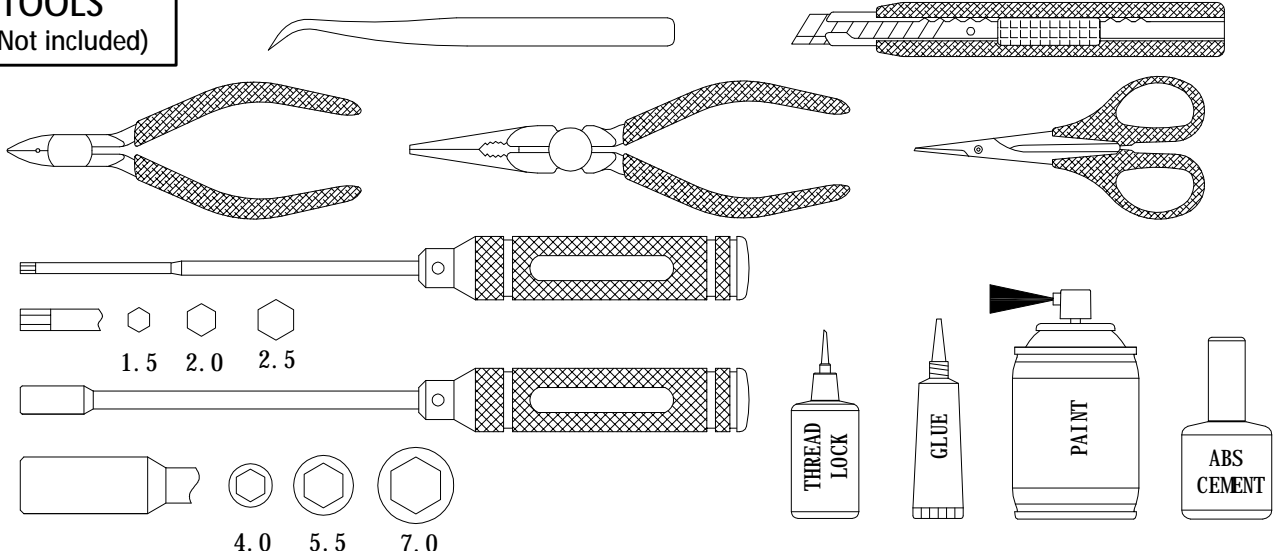
◆ Inspect your radio-controlled model before operation

- 2.1 Ensure that all screws are properly tightened. Use thread-lock to secure any metal to metal contacts- especially for components designed to withstand torque (servo mounts, motor mount, drive shaft grub screws etc.).
- 2.2 Always check the battery voltage for both the transmitter and vehicle prior to operating your vehicle. Keep the batteries fresh in the transmitter and always begin your vehicle runs with a fully charged battery pack.
- 2.3 Always check that the motor and servo are operating smoothly and in the right direction prior to operation. If binding between components is observed, replace parts as necessary to reduce possibility of component or servo damage.
- 2.4 To turn on your vehicle, always power on your transmitter first, then power on your receiver.

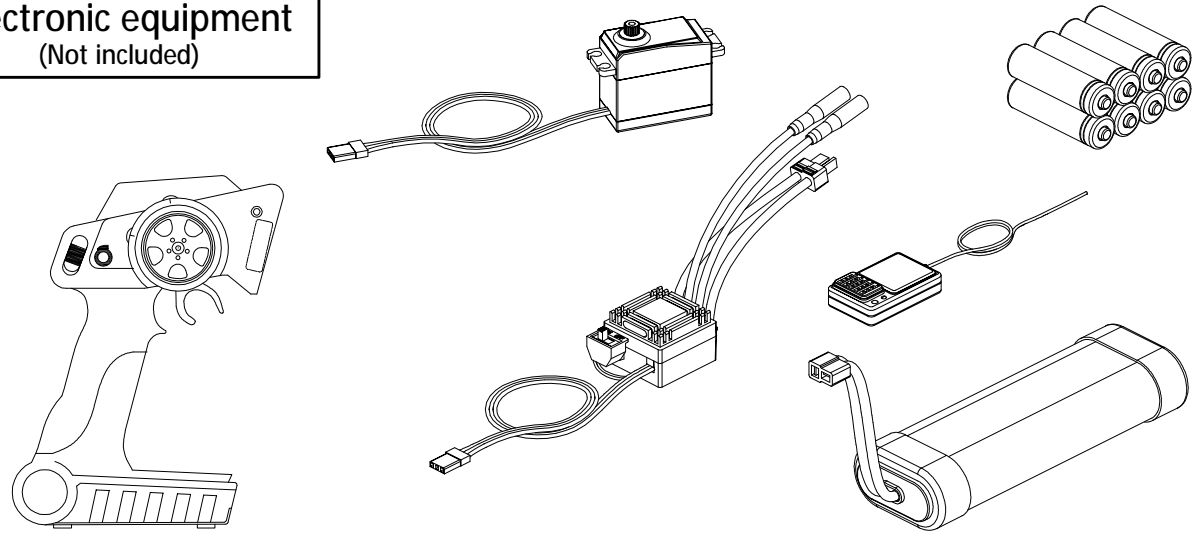
◆ After operating your radio-controlled model

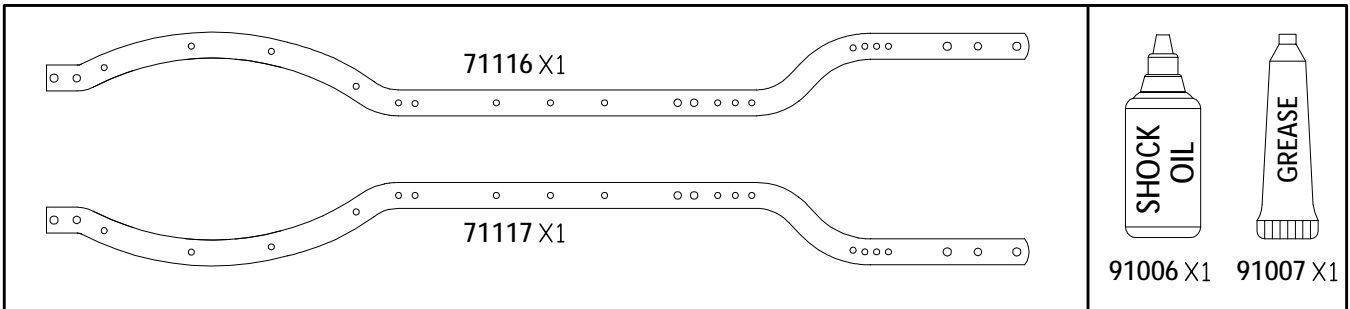
- 3.1 To turn off the vehicle, always power off your receiver prior to powering off your transmitter.
- 3.2 Use caution when handling the vehicle- components, especially the ESC and motor which will be hot after operation.
- 3.3 Never use battery packs which are dented or otherwise damaged. Ensure that the wire insulation is intact and that connectors are properly soldered. Lithium batteries can become fire hazards if mishandled.

TOOLS
(Not included)

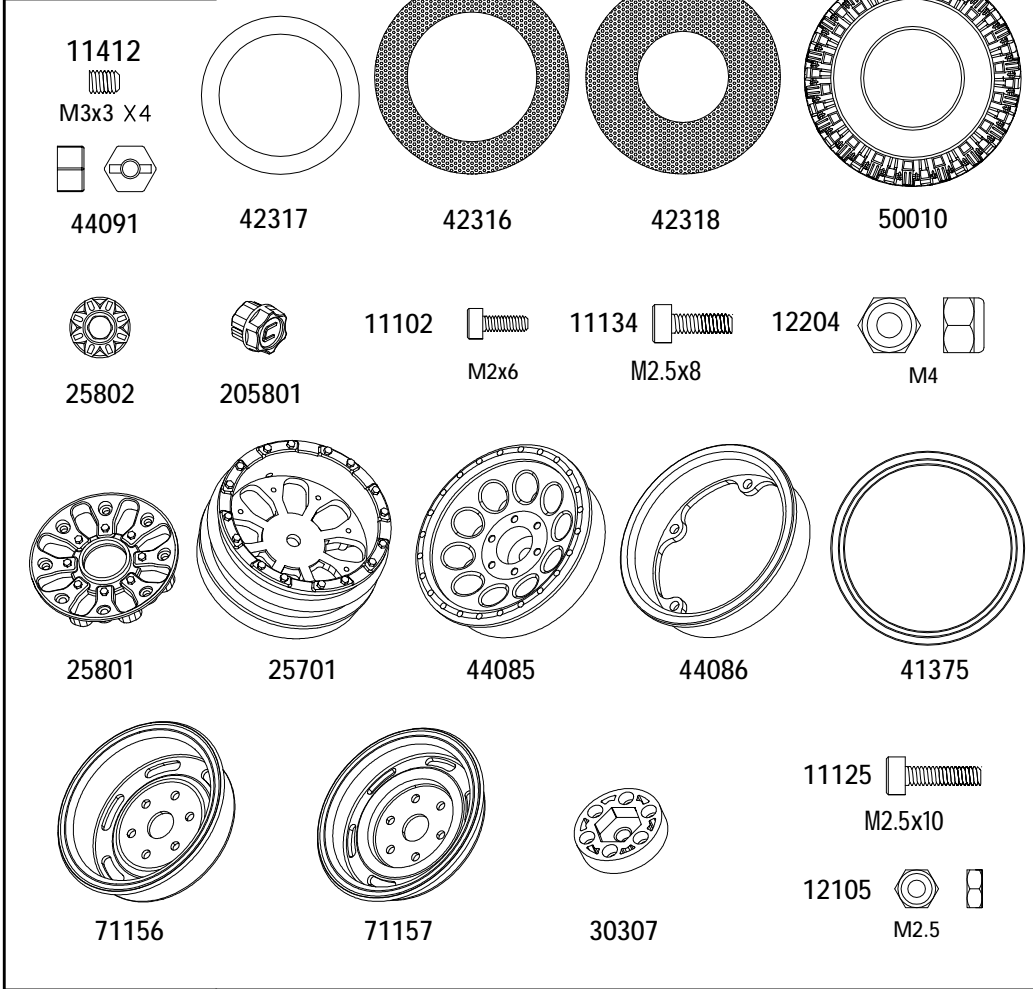


Electronic equipment
(Not included)





BAG(A)



VR4(A)

1	44091 X4
2	42318 X4
3	50010 X4
4	25802 X4
5	25801 X4
6	25701 X4
7	11102 X32
8	12204 X4
9	11412 X4

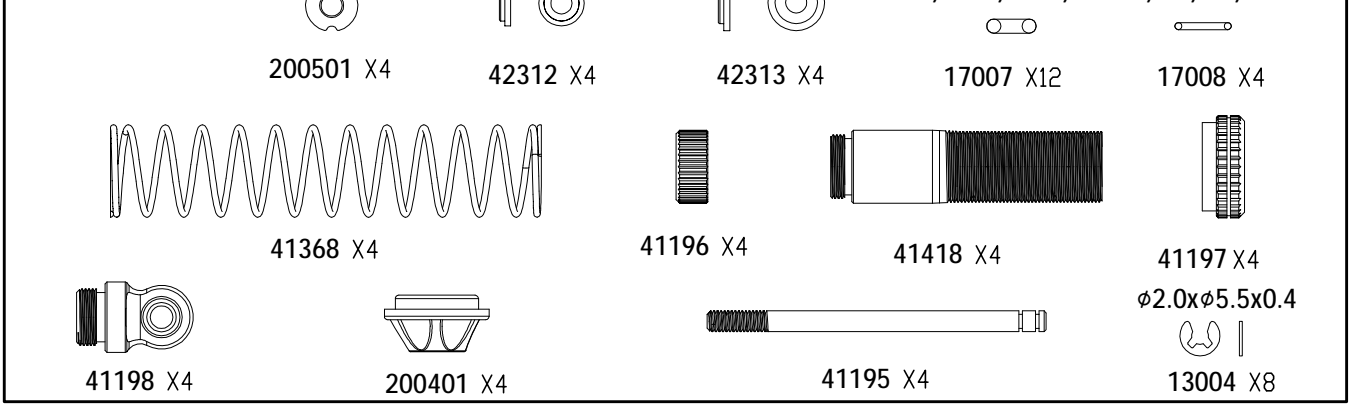
VR4(B)

1	44091 X4
2	42318 X4
3	50010 X4
4	71156 X4
5	71157 X4
6	30307 X4
7	41375 X4
8	11125 X24
9	12105 X24
10	12204 X4
11	11412 X4

VR4(C)

1	44091 X4
2	42317 X4
3	42316 X4
4	50010 X4
5	44085 X4
6	44086 X4
7	41375 X4
8	11134 X20
9	12204 X4
10	205801 X4
11	11412 X4

BAG(B)



VR4(A)/(B)/(C)

BAG(C)

200201/32701 200202/32702 41292

15006 72007 72026 11116

$\phi 5 \times \phi 11 \times 4$ $\phi 5 \times \phi 8 \times 0.3$ $\phi 5 \times \phi 8 \times 0.2$ M2.5x12

VR4(A)	
1	200201 X1
2	200202 X1
3	41292 X2
4	15006 X4
5	72026 X4
6	11116 X3

VR4(B)/(C)	
1	32701 X1
2	32702 X1
3	41292 X2
4	15006 X4
5	72007 X4
6	11116 X3

BAG(D)

95028 32704 200203 32703

41293 11130 11106 11401 17009

M2x20 X3 M3x8 X2 M3x4 X1 $\phi 35 \times \phi 2 \times 1$

VR4(A)	
1	95028 X1
2	32704 X1
3	200203 X1
4	41293 X1
5	11130 X3
6	17009 X1
7	11106 X2
8	11401 X1

VR4(B)/(C)	
1	95028 X1
2	32704 X1
3	32703 X1
4	41293 X1
5	11130 X3
6	17009 X1
7	11106 X2
8	11401 X1




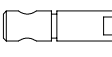
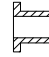
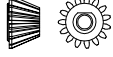
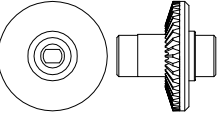
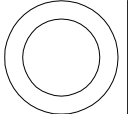

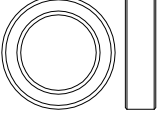
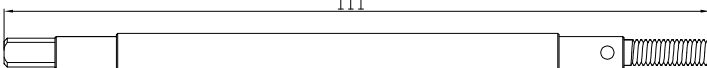
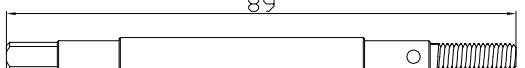
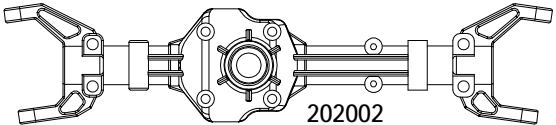
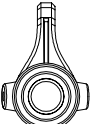
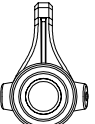
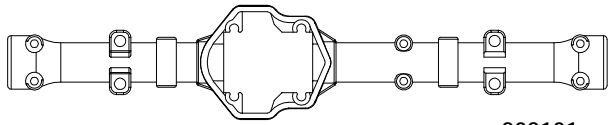
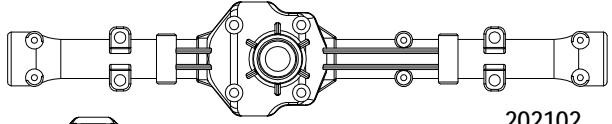
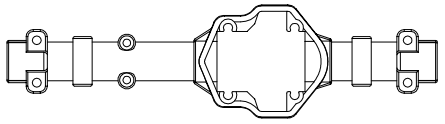
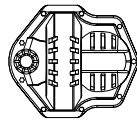

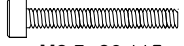







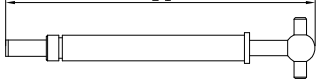
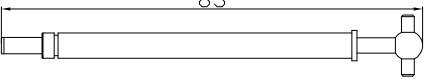
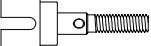

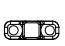
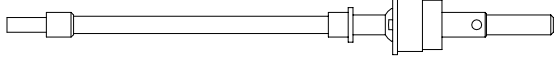
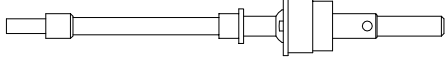
BAG(E)

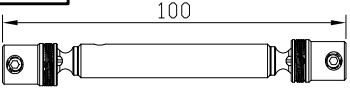



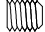

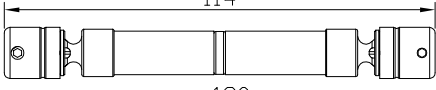
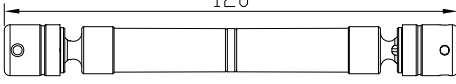

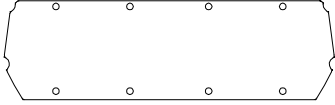

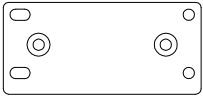
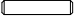


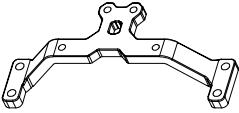

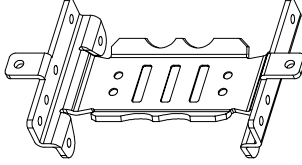
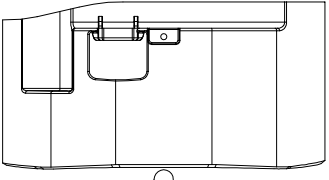
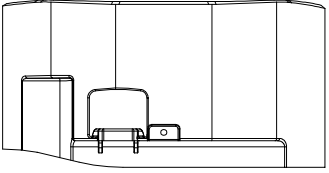
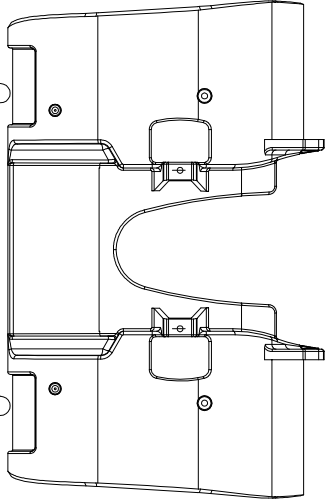
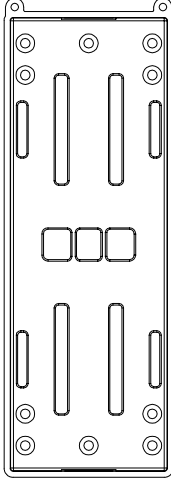
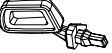

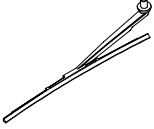
41610 X2 41164 X4 11407 M3x16 X20

41125 X2 41609 X2

41601 X1 41143 X2

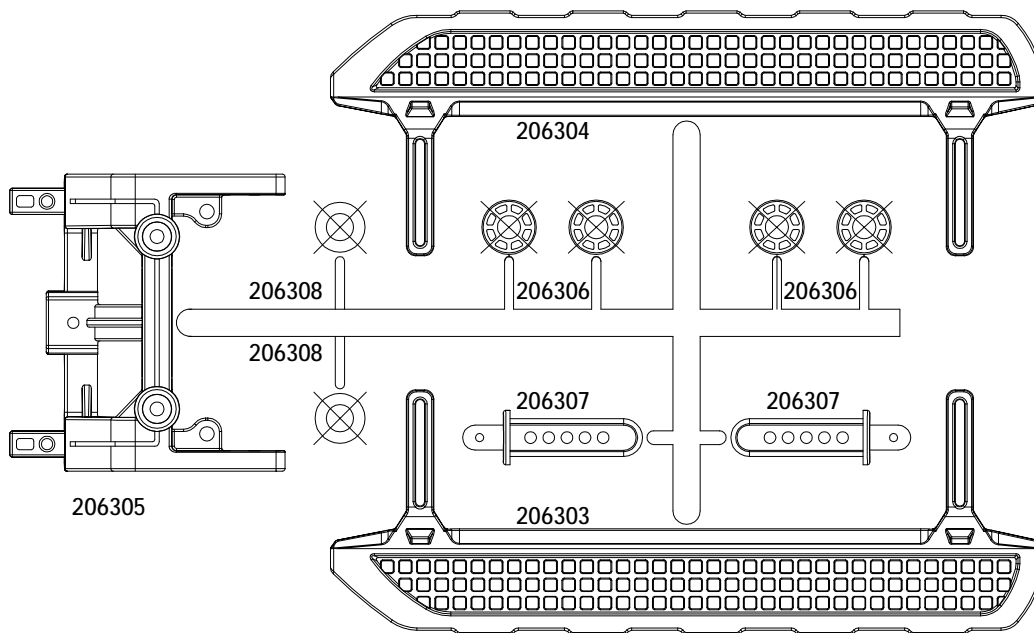
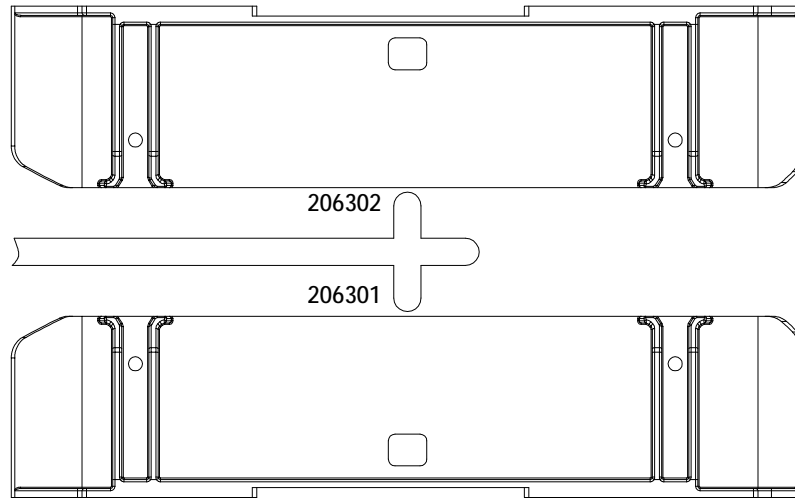
41611 X1 41613 X2

<p>BAG(F)</p>	<p>VR4(A)/(B)/(C)</p>				
<p>13003  X2</p> <p>Ø2.5xØ6x0.4 X2</p>	<p>13002  X2</p> <p>Ø3.8xØ9.2x0.6 X2</p>	<p>72007  X2</p> <p>Ø5xØ8x0.3 X2</p>	<p> X2</p> <p>41246 X2</p>	<p> X4</p> <p>41205 X4</p>	
<p> X2</p> <p>32101(15T) X2</p>	<p> X2</p> <p>32102(40T) X2</p>	<p>72008  X4</p> <p>Ø10.2xØ15x0.2 X4</p>	<p>15003  X10</p> <p>Ø5xØ10x4 X10</p>	<p>15004  X6</p> <p>Ø10xØ15x4 X6</p>	
<p>111 </p> <p>41249 X1</p>		<p>89 </p> <p>41247 X1</p>			
<p> 202002 44059</p> <p> 202004 44060</p> <p> 202003 44061</p>		<p> 202101 44063</p> <p> 202102 44064</p>			
<p> 202001 44058</p>		<p> 201901 X2 44062 X2</p>			
<p>VR4(A)/(B)</p>					
<p>12206  X8</p> <p>M2 X8</p>	<p>11120  X8</p> <p>M2.5x20 X8</p>	<p>11111  X4</p> <p>M3x18 X4</p>	<p>11207  X4</p> <p>M3x10 X4</p>	<p>11133  X8</p> <p>M2x12 X8</p>	
<p>VR4(C)</p>					
<p>11104  X4</p> <p>M2x10 X4</p>	<p>11126  X8</p> <p>M2x14 X8</p>	<p>11107  X4</p> <p>M3x10 X4</p>	<p>11111  X4</p> <p>M3x18 X4</p>		
<p>VR4(A)</p>					
<p>61 </p> <p>41248 X1</p>	<p>83 </p> <p>41250 X1</p>	<p> X2</p> <p>41208 X2</p>	<p>13002  X2</p> <p>204208  X2</p> <p>Ø3.8xØ9.2x0.6 X2</p>		
<p>VR4(B)/VR4(C)</p>					
<p></p> <p>41288 X1</p>	<p></p> <p>41287 X1</p>				

<p>BAG(G)</p>			<p>VR4(C)</p>	
 <p>95033 X2</p>	 <p>95034 X1</p>	<p>M4x11 X5</p>  <p>11409</p>	<p>M4x4 X1</p>  <p>11405</p>	
<p>BAG(GG)</p>			<p>VR4(A)/(B)</p>	
<p>11405  M4x4 X1</p> <p>11413  M4x12 X1</p>	<p>95064 </p> <p>95065 </p>		 <p>95034 X1</p>	
<p>BAG(H)</p>			<p>VR4(A)/(B)/(C)</p>	
 <p>71182 X1</p>  <p>94043 X6</p>	 <p>71025 X1</p>  <p>41209 X4</p>	 <p>73045 X1</p>  <p>71160 X2</p>  <p>73042 X2</p>	 <p>73046 X1</p>  <p>73044 X1</p>	
<p>BAG(I)</p>			<p>VR4(A)/(B)/(C)</p>	
 <p>206202</p>  <p>206203</p>		 <p>206201</p>	 <p>204304</p>	
<p>BAG(J)</p>			<p>VR4(A)/(B)/(C)</p>	
	 <p>200801 X1</p>	 <p>200802 X1</p>	 <p>21908 X2</p>	

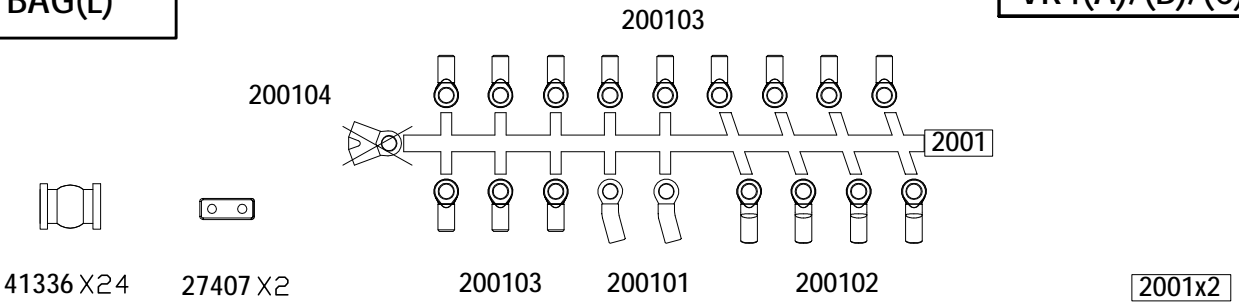
BAG(K)

VR4(A)/(B)/(C)



BAG(L)

VR4(A)/(B)/(C)



BAG(M) **VR4(A)/(B)/(C)**

VR4(A)/(B): 207609
VR4(C): 207605

VR4(A)/(B): 207612
VR4(C): 207608

VR4(A)/(B): 207611
VR4(C): 207607

VR4(A)/(B): 207610
VR4(C): 207606

BAG(N) **VR4(A)/(B)/(C)**

207712 207713 207721 207719 207722

205111

205111

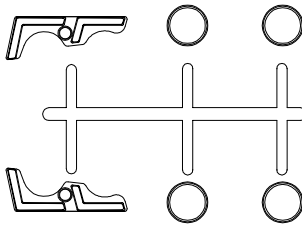
207714

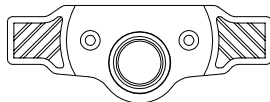
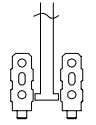
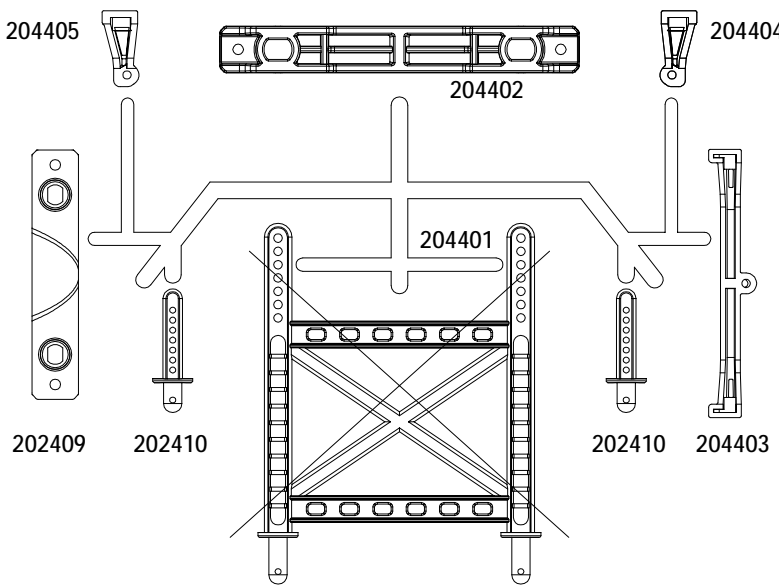
207714

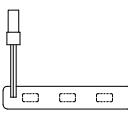
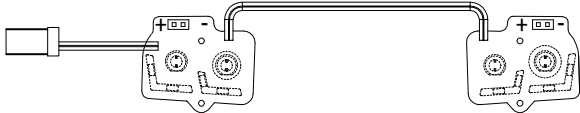
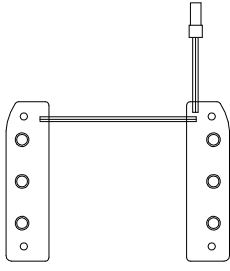

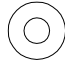
207714

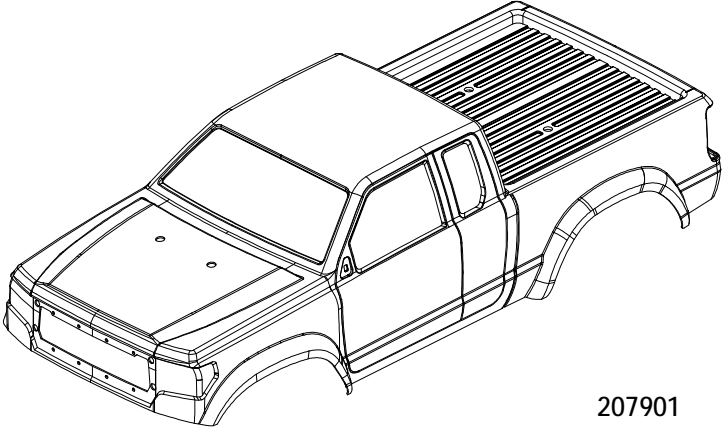
207714


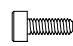
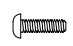


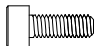







207715 207716 207717 207718 207720



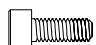





BAG(O)	207802 207803 207803  207801 207803 207803	VR4(A)/(B)/(C)
---------------	---	-----------------------



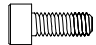


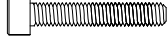


BAG(P)	VR4(A)/(B)/(C)	
 201601 X1  201602 X2		



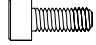


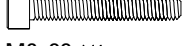
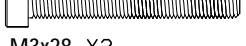
BAG(Q)	VR4(A)/(B)/(C)	
 87090	 Left Right 87088	 Left Right 87089
 91004 X2		 42310 X4

BAG(R)	 <p style="text-align: center; margin-top: 10px;">207901</p>	VR4(A)/(B)/(C)
---------------	--	-----------------------

BAG(S)	VR4(A)/(B)/(C)		
11303  M3x8 X19	11102  M2x6 X8	11704  M1.6x6 X6	12203  M3 X10
11206  M3x8 X6	11106  M3x8 X18	11108  M3x12 X2	
11207  M3x10 X4	11111  M3x18 X4	11109  M3x14 X4	
11212  M3x20 X4	11112  M3x20 X4	11114  M3x25 X10	


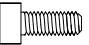

BAG(AA)	12203  M3 X7	14102  $\phi 3x\phi 7x0.5 X4$	11106  M3x8 X1	11107  M3x10 X4	VR4(A)
11109  M3x14 X1	11111  M3x18 X1	11114  M3x25 X3	11124  M3x32 X2		

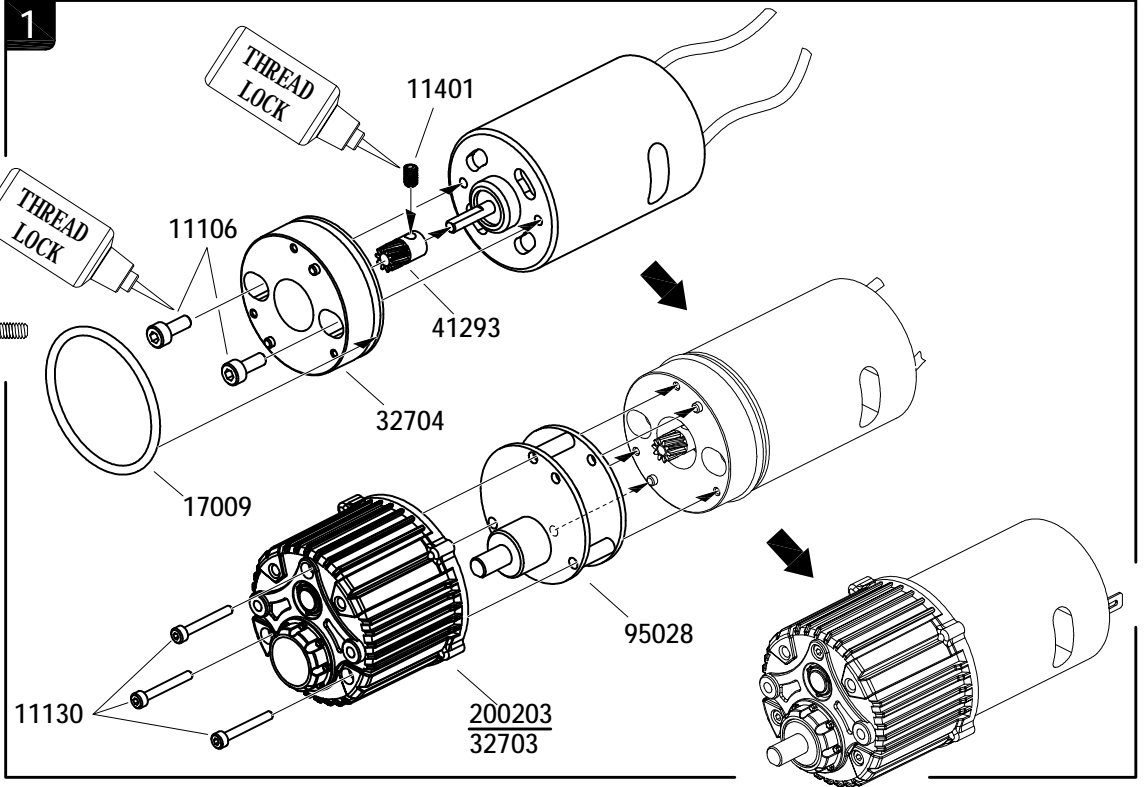
BAG(BB)	12203  M3 X7	14102  $\phi 3x\phi 7x0.5 X4$	11106  M3x8 X1	11107  M3x10 X4	VR4(B)
11109  M3x14 X1	11111  M3x18 X3	11114  M3x25 X1	11115  M3x28 X2		

BAG(CC)	12203  M3 X3	14102  $\phi 3x\phi 7x0.5 X4$	11106  M3x8 X1	11107  M3x10 X4	VR4(C)
11109  M3x14 X4	11113  M3x22 X1	11115  M3x28 X2			

1

BAG(D)

- 11401  M3x4 X1
- 11106  M3x8 X2
- 11130  M2x20 X3



THREAD LOCK

11401

11106

11130

17009

32704

41293

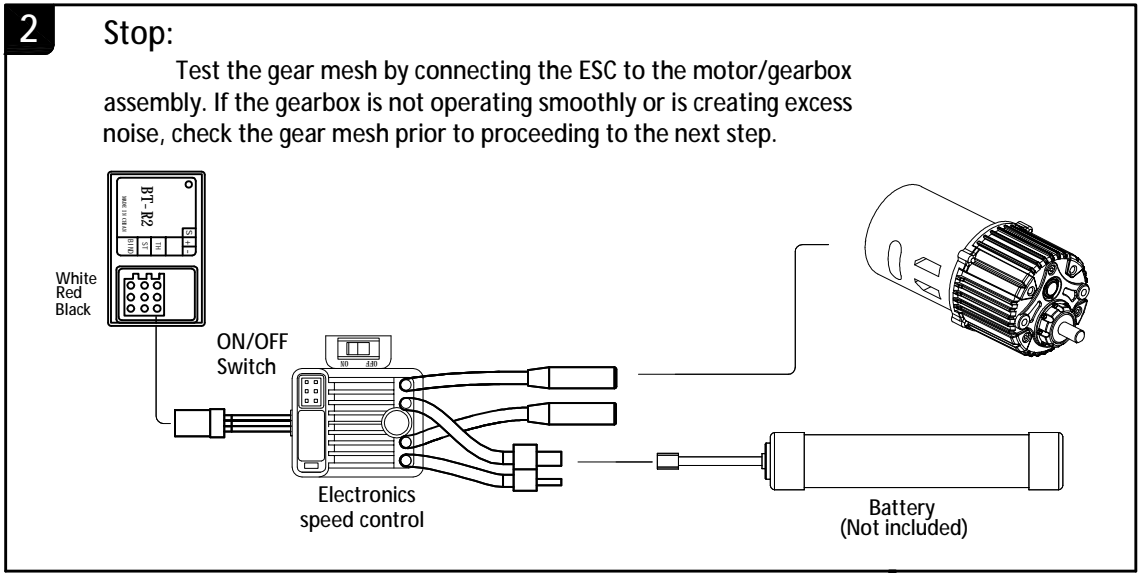
95028

200203
32703

11130

2 Stop:

Test the gear mesh by connecting the ESC to the motor/gearbox assembly. If the gearbox is not operating smoothly or is creating excess noise, check the gear mesh prior to proceeding to the next step.



White
Red
Black




BT-R2

ON/OFF
Switch

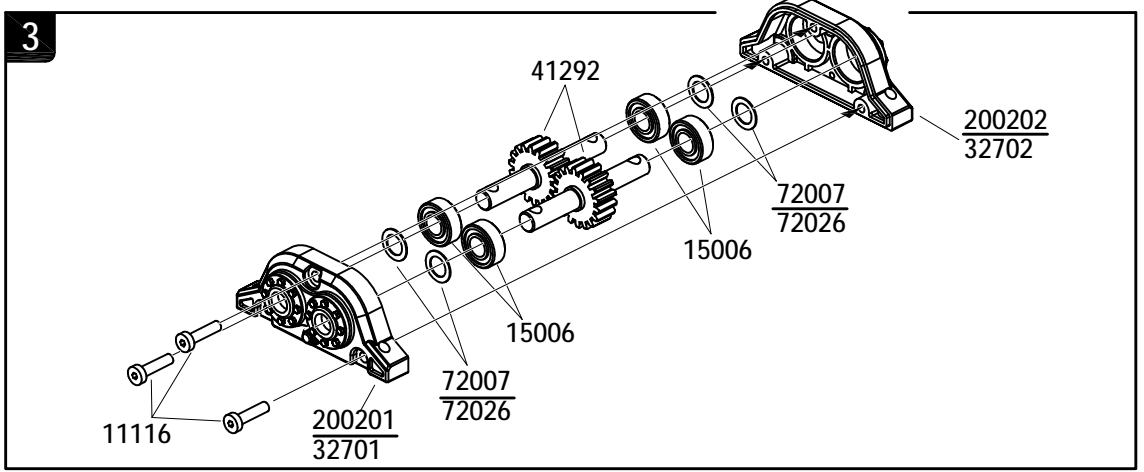
Electronics
speed control

Battery
(Not included)

BAG(C)

- 11116  M2.5x12 X3
- 15006  $\phi 5 \times \phi 11 \times 4$ X4
- 72007/72026 X4
-  $\phi 5 \times \phi 8 \times 0.3 / \phi 5 \times \phi 8 \times 0.3$

3



11116

200201
32701

15006

72007
72026

15006

41292

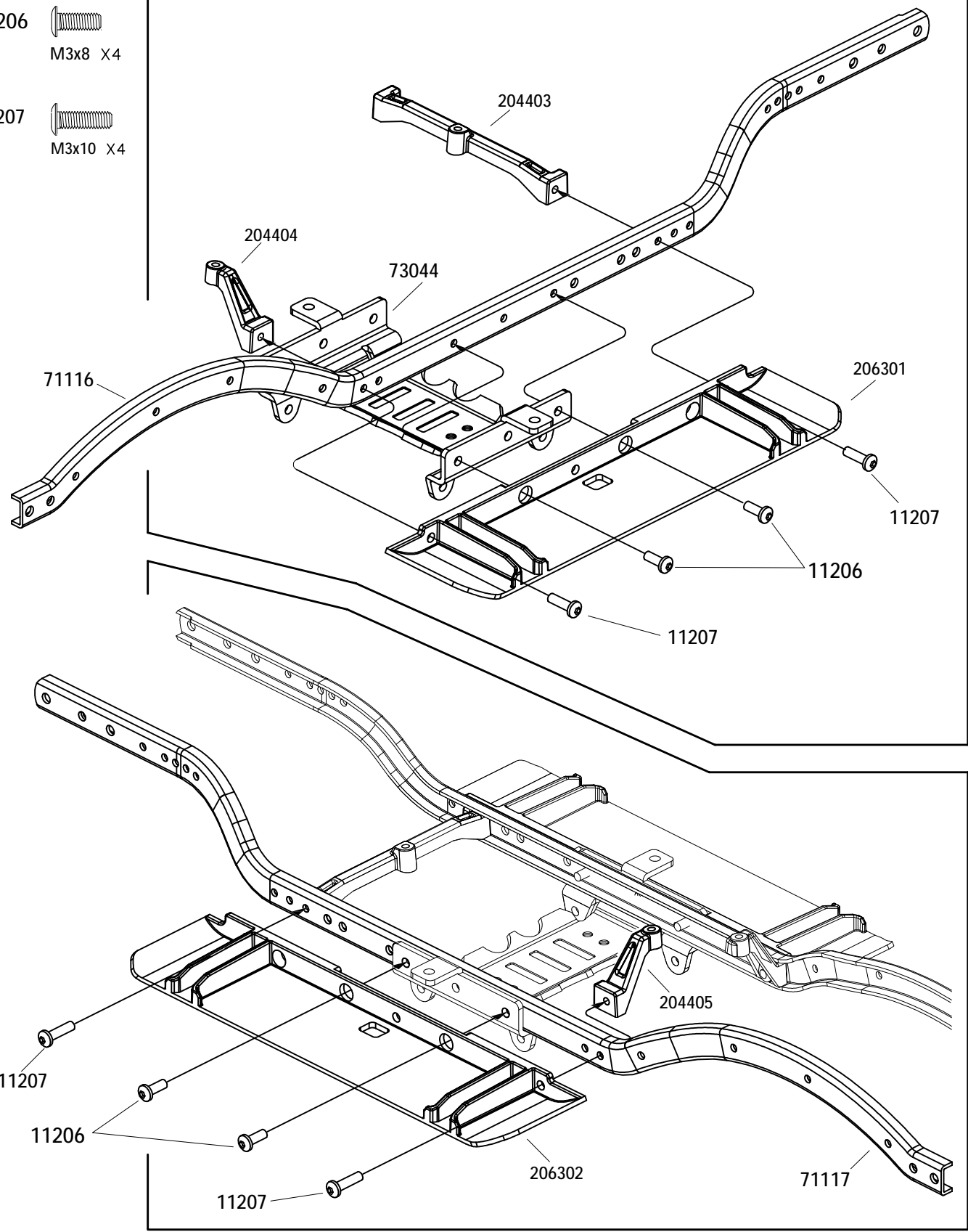
200202
32702

4 VR4(A)/(B)/(C)


BAG(S)

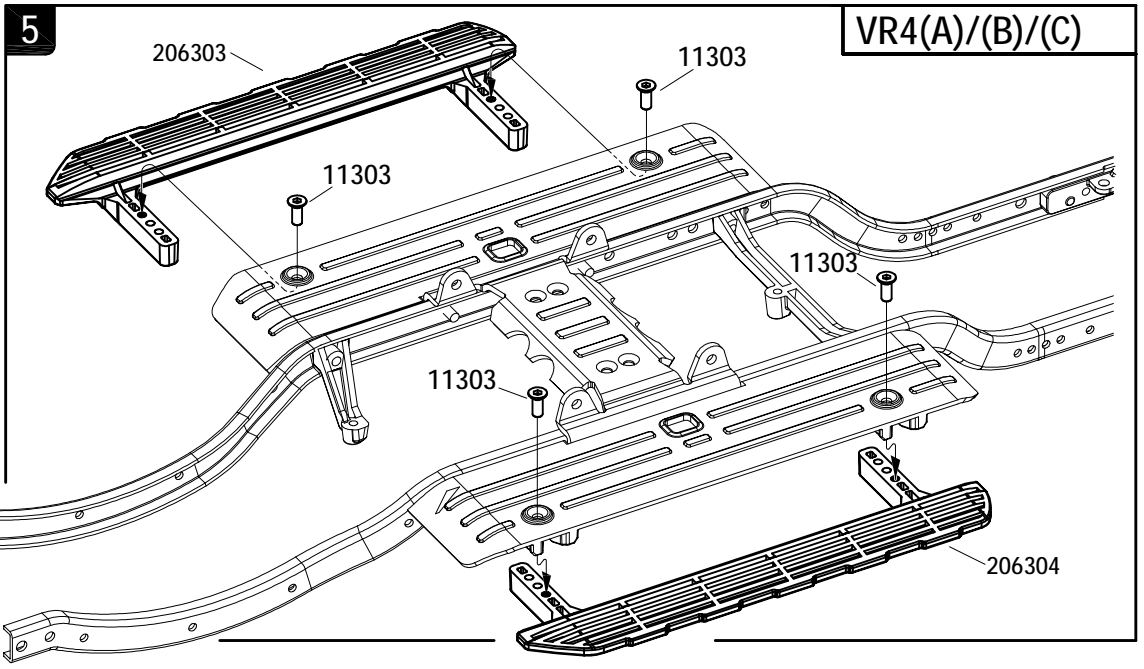
11206 M3x8 X4


11207 M3x10 X4

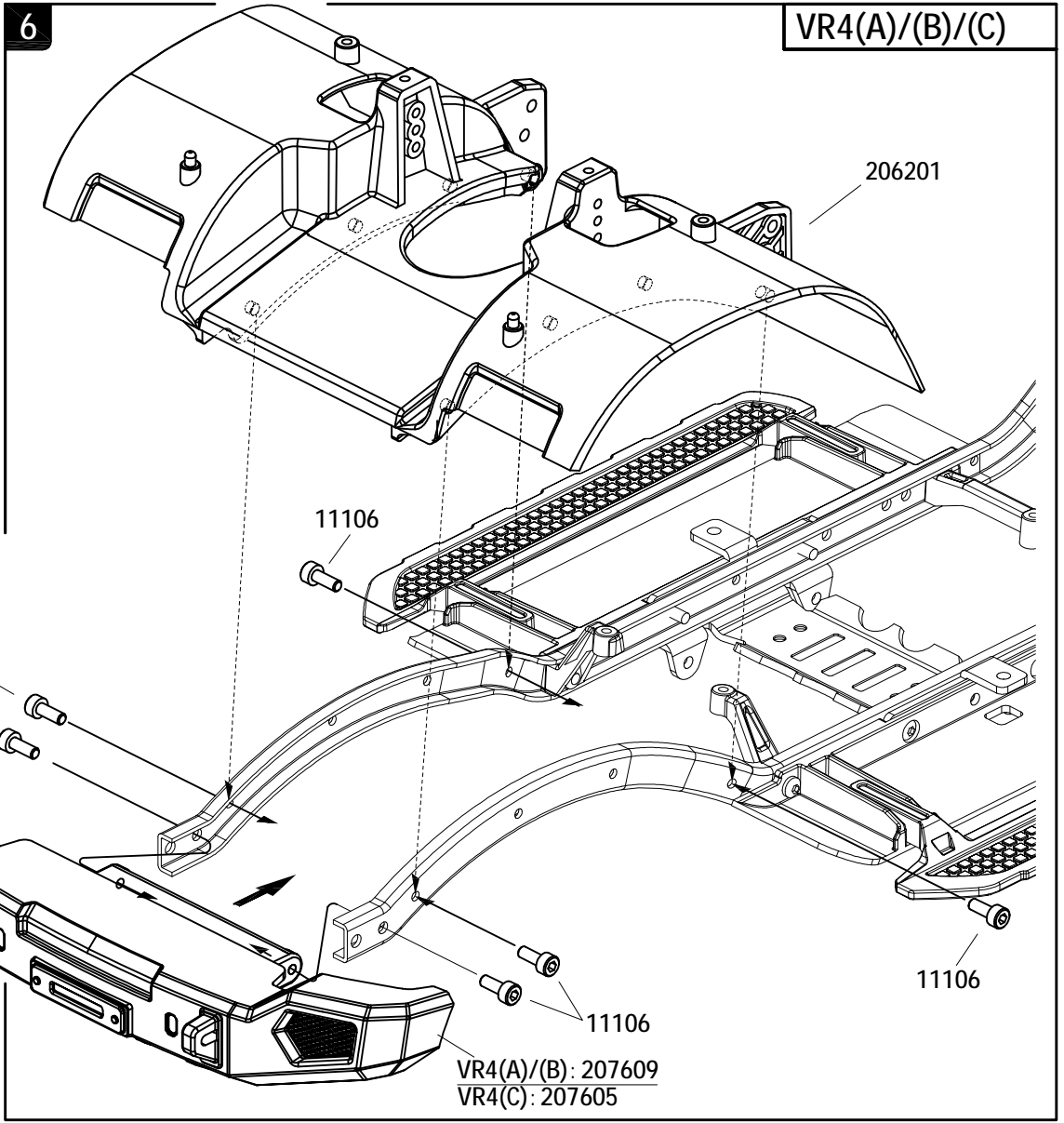


BAG(S)

11303 
M3x8 X4




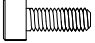
11106 
M3x8 X6

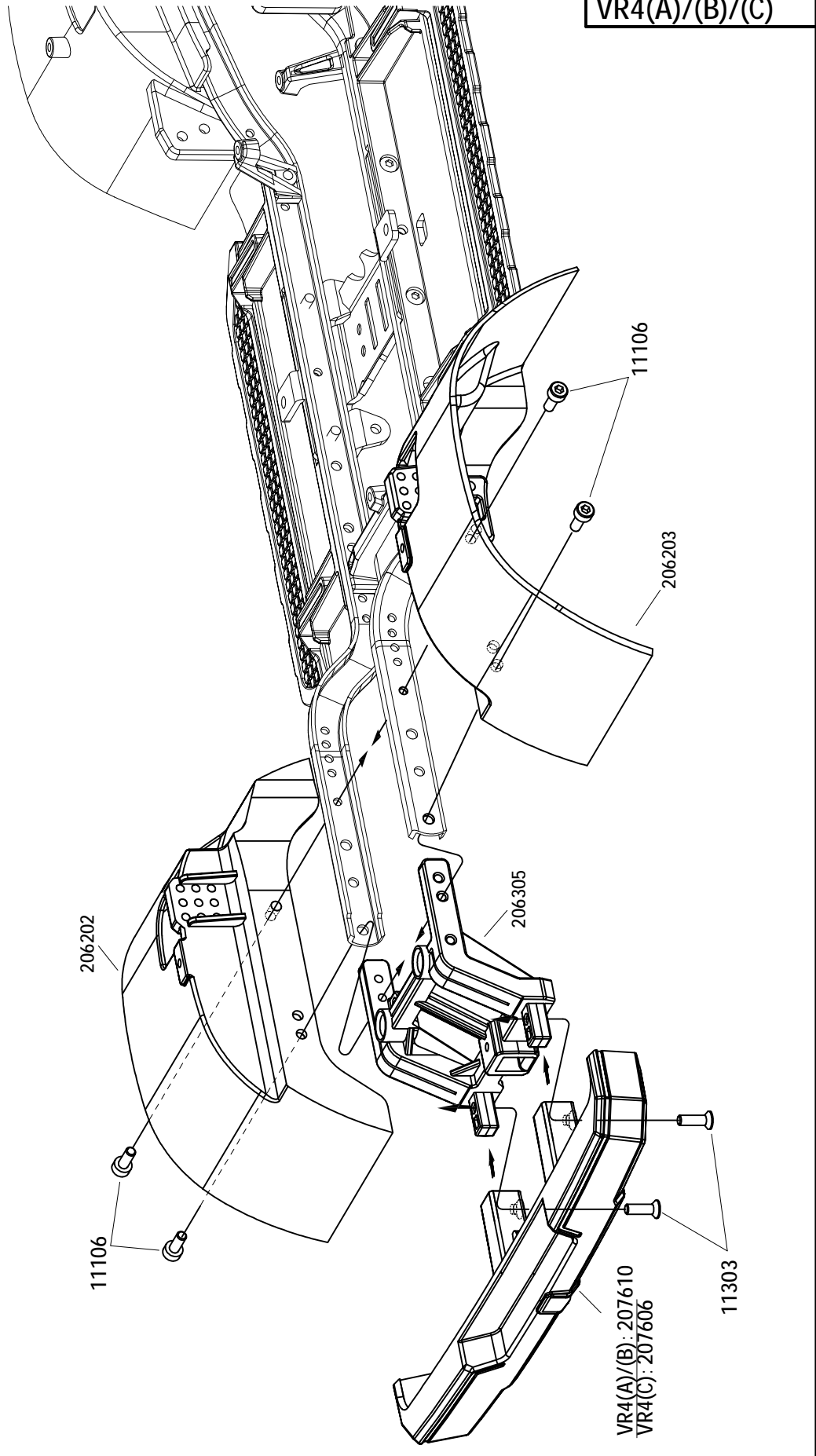


7

VR4(A)/(B)/(C)

BAG(S)


- 11303  M3x8 X2
- 11106  M3x8 X4



8

VR4(A)/(B)/(C)

BAG(B)

13004  |
φ2.0xφ5.5x0.4 X8

φ6.5xφ2.5xφ2



17007 X12

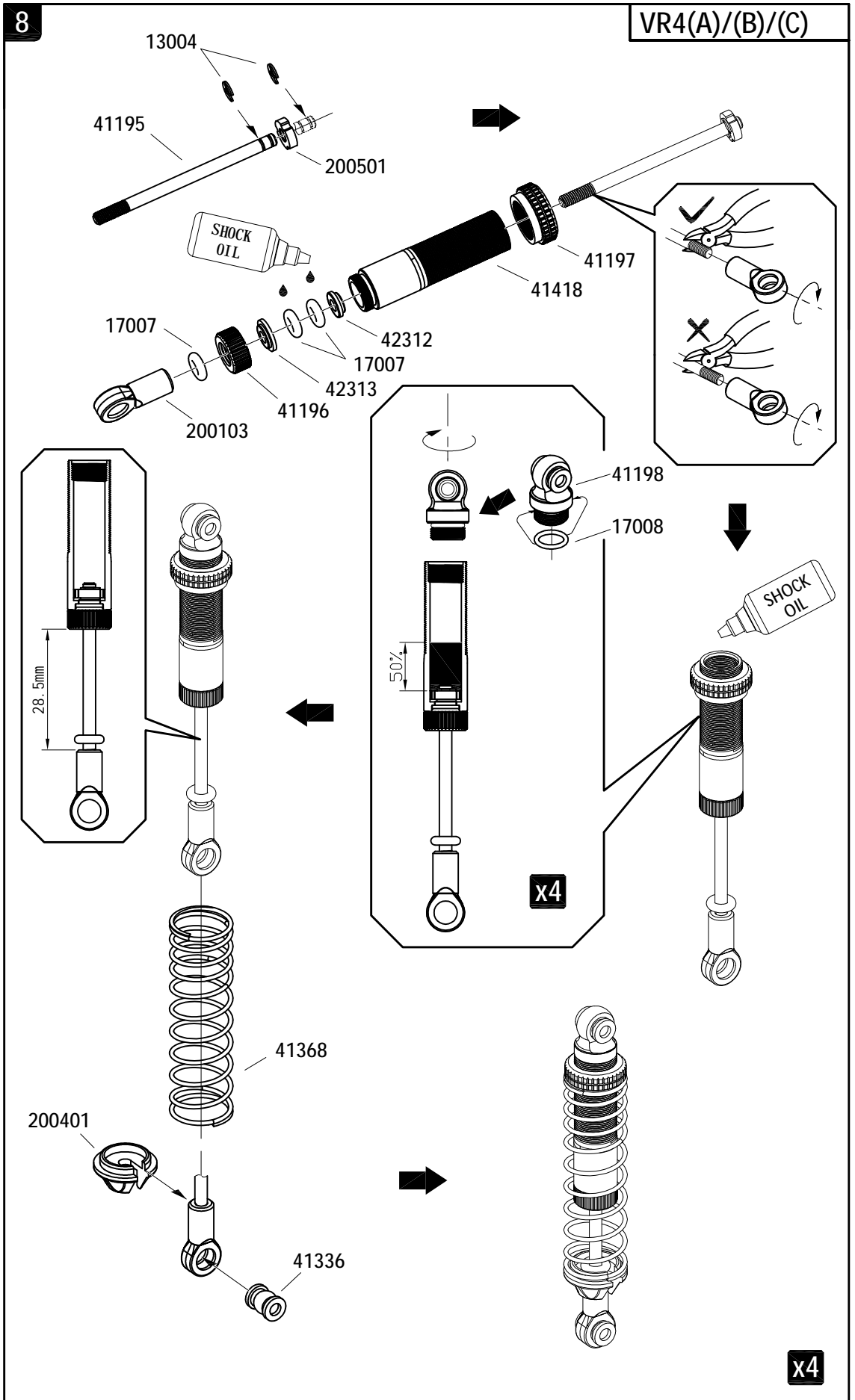
φ7xφ5xφ1



17008 X4



41336 X4



x4

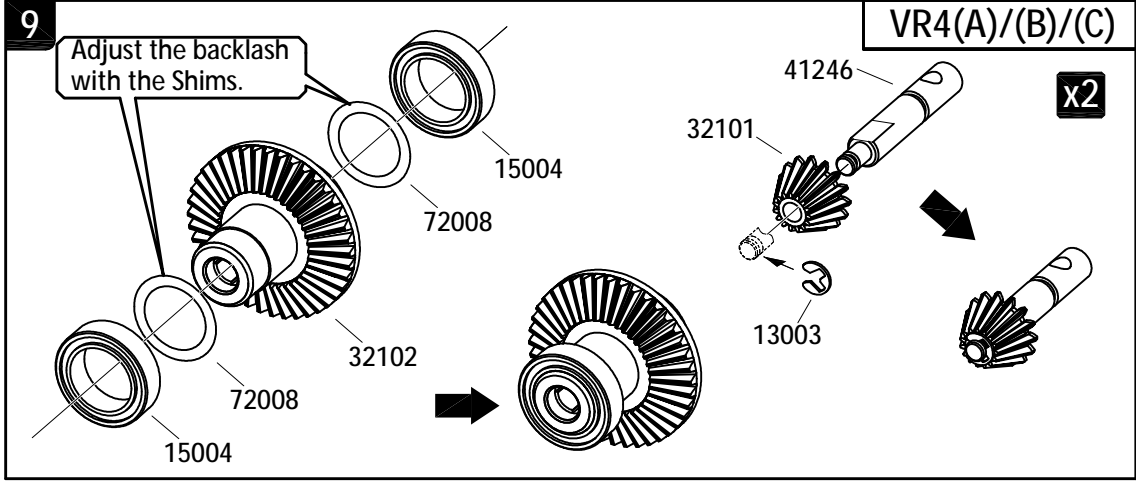
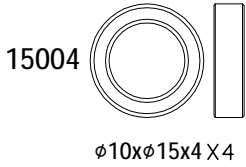
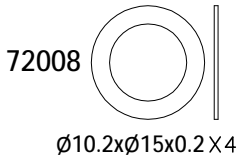
VR4(A)/(B)/(C)

9

Adjust the backlash with the Shims.

x2

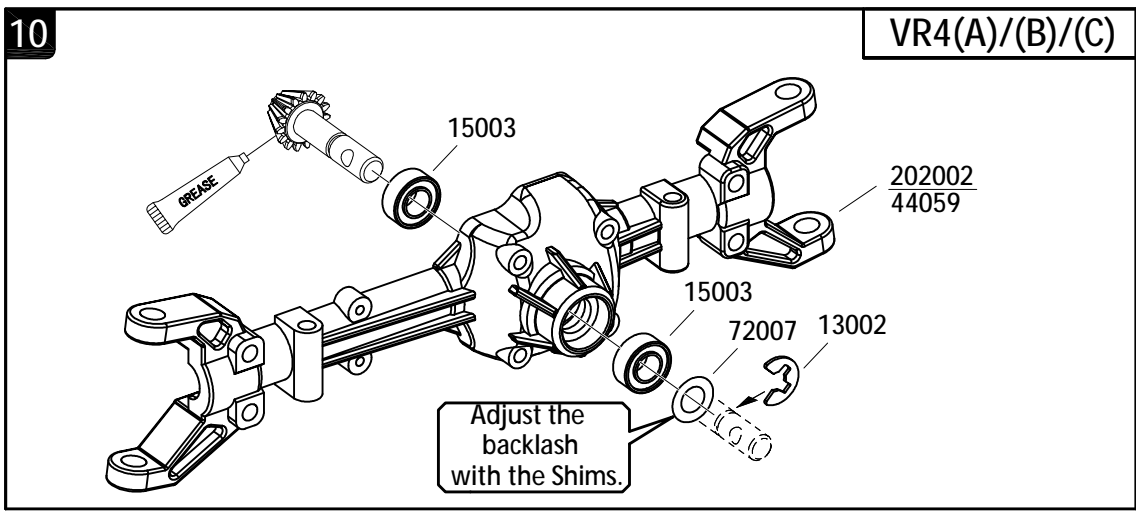
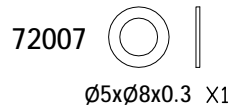
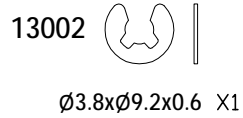
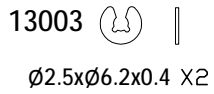
BAG(F)



VR4(A)/(B)/(C)

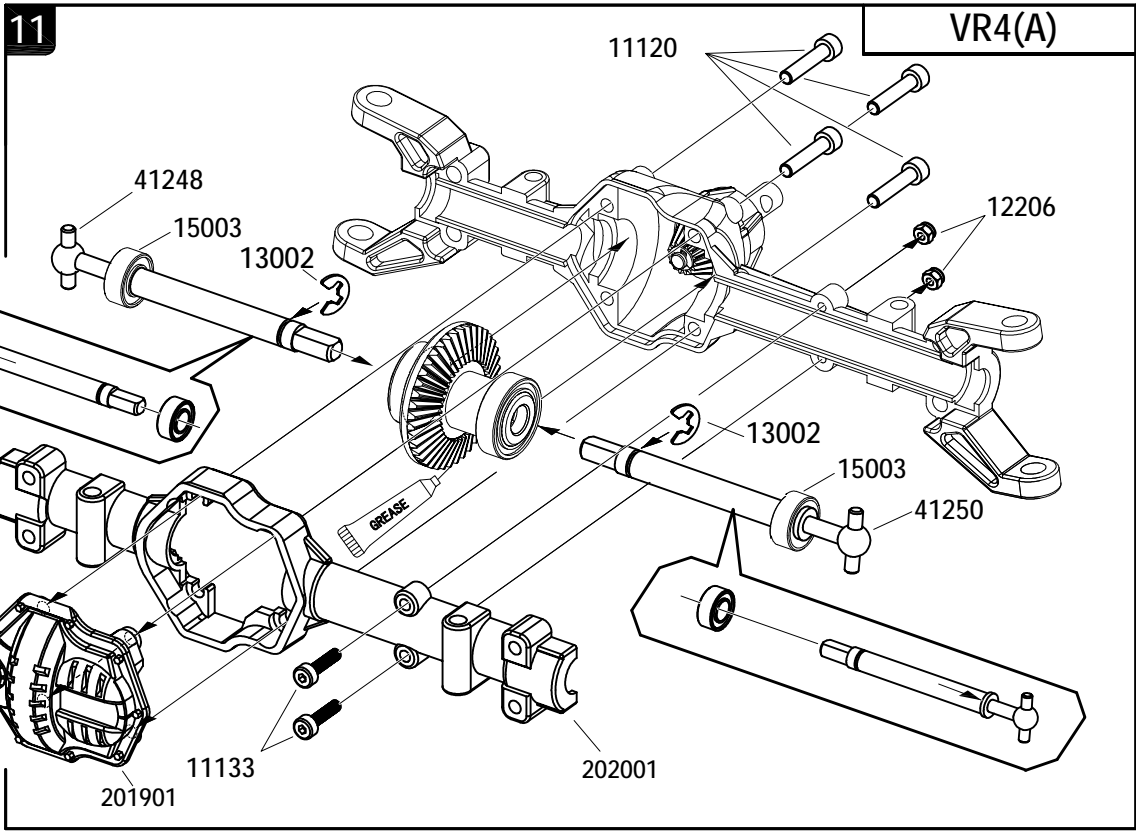
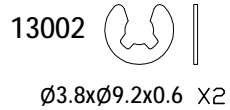
10

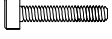
Adjust the backlash with the Shims.




VR4(A)


11



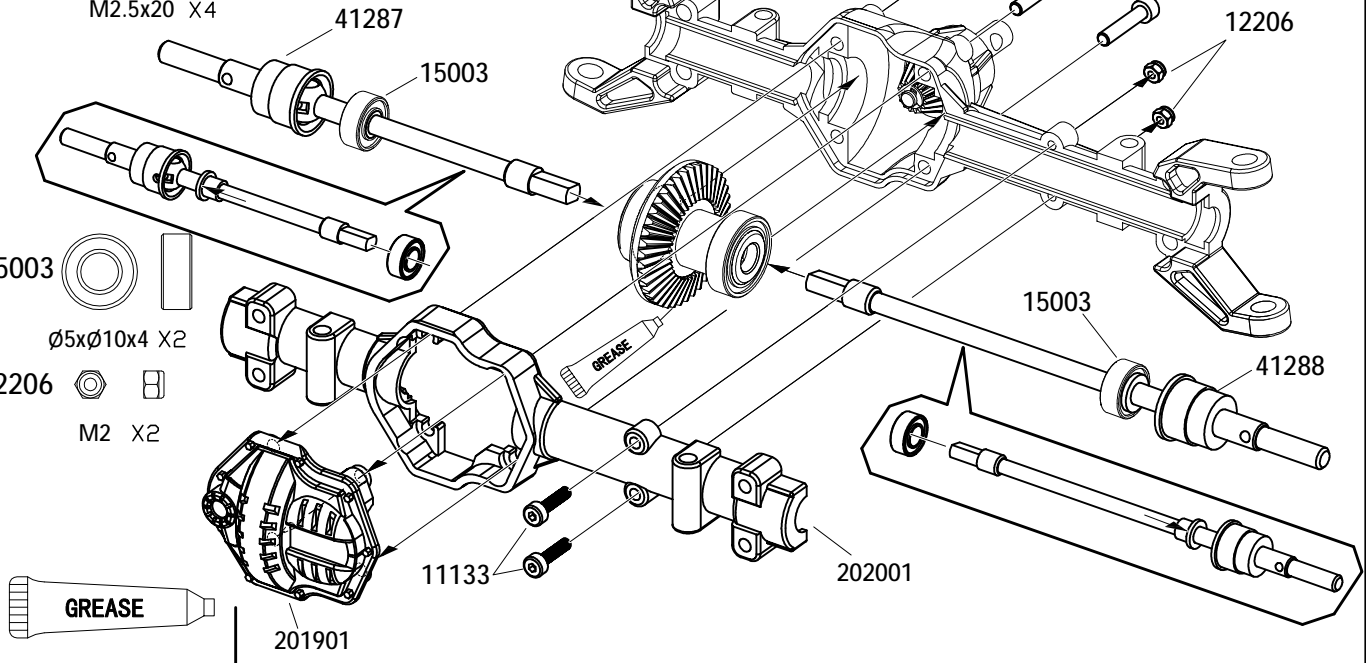
11133 
M2x12 X2

11120 
M2.5x20 X4


15003 
ø5xø10x4 X2


12206 
M2 X2

VR4(B)

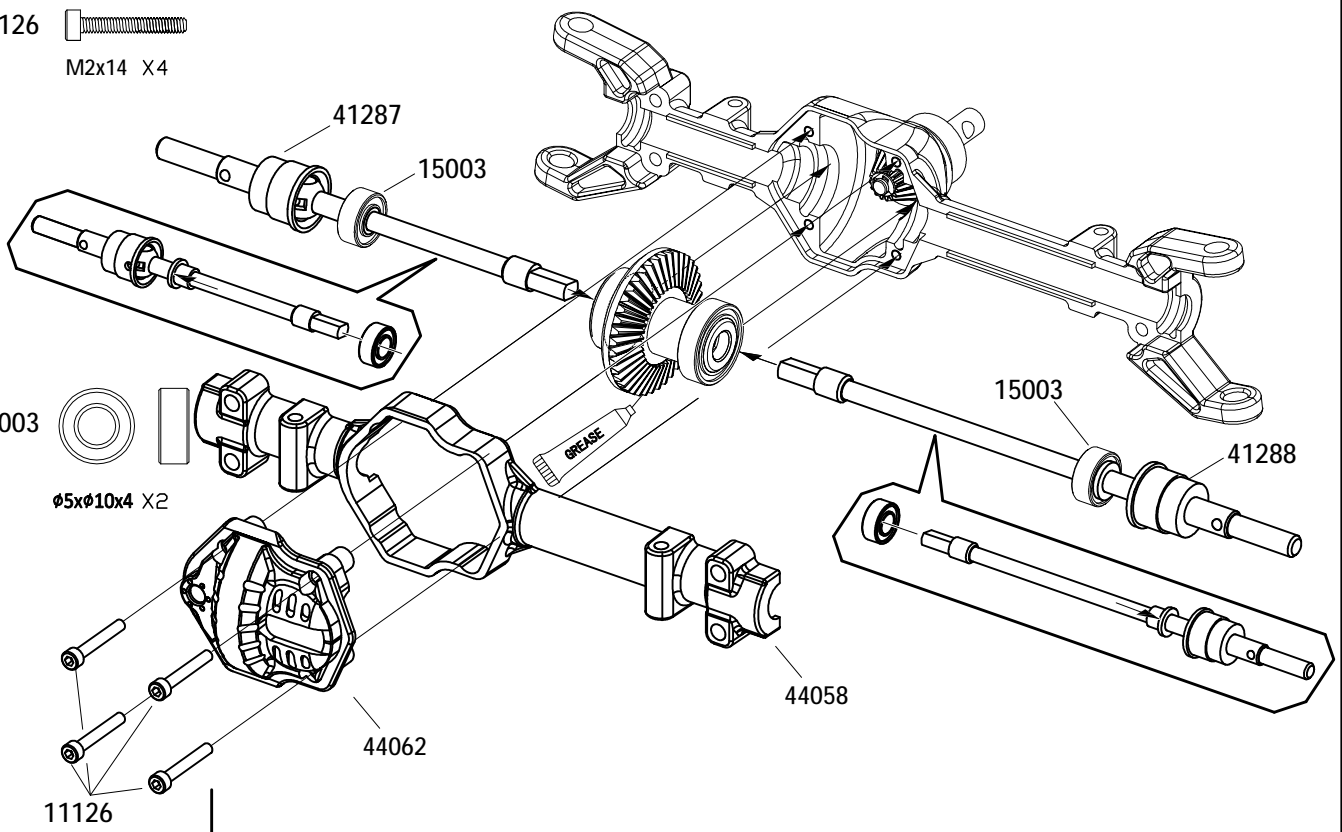


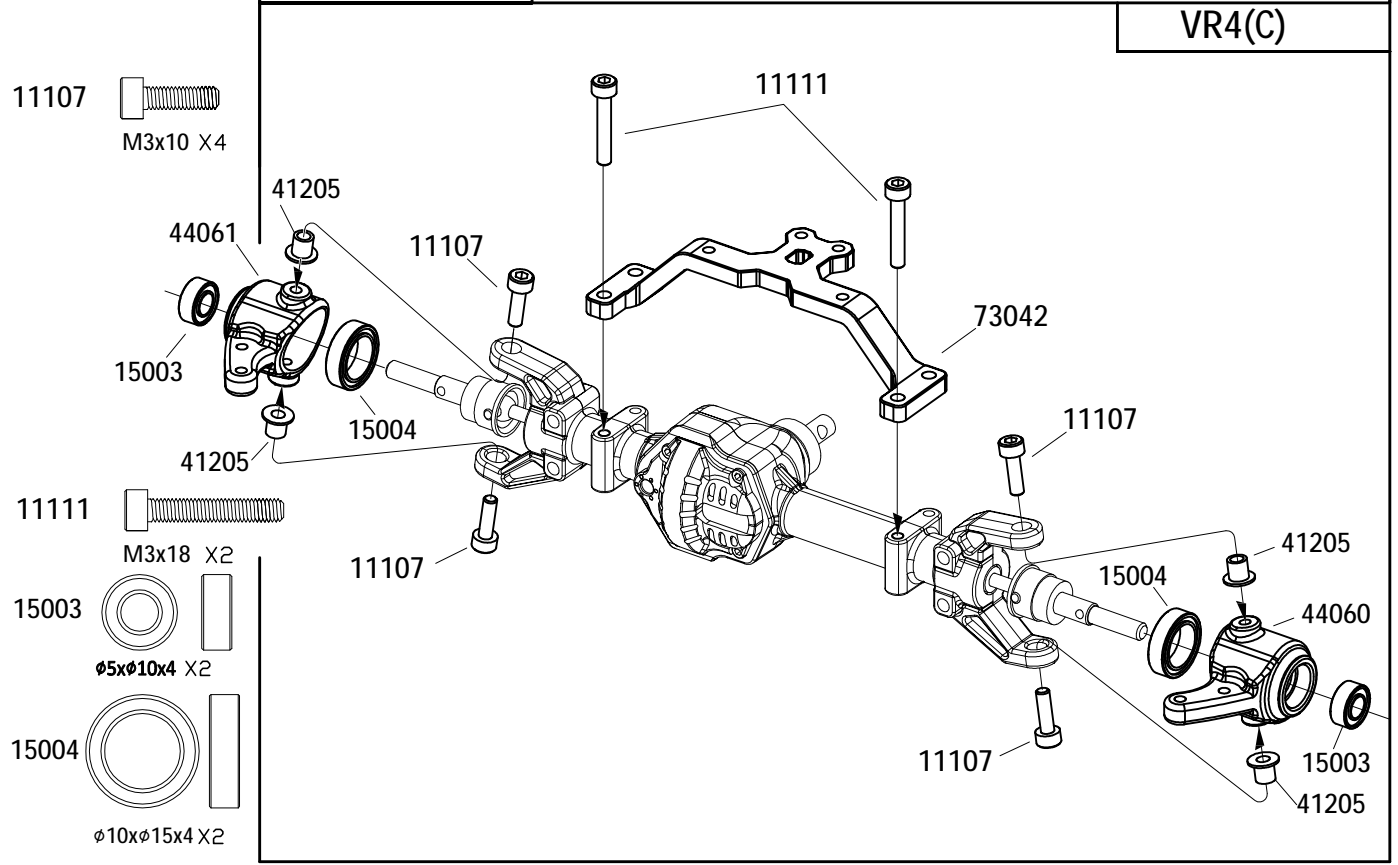
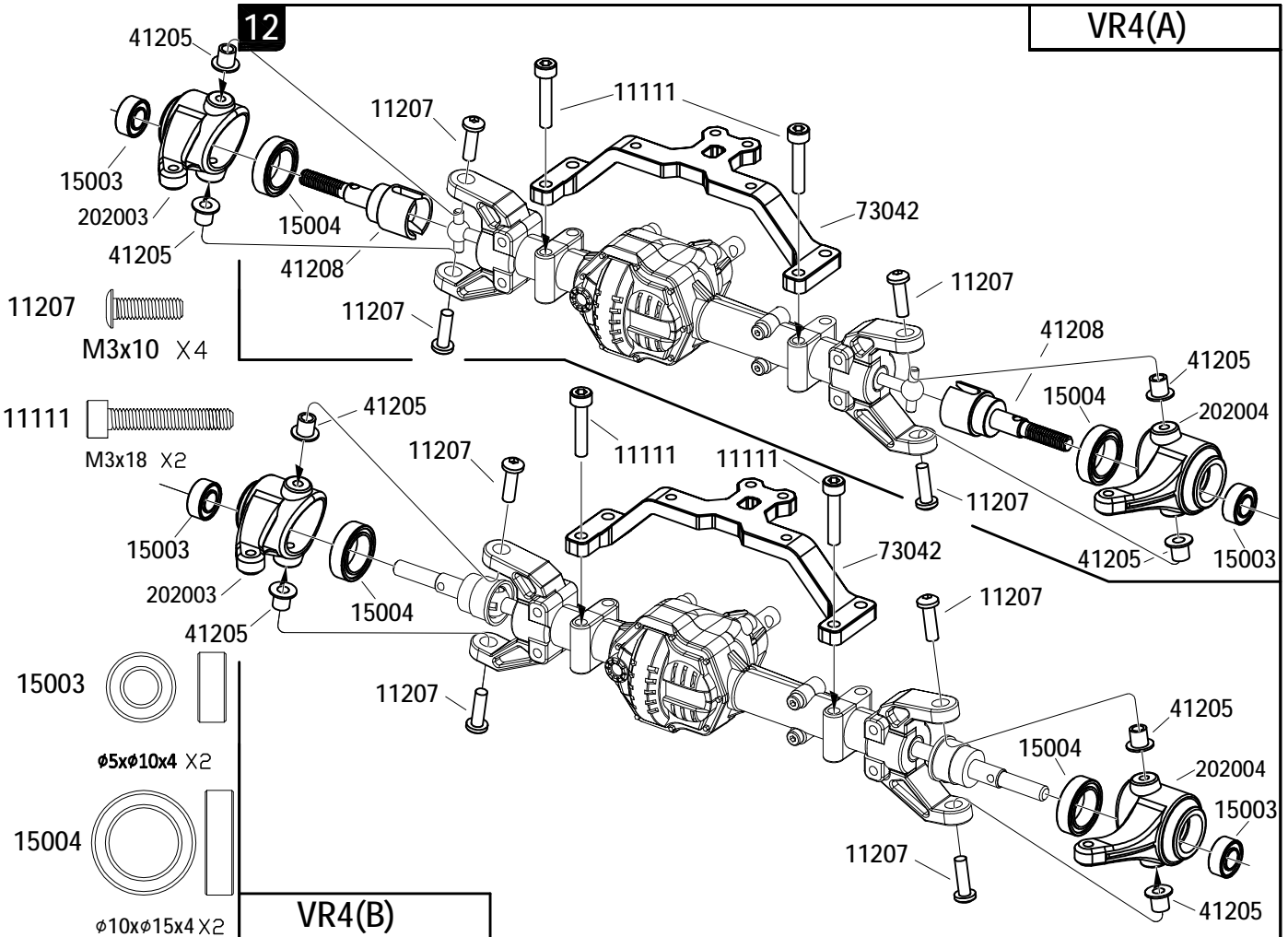
VR4(C)

11126 
M2x14 X4

15003 
ø5xø10x4 X2




11126

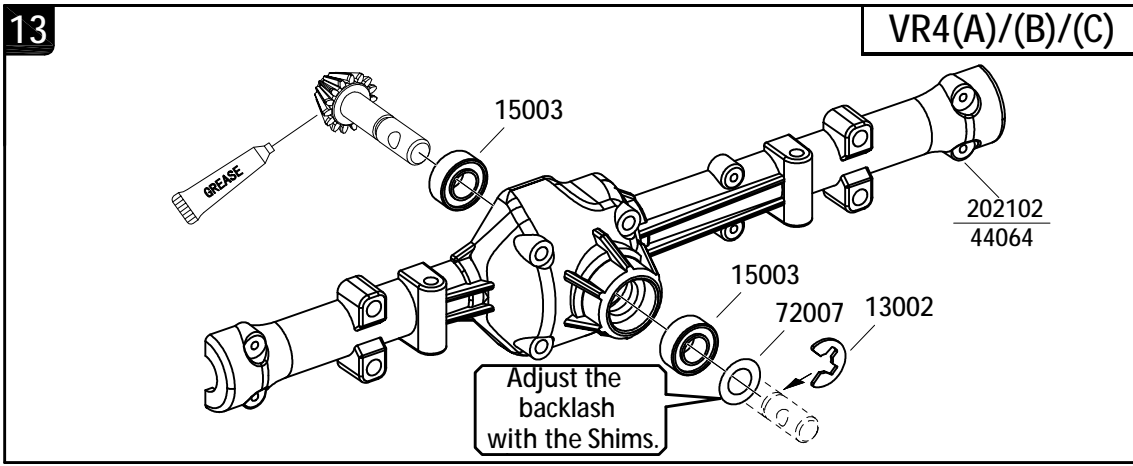




13




VR4(A)/(B)/(C)

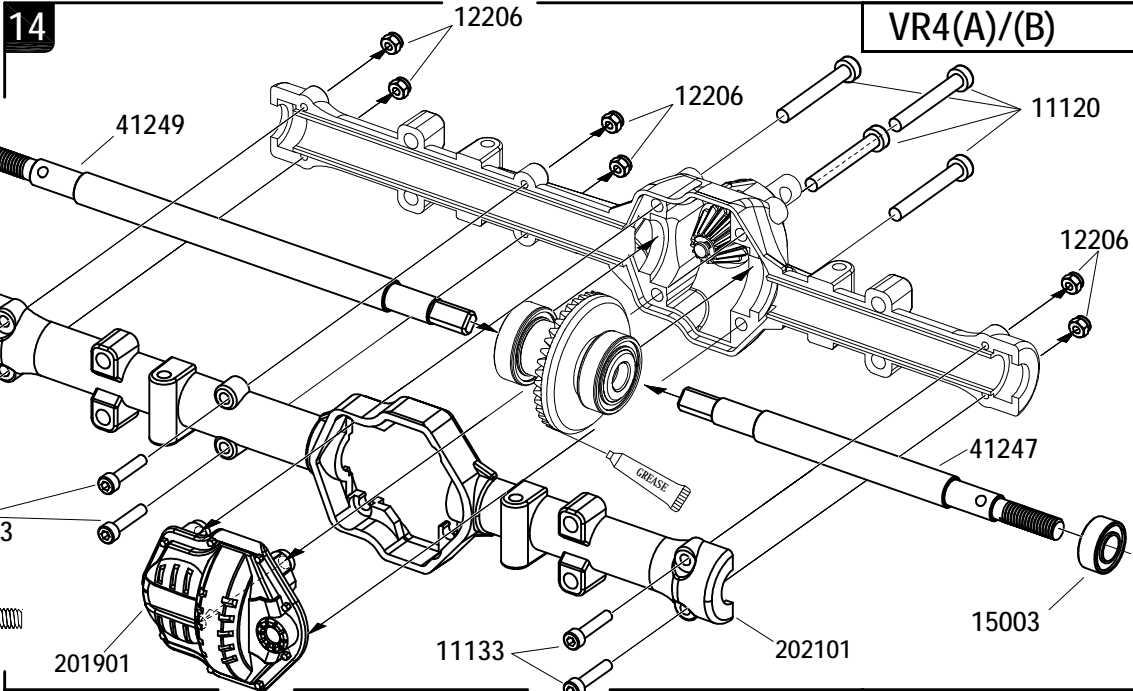
- 13002  |
 $\varnothing 8 \times \varnothing 9.2 \times 0.6$ X1
- 15003  |
 $\varnothing 5 \times \varnothing 10 \times 4$ x2
- 72007  |
 $\varnothing 5 \times \varnothing 8 \times 0.3$ x1






14

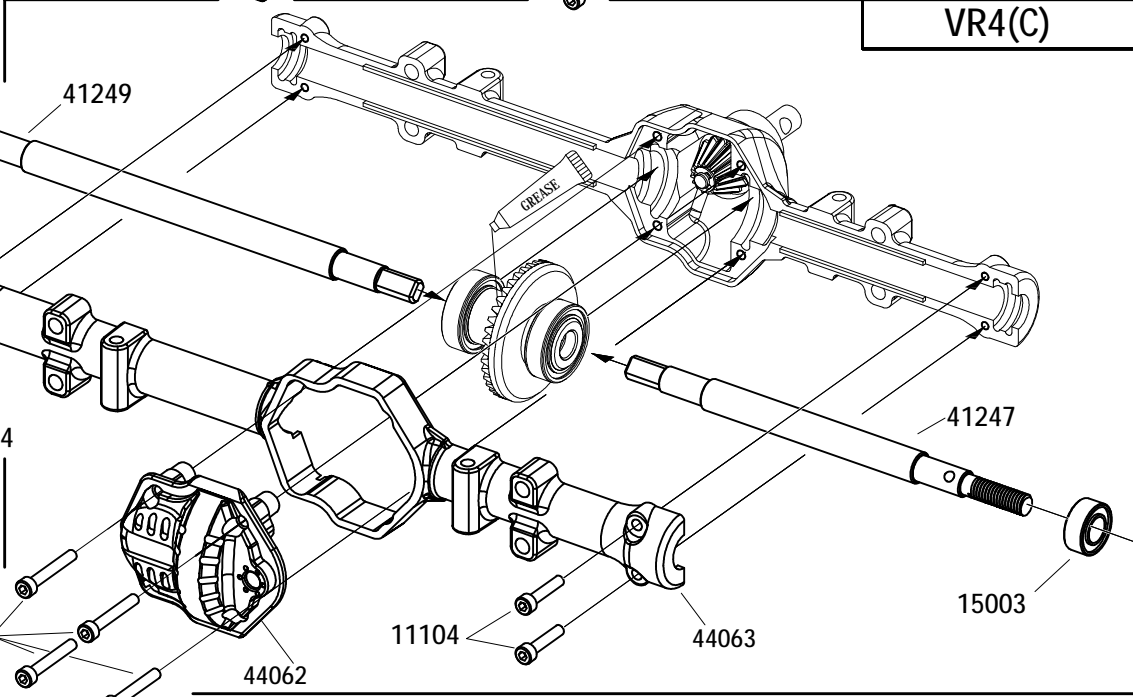
VR4(A)/(B)

- 11133  |
M2x12 X6
- 12206  |
M2 X6
- 15003  |
 $\varnothing 5 \times \varnothing 10 \times 4$ X2




VR4(C)

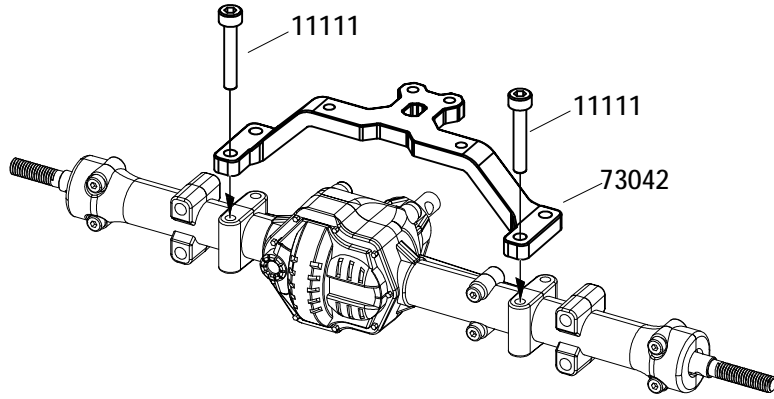
- 11104  |
M2x10 X4
- 11126  |
M2x14 X4
- 15003  |
 $\varnothing 5 \times \varnothing 10 \times 4$ X2



15

VR4(A)/(B)/(C)

11111 
M3x18 X2




16


VR4(A)/(B)/(C)


BAG(S)

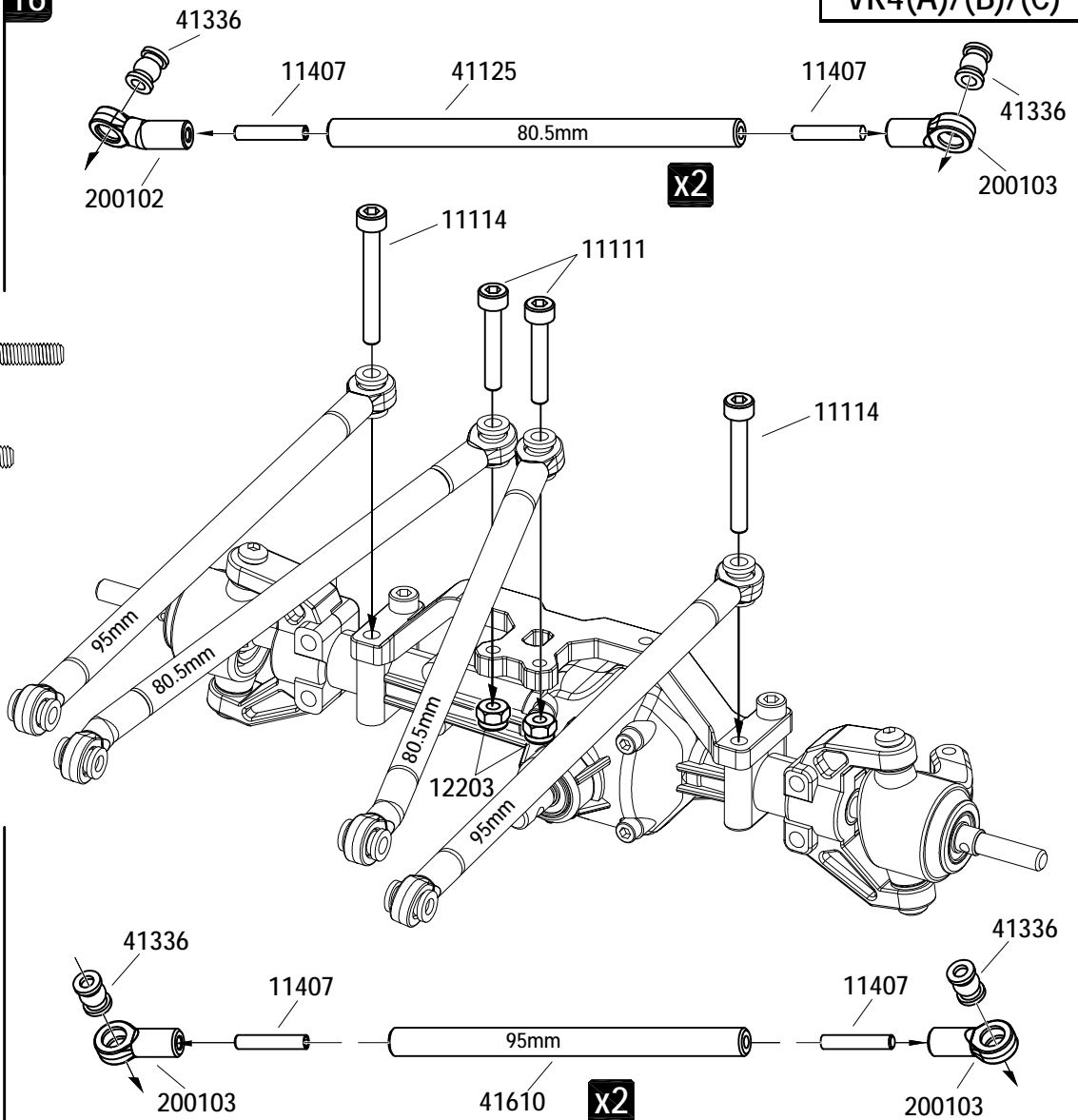
11407 
M3x16 X8

12203  
M3 X2

11114 
M3x25 X2

11111 
M3x18 X2





41336 X8

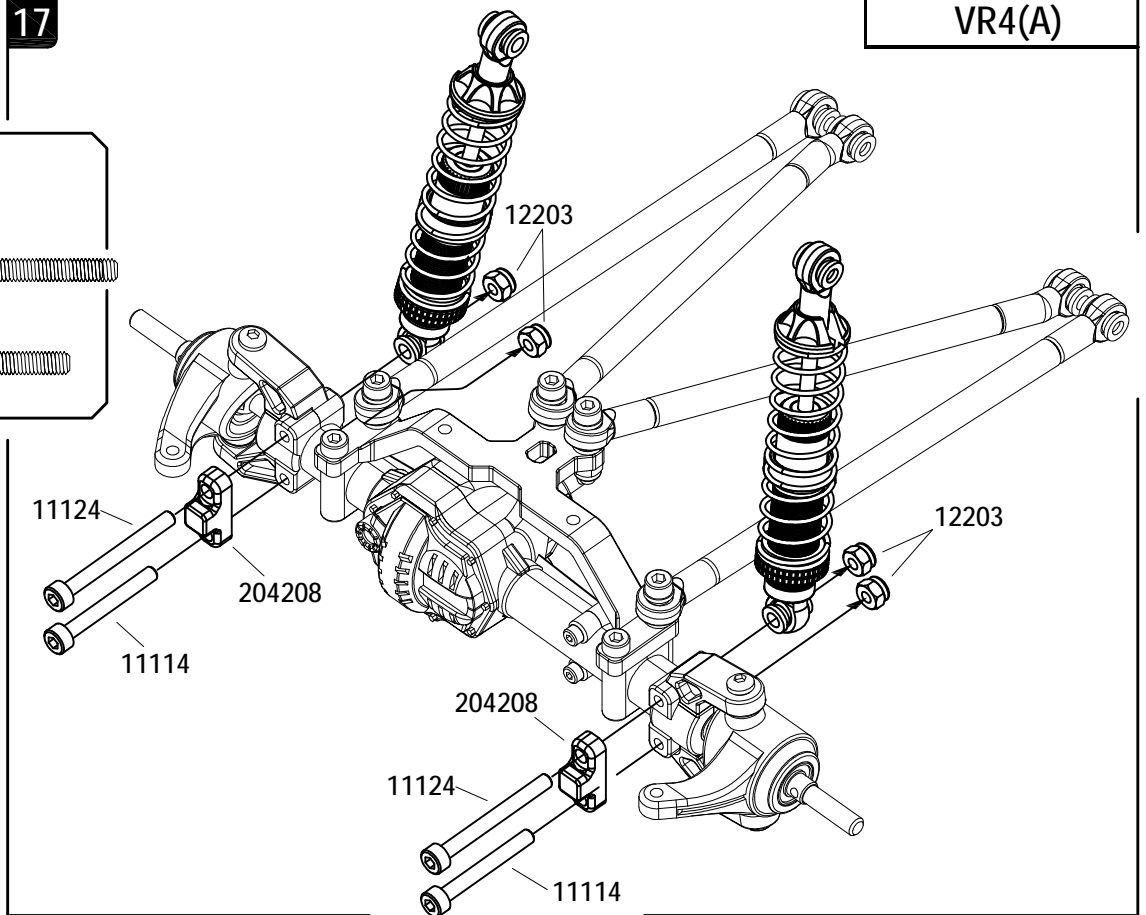


17

VR4(A)




BAG(AA)

12203		M3 X4
11124		M3x32 X2
11114		M3x25 X2

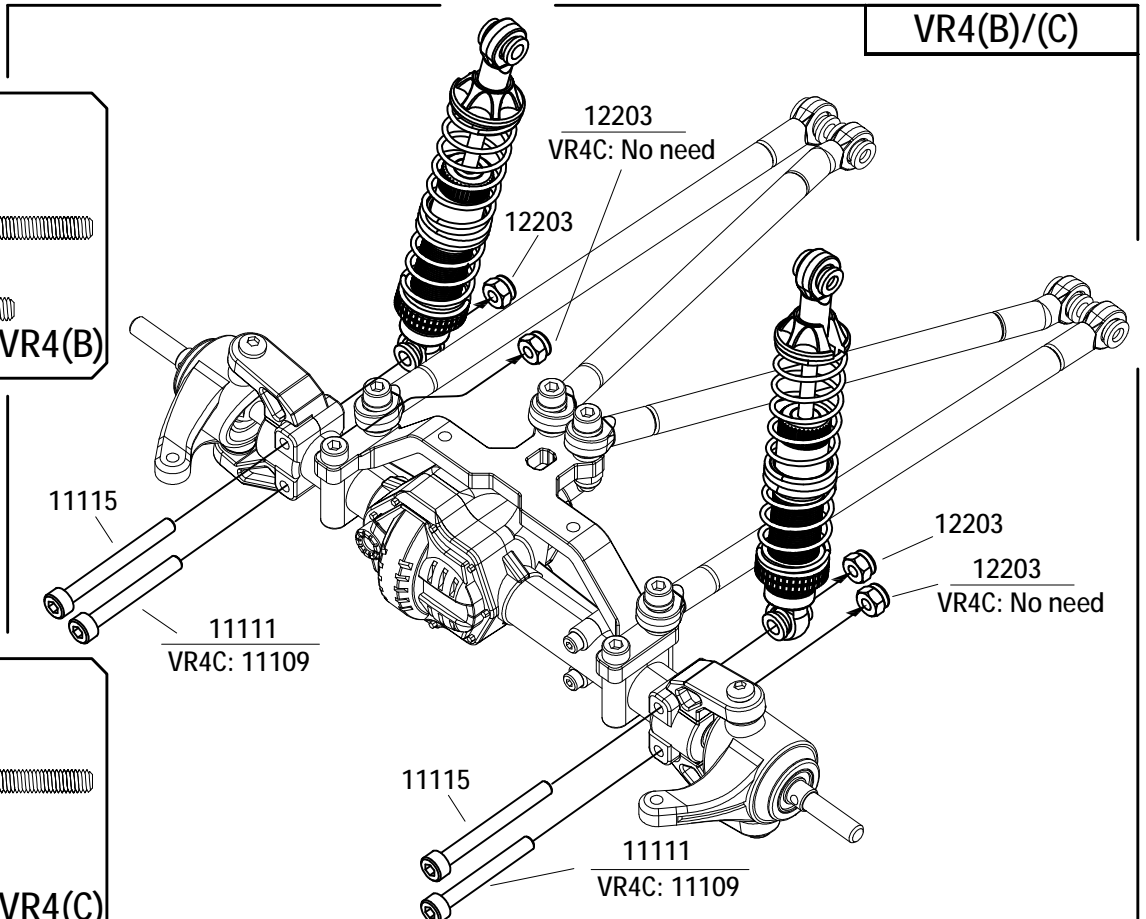


BAG(BB)


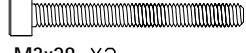
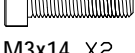
VR4(B)/(C)

12203		M3 X4
11115		M3x28 X2
11111		M3x18 X2

VR4(B)



BAG(CC)



12203		M3 X2
11115		M3x28 X2
11109		M3x14 X2

VR4(C)

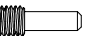
18

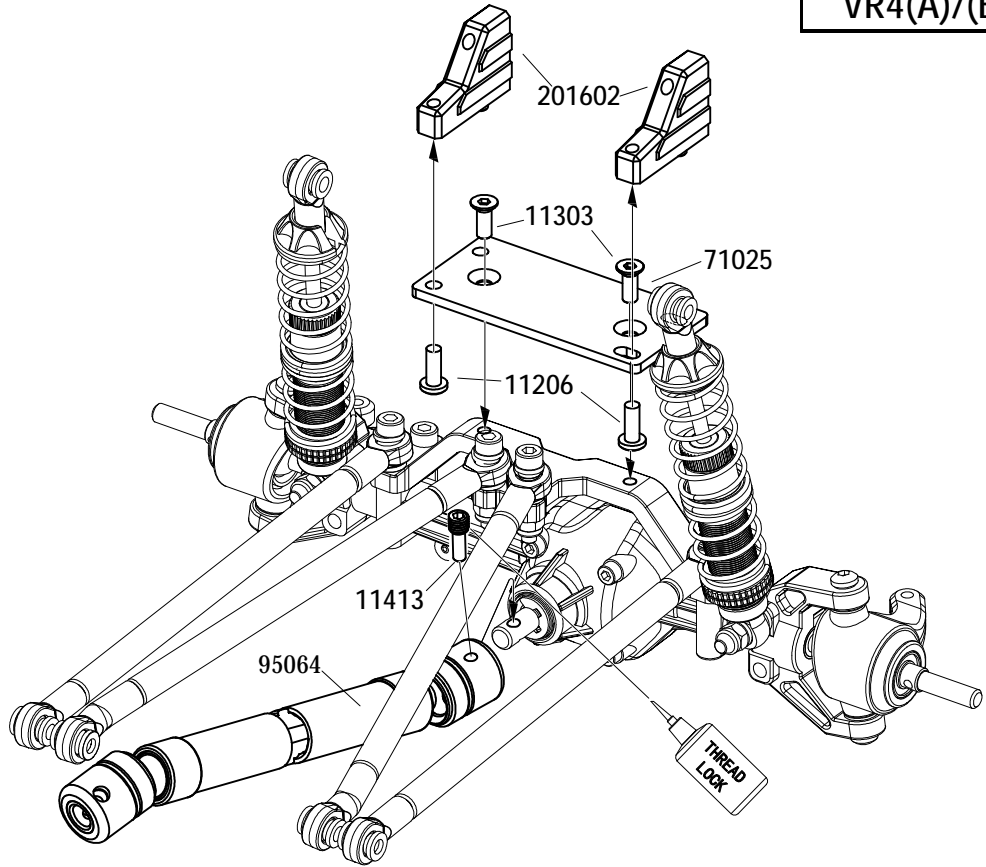
VR4(A)/(B)

BAG(S)

- 11303  M3x8 X2
- 11206  M3x8 X2


BAG(GG)

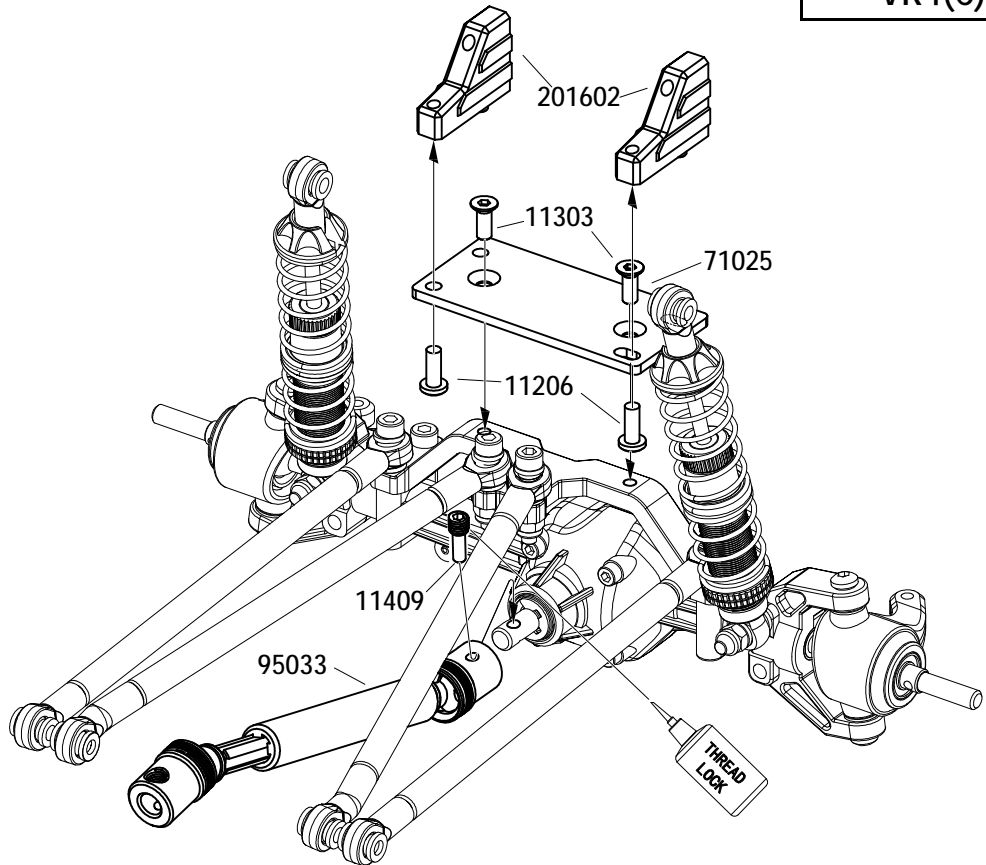
- 11413  M4x12 X1




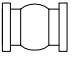
VR4(C)

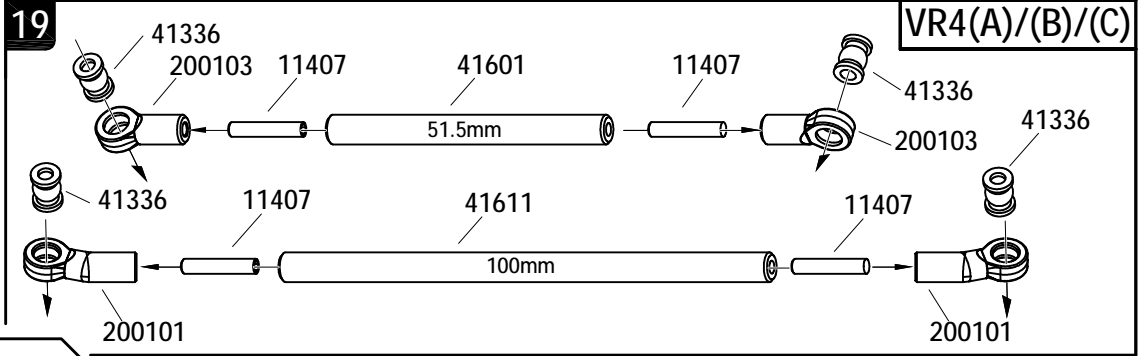
BAG(G)








- 11409  M4x11 X1

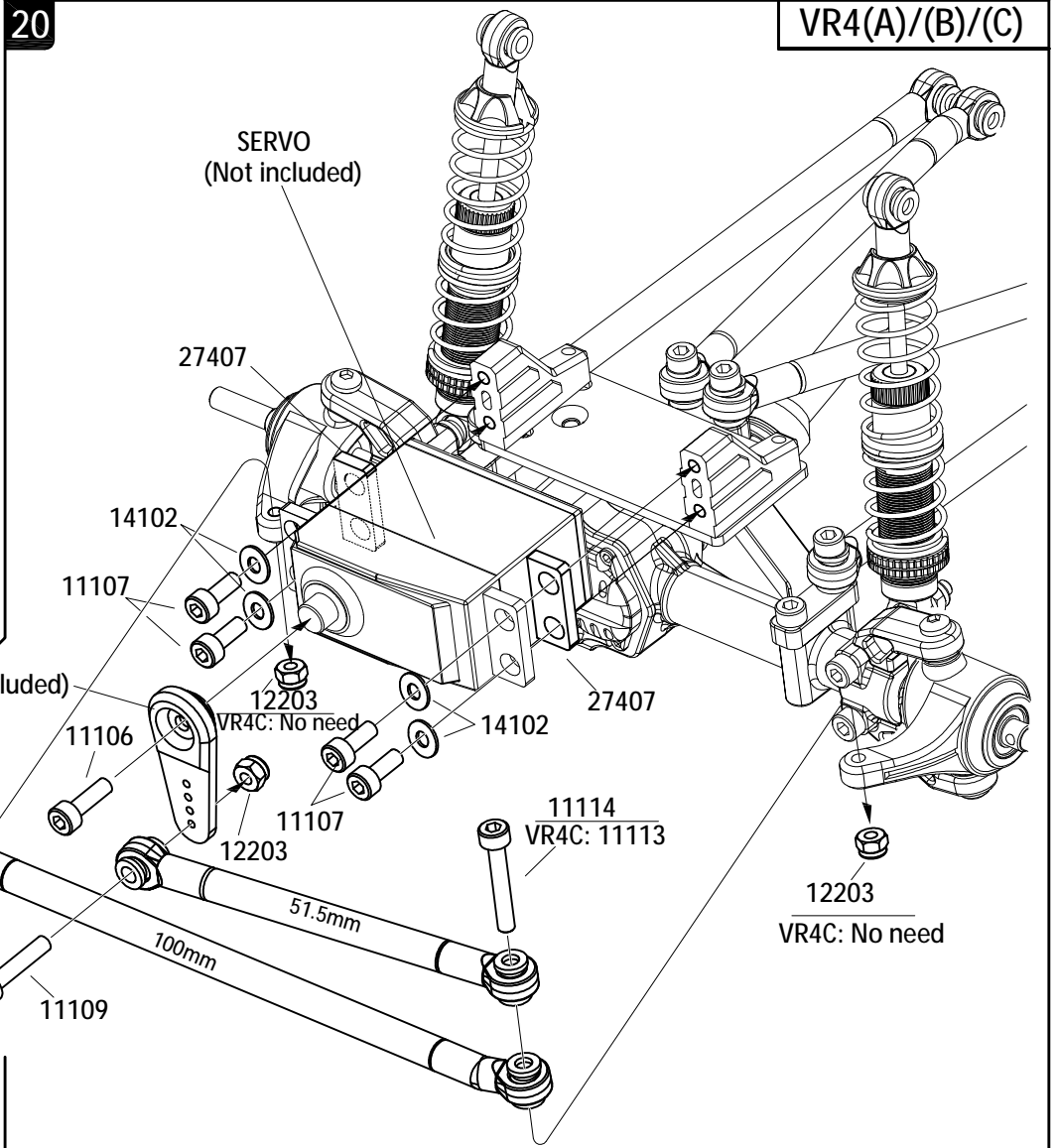


BAG(S)







- 11407  M3x16 X4
- 41336  X4



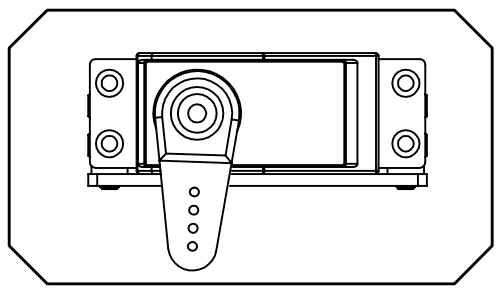
- 11107  M3x10 X4
 - 14102  $\phi 3 \times \phi 7 \times 0.5 \times 4$
 - 12203  M3 X3
 - 11106  M3x8 X1
 - 11109  M3x14 X1
 - 11111  M3x18 X1
 - 11114  M3x25 X1
- VR4(A)/(B)**



BAG(CC)

- 11107  M3x10 X4
 - 14102  $\phi 3 \times \phi 7 \times 0.5 \times 4$
 - 12203  M3 X1
 - 11106  M3x8 X1
 - 11109  M3x14 X2
 - 11113  M3x22 X1
- VR4(C)**


STOP!
Turn on the transmitter, then the receiver. Set the servo trim to its neutral position, check the servo for functionality, then attach the servo horn.





21


VR4(A)/(B)/(C)

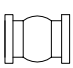
BAG(S)

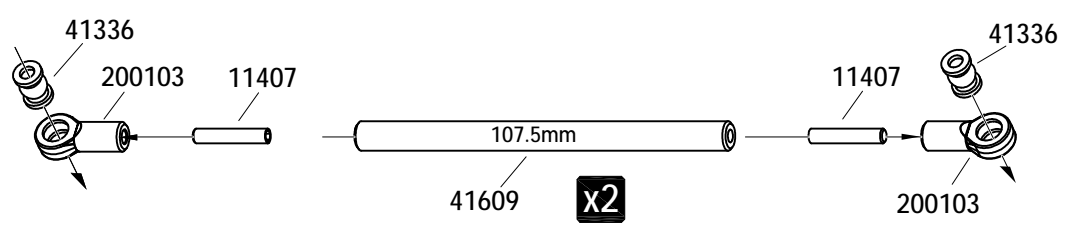
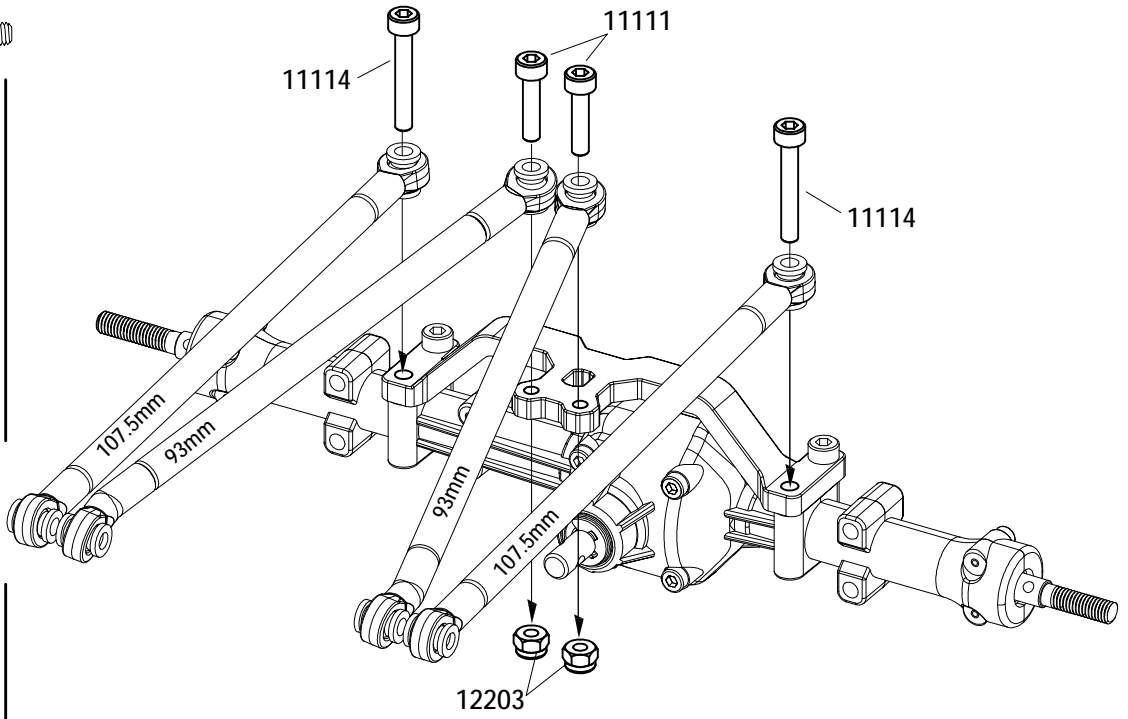
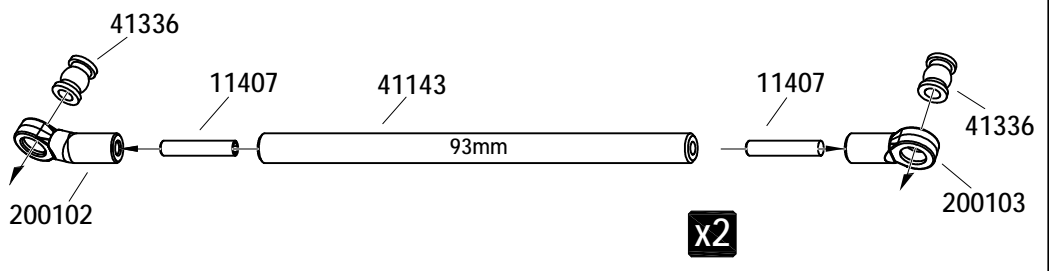
11407  M3x16 X8

12203  M3 X2

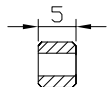
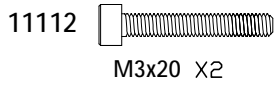
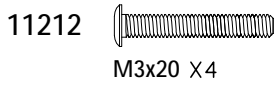
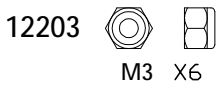
11114  M3x25 X2

11111  M3x18 X2

 41336 X8

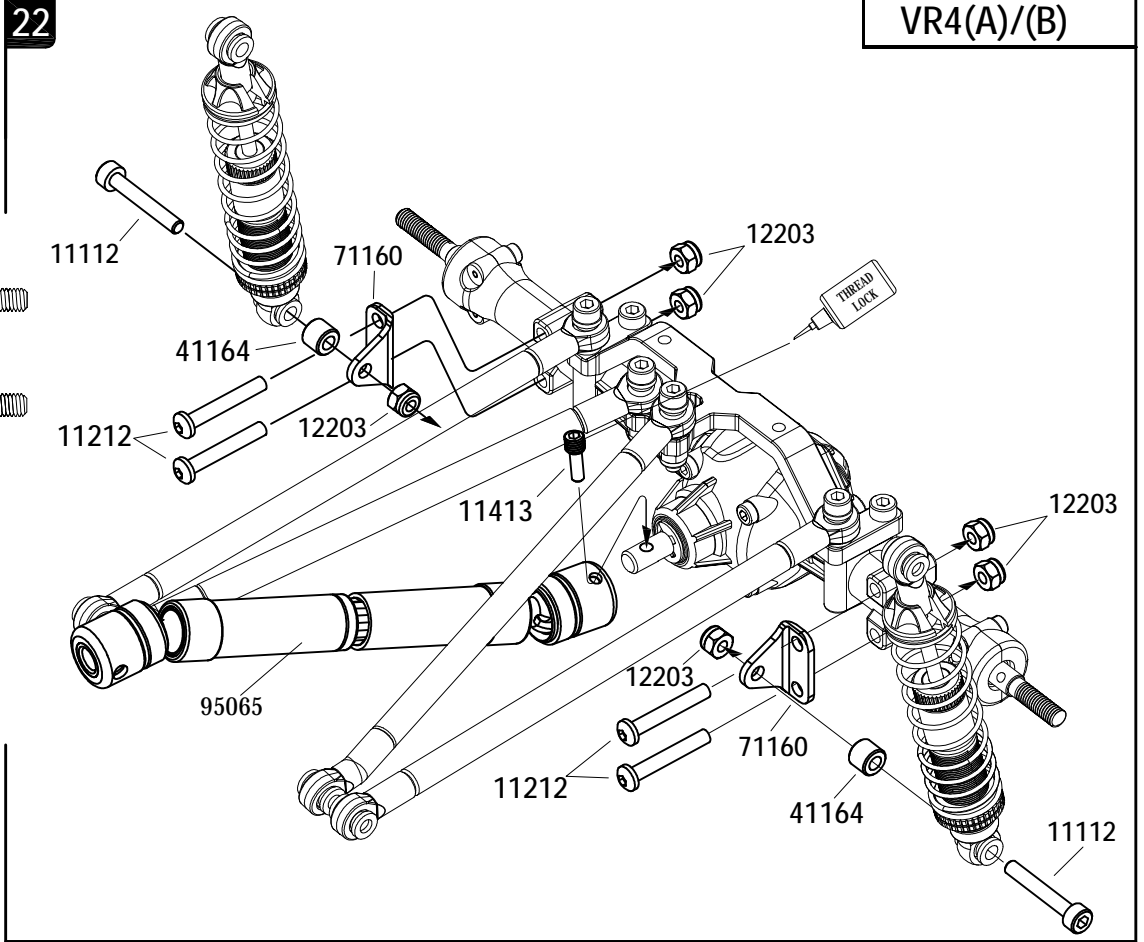
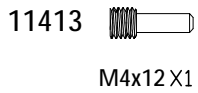


BAG(S)

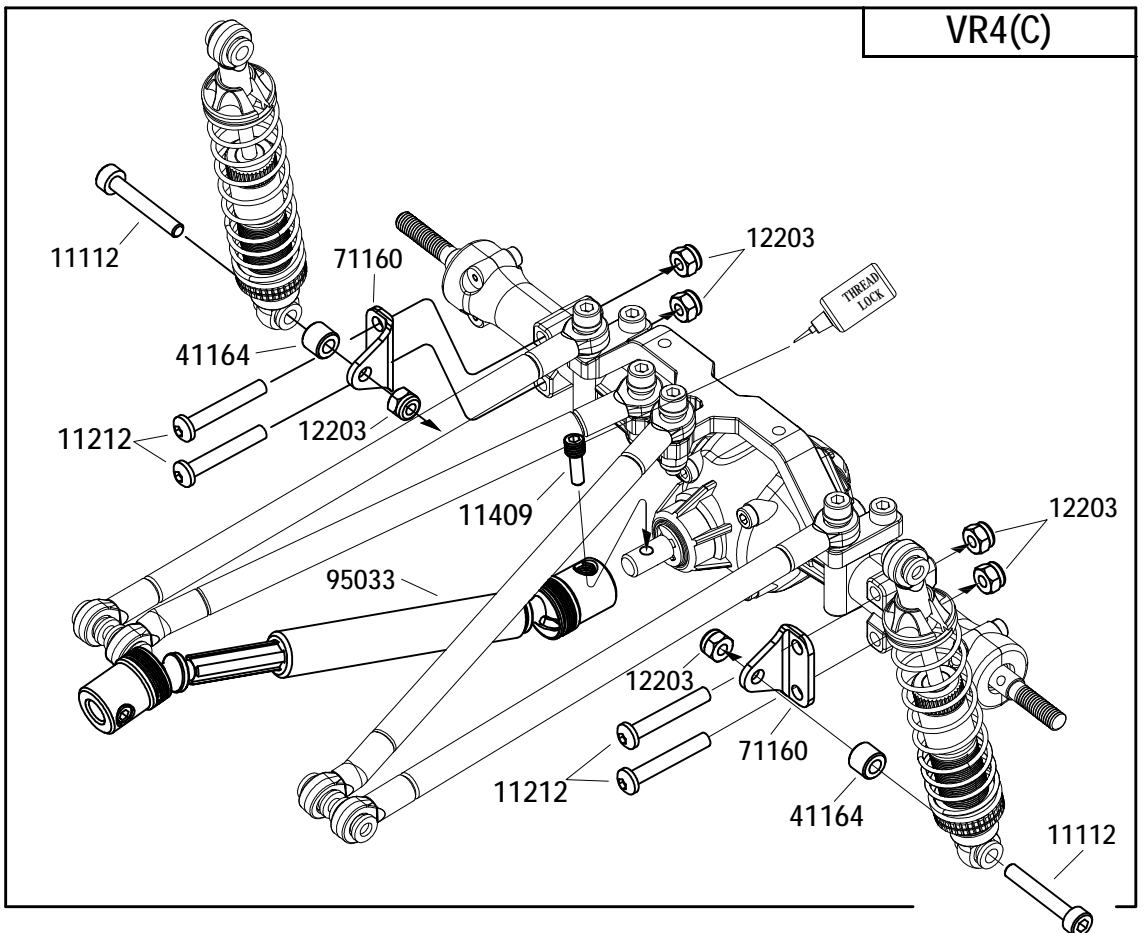
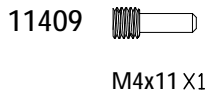


41164 X2

BAG(GG)




BAG(G)





23

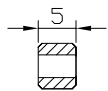
VR4(A)/(B)/(C)

BAG(S)

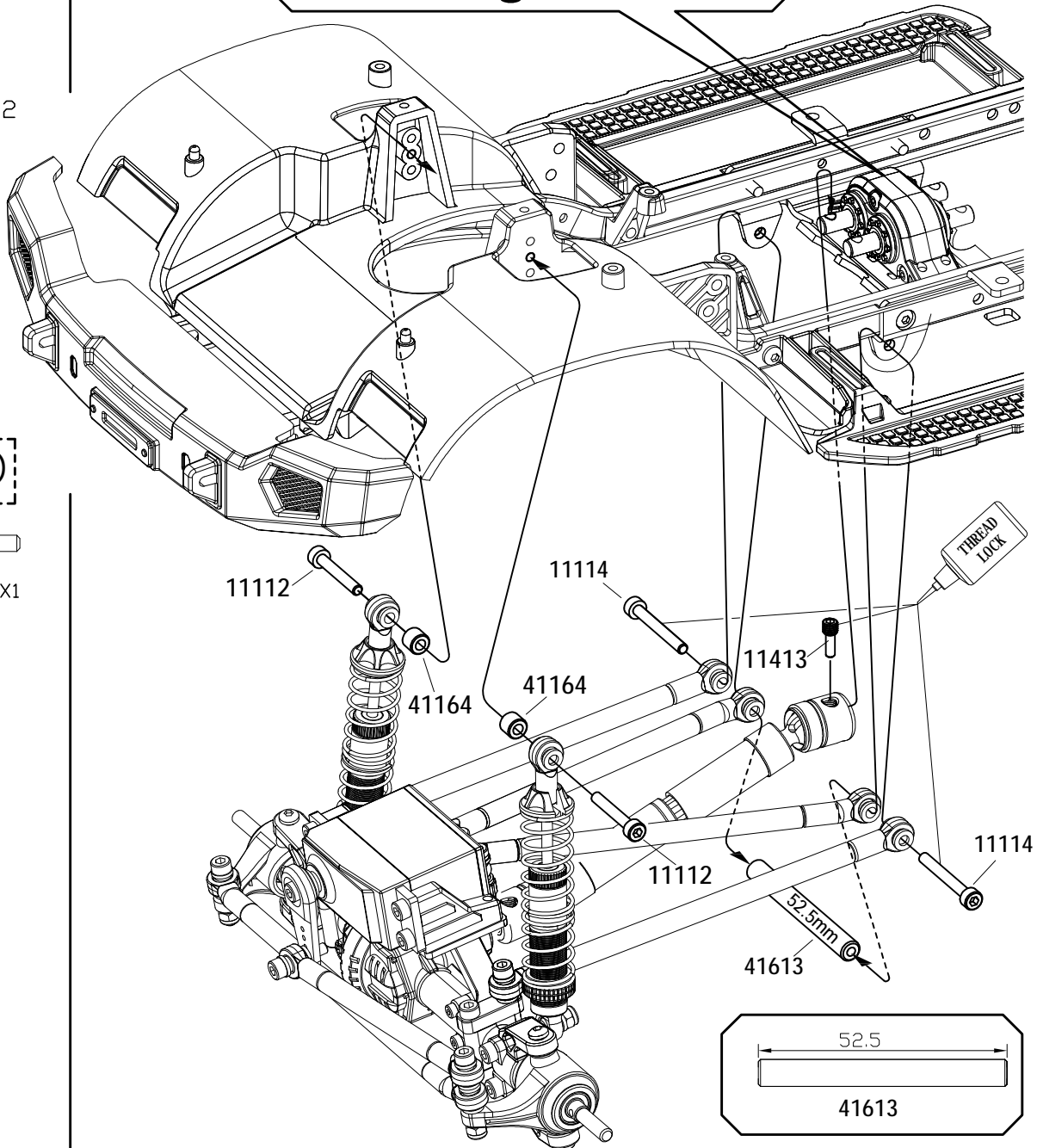
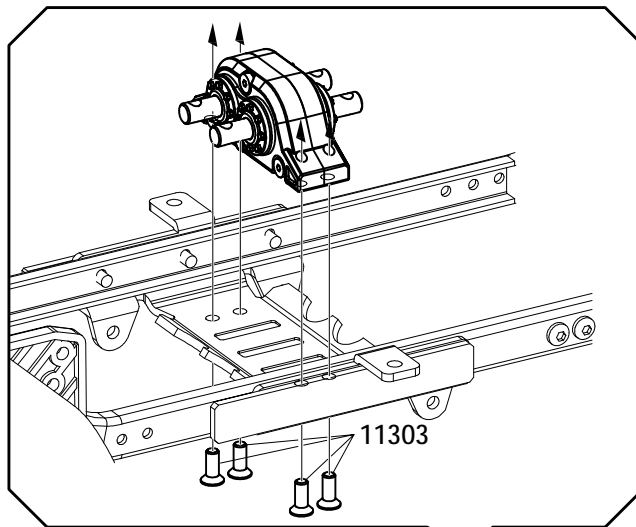
11303  M3x8 X4

11112  M3x20 X2

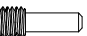
11114  M3x25 X2



41164 X2

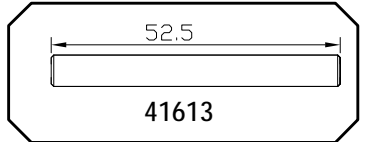


BAG(GG)

11413  M4x12 X1



THREAD LOCK

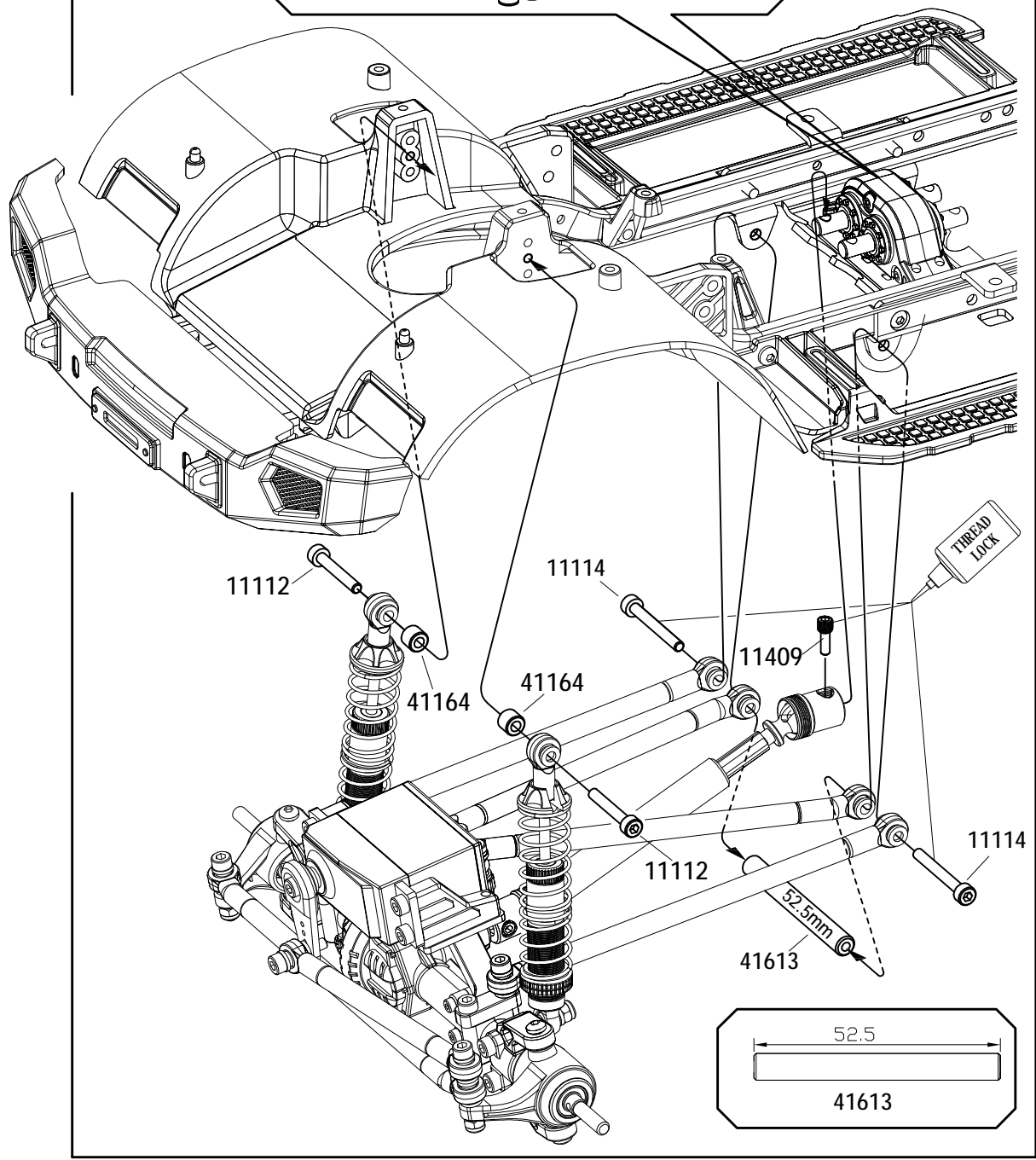
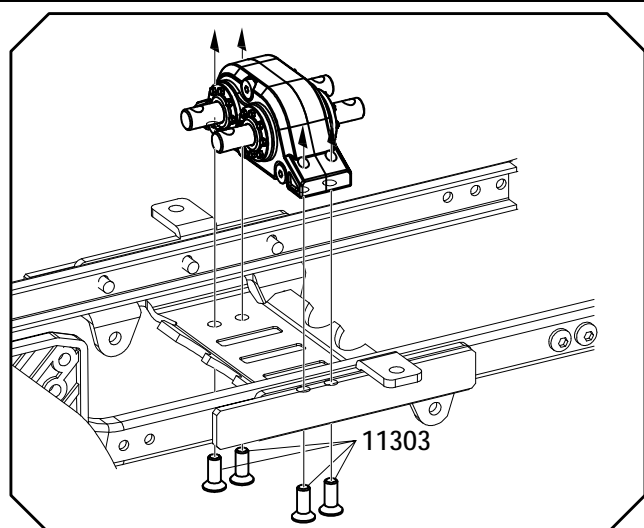


VR4(C)

BAG(G)

11409 


M4x11 X1

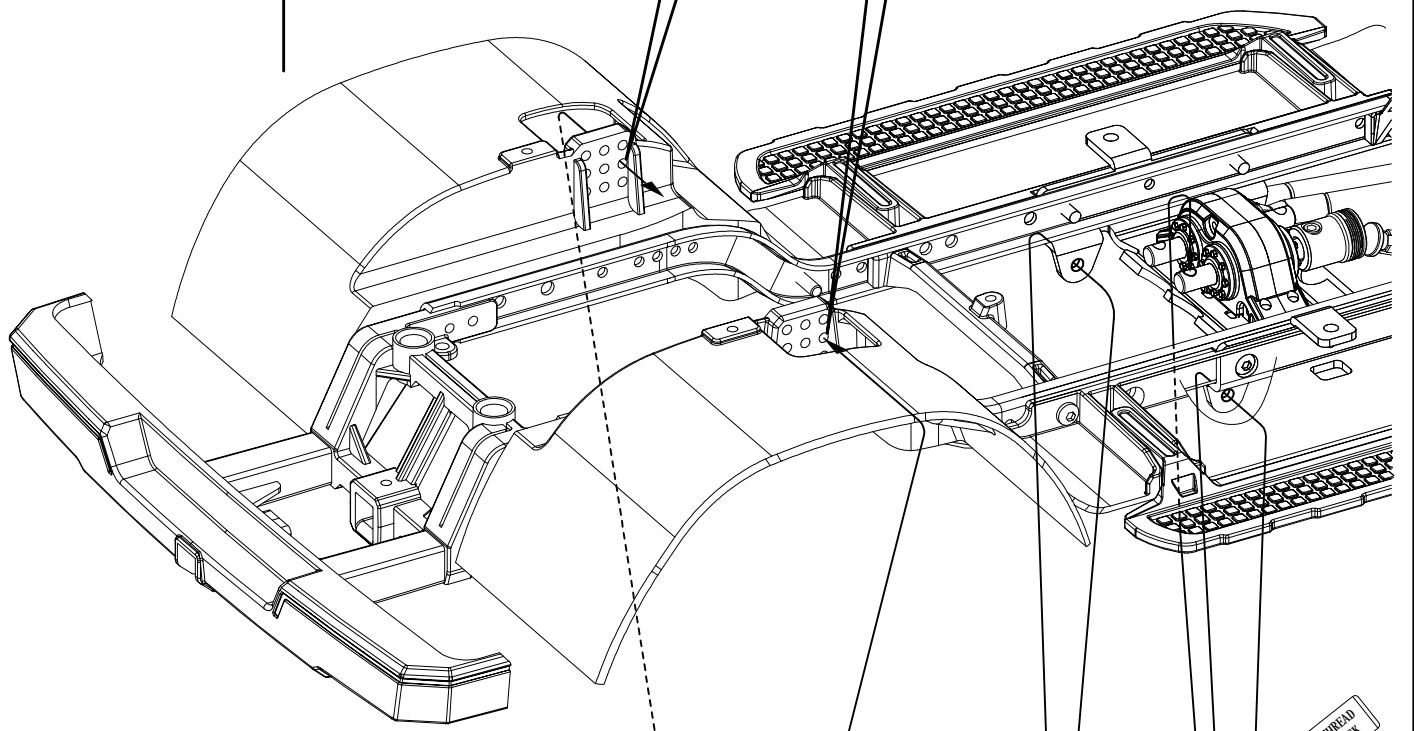
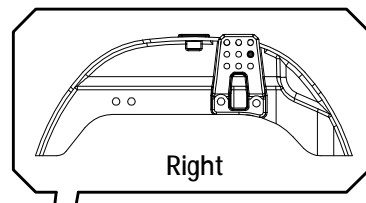
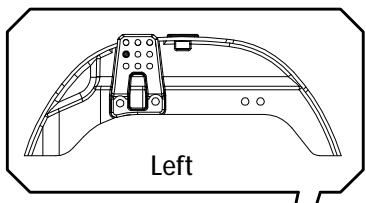



24


VR4(A)/(B)

BAG(S)


11109 
M3x14 X2



11114 
M3x25 X2

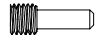
11109 

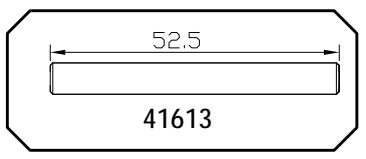
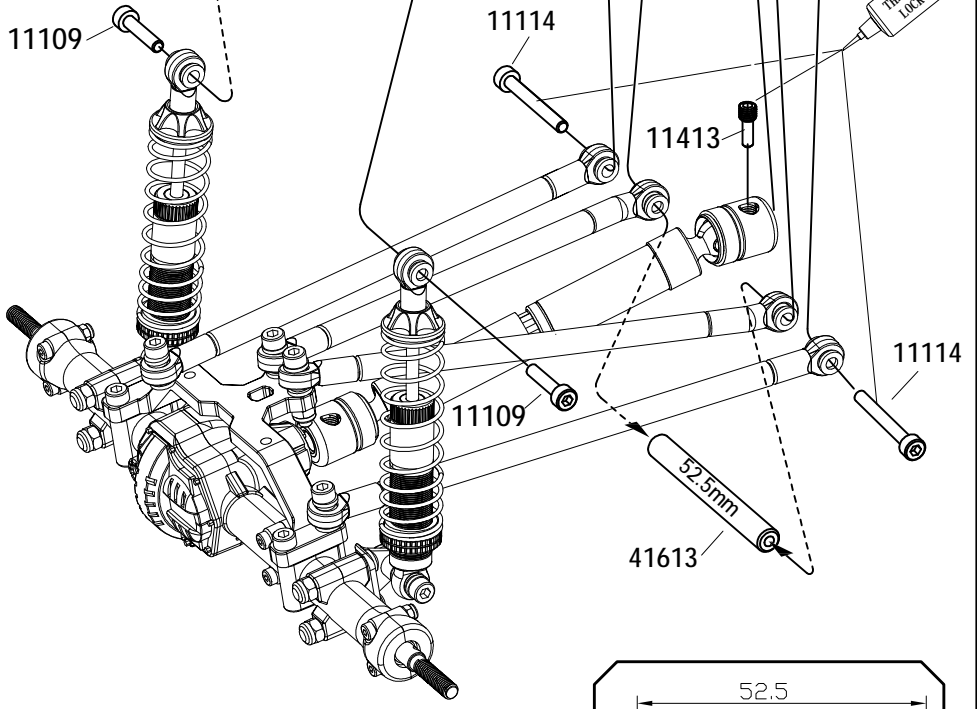
11114 

11413 

THREAD LOCK

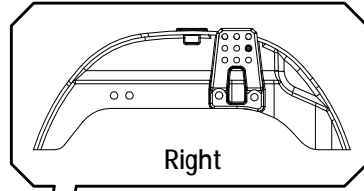
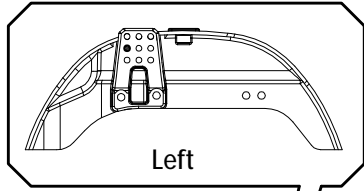
BAG(GG)


11413 
M4x12 X1

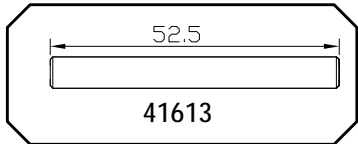
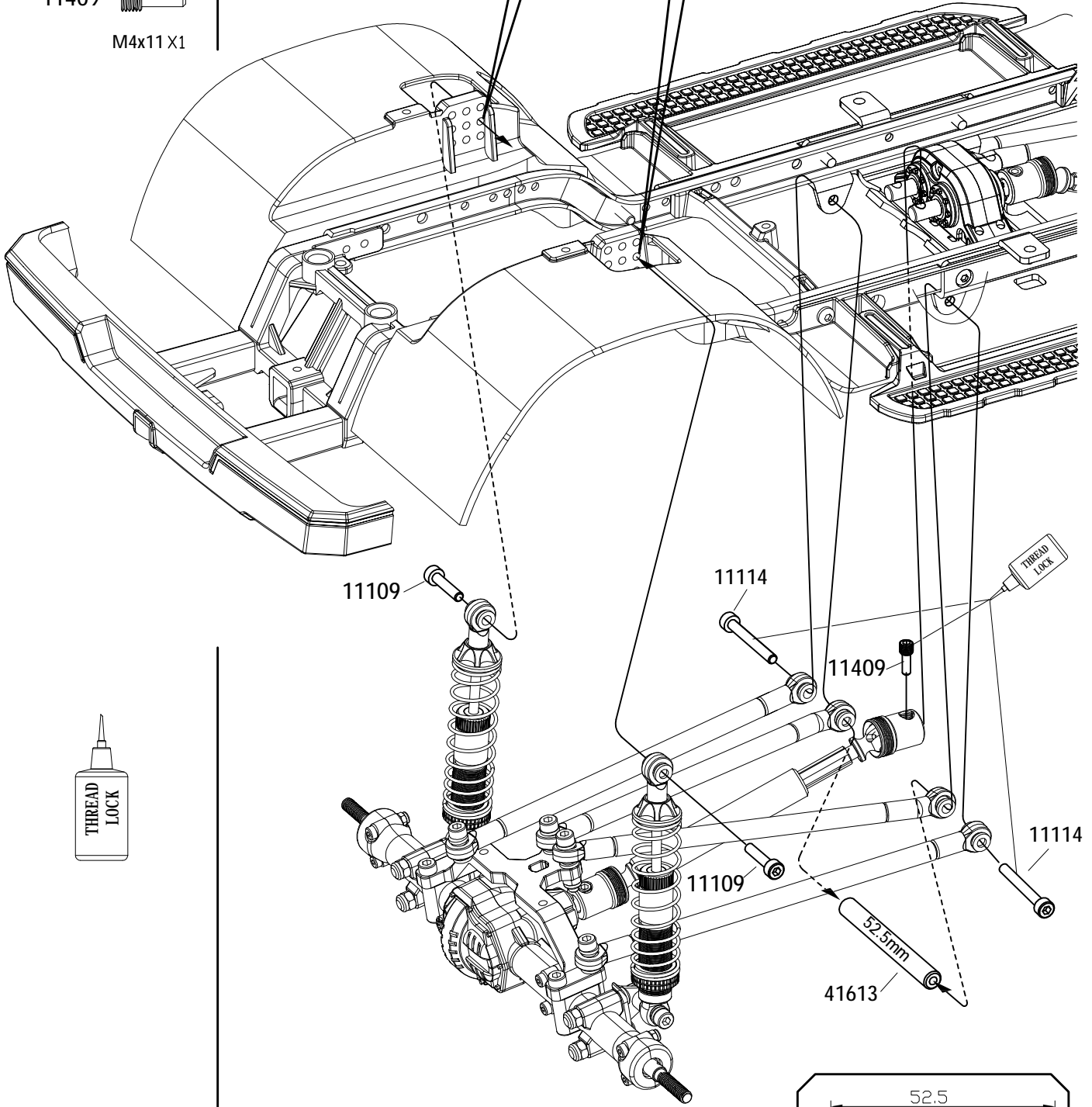


VR4(C)

BAG(G)



11409 
M4x11 X1

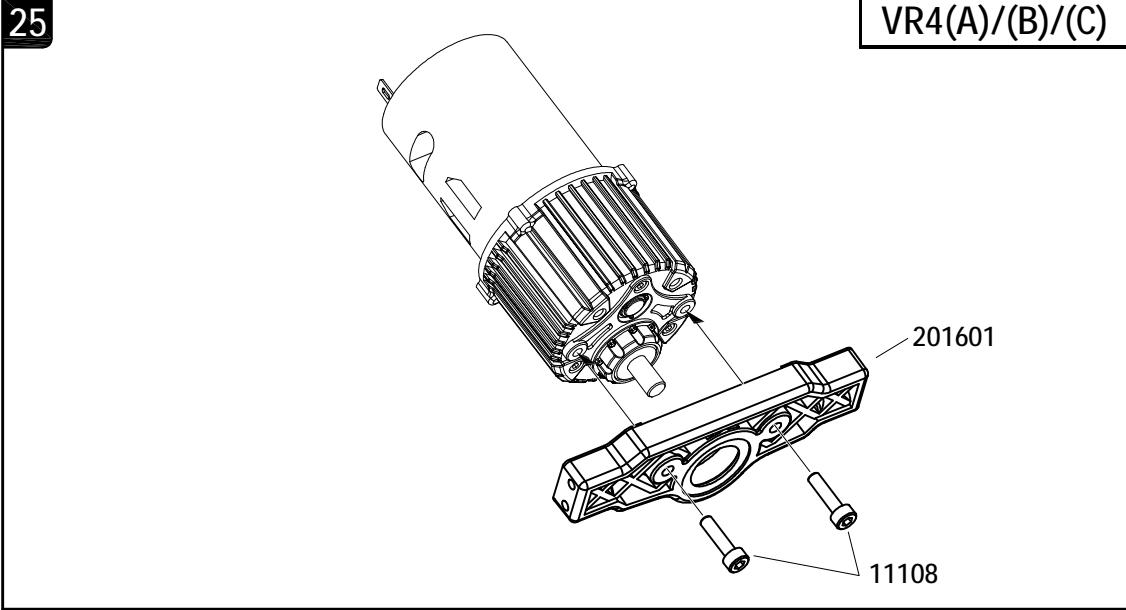


BAG(S)

25


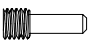
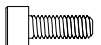
VR4(A)/(B)/(C)

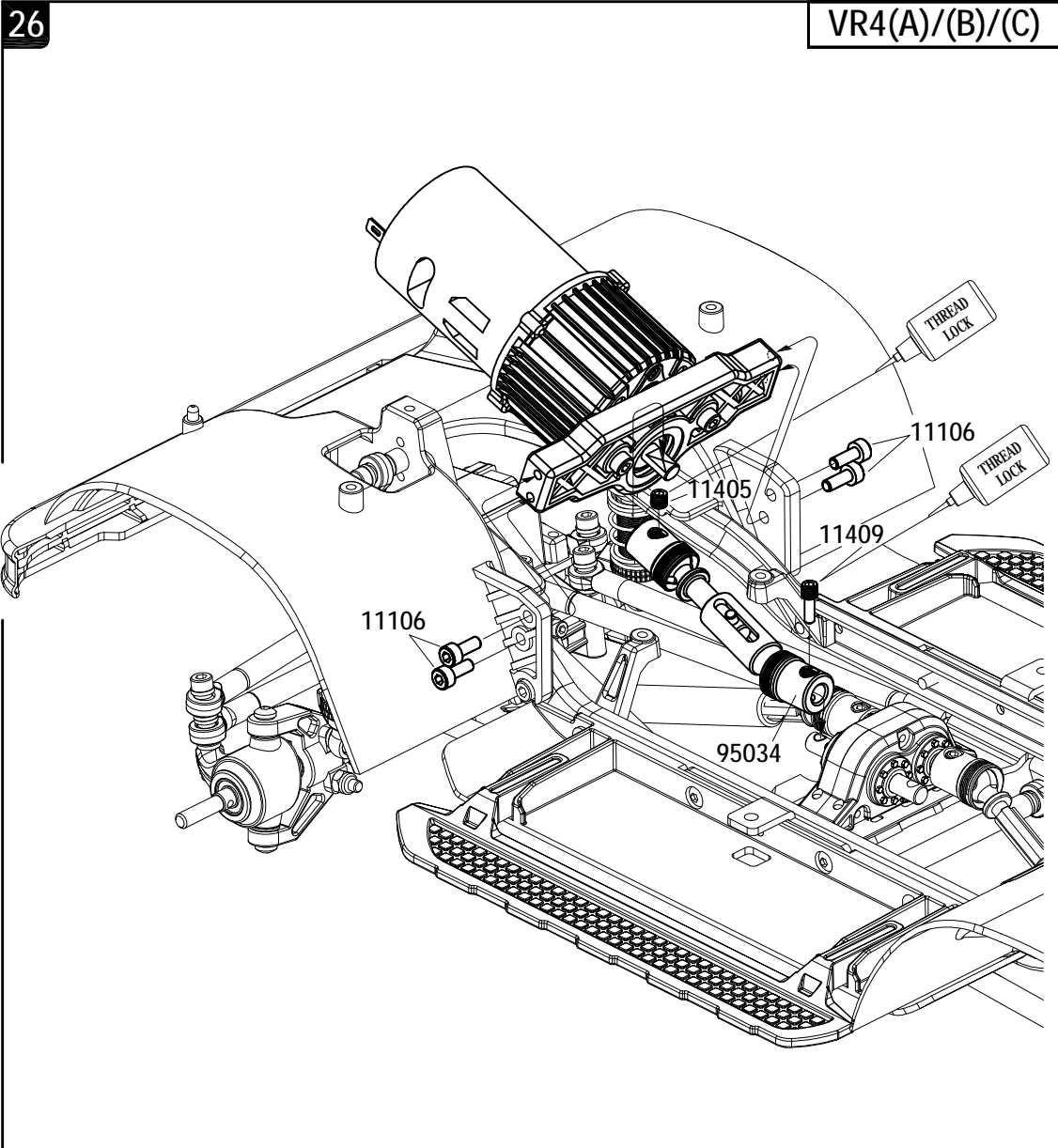
- 11108  M3x12 X2





26

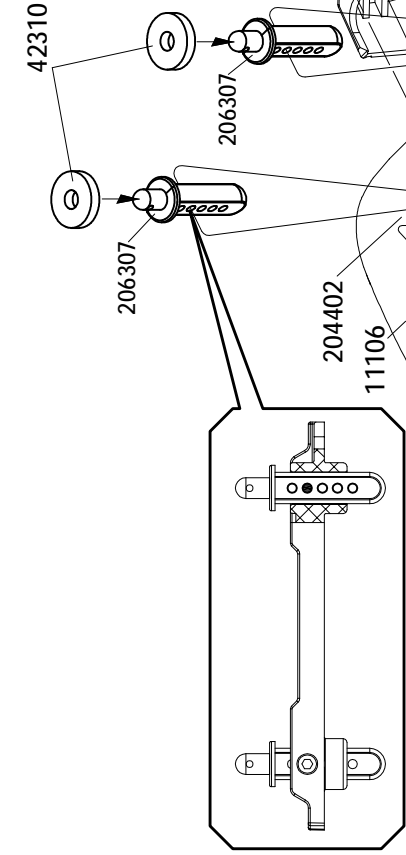
VR4(A)/(B)/(C)


- 11405  M4x4 X1
- 11409  M4x11 X1
- 11106  M3x8 X4




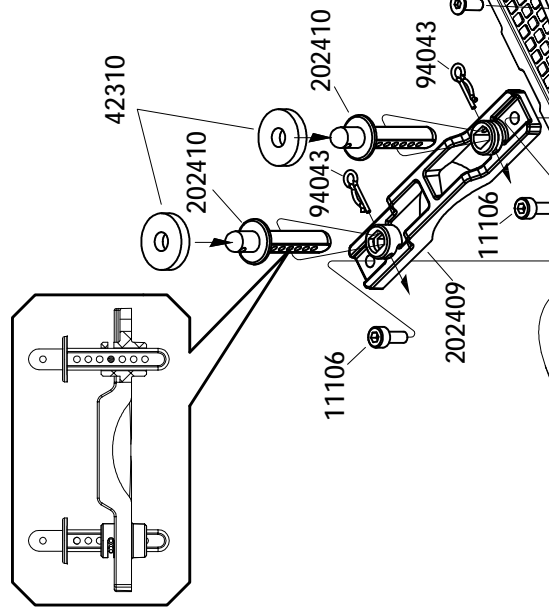
BAG(S)

- 11106  M3x8 X4
- 11303  M3x8 X3

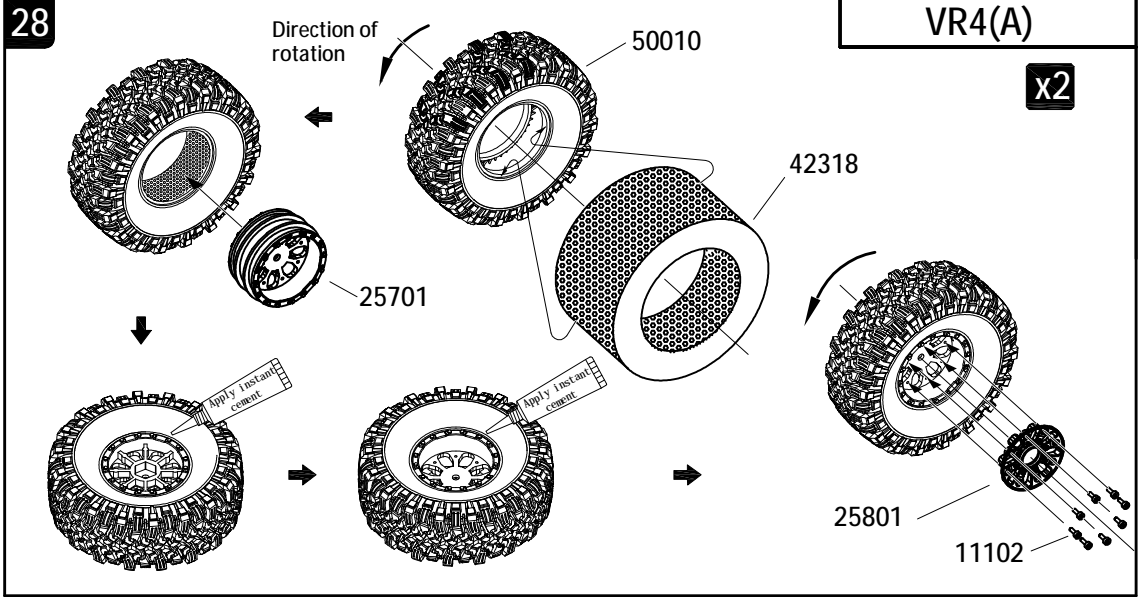


- 11109  M3x14 X2

-  94043 x2



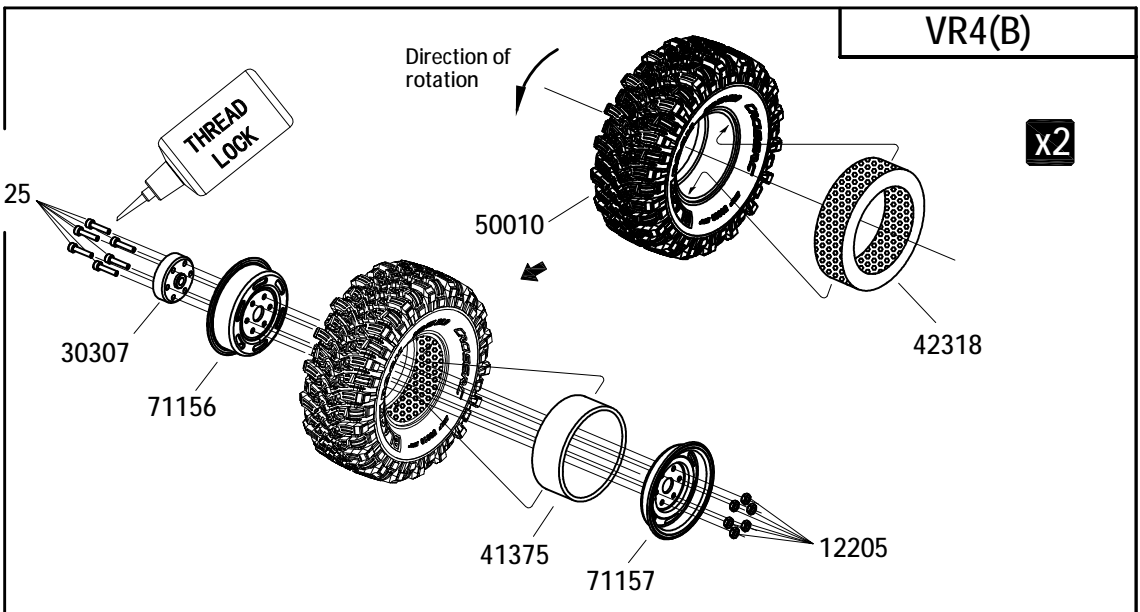
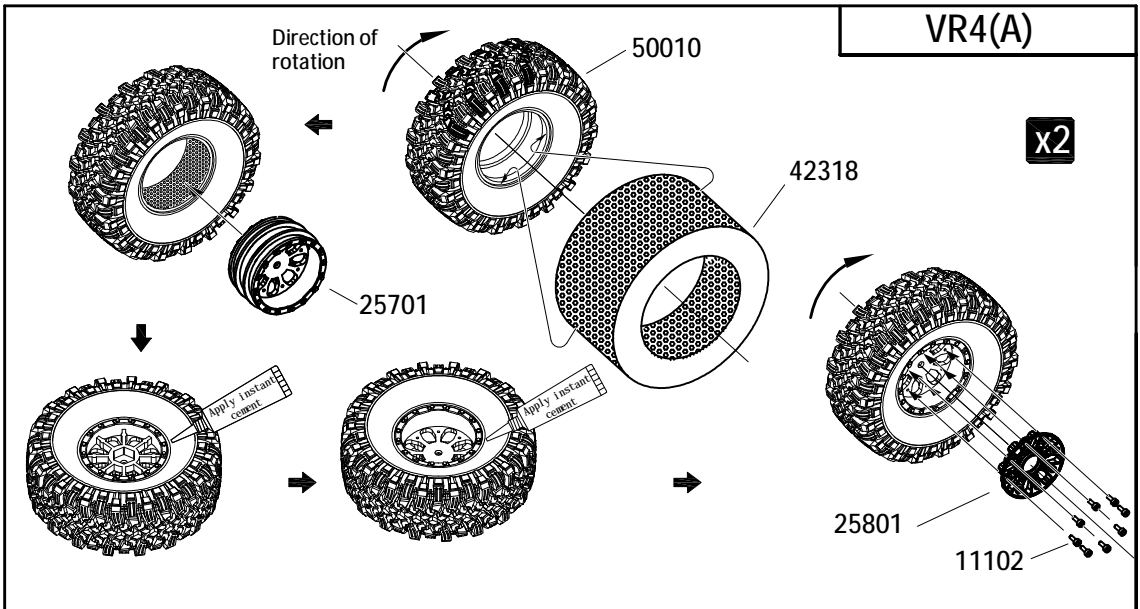
BAG(A)



11102 M2x6 X16



11102 M2x6 X16

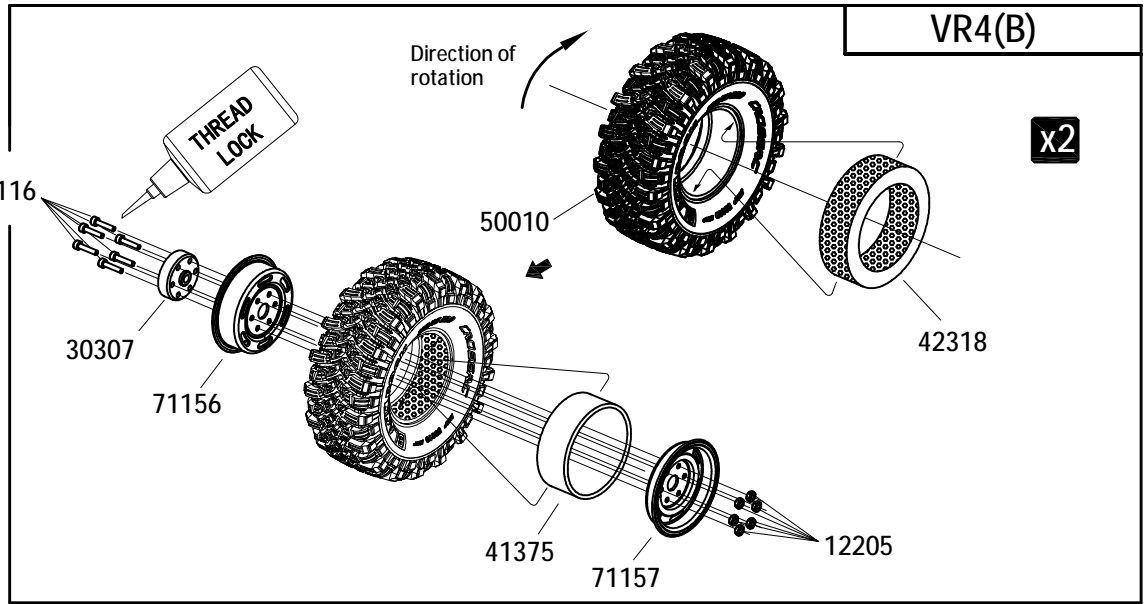


11125 M2.5x10 X12

12105 M2.5 X12

VR4(B)

x2



BAG(A)

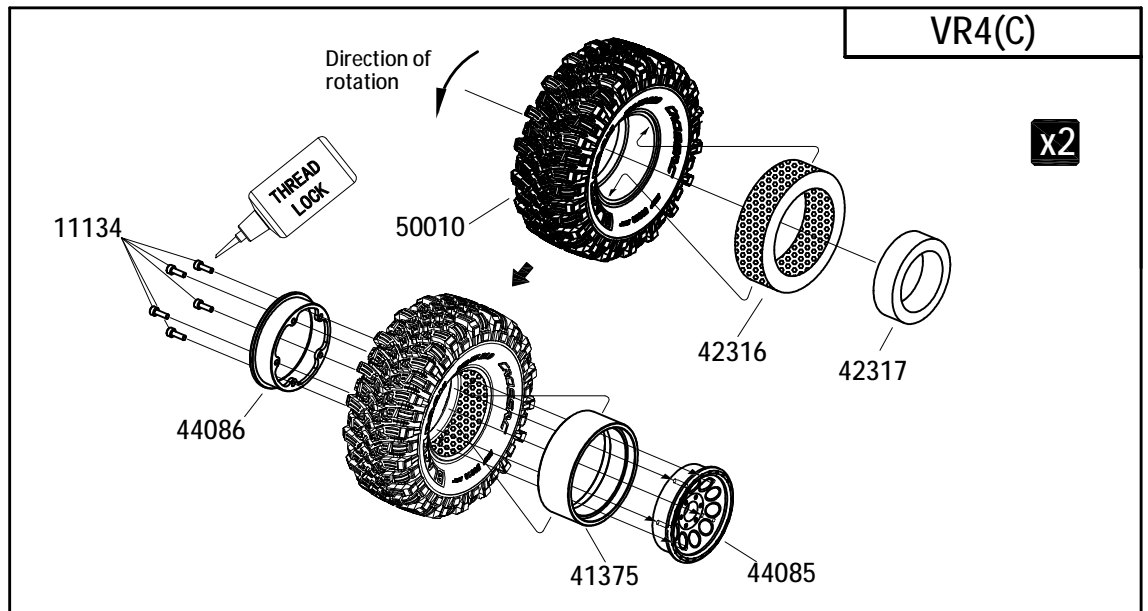
11125 M2.5x10 X12

12105 M2.5 X12



VR4(C)

x2

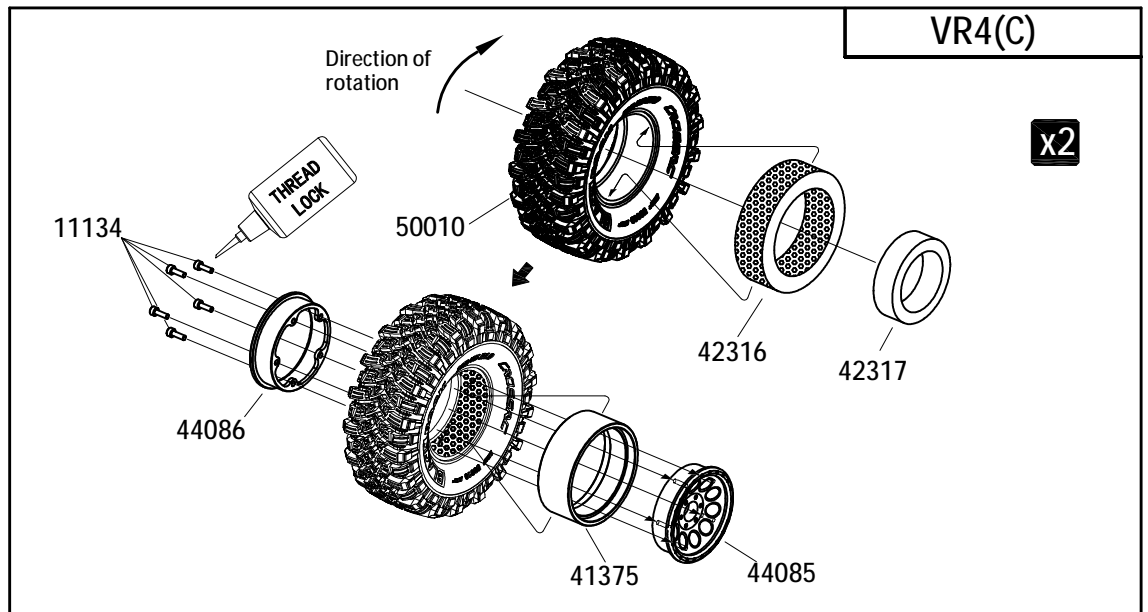


11134 M2.5x8 X10



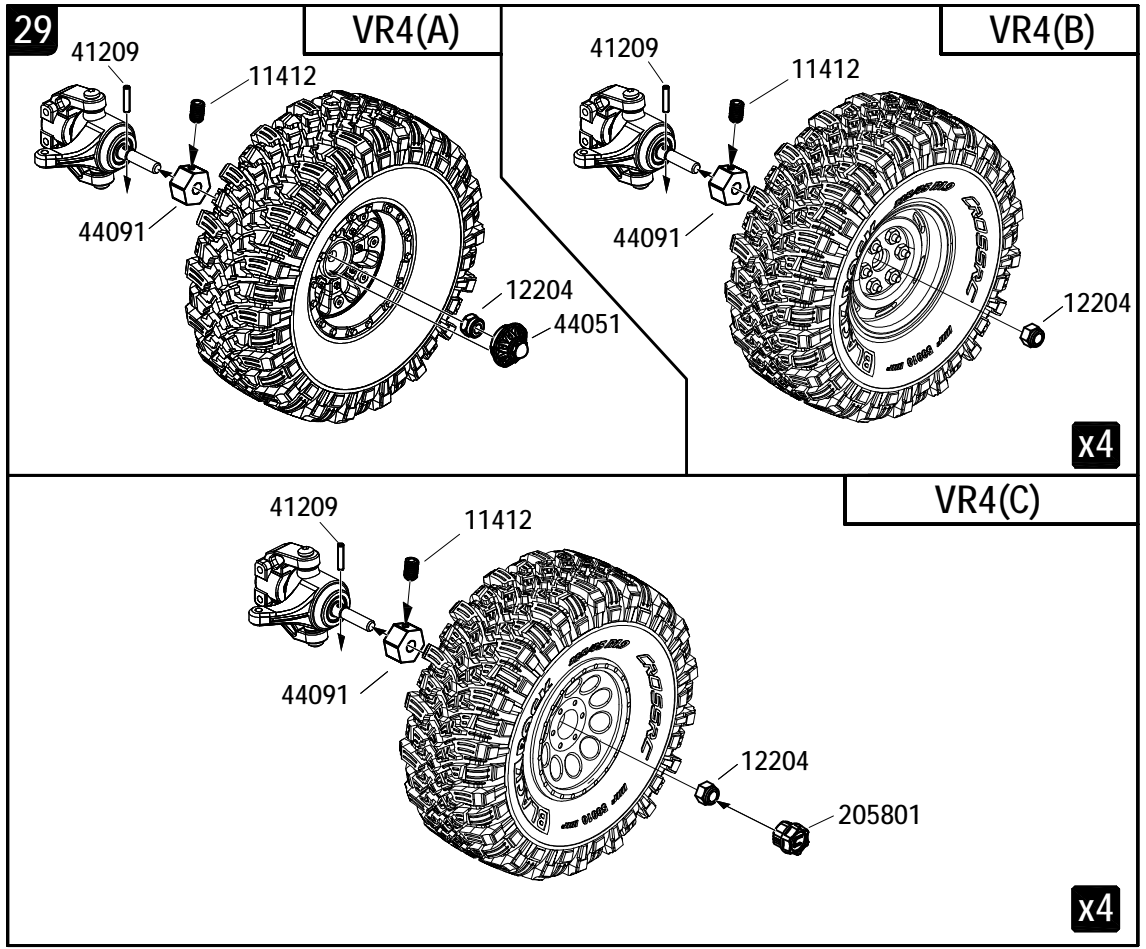
VR4(C)

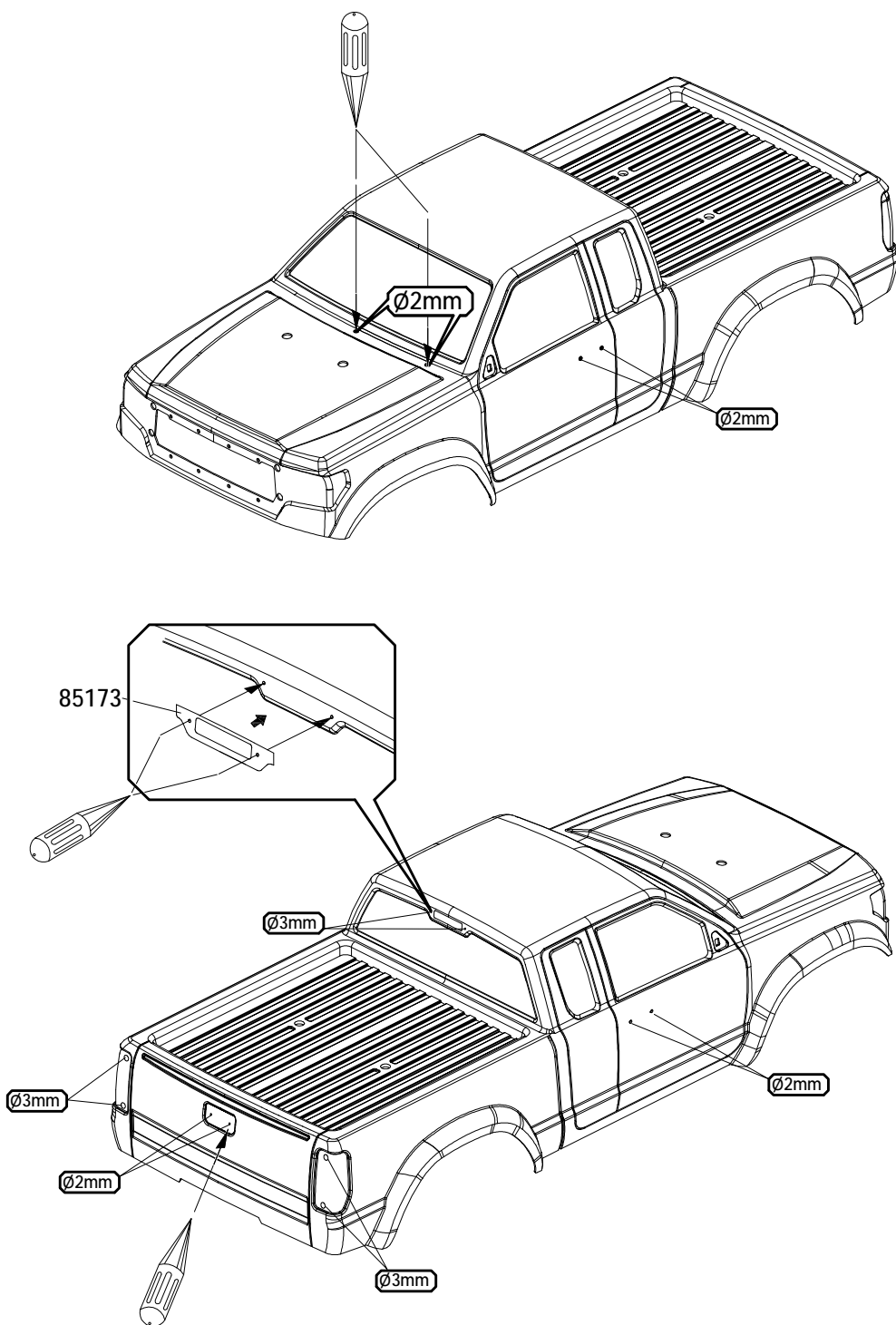
x2



11134 M2.5x8 X10





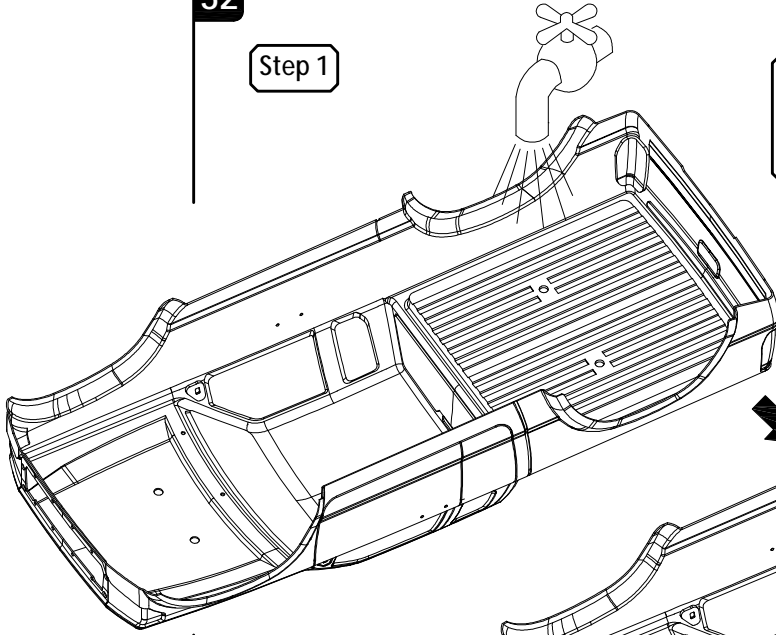


32

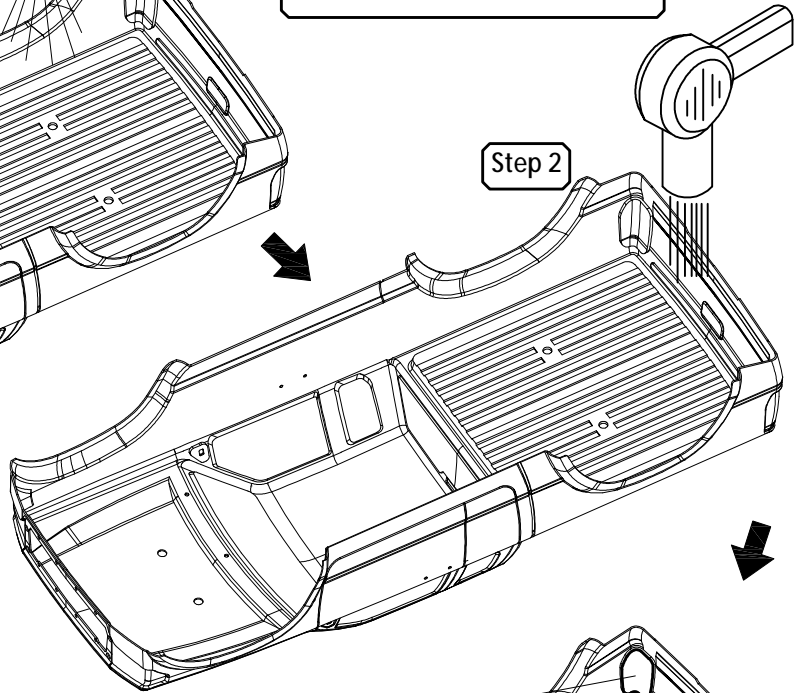
VR4(A)/(B)/(C)

Step 1

Wash the inside of the body shell with mild detergent, then rinse and dry thoroughly.



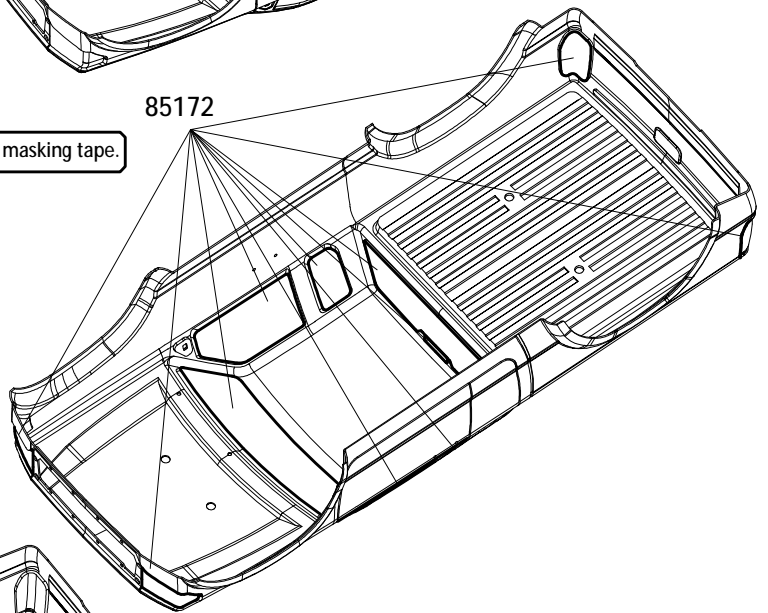
Step 2



Step 3

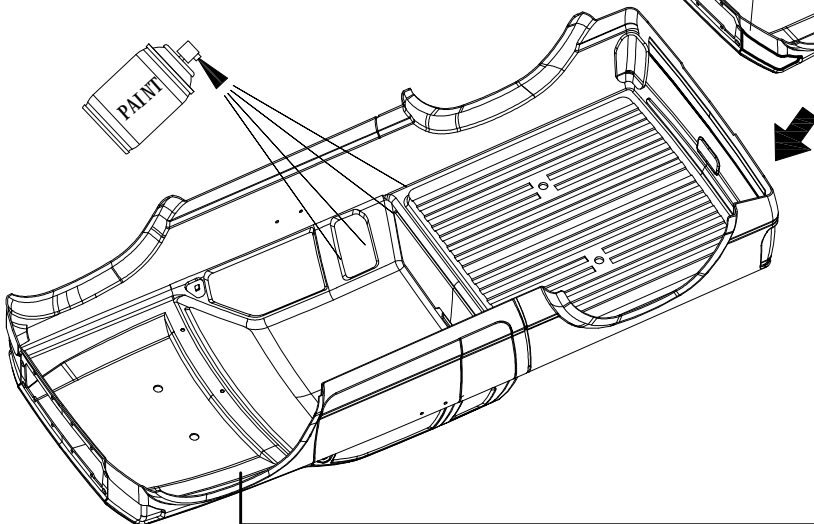
Mask the windows on the inside with masking tape.

85172



Step 4

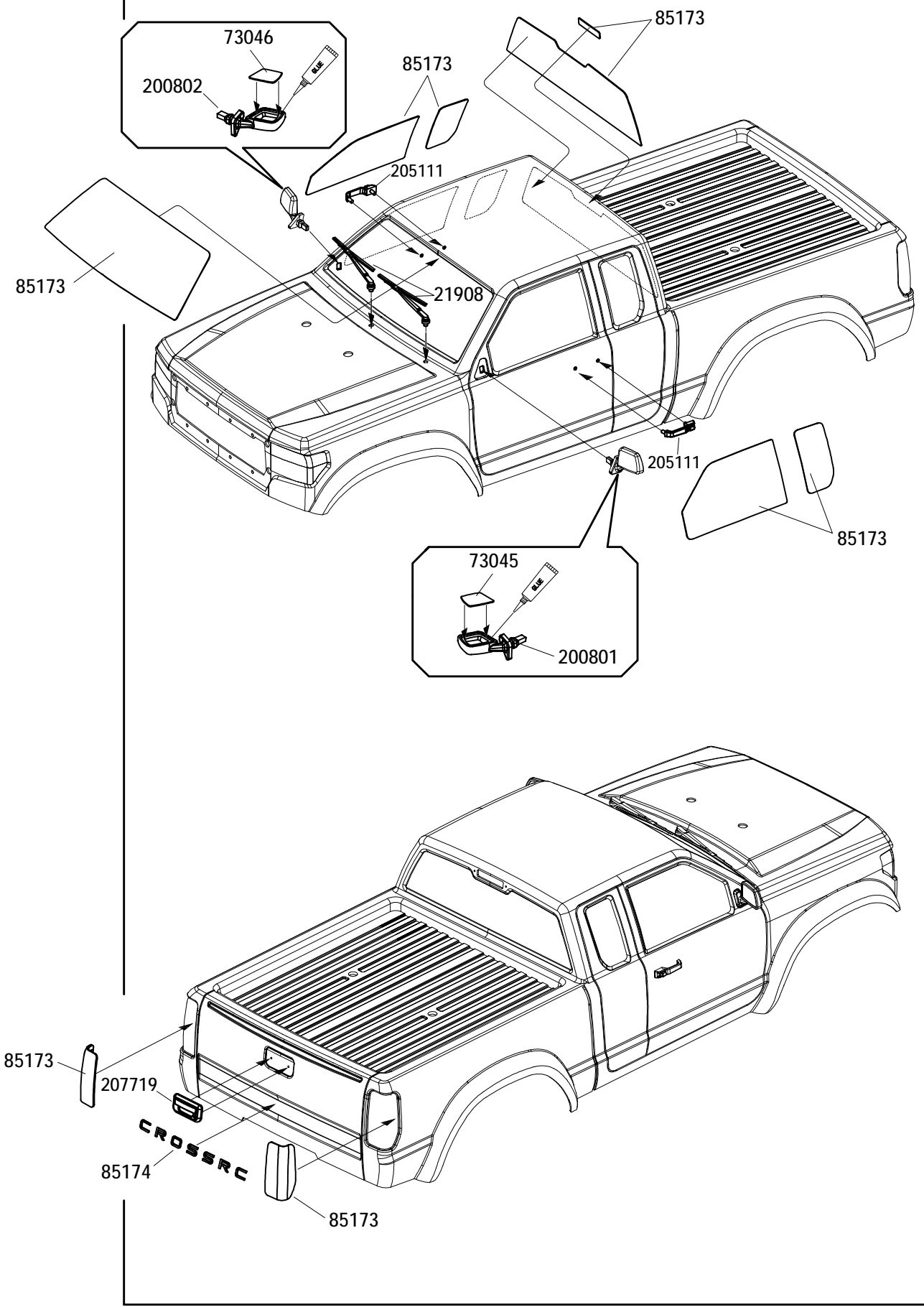
Paint the body with polycarbonate spray paints.



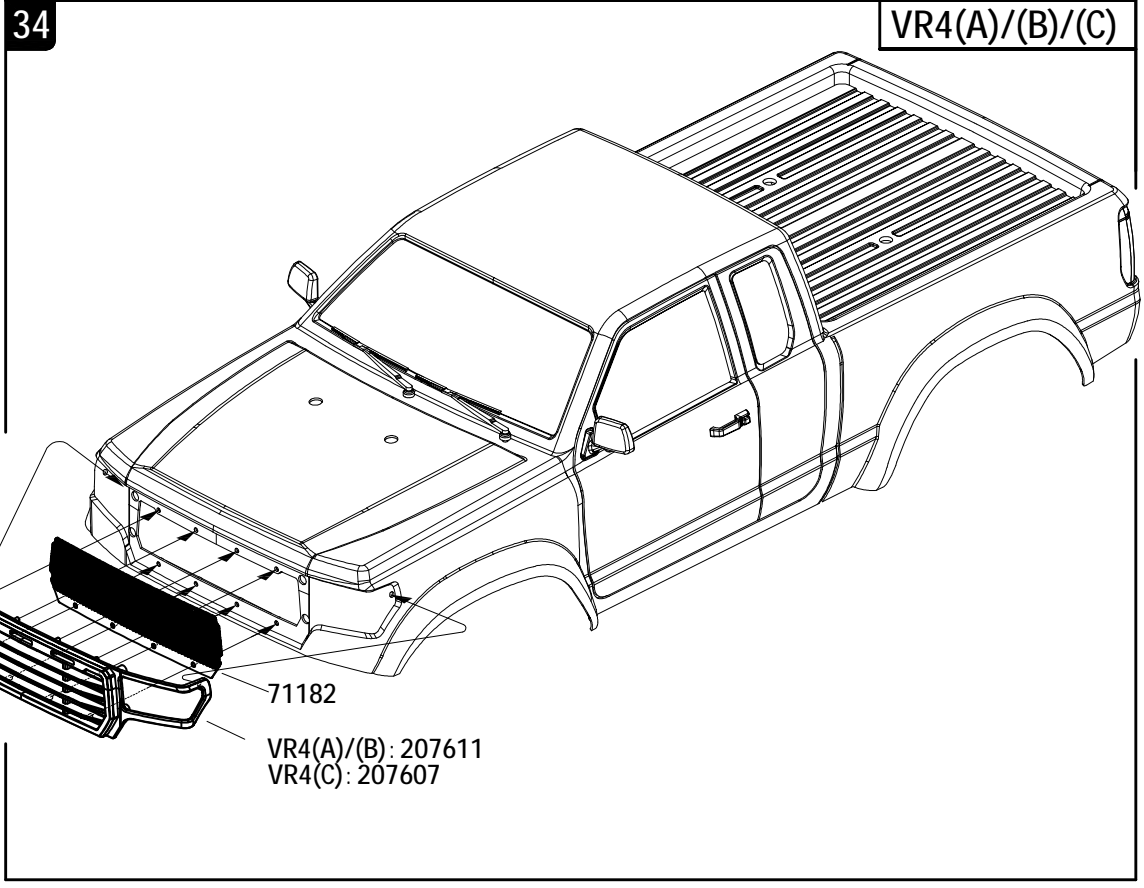
* When the paint is dry, remove the masking.
* When you have finished painting, peel off the external protective films.


33

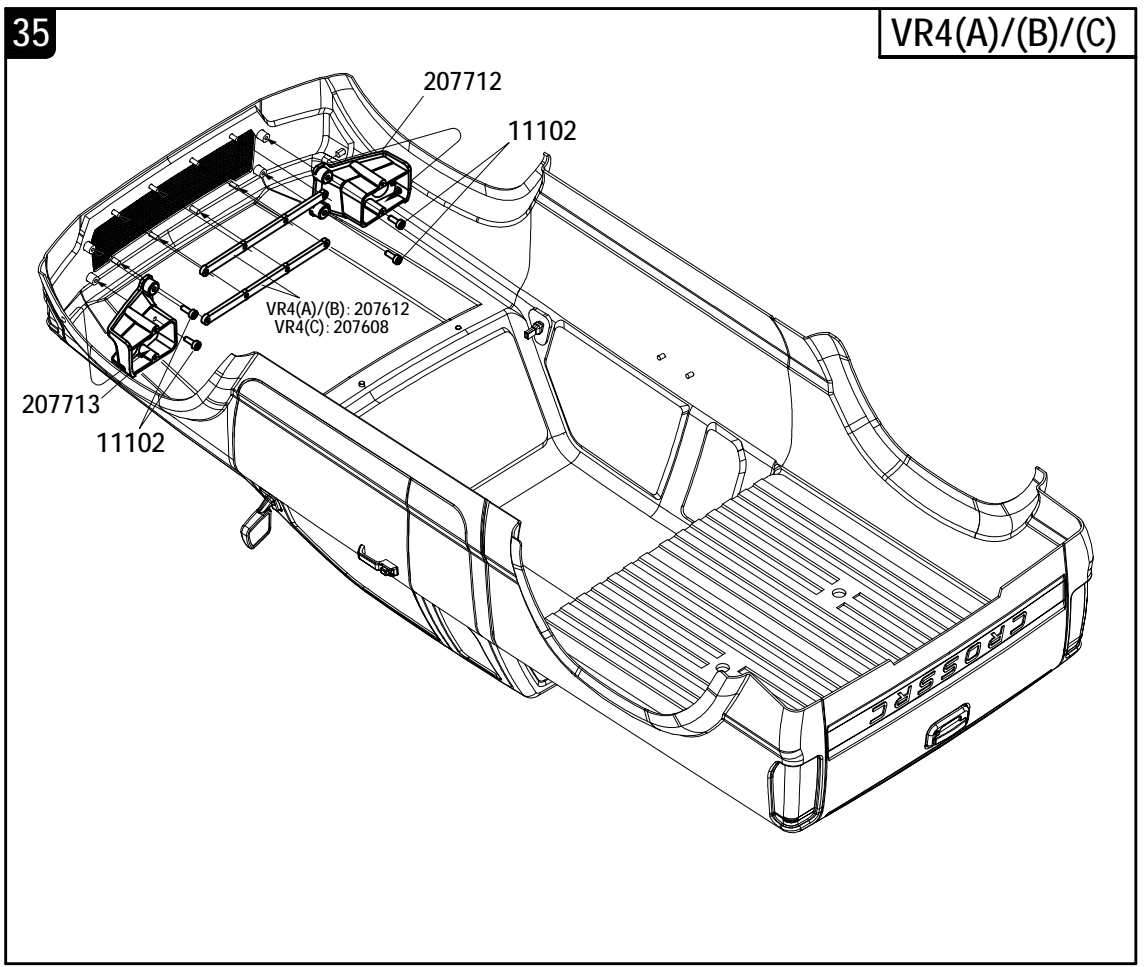
VR4(A)/(B)/(C)



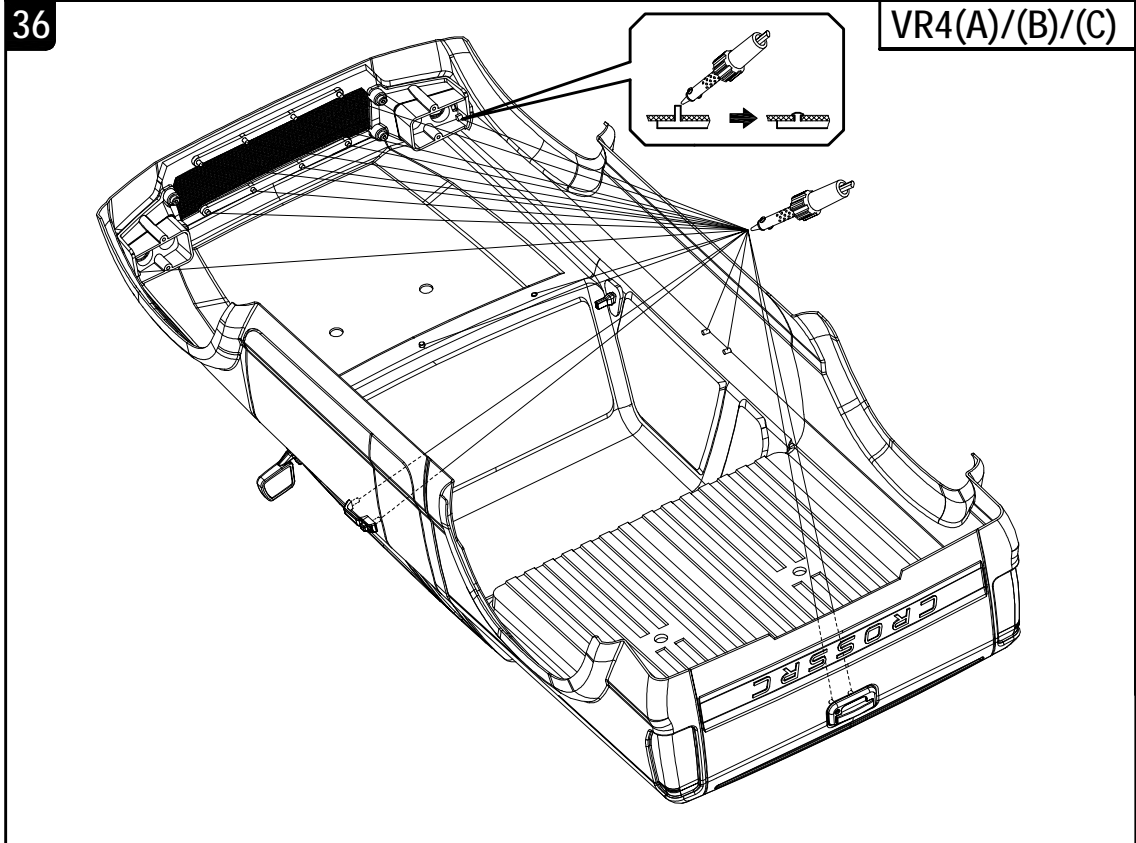
BAG(S)




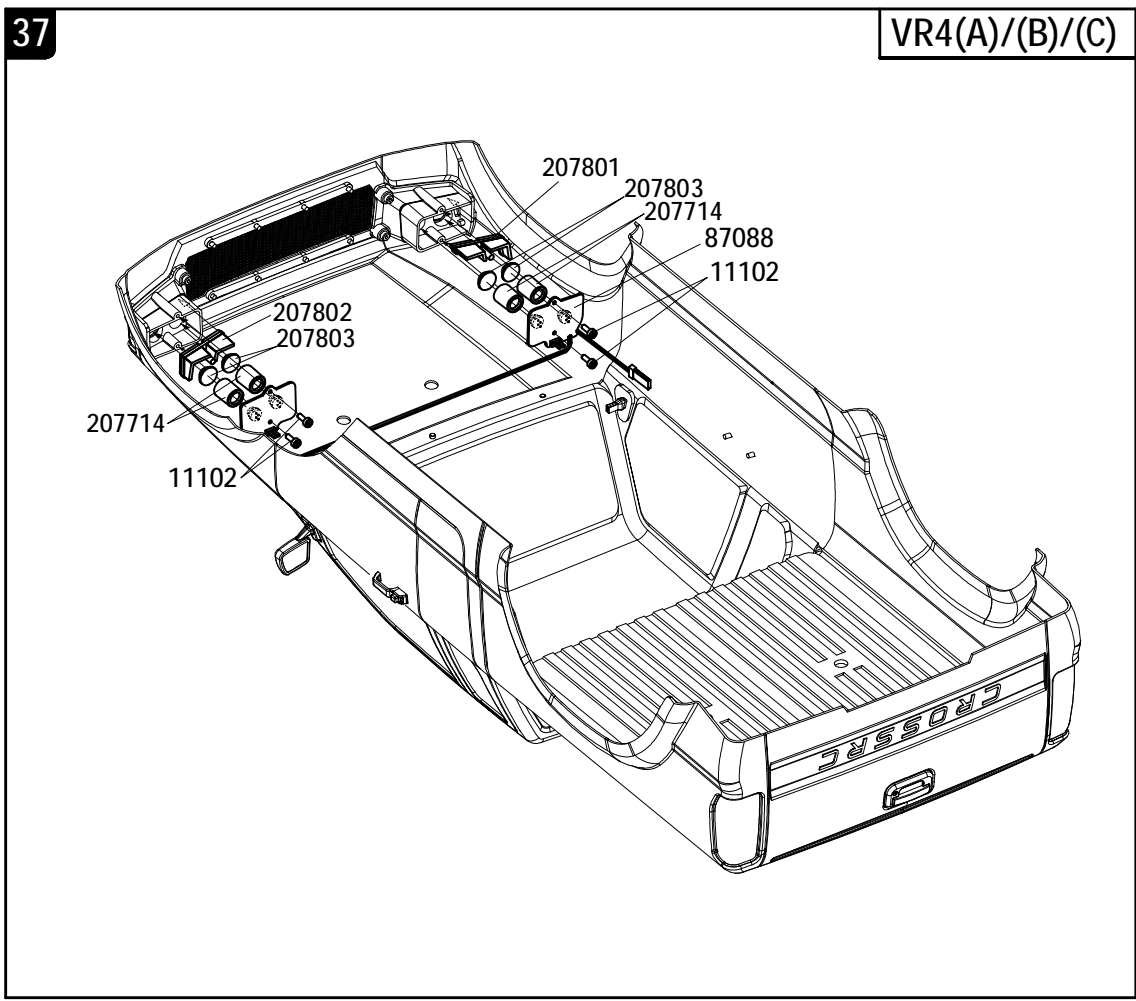
11102 
M2x6 X4




BAG(S)

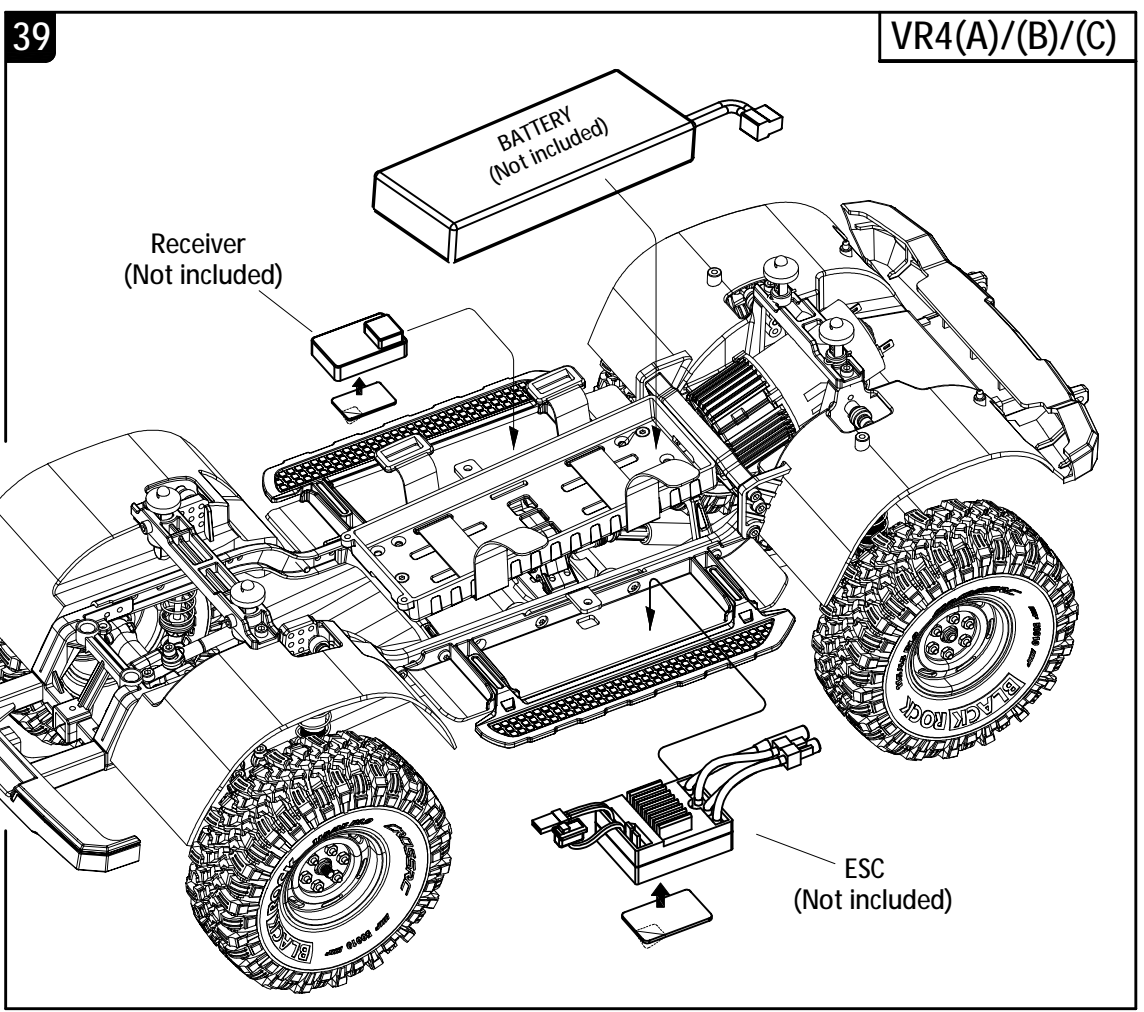
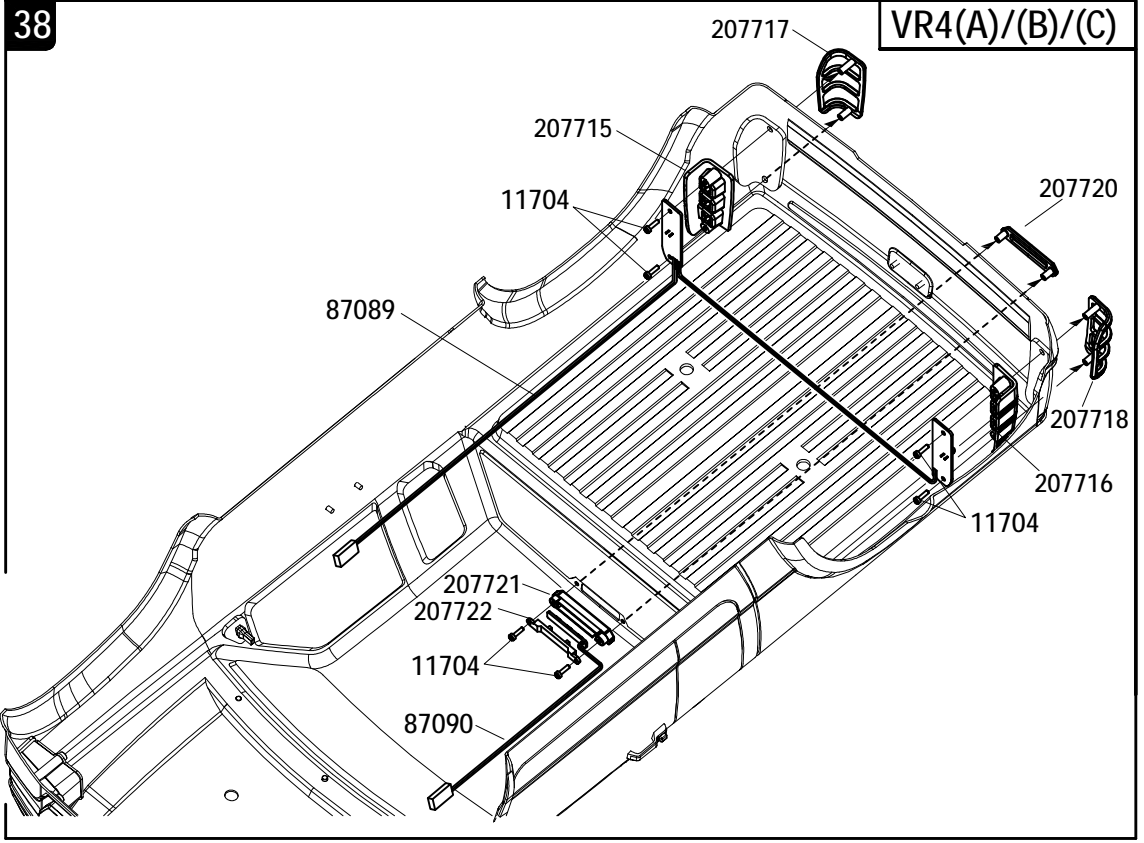


11102 
M2x6 X4




BAG(S)

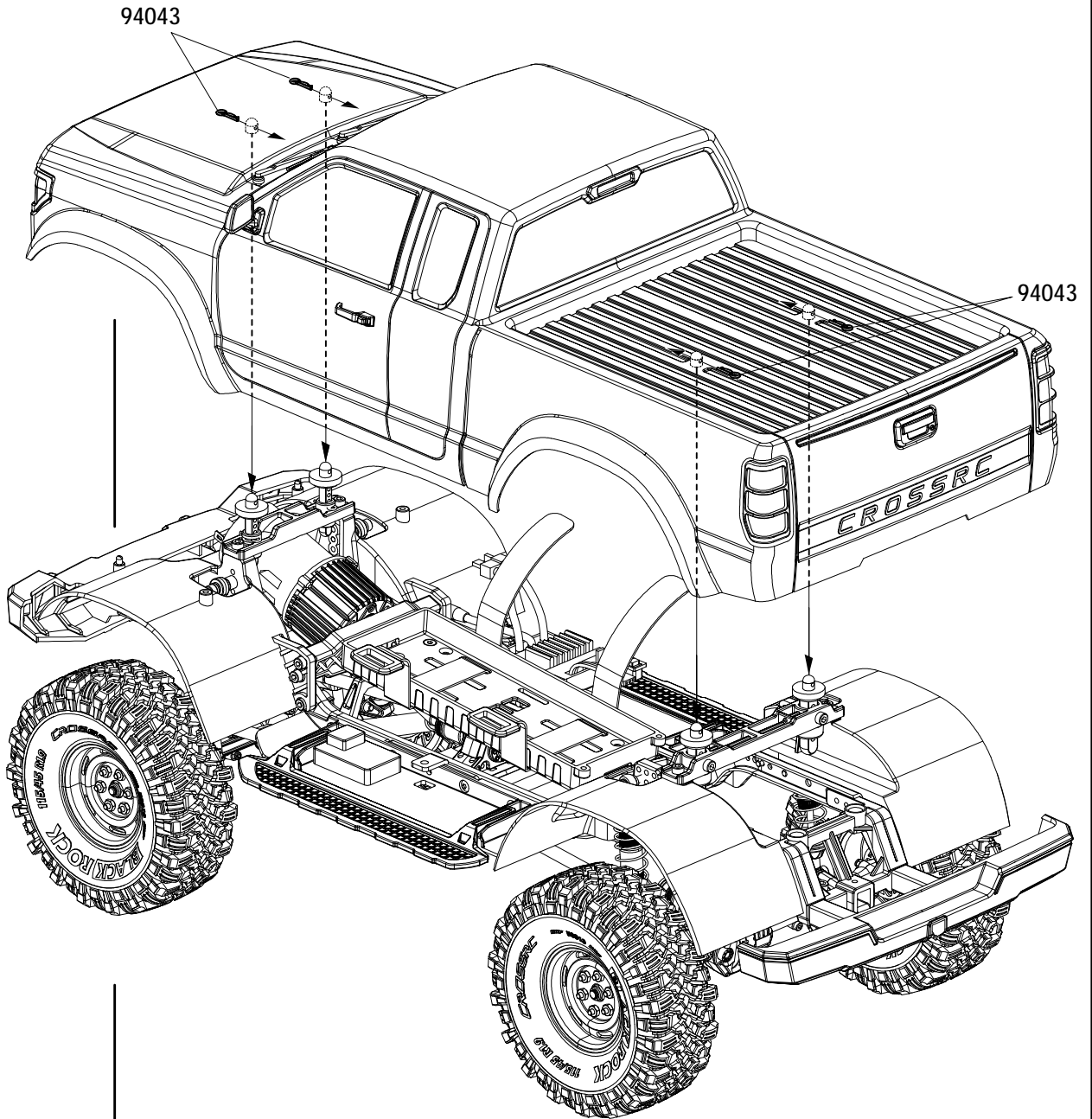
11704 
M1.6x6 X6

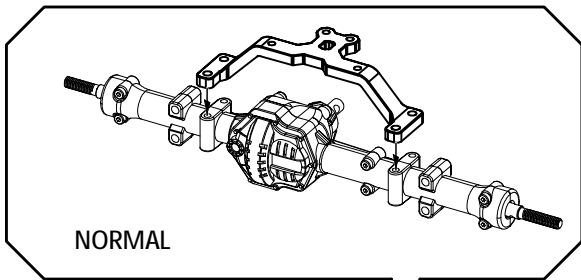


40

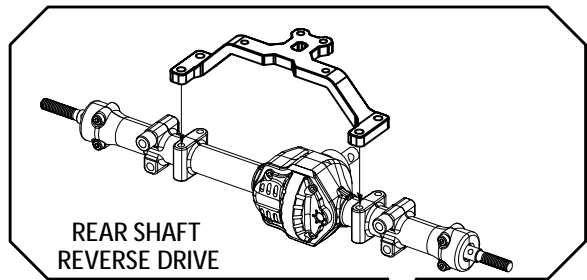
VR4(A)/(B)/(C)


94043 x 4

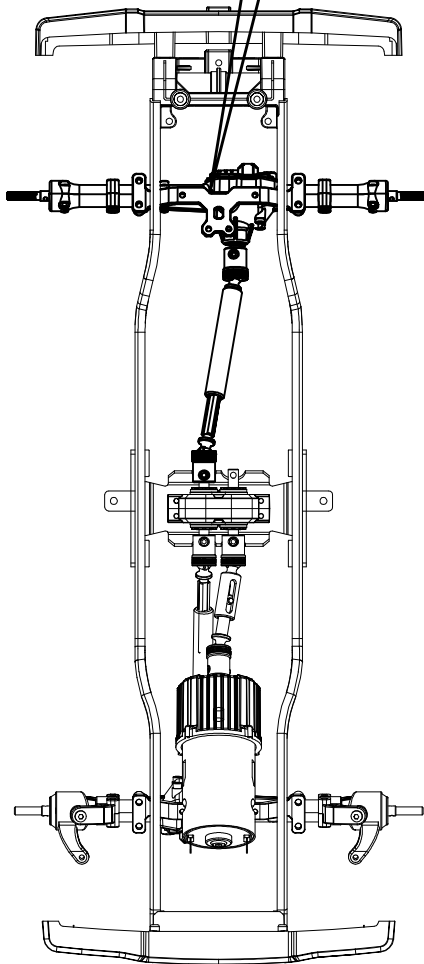




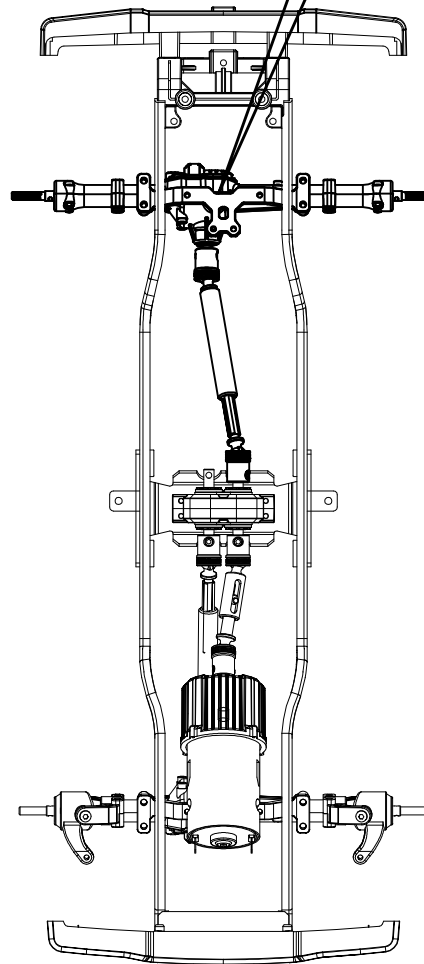
NORMAL



REAR SHAFT
REVERSE DRIVE



NORMAL



REAR SHAFT
REVERSE DRIVE