

# UC6

**1/12 SCALE 6X6  
OFF ROAD TRUCK R/C MODEL**

**USER'S MANUAL**



**CROSSRC**

**CAUTIONS**



To prevent serious personal injury and/or property damage, operate all remotely controlled models in a responsible manner as outlined herein.

**● Safety Precautions**

- 1.1 Choose a right place to operate your RC model.
- 1.2 Do not operate your RC model on the street or highway. It can cause a serious damage or a serious accident.
- 1.3 Never operate your RC model near people or animals.
- 1.4 Do not operate RC model in public places like hospital and residential areas.
- 1.5 Never operate RC model indoors. There is a higher possibility of fire or damage.
- 1.6 Keep the parts out of reach of children, small parts can cause choking and vinyl bags can suffocate.
- 1.7 Do not use with children younger than 14 years.

**● Inspect your RC model before operation**

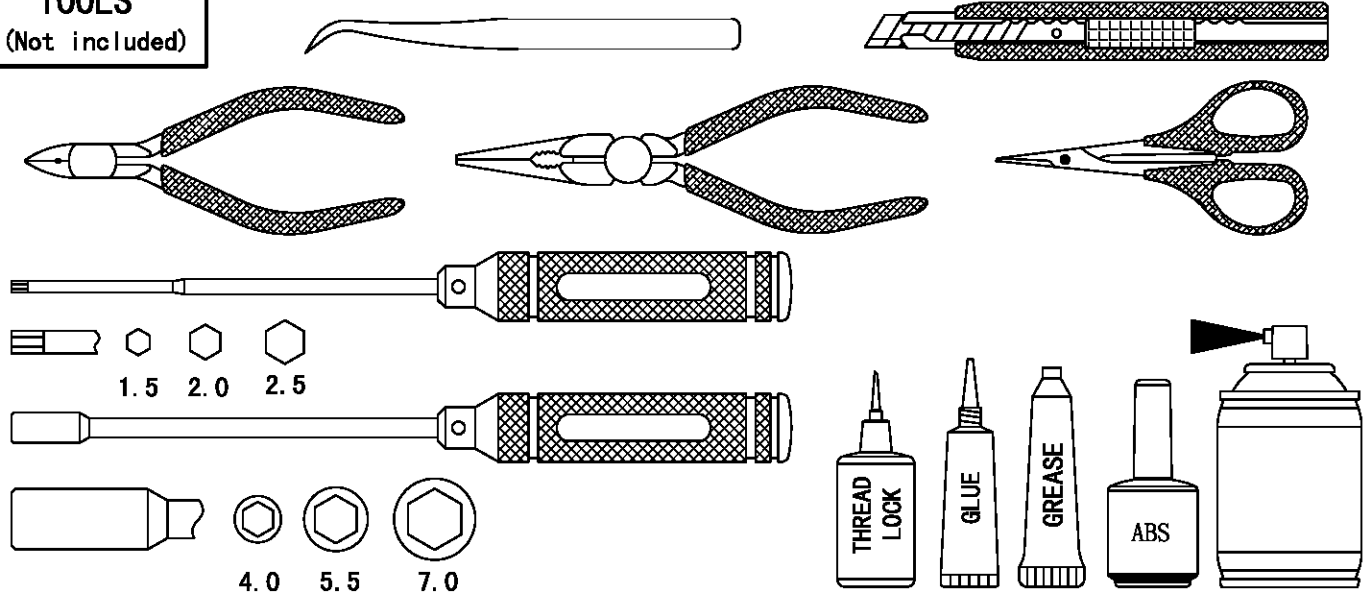
- 2.1 Make sure that all screws and nuts are properly tightened. It is also a good idea to use removable thread lock wherever metal screws go into metal, especially for engine mounts and the engine pilot shaft.
- 2.2 Always use fresh batteries for your transmitter and for your receiver to avoid losing control of the model.
- 2.3 Always test the brakes and throttle before starting your engine to avoid losing control of the model.
- 2.4 Always turn on the transmitter first, and then turn on the receiver.

**● After operation of your RC model**

- 3.1 Turn off receiver first, then turn off transmitter, this will prevent runaways.
- 3.2 Be careful when handling batteries, they will be hot after running.
- 3.3 Replace any batteries that have been dented or have frayed wires, short circuits can cause fire.

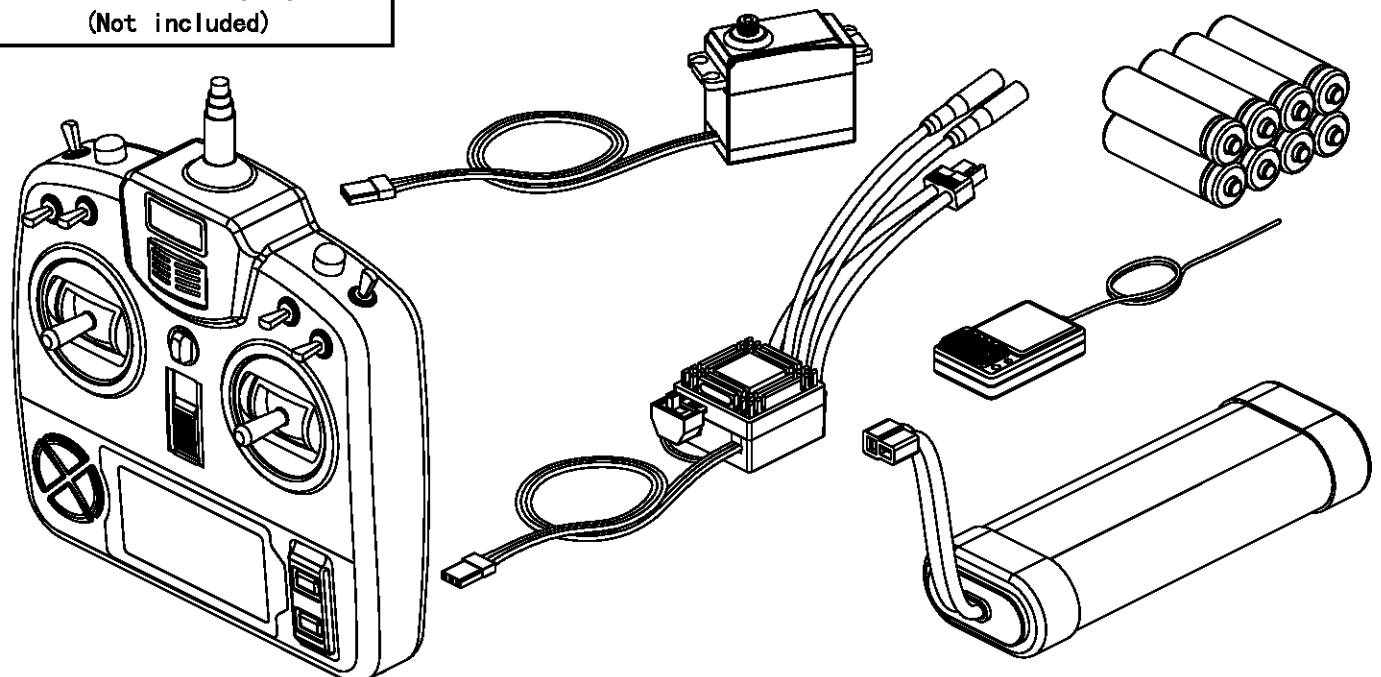
**TOOLS**

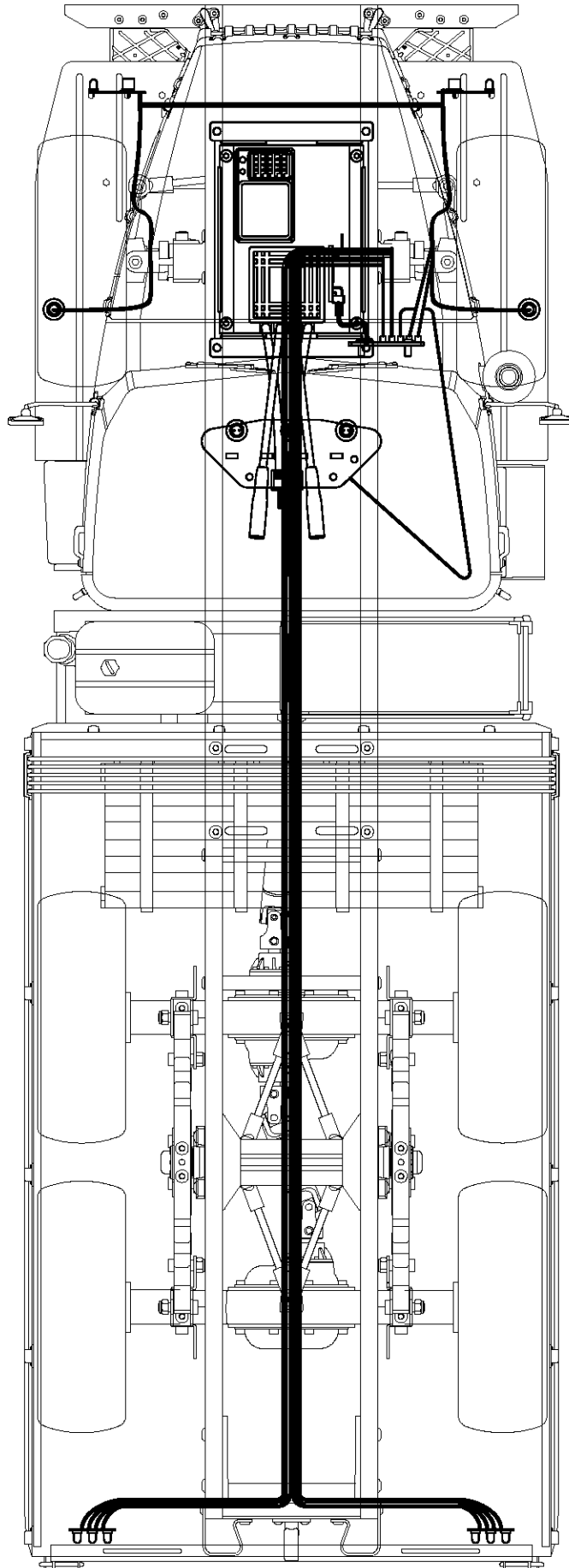
(Not included)



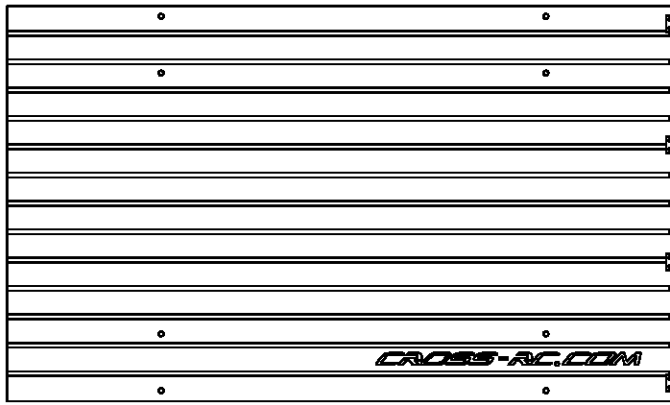
**Electronic equipment**

(Not included)

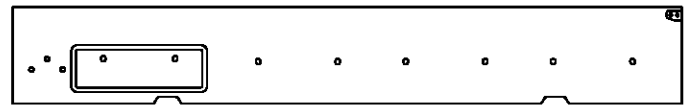




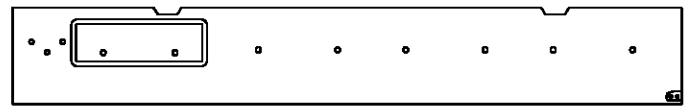
PLANK



62201 X1



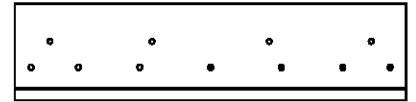
62202 X1



62203 X1



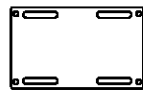
62204 X2



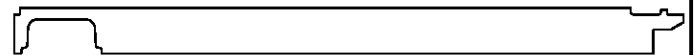
62205 X1



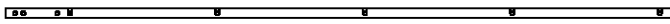
62206 X1



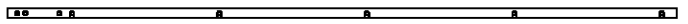
62207 X1



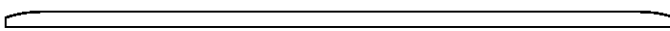
62208 X2



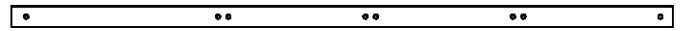
62209 X1



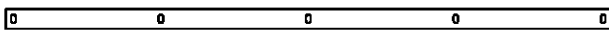
62210 X1



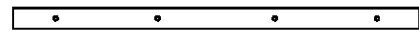
62211 X2



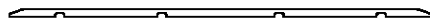
62212 X2



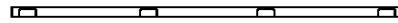
62213 X4



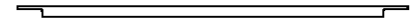
62214 X3



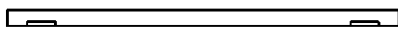
62215 X1



62216 X1



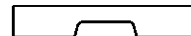
62217 X1



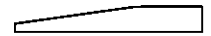
62218 X1



62219 X4



62220 X4



62221 X8



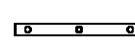
62222 X4



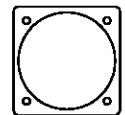
62223 X1



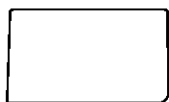
62224 X4



62225 X2



62226 X1



62301 X2



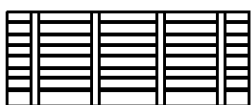
62302 X2



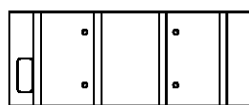
62303 X2



62304 X1



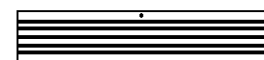
62401 X1



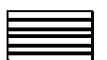
62402 X1



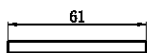
62403 X1



62404 X1



62405 X2



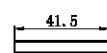
62406 X8



62407 X4

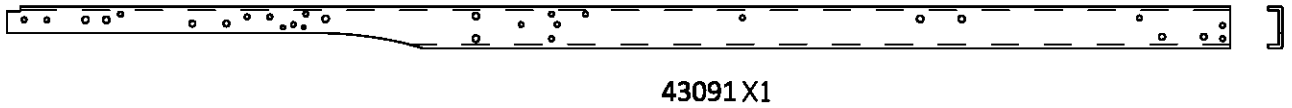


62408 X4

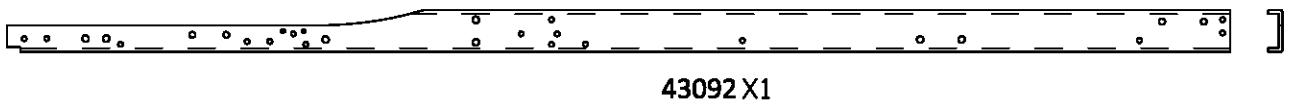


62409 X4

FRAMES

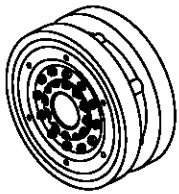


43091 X1

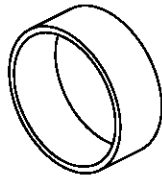


43092 X1

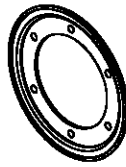
WHEELS AND TIRES



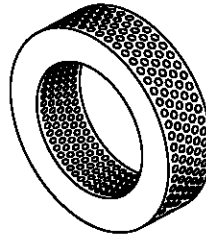
20001 X1



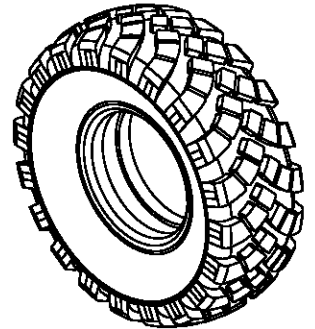
41312 X6



71000 X2



42302 X7



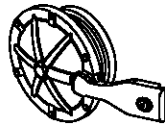
50002 X7



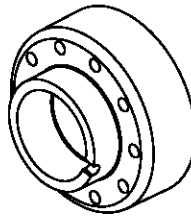
17005 X6



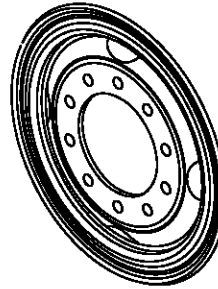
30309 X6



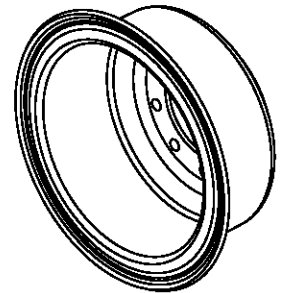
31501 X6



31502 X6



71050 X6

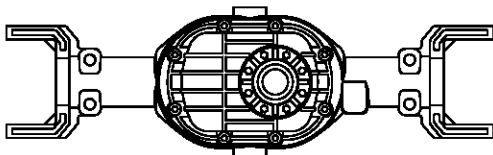


71051 X6

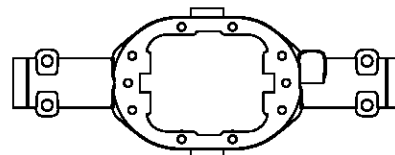


41209 X6

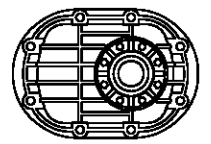
AXLES



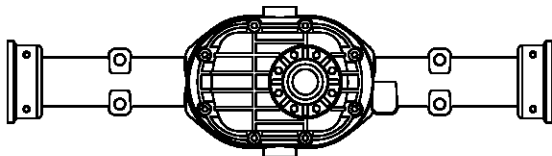
30601 X1



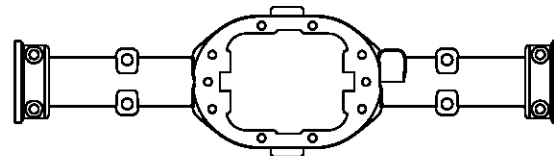
30602 X1



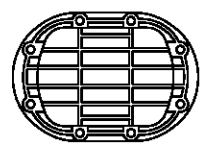
30603 X1



30701 X2



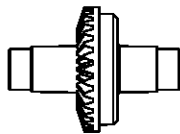
30702 X2



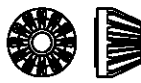
30703 X2



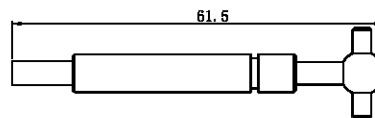
30704 X2



31701 X3



31702 X4



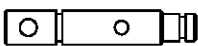
41203 X2



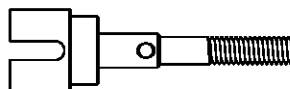
41205 X4



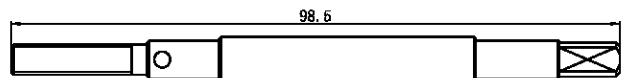
41209 X4



41210 X4

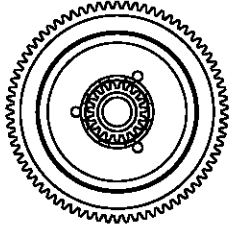


41230 X2

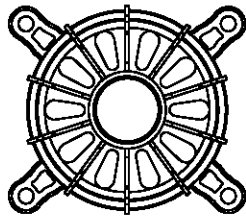


41232 X4

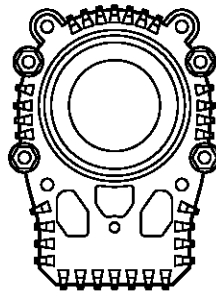
**GEAR BOX**



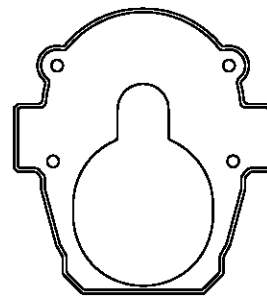
20302 X1



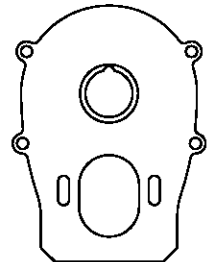
20306 X1



20405 X1



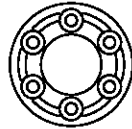
20406 X1



73001 X1



20301 X3



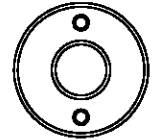
20402 X1



20403 X1



20404 X1



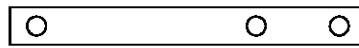
20407 X1



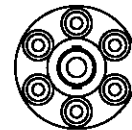
41106 X3



41209 X1



41213 X1

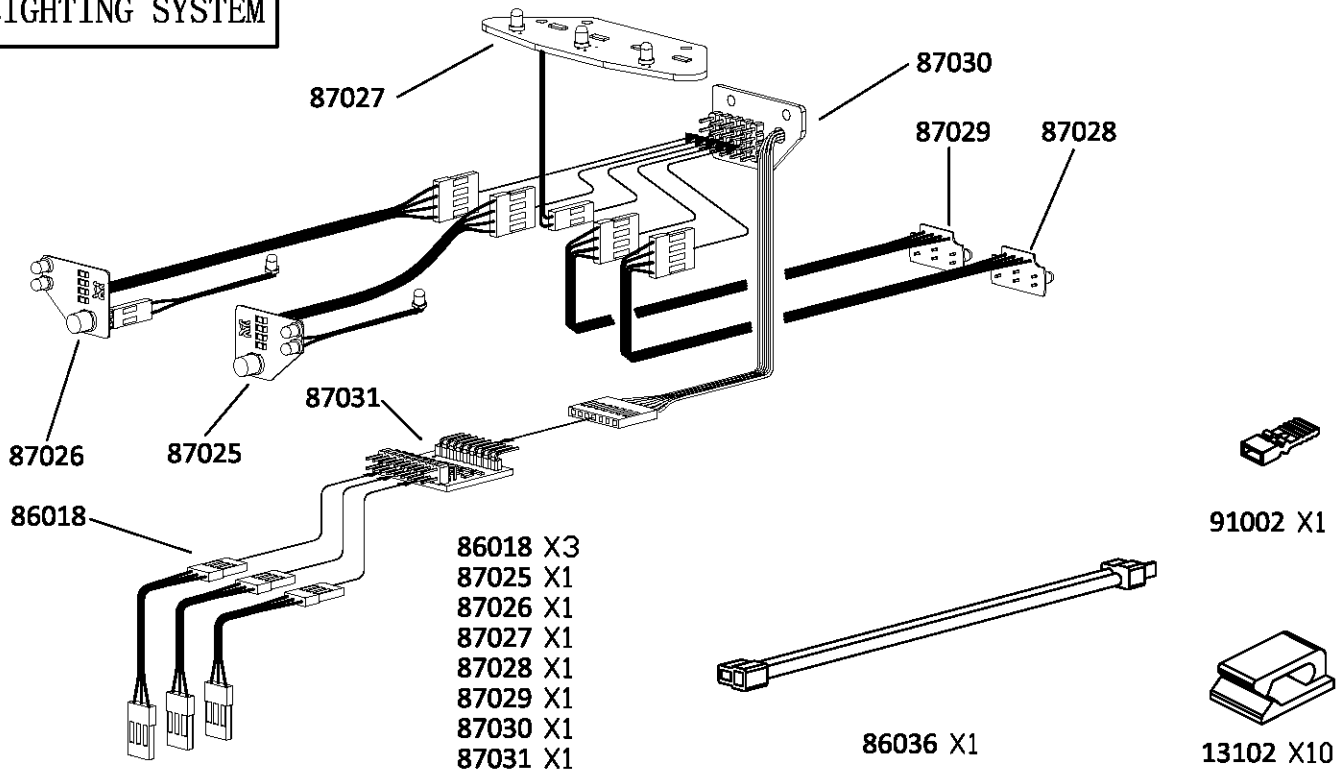


41242 X1



41303(14T) X1

**LIGHTING SYSTEM**



**DRIVE SHAFTS**



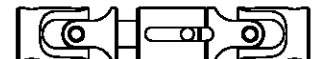
42306 X1



95004 X2



95005 X2



95006 X1

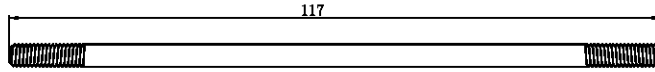
METAL ACCESSORIES



31503 X2



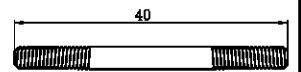
30104 X1



41102 X1



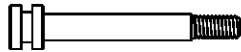
41120 X2



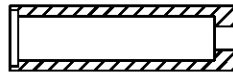
41121 X4



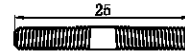
41123 X2



41133 X2



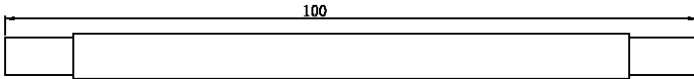
41134 X2



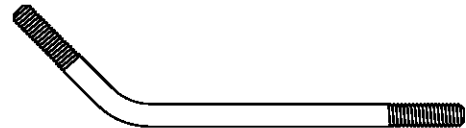
41136 X4



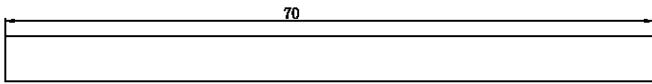
41137 X2



41138 X1



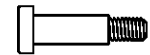
41139 X1



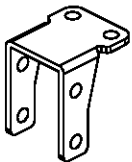
41140 X2



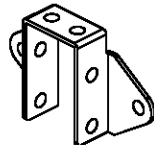
41307 X2



41308 X8



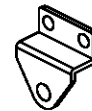
71003 X2



71004 X4



71005 X4



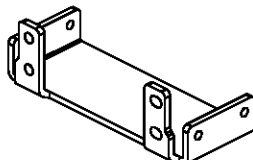
71010 X2



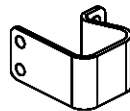
71011 X2



71012 X4



71052 X1



71053 X2



71055 X8



72015 X4



72016 X2



72017 X2



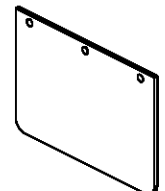
72019 X1



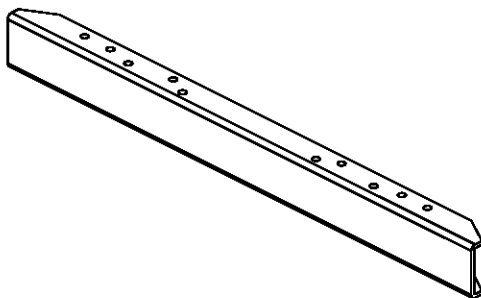
94013 X12



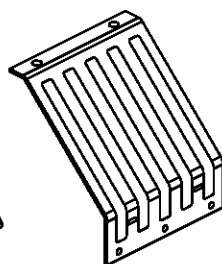
73012 X2



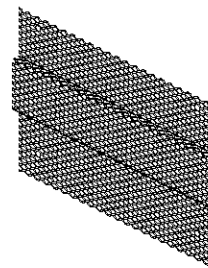
74004 X2



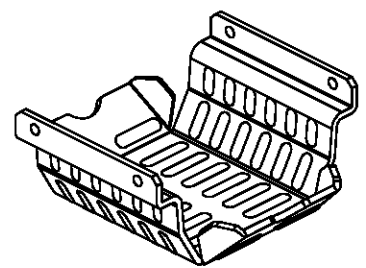
71046 X1



71054 X4

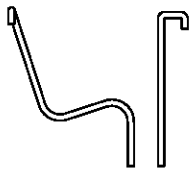


71056 X1

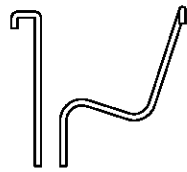


73004 X1

WIRE PARTS



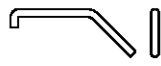
71057 X1



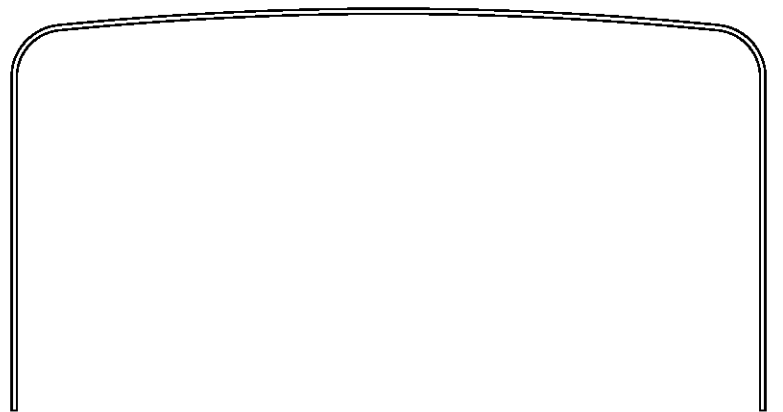
71058 X1



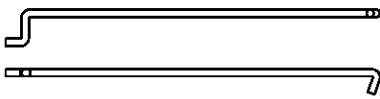
71059 X2



71060 X2

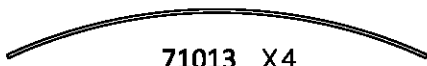


71061 X5

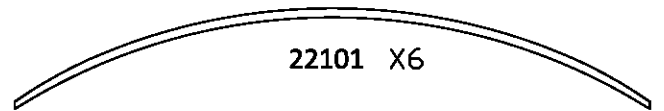


71062 X1

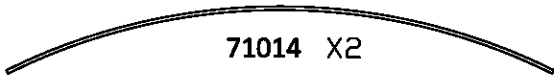
LEAF SPRINGS



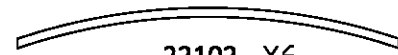
71013 X4



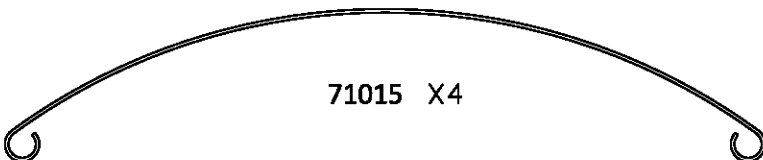
22101 X6



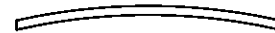
71014 X2



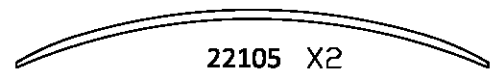
22102 X6



71015 X4

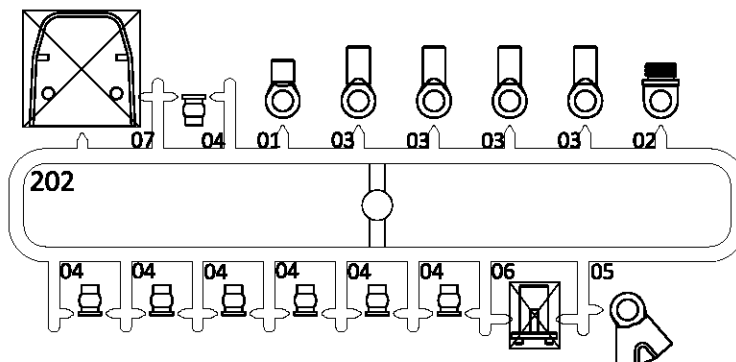


22104 X4



22105 X2


































No. 202







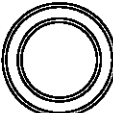

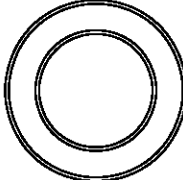

202 X5









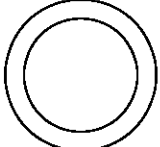





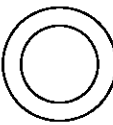







BAG FA

	FA9  ST1.4x4 X16		
FA1  M1.6 X6	FA10  ST1.4x6 X44	FA18  M3x10 X26	FA26  M3x14 X5
FA2  M2 X60	FA11  M3x8 X1	FA19  M3x14 X14	FA27  M3x20 X3
FA3  M2.5 X8	FA12  M1.6x6 X8	FA20  M3x18 X14	FA28  M3x22 X10
FA4  M3 X63	FA13  M2x6 X26	FA21  M2x6 X12	FA29  M3x25 X4
FA5  M4 X6	FA14  M2.5x6 X19	FA22  M2x8 X60	FA30  M3x28 X1
FA6  M3x4 X1	FA15  M2.5x10 X8	FA23  M2x14 X28	FA31  M3x35 X2
FA7  M3x10 X6	FA16  M3x6 X22	FA24  M2.5x10 X8	FA32  M3x16 X2
FA8  M4x4 X4	FA17  M3x8 X36	FA25  M3x10 X4	FA33  M2.5x4 X2

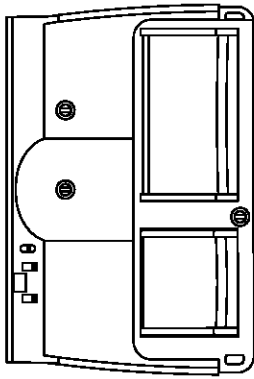
BAG FB

FB1  	FB2  	FB3  	FB4  
$\phi 5 \times \phi 8 \times 2.5$ X7	$\phi 5 \times \phi 10 \times 4$ X18	$\phi 10 \times \phi 15 \times 4$ X9	$\phi 15 \times \phi 24 \times 5$ X2

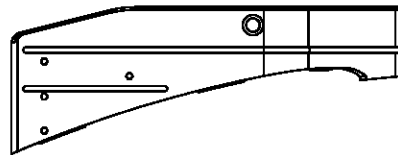
BAG FC

	FC1  	FC2  	FC3  
	$\phi 2 \times \phi 5.5 \times 0.4$ X4	$\phi 3.8 \times \phi 9.2 \times 0.6$ X6	$\phi 3 \times \phi 7 \times 0.5$ X12
FC4 (72001)  	FC5 (72003)  	FC6 (72007)  	FC7 (72008)  
$\phi 15 \times \phi 20 \times 0.2$ X1	$\phi 5 \times \phi 8 \times 0.5$ X1	$\phi 5 \times \phi 8 \times 0.3$ X4	$\phi 10.2 \times \phi 15 \times 0.2$ X6
FC8  	FC9  	FC10  	
$\phi 5 \times \phi 3 \times 1$ X2	$\phi 6 \times \phi 2.4 \times 1.8$ X2	$\phi 8 \times \phi 6 \times 1$ X2	

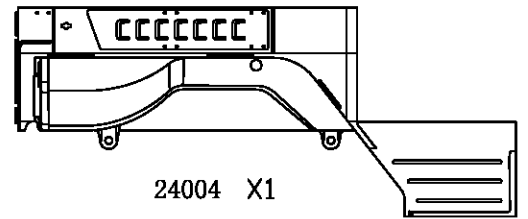
No. 240



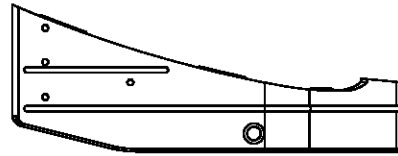
24001 X1



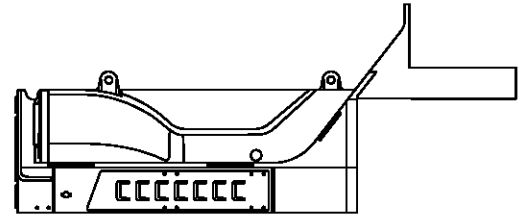
24003 X1



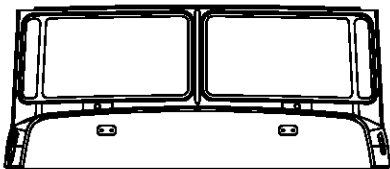
24004 X1



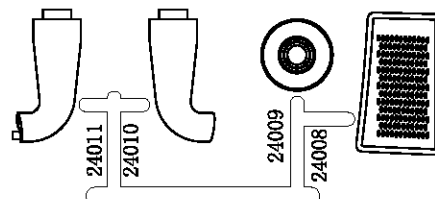
24002 X1



24005 X1



24006 X1

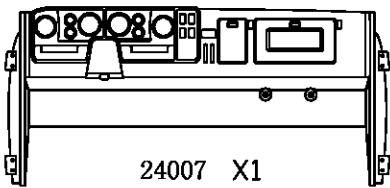


24011

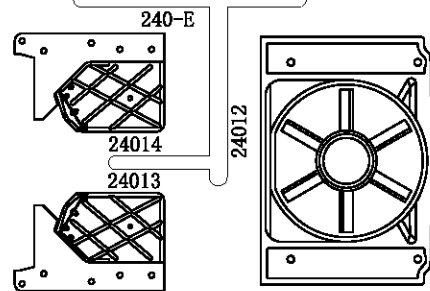
24010

24009

24008



24007 X1



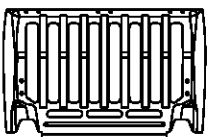
240-E

24014

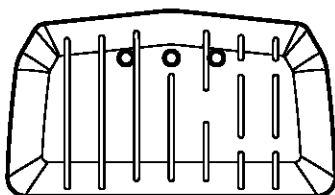
24013

24012

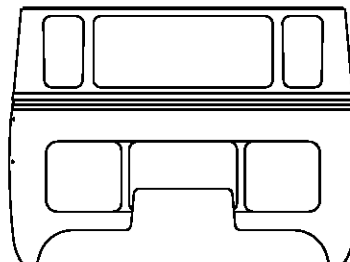
No. 241



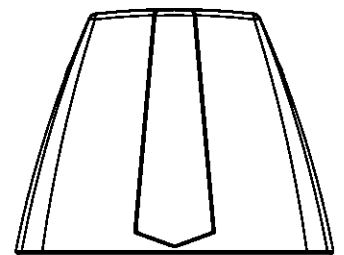
24101 X1



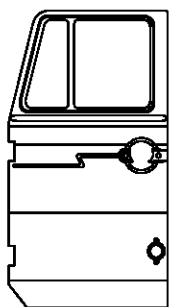
24102 X1



24103 X1



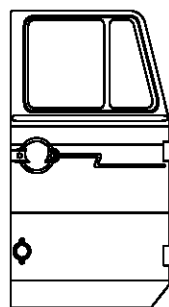
24104 X1



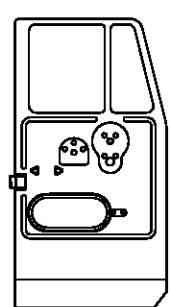
24105 X1



24106 X1



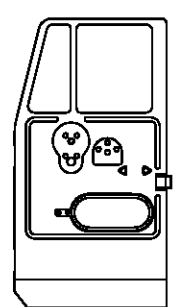
24107 X1



24108 X1

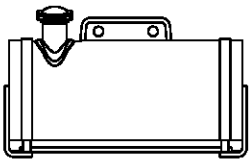


24109 X1

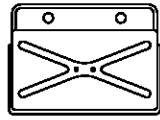


24110 X1

No. 242



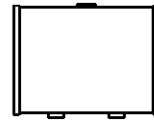
24201 X1



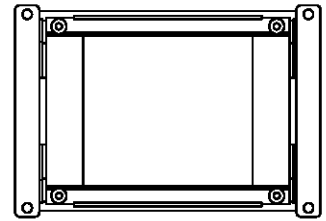
24202 X1



24203 X1



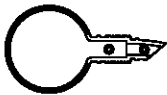
24204 X1



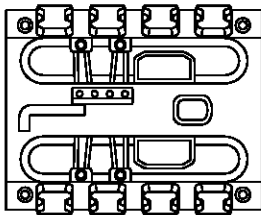
24205 X1



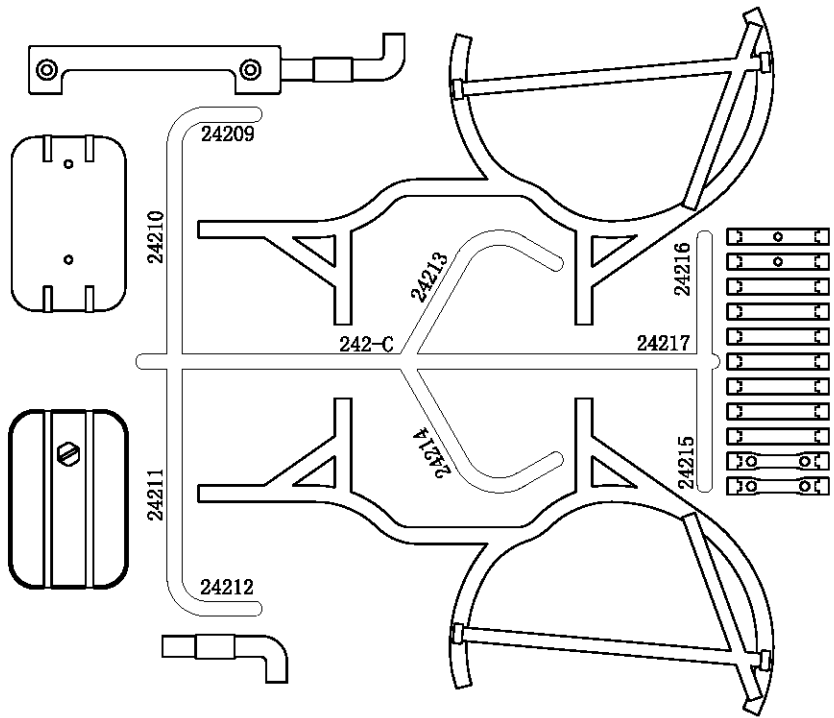
24206 X1



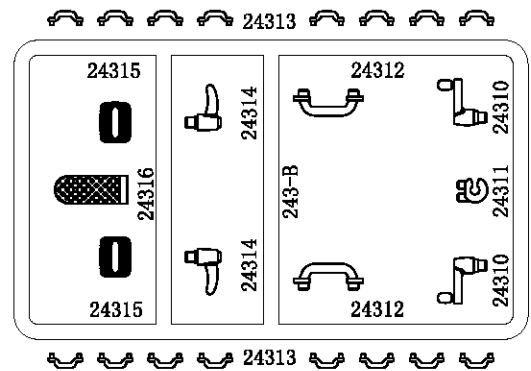
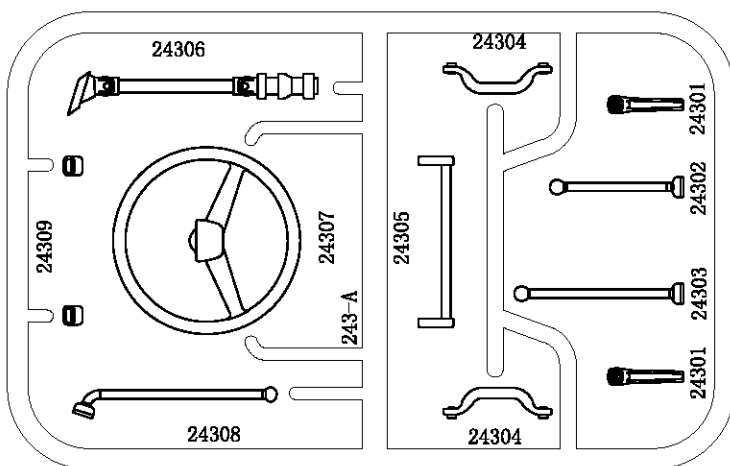
24207 X1



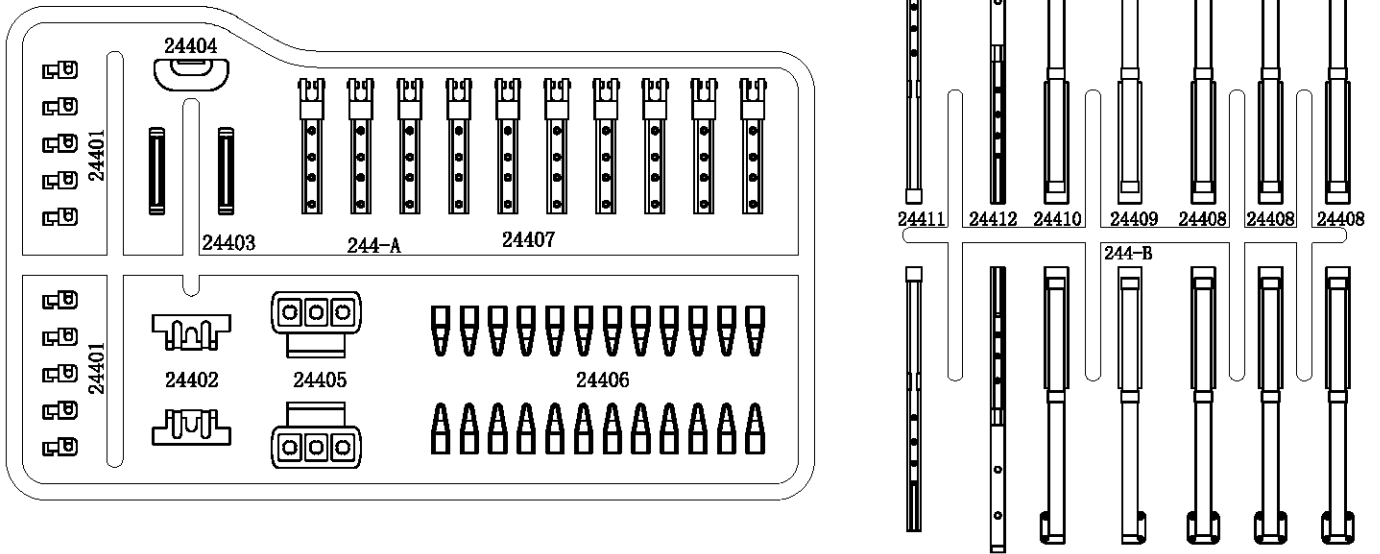
24208 X1



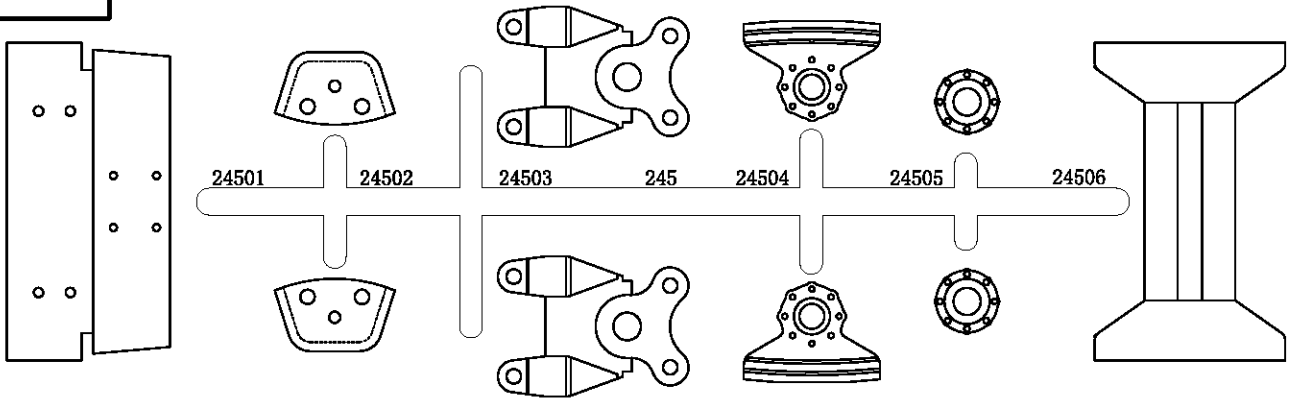
No. 243



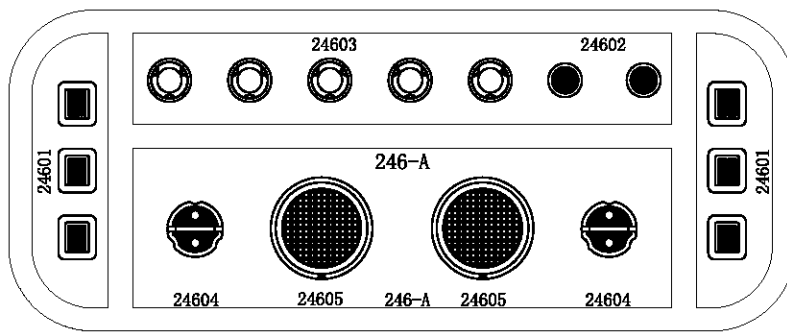
No. 244



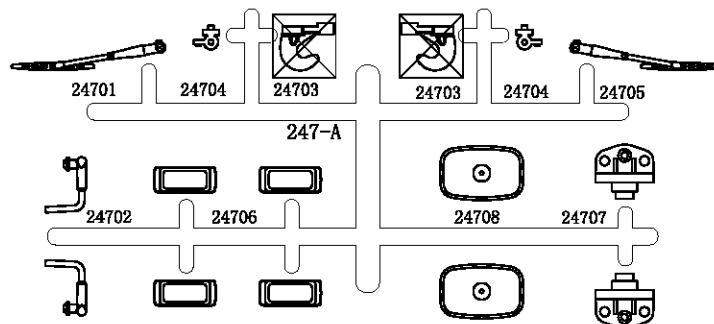
No. 245

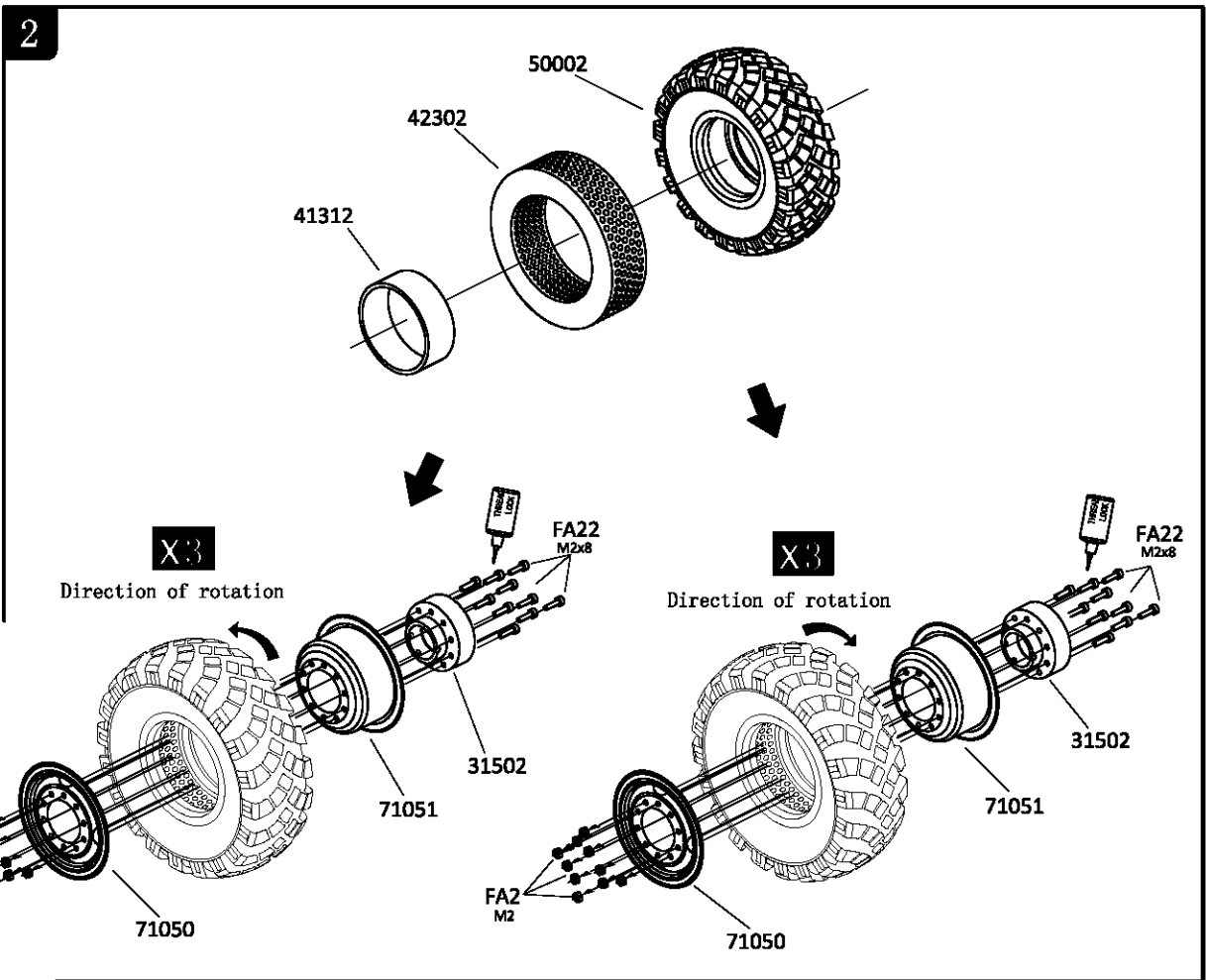
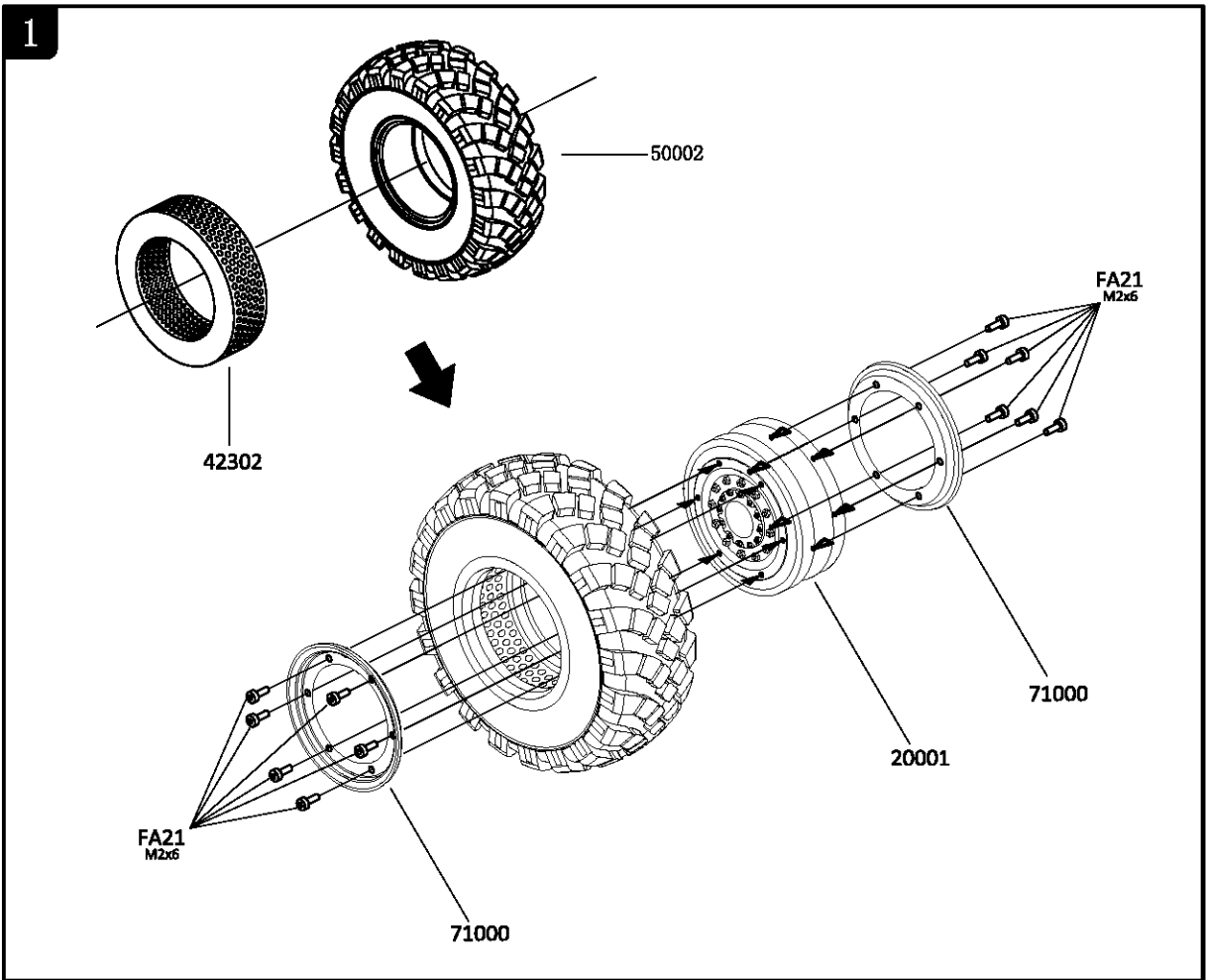


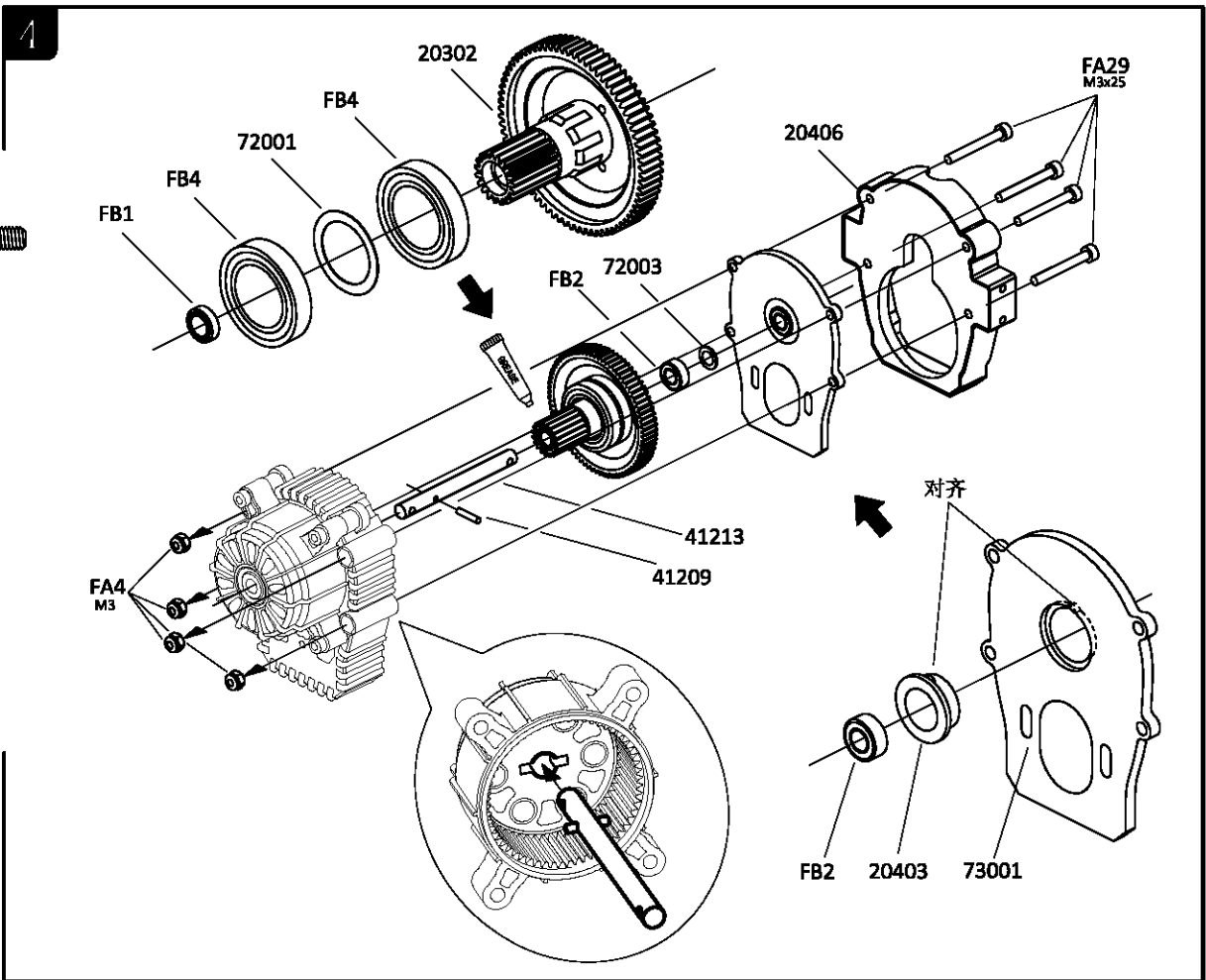
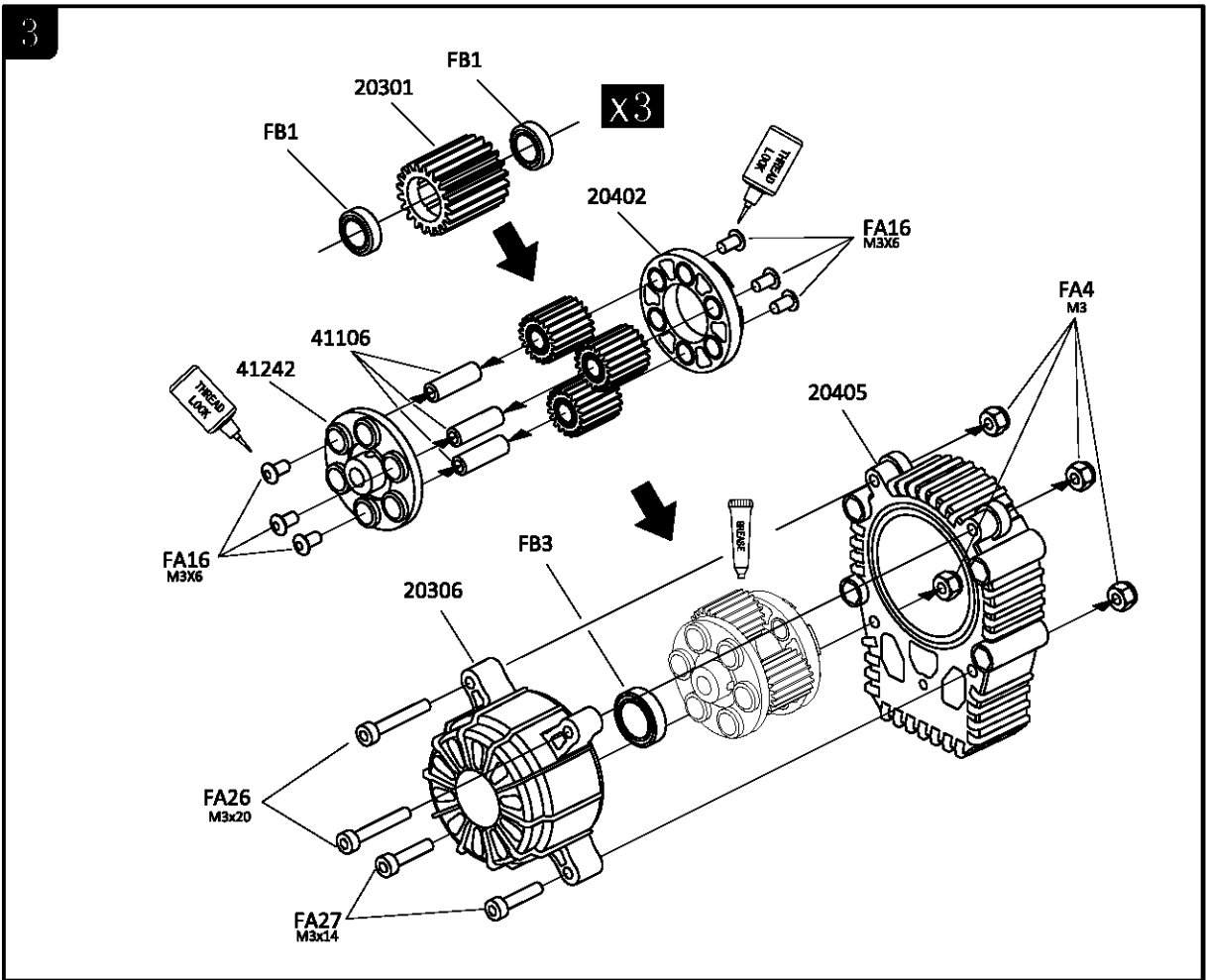
No. 246

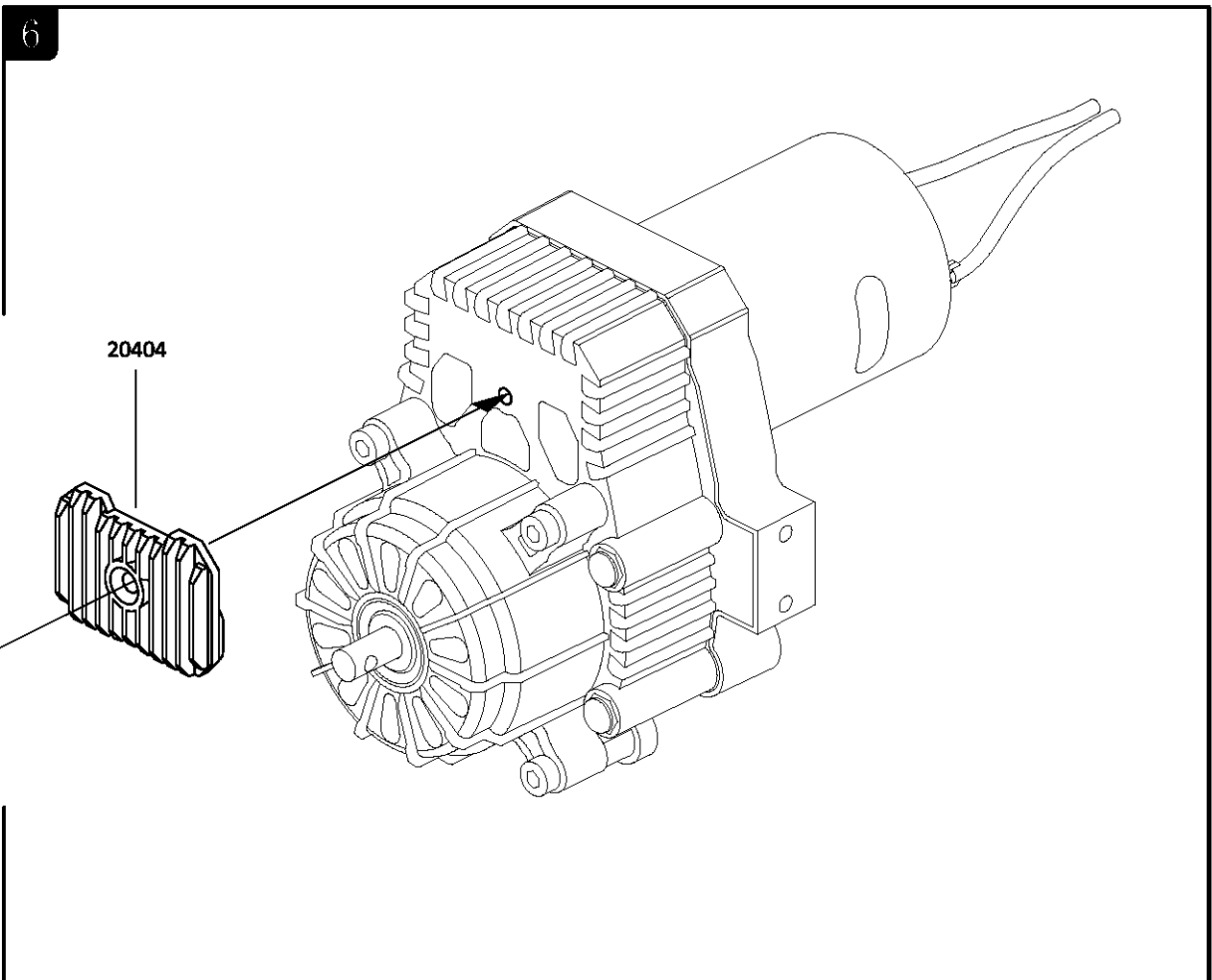
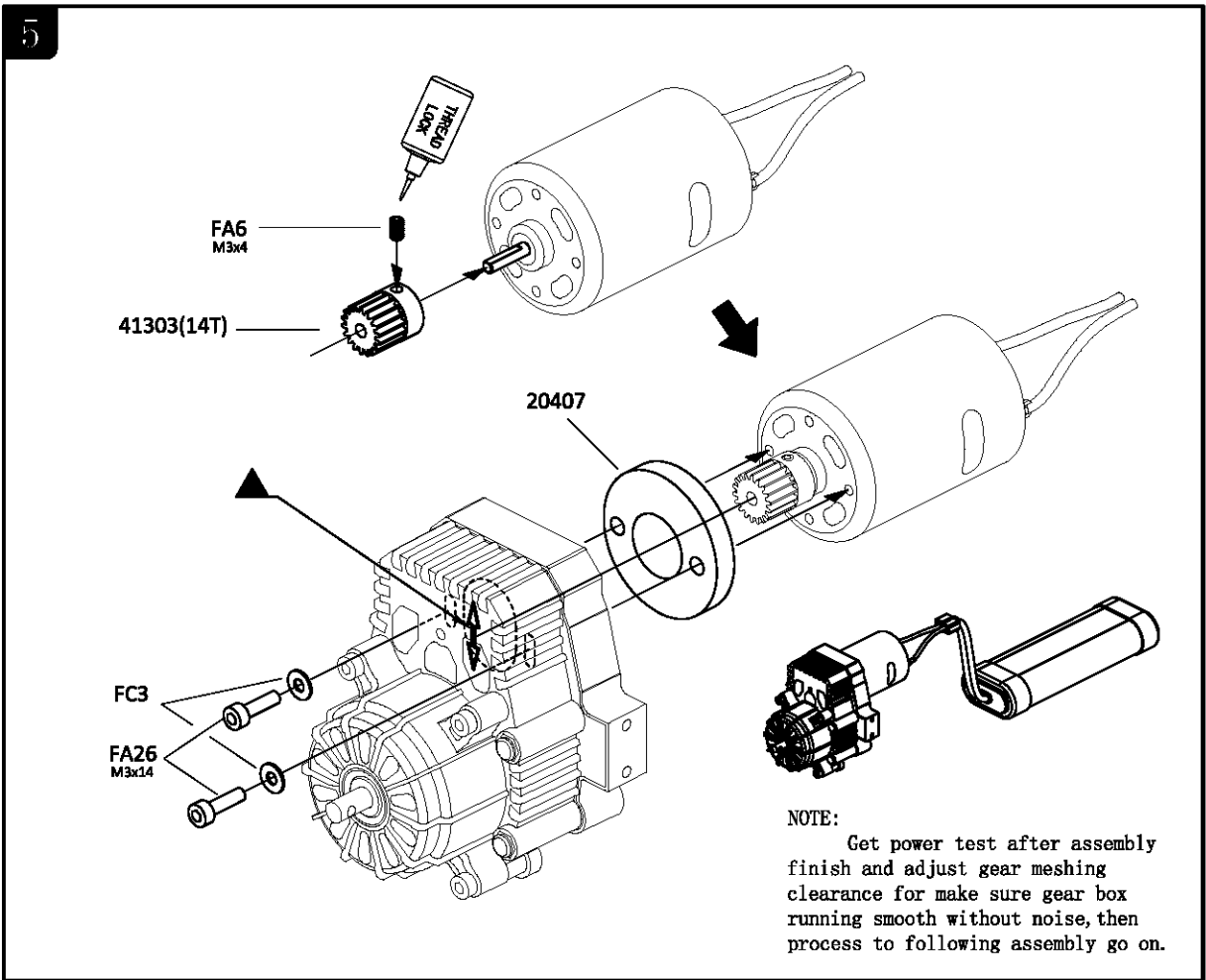


No. 247



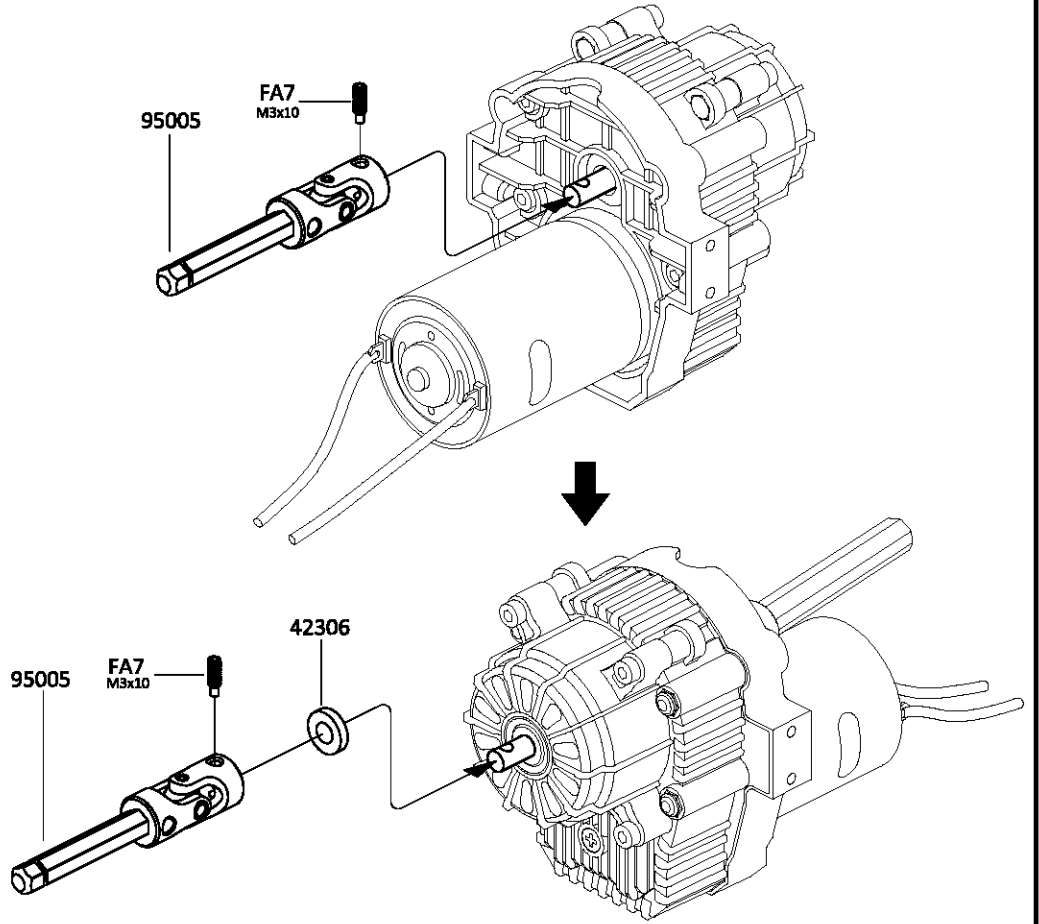






7

FA7  
M3x10 X2

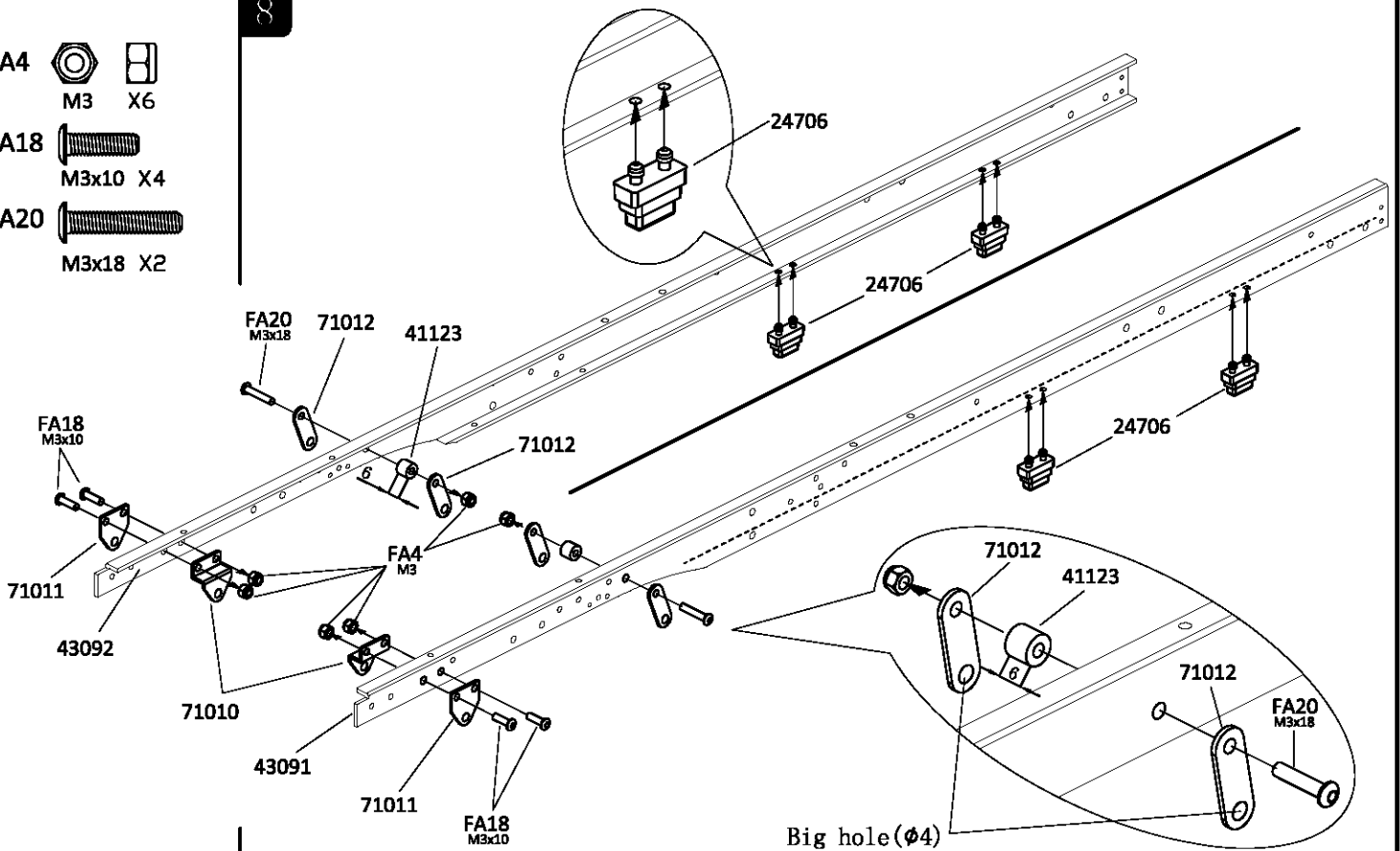


8

FA4  
M3 X6







FA18  
M3x10 X4

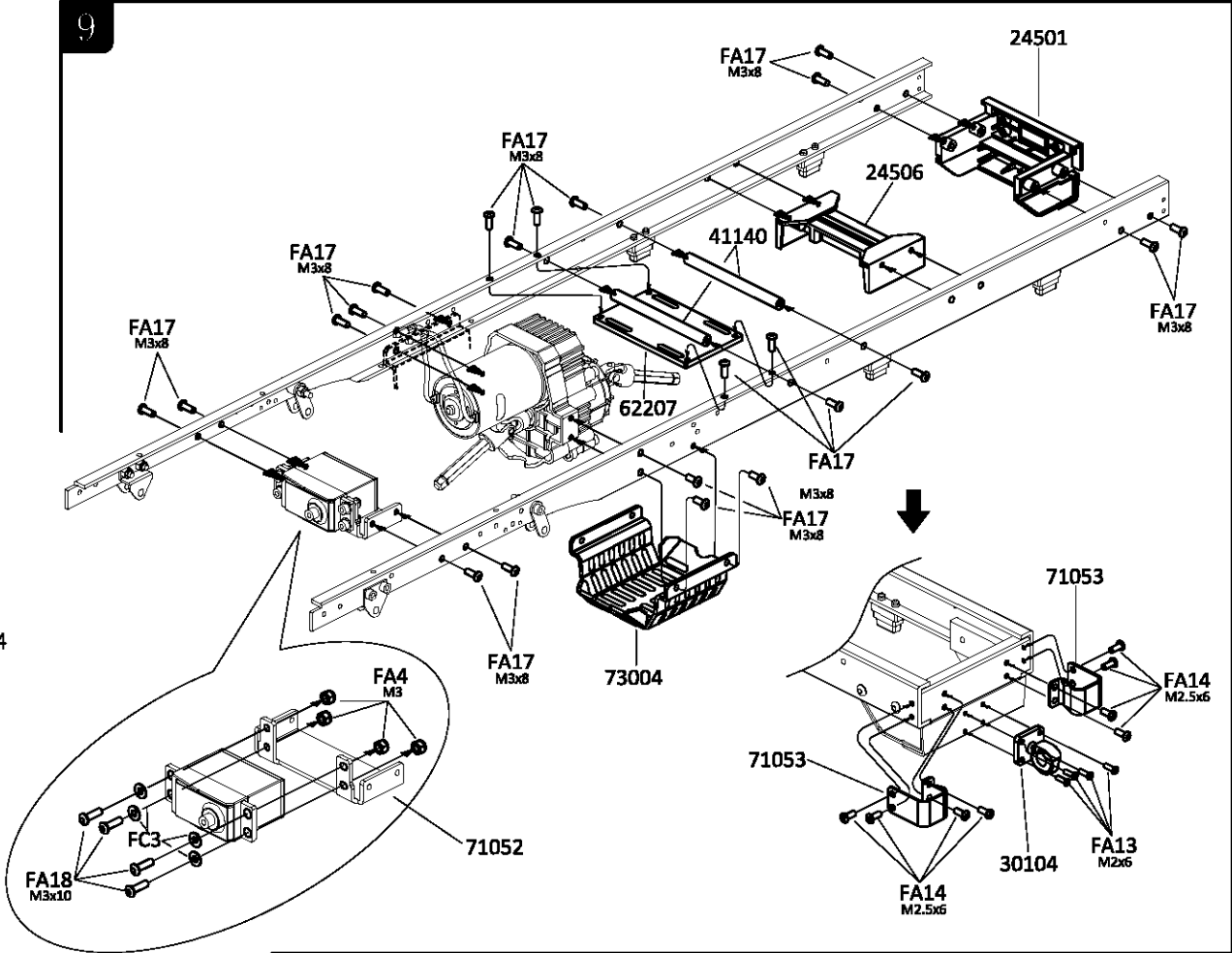
FA20  
M3x18 X2








9

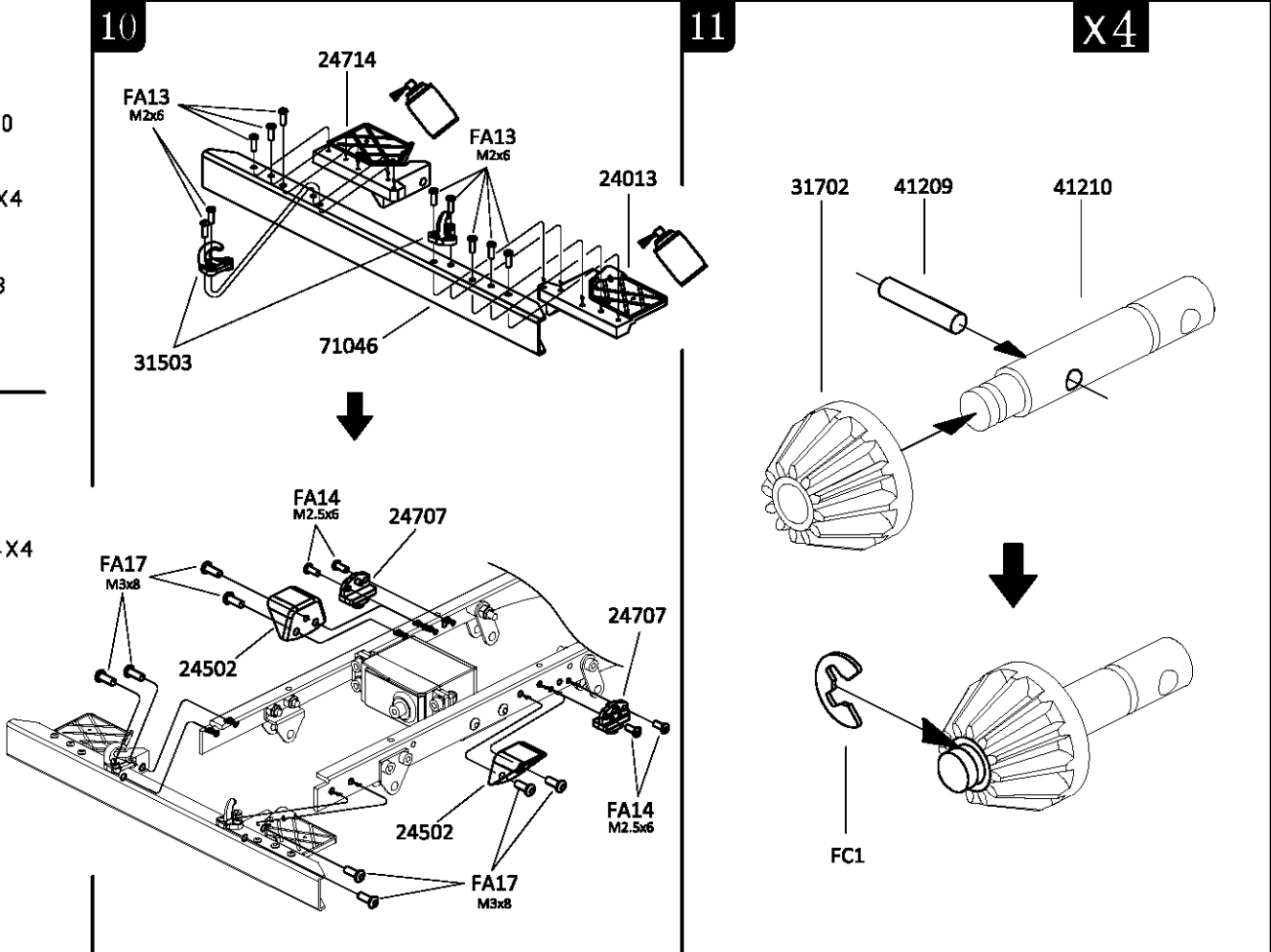
- FA4  M3 X4
- FA13  M2x6 X4
- FA14  M2.5x6 X8
- FA17  M3x8 X22
- FA18  M3x10 X4
- FC3   $\phi 3 \times \phi 7 \times 0.5$  X4




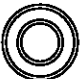



10

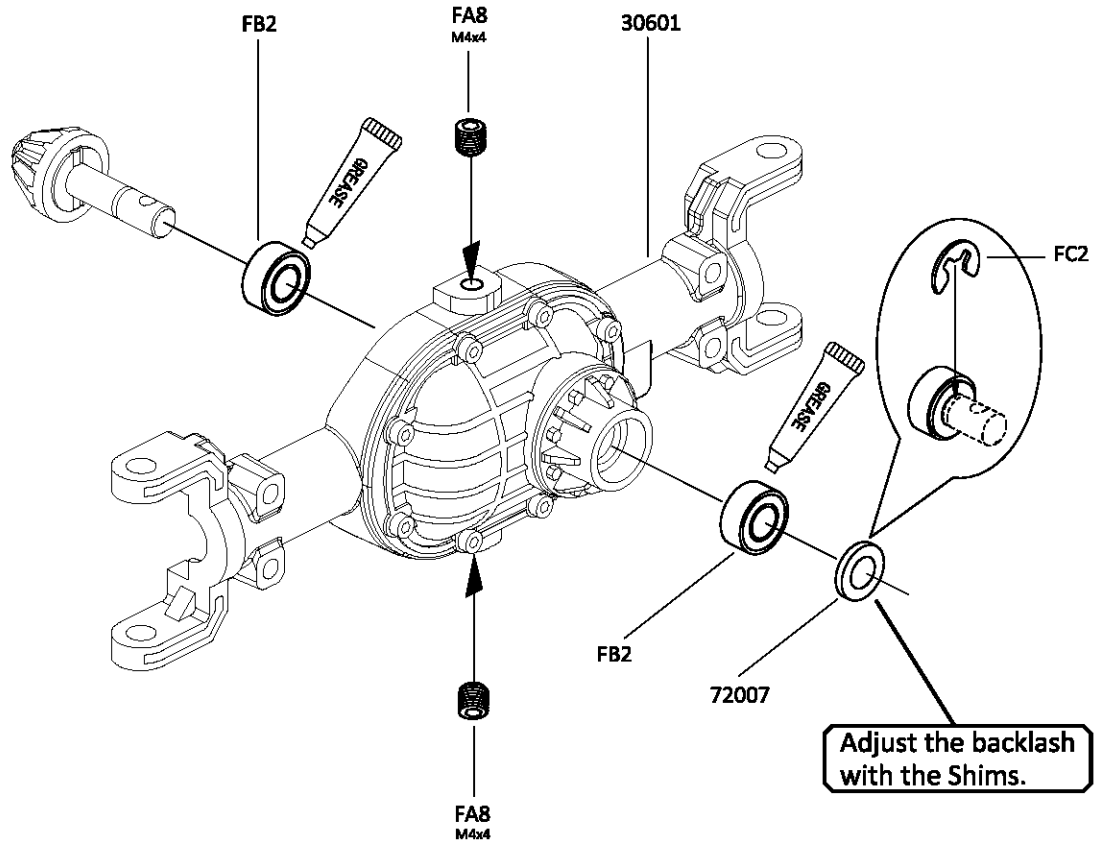
- FA13  M2x6 X10
- FA14  M2.5x6 X4
- FA17  M3x8 X8

- FC1   $\phi 2 \times \phi 5.5 \times 0.4$  X4










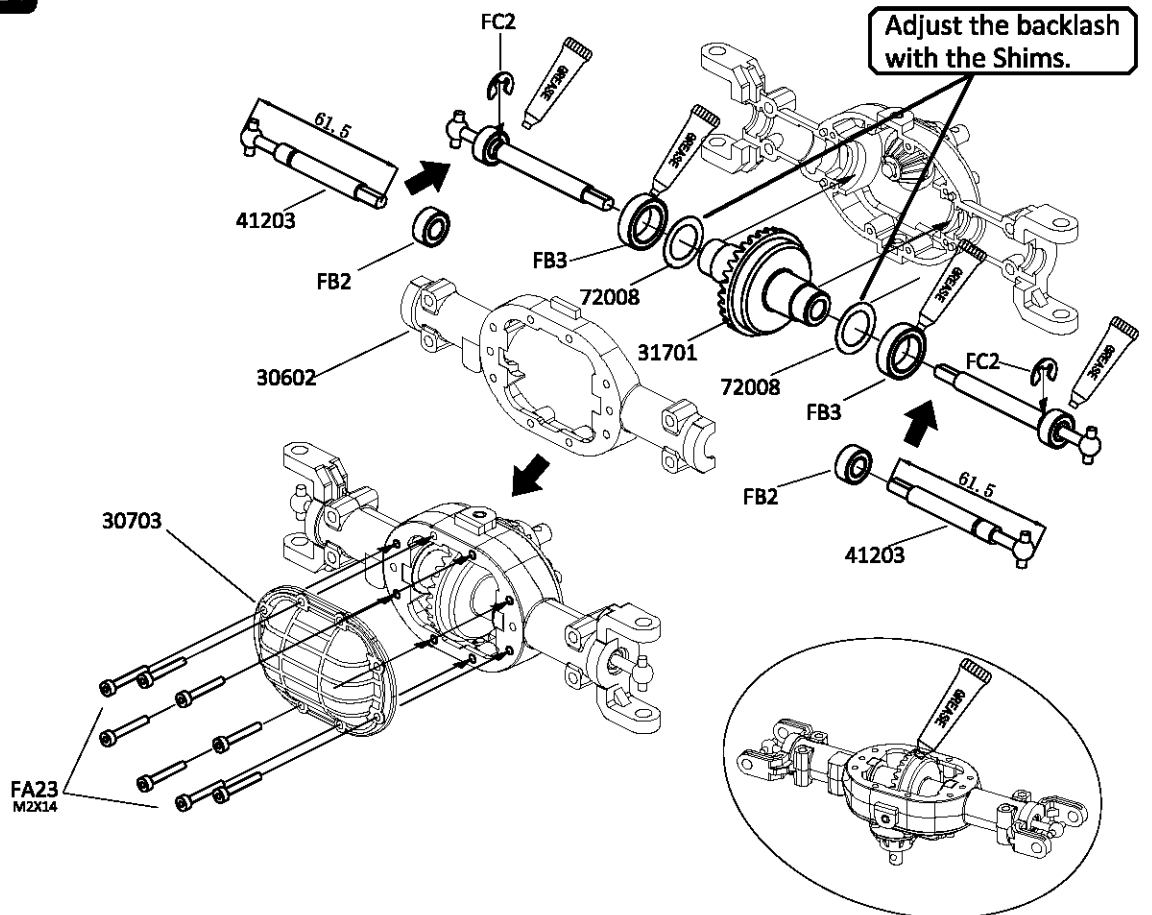
12

- FA8  M4x4 X2
- FB2    $\phi 5 \times \phi 10 \times 4$  X2
- FC2    $\phi 3.8 \times \phi 9.2 \times 0.6$  X1



13

- FA23  M2x14 X8
- FB2    $\phi 5 \times \phi 10 \times 4$  X2
- FB3    $\phi 10 \times \phi 15 \times 4$  X2
- FC2    $\phi 3.8 \times \phi 9.2 \times 0.6$  X2

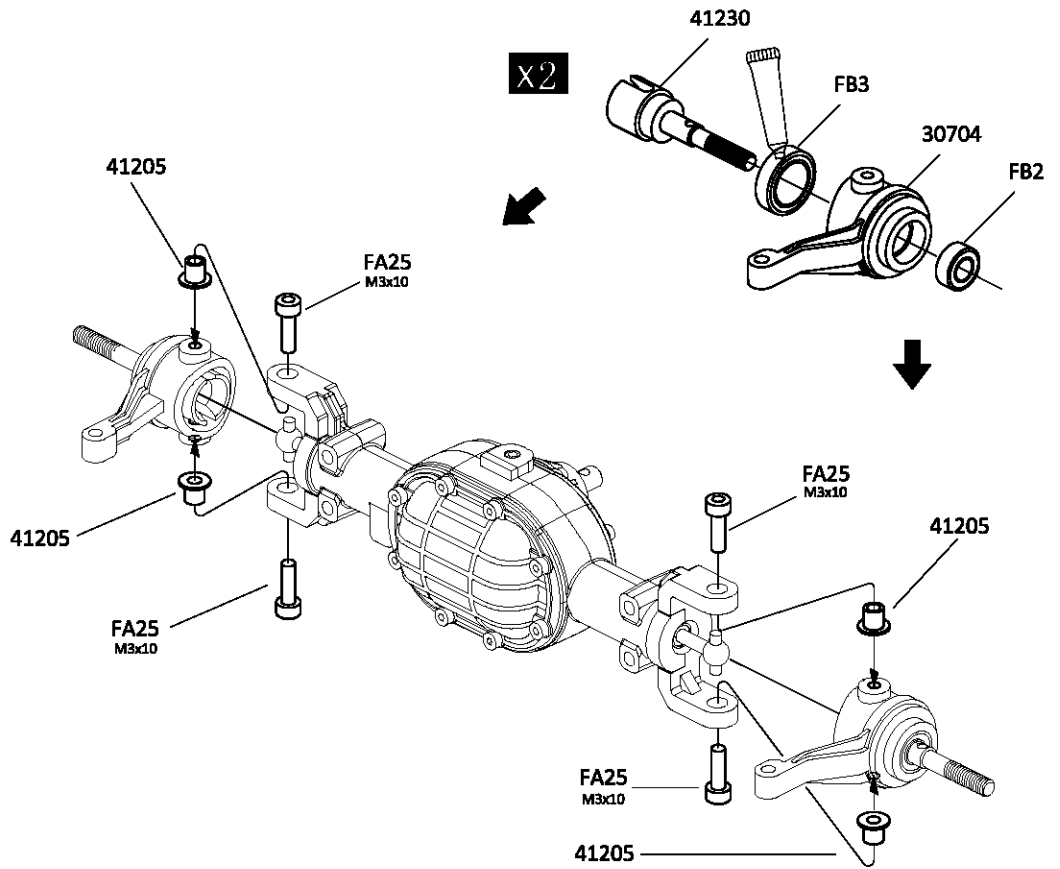


14

FA25  
M3x10 X4

FB2  
Ø5xØ10x4 X2

FB3  
Ø10xØ15x4 X2

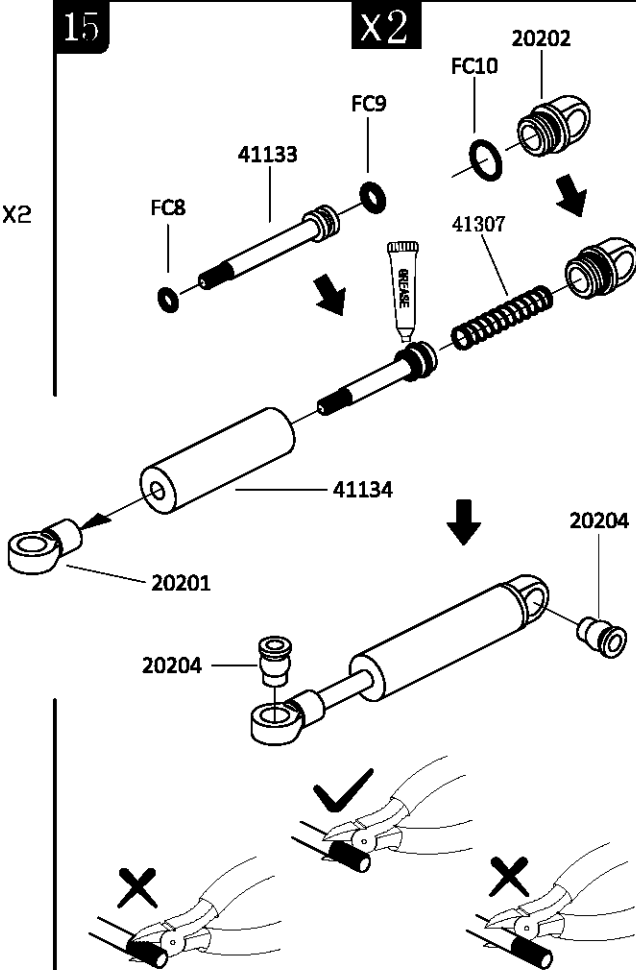


15

FC8  
Ø5xØ3x1 X2

FC9  
Ø6xØ2.4x1.8 X2

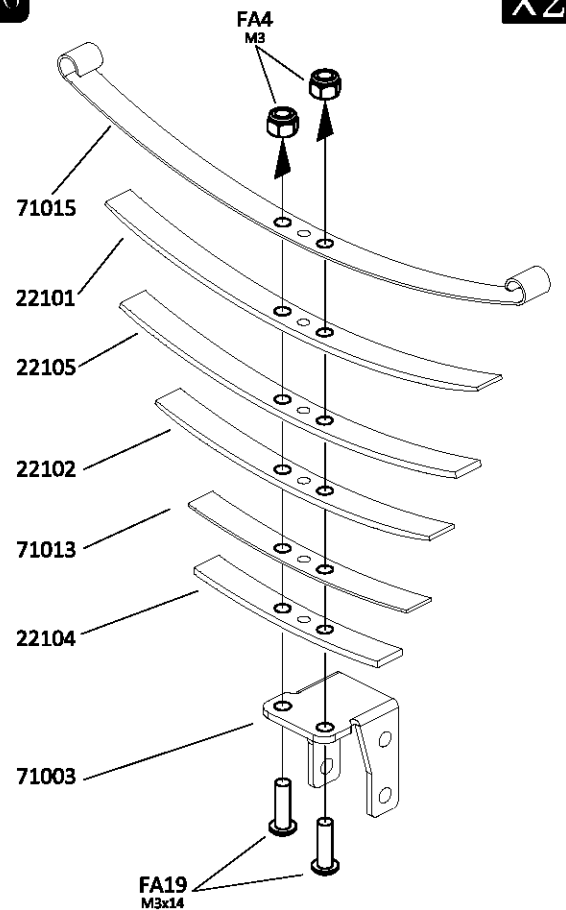
FC10  
Ø8xØ6x1.0 X2



FA4  
M3 X4


FA19  
M3x14 X4


16

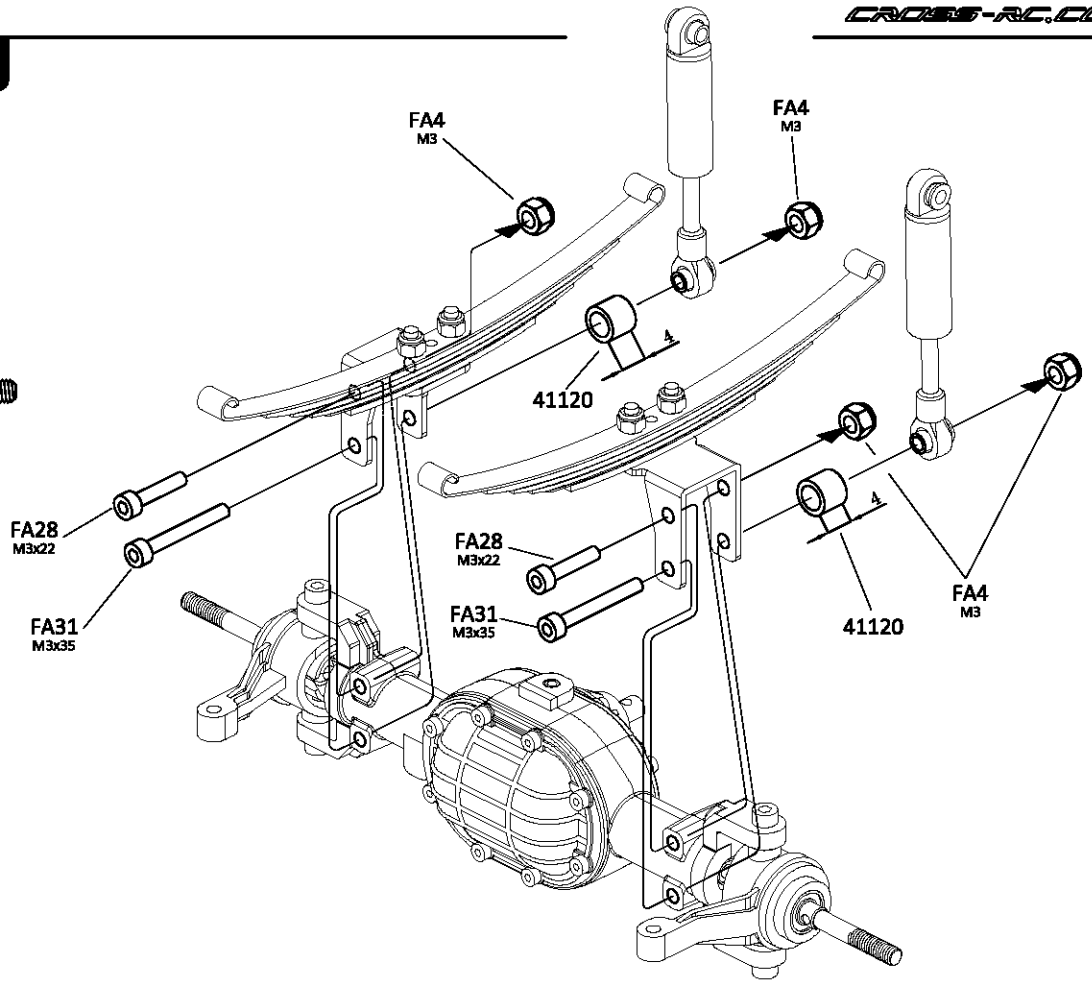


17


FA4   
M3 X4

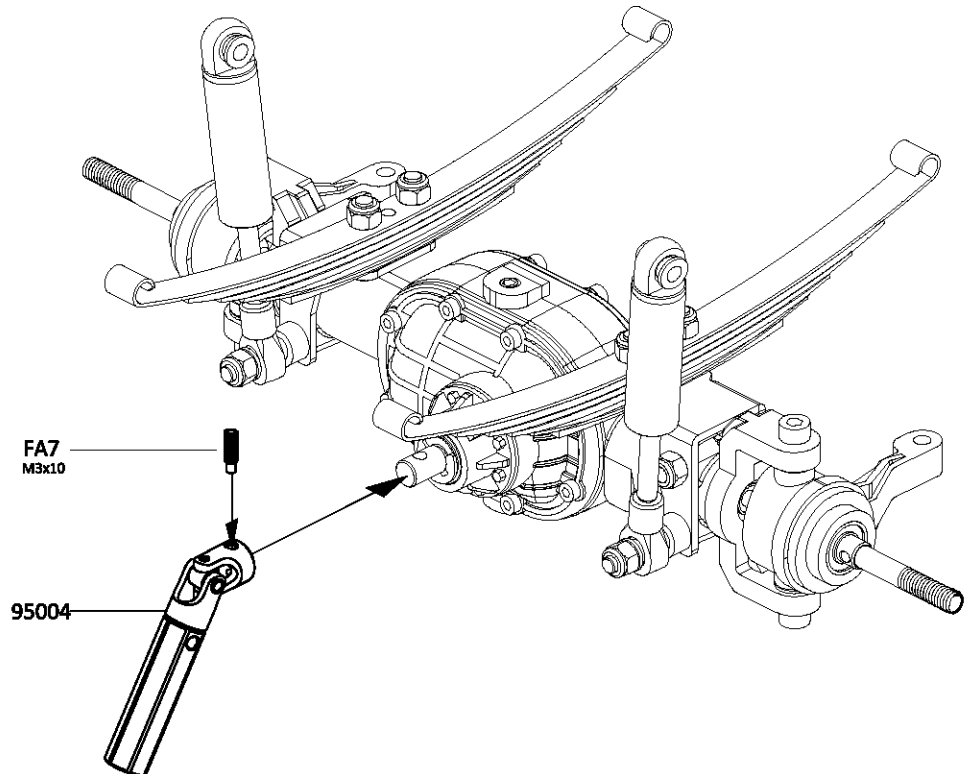
FA28   
M3x22 X2

FA31   
M3x35 X2




18

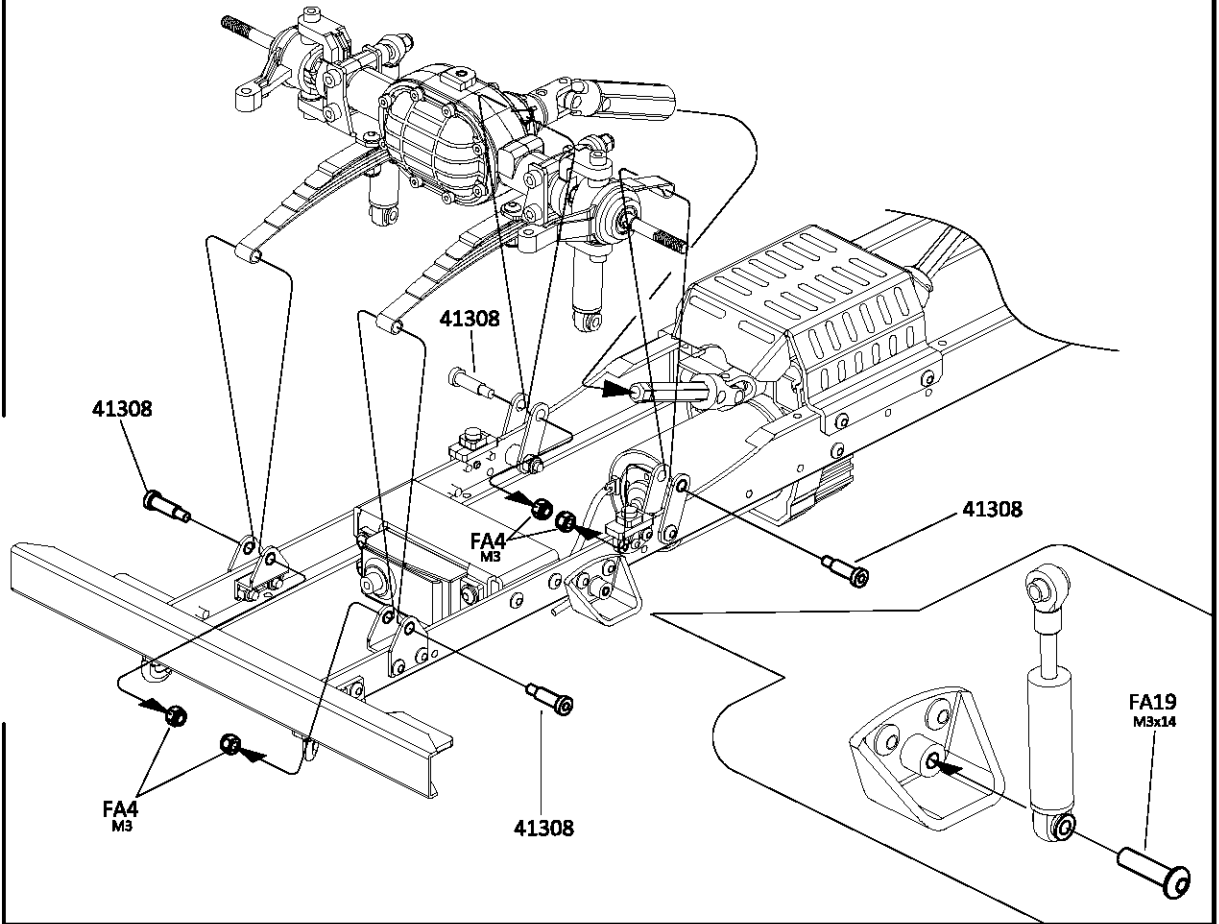
FA7   
M3x10 X1



19

FA4   
M3 X4


FA19   
M3x14 X2




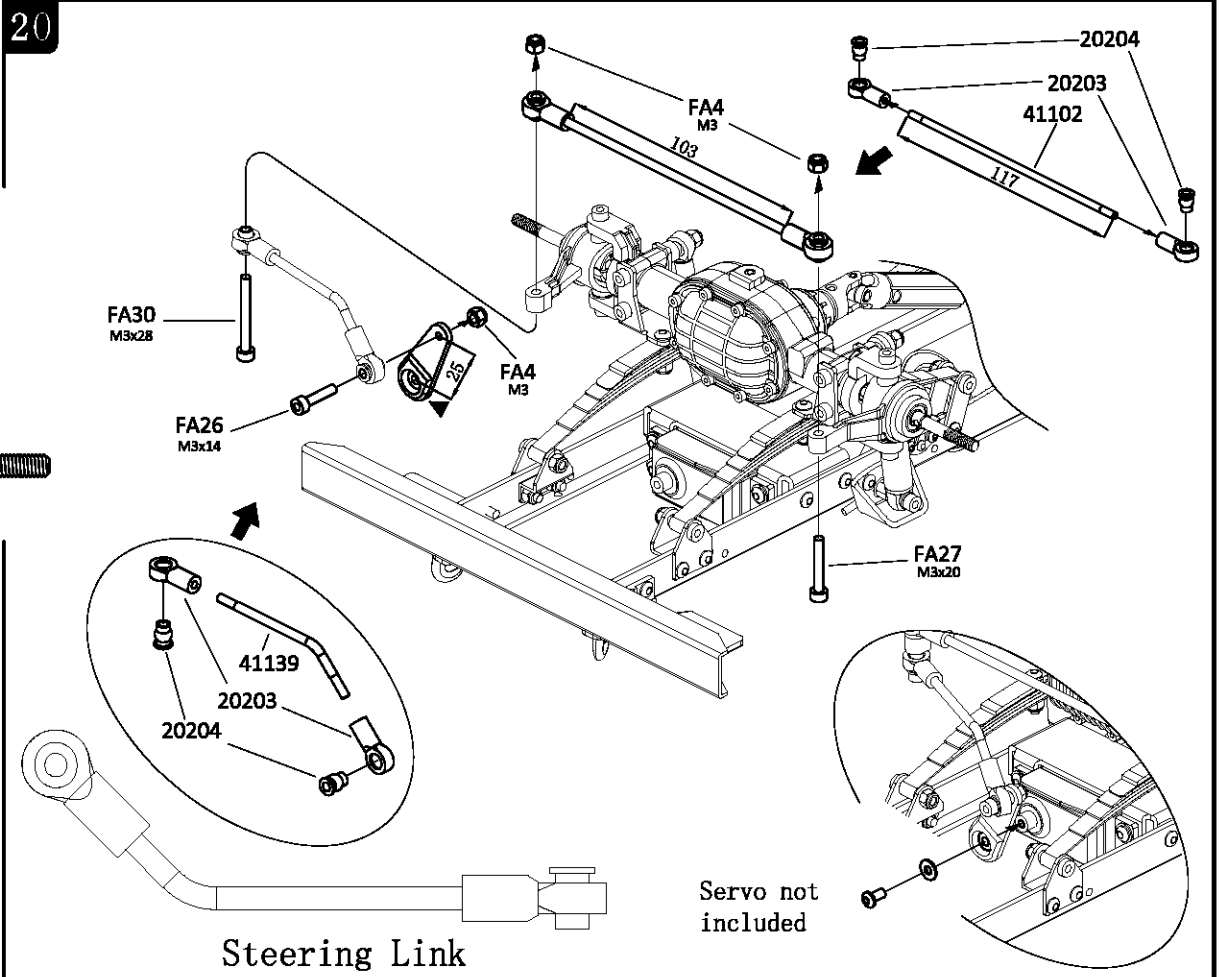
20

FA4   
M3 X3

FA26   
M3x14 X1


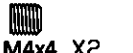



FA27   
M3x20 X1

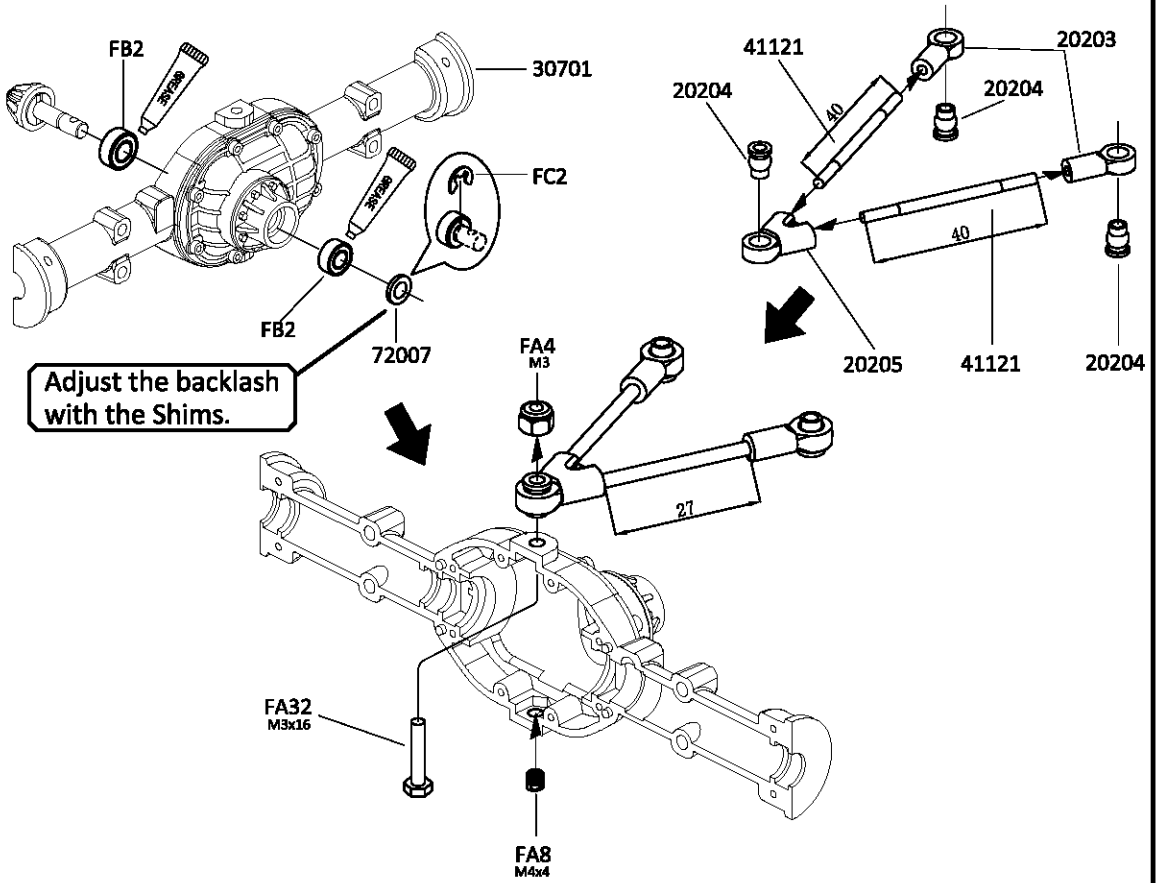
FA30   
M3x28 X1



21


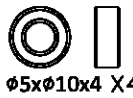

X2

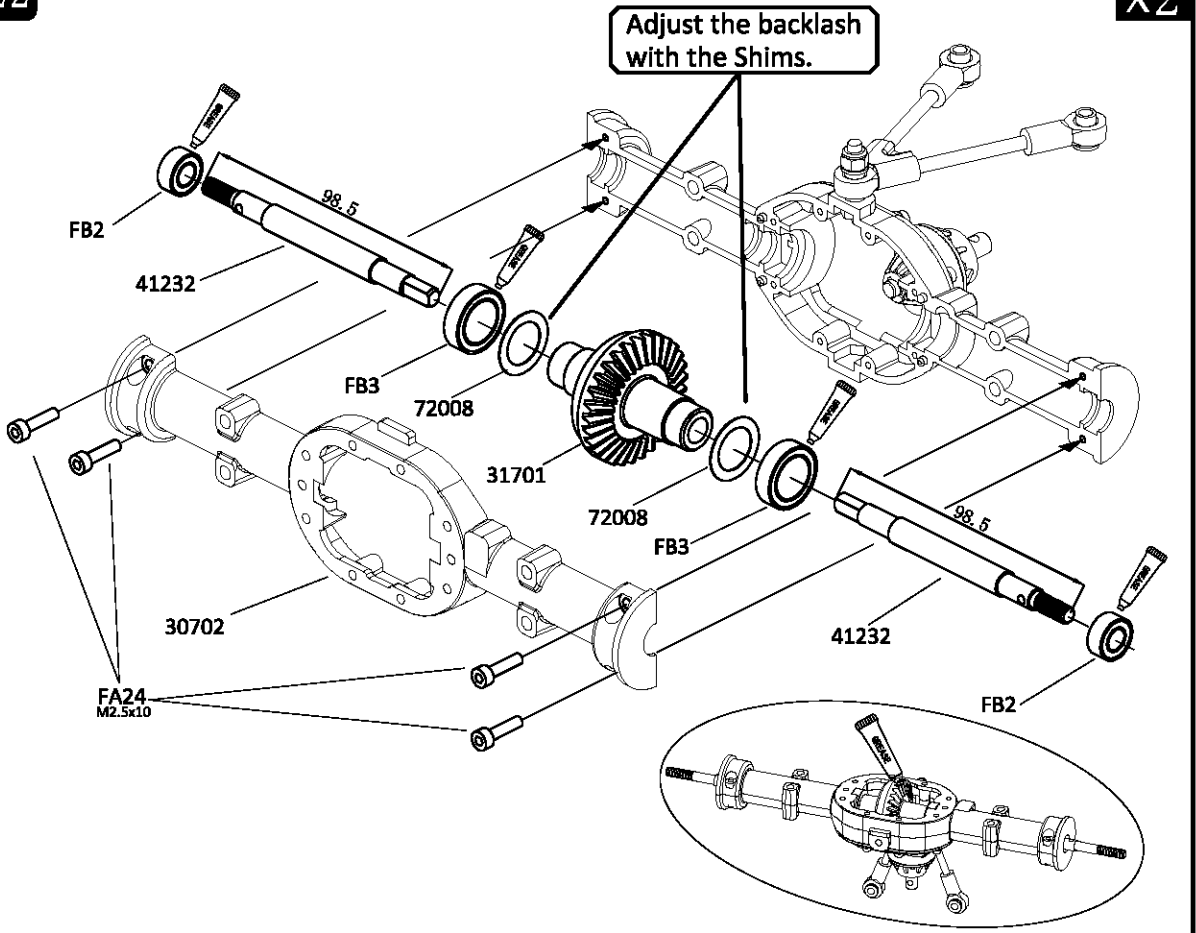
- FA4  M3 X2
- FA8  M4x4 X2
- FA32  M3x16 X2
- FB2   $\phi 5 \times 10 \times 4$  X4
- FC2   $\phi 3.8 \times 9.2 \times 0.6$  X2



22


X2

- FA24  M2.5x10 X8
- FB2   $\phi 5 \times 10 \times 4$  X4
- FB3   $\phi 10 \times 15 \times 4$  X4

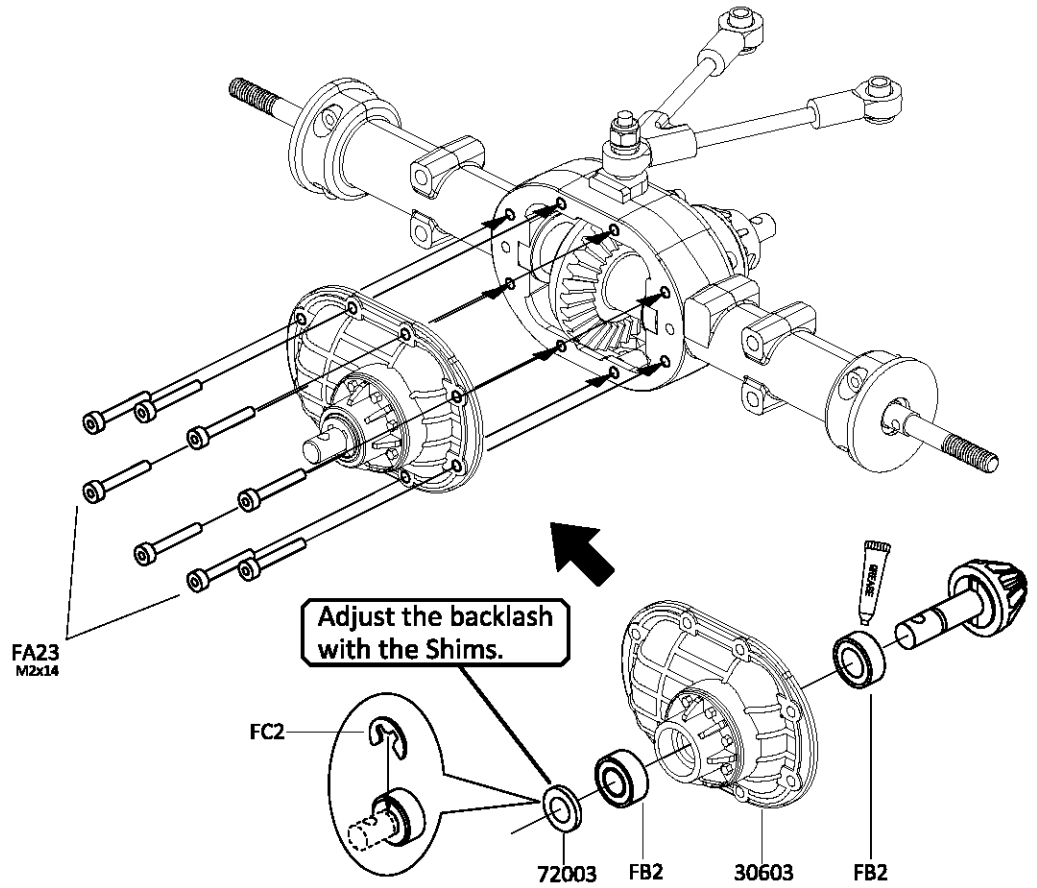


23


FA23   
M2x14 X8

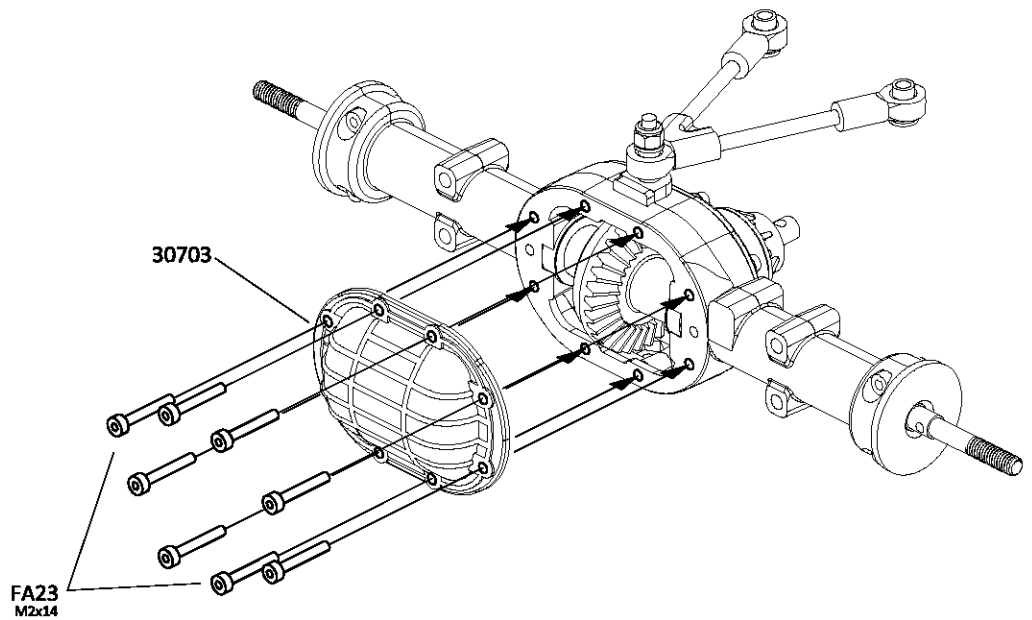
FB2   
ø5xø10x4 X2

FC2   
ø3.8xø9.2x0.6 X1



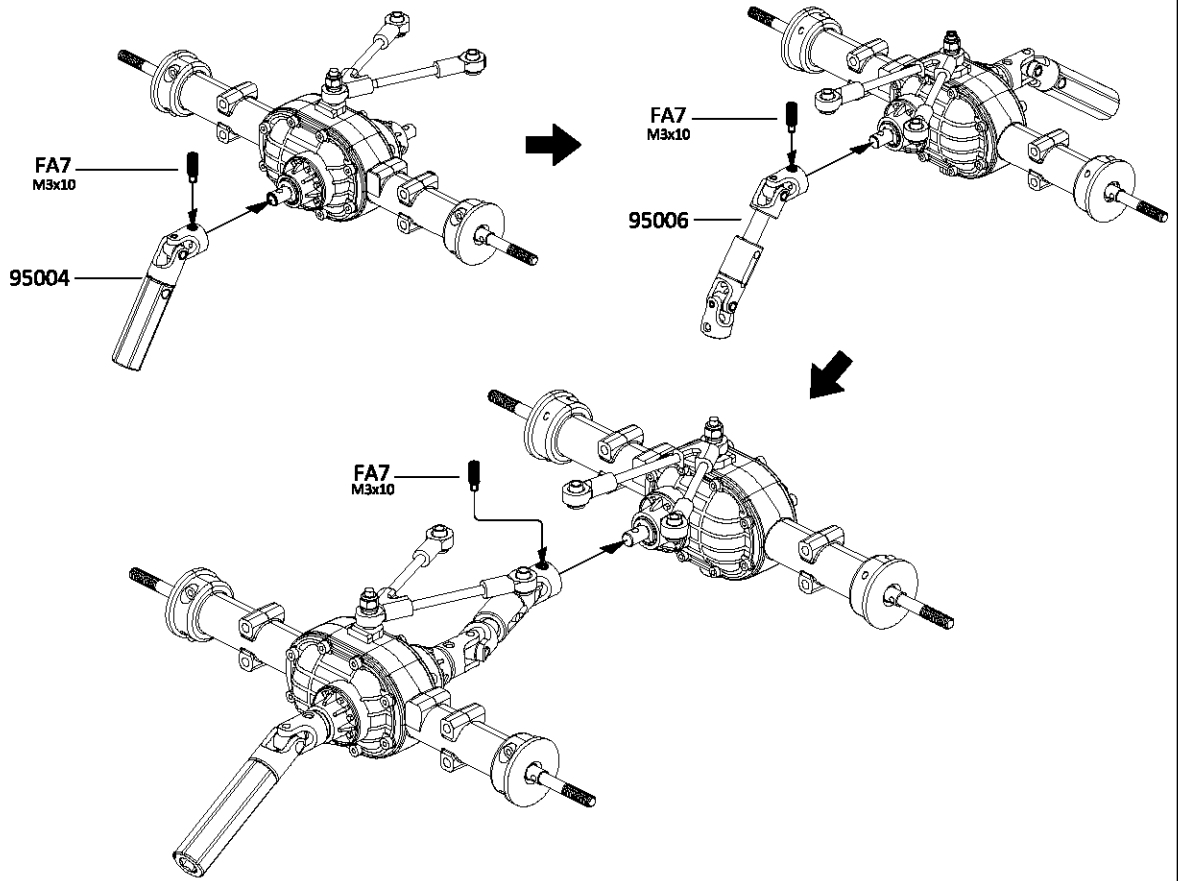
24

FA23   
M2x14 X8



25

FA7  
M3x10 X3



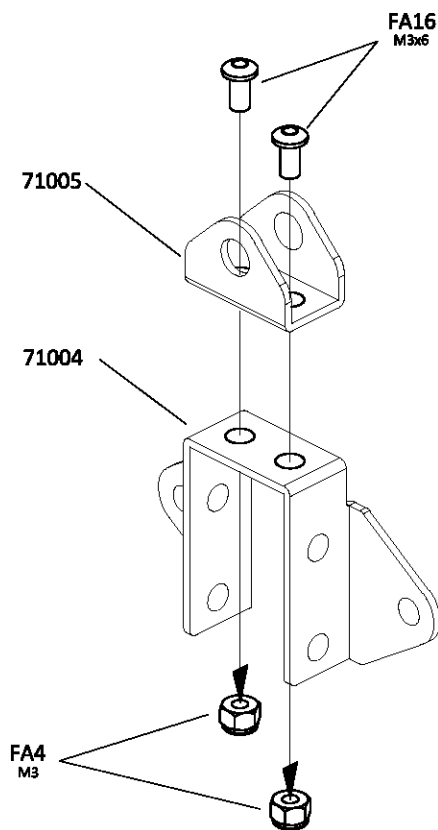
26

X4

FA4  
M3 X8

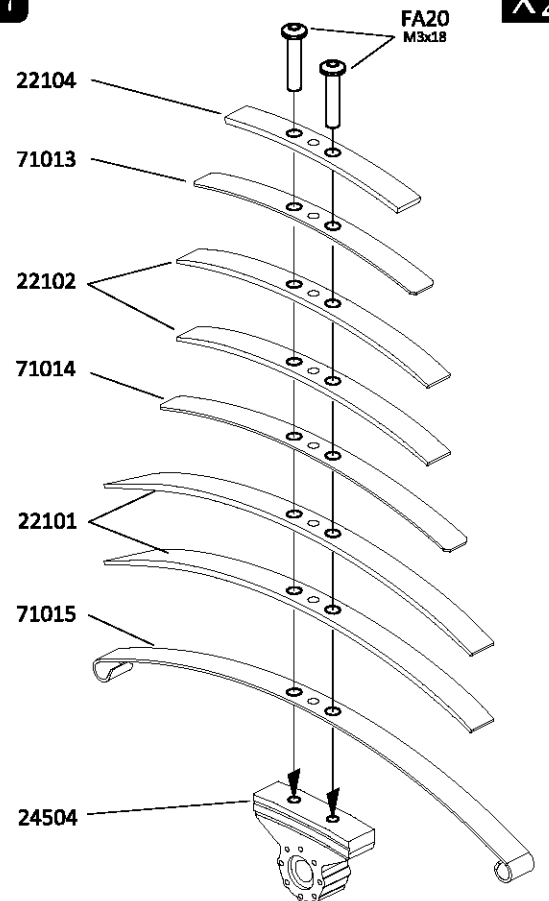
FA16  
M3x6 X8

FA20  
M3x18 X4



27

X2





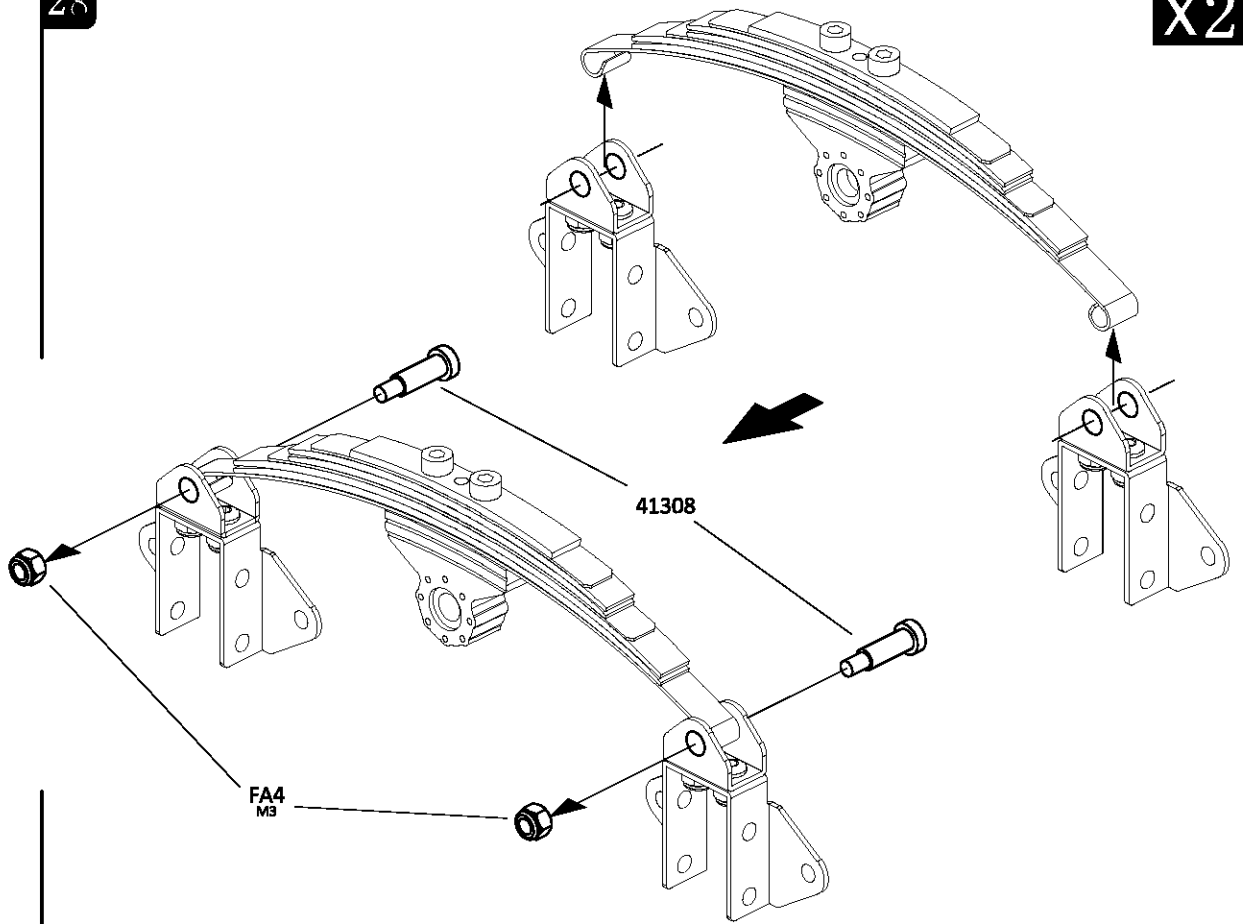
28

X2

FA4



M3 X4



29

FA17

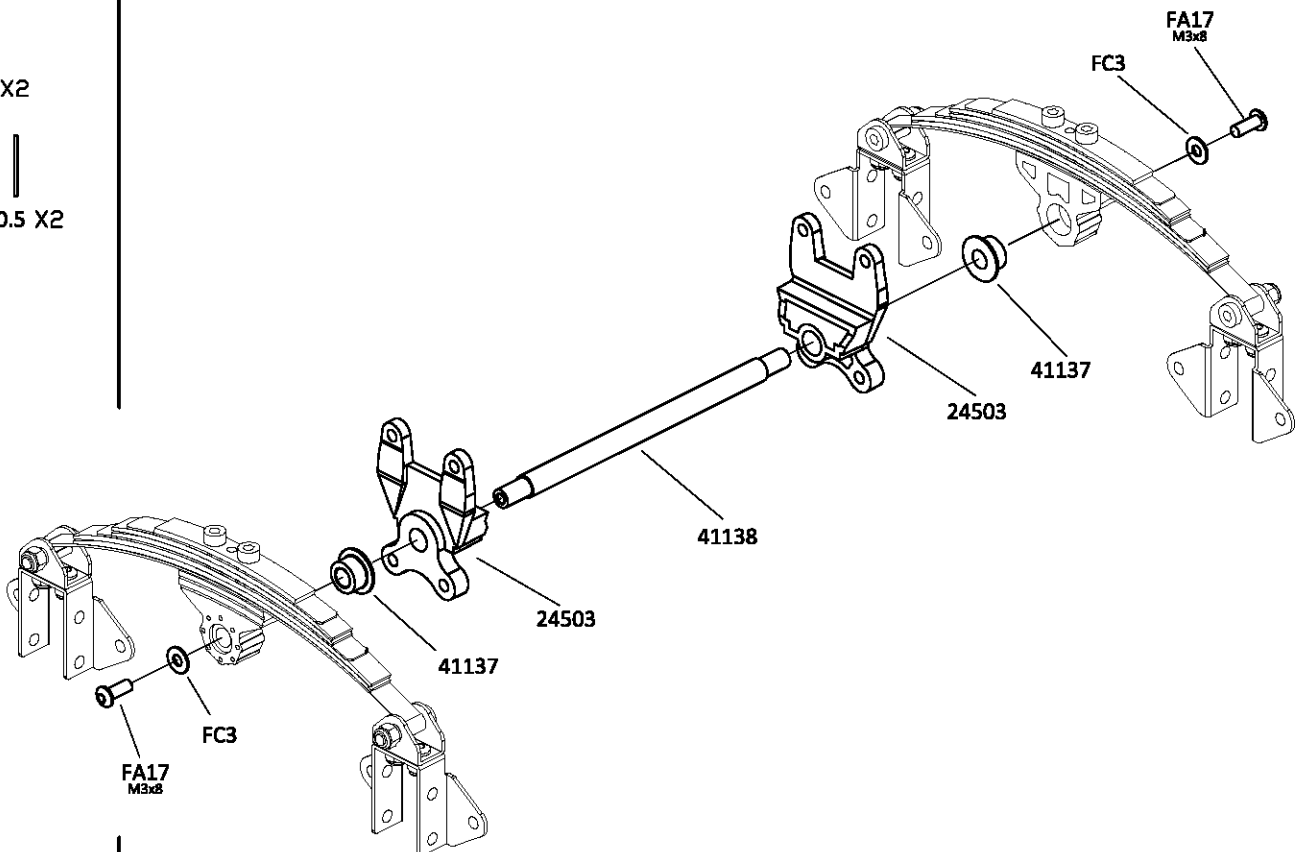


M3x8 X2

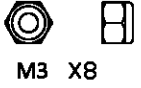
FC3

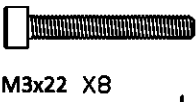


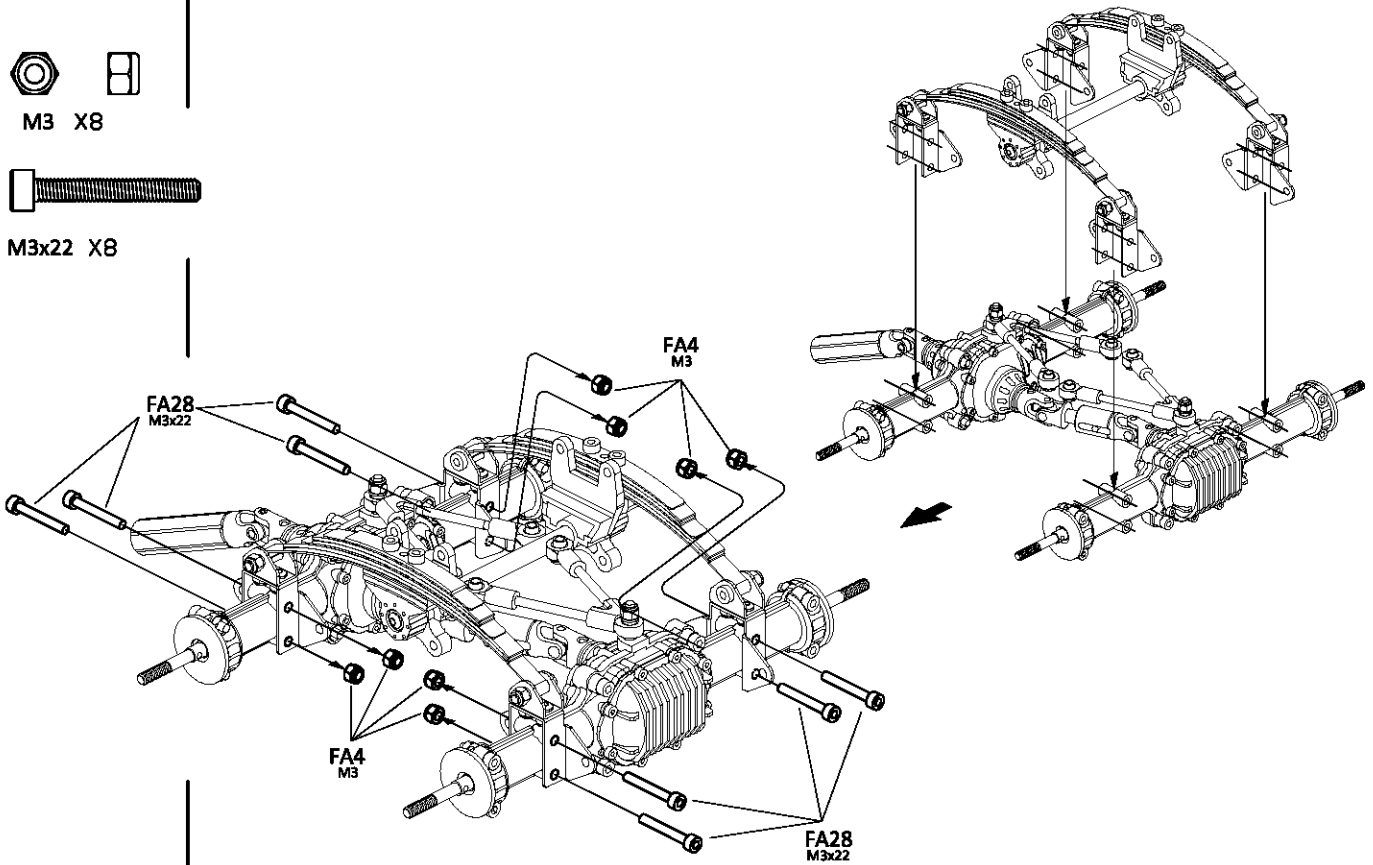
φ3xφ7x0.5 X2



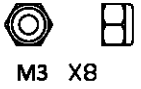
30

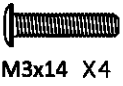
FA4   
M3 X8

FA28   
M3x22 X8

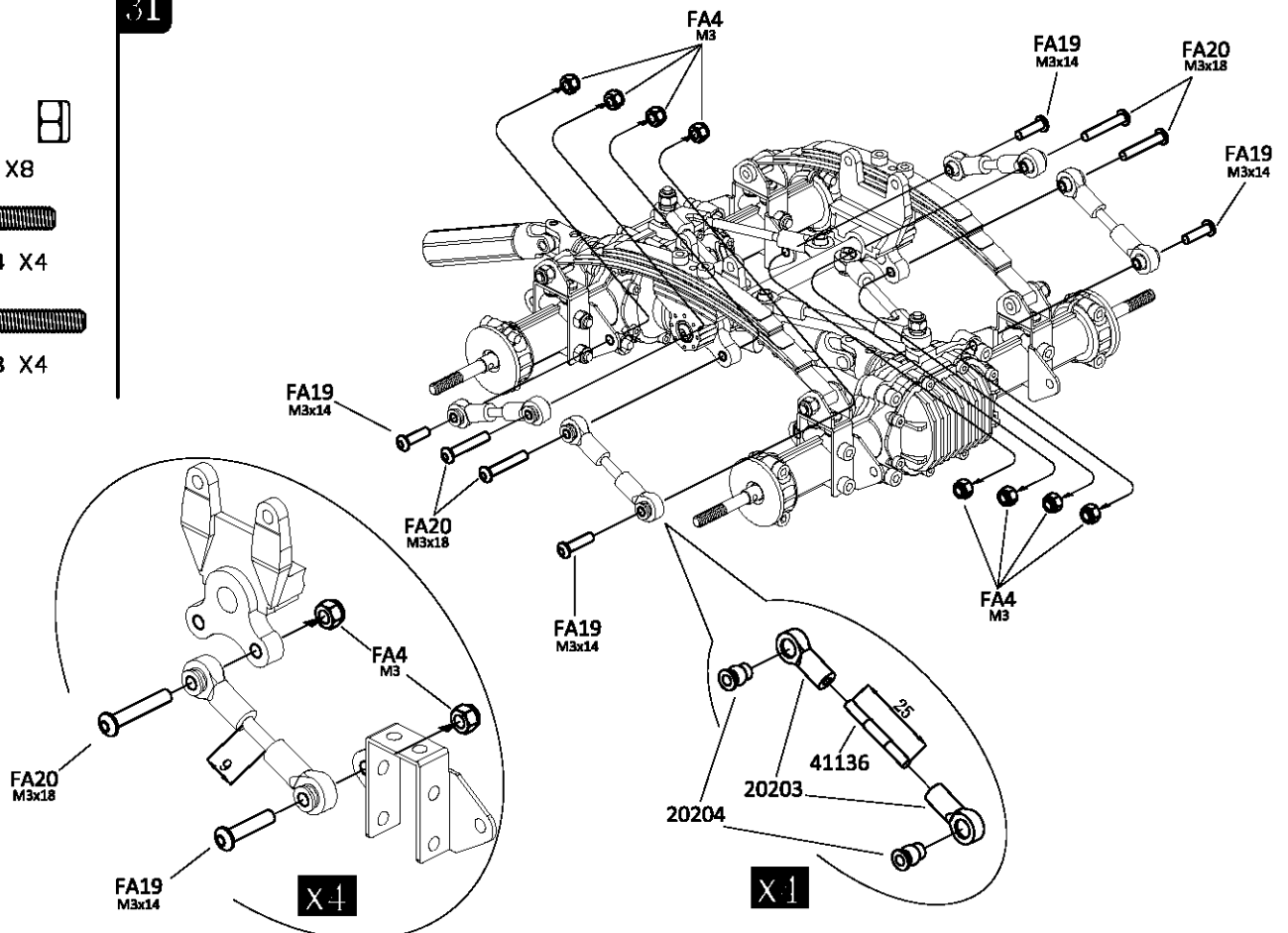


31


FA4   
M3 X8


FA19   
M3x14 X4

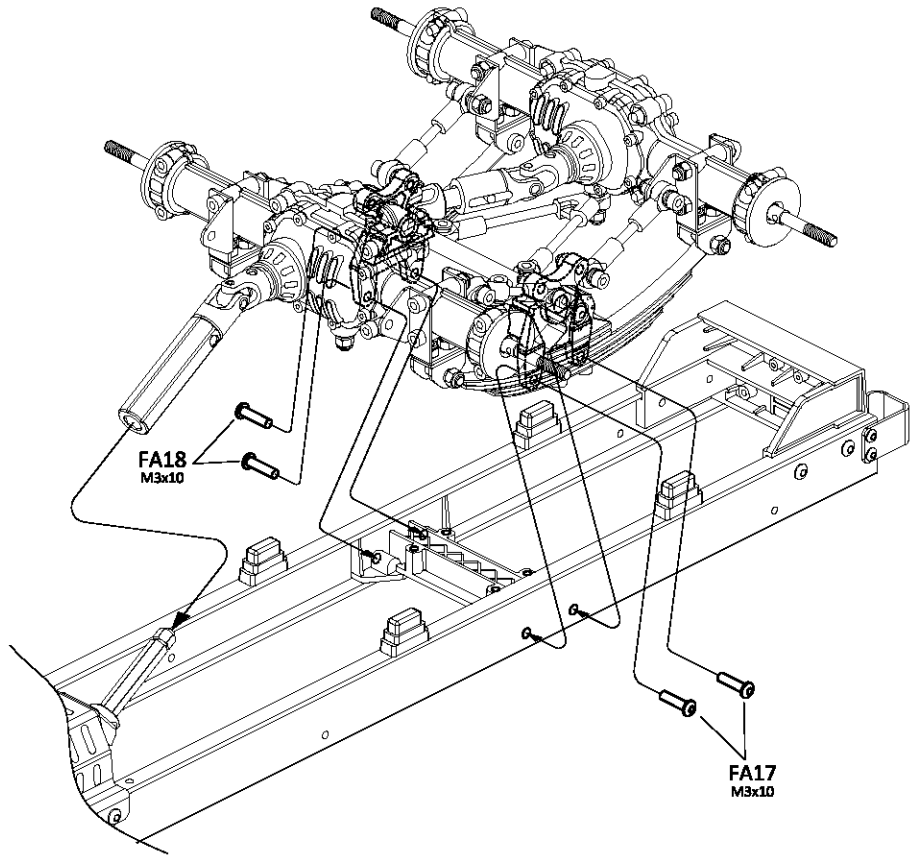
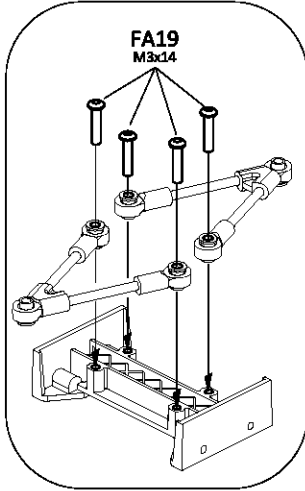
FA20   
M3x18 X4



32


FA18   
M3x10 X4

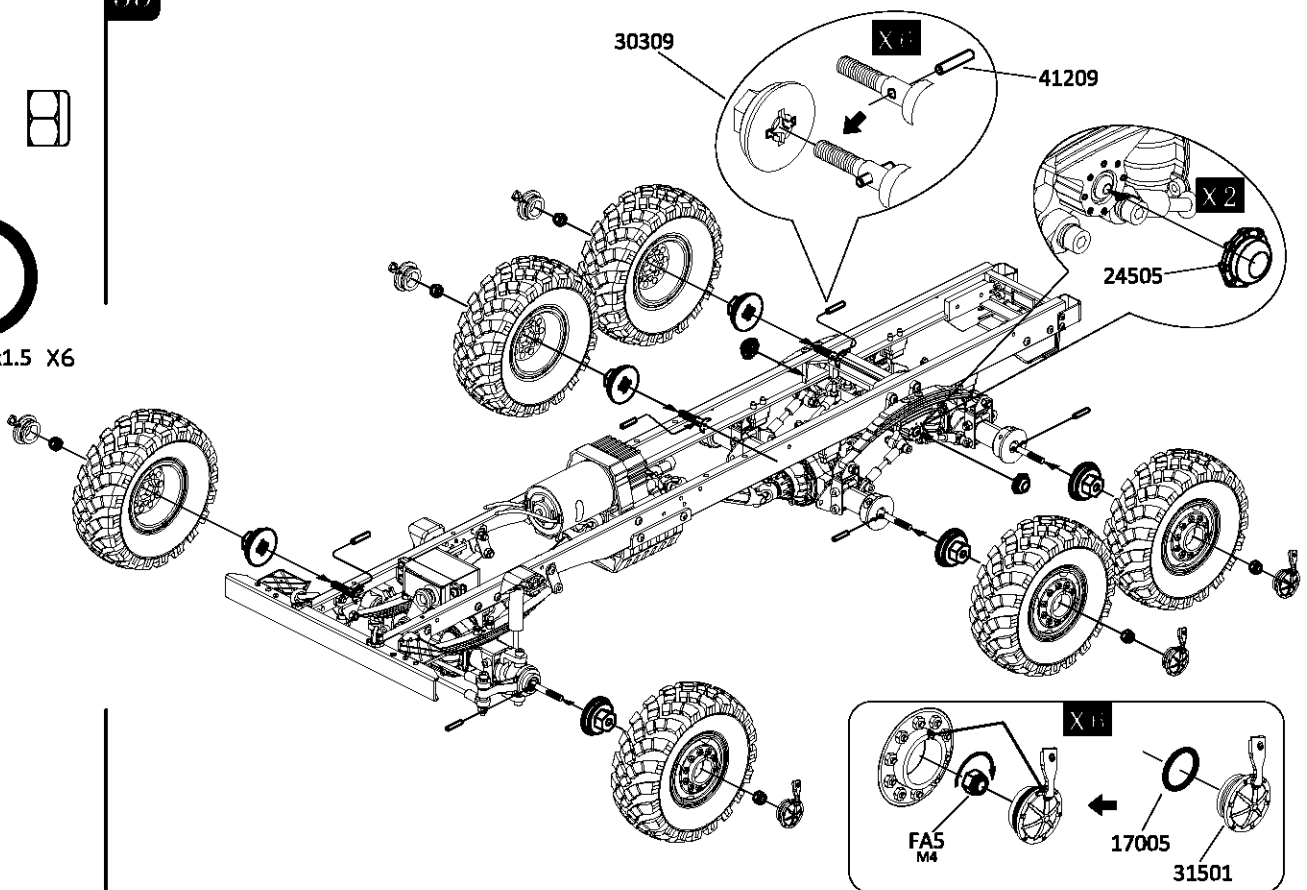
FA19   
M3x14 X4



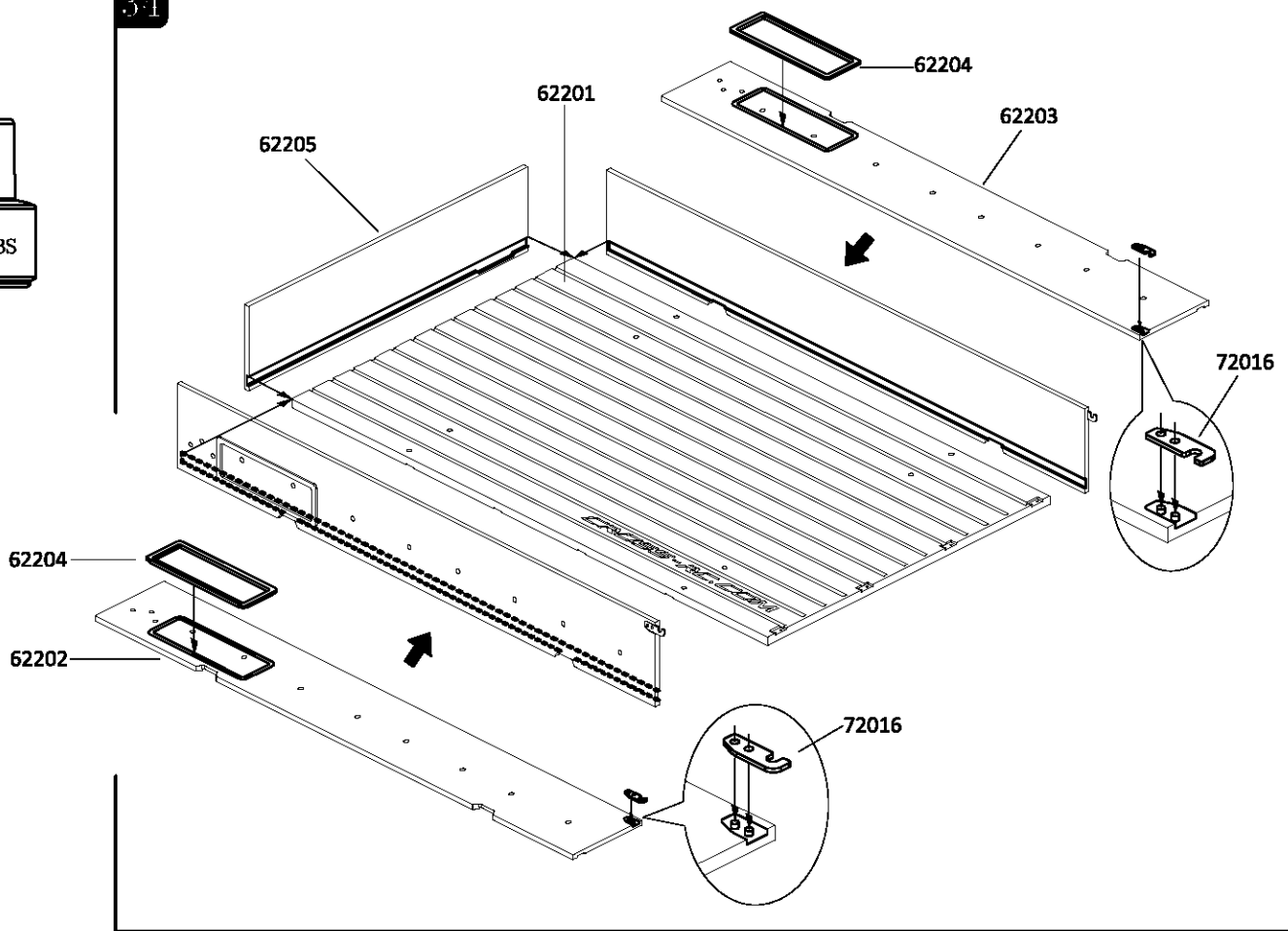
33

FA5    
M4 X6

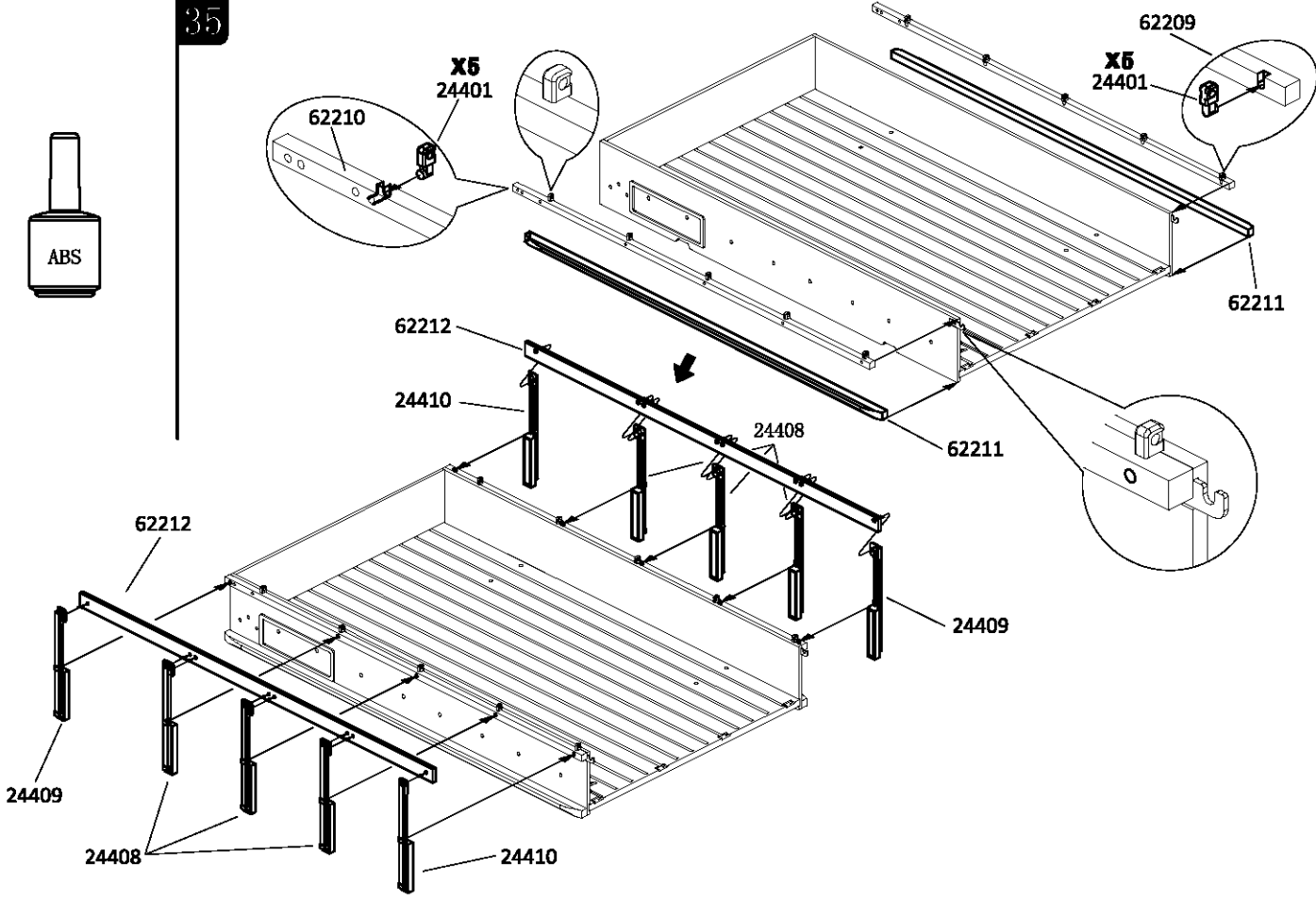
17005   
ø15xø12x1.5 X6



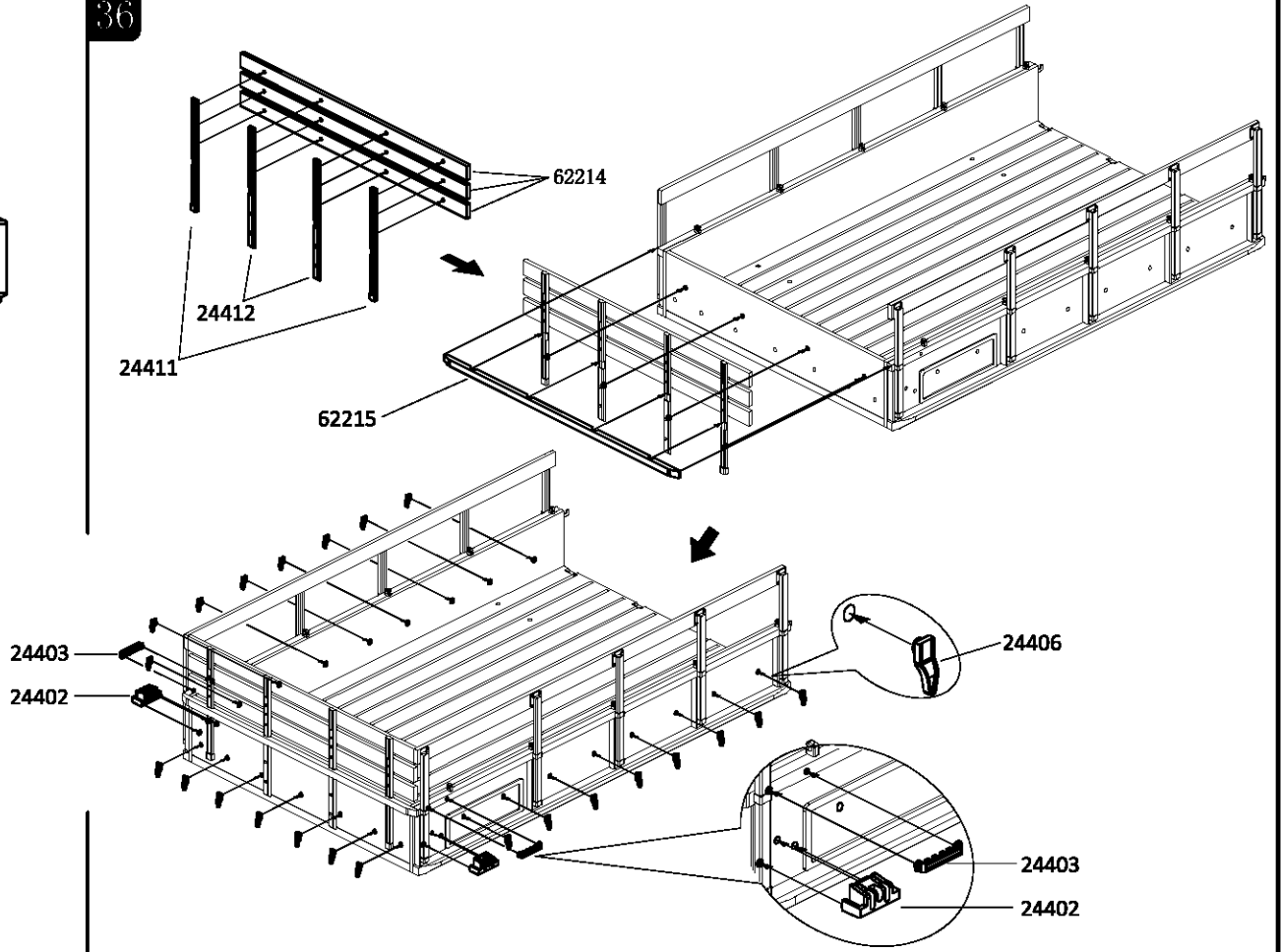
34



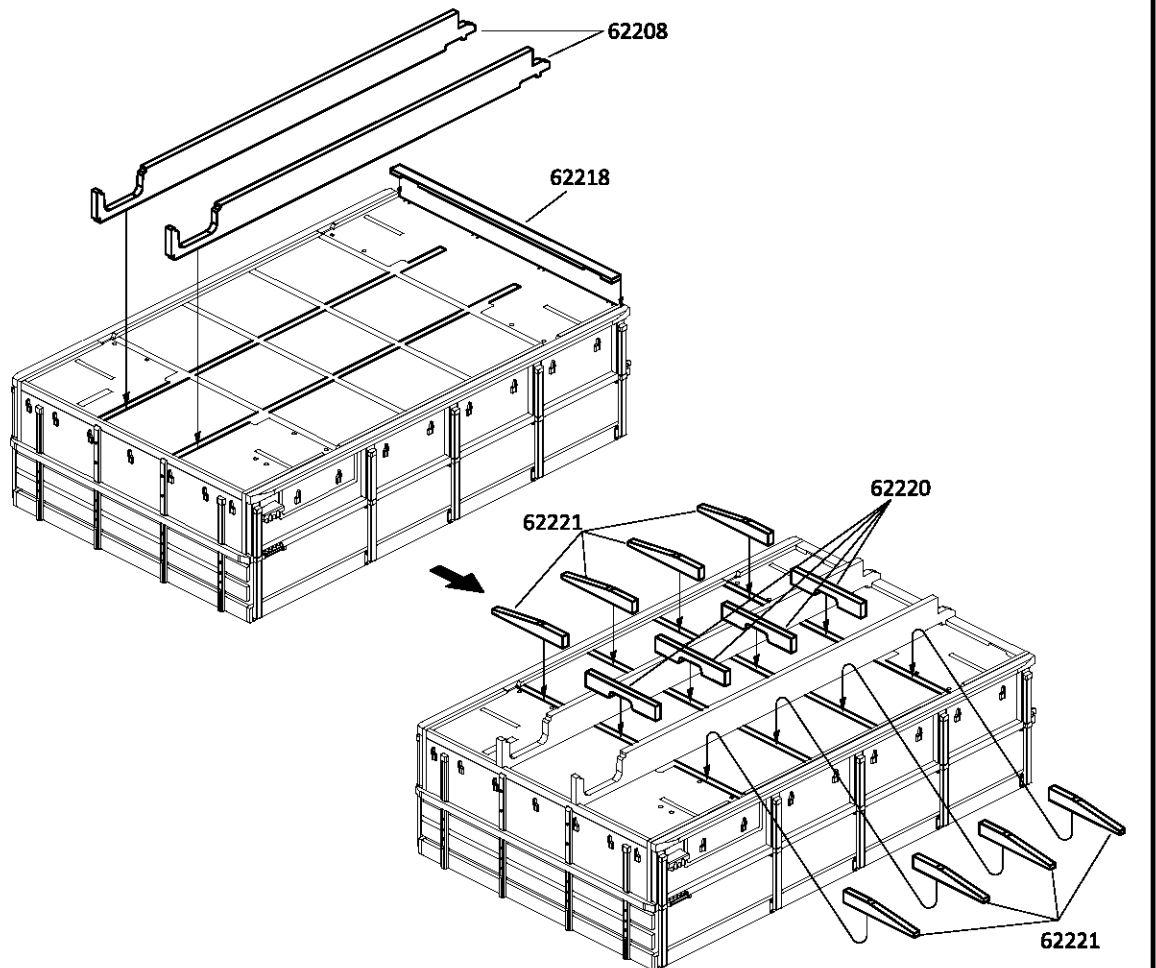
35



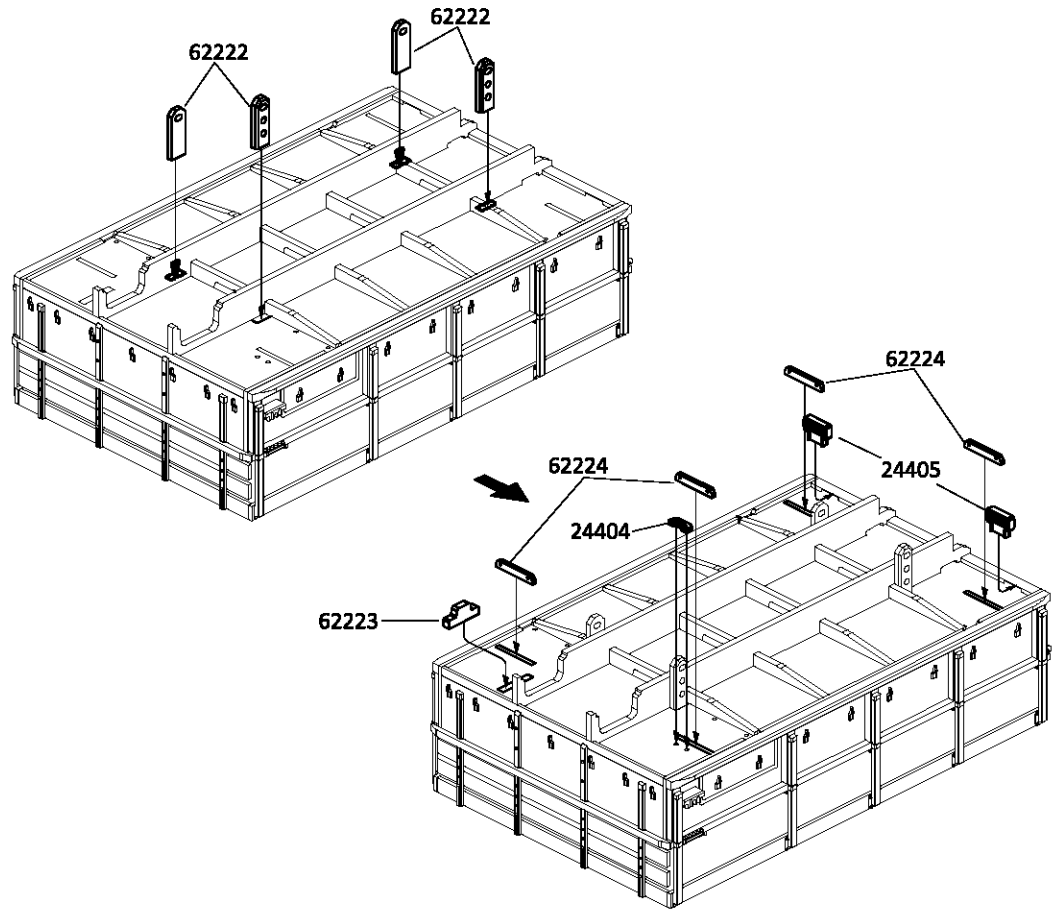
36



37

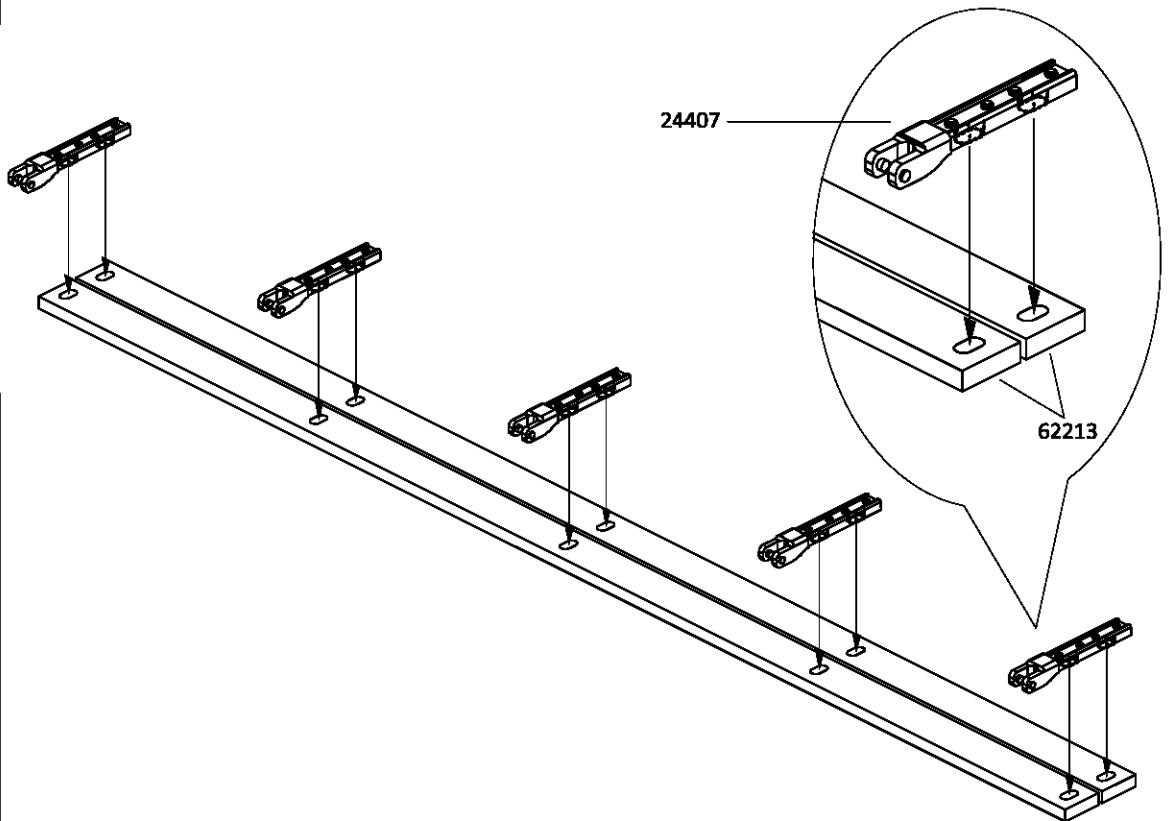


38




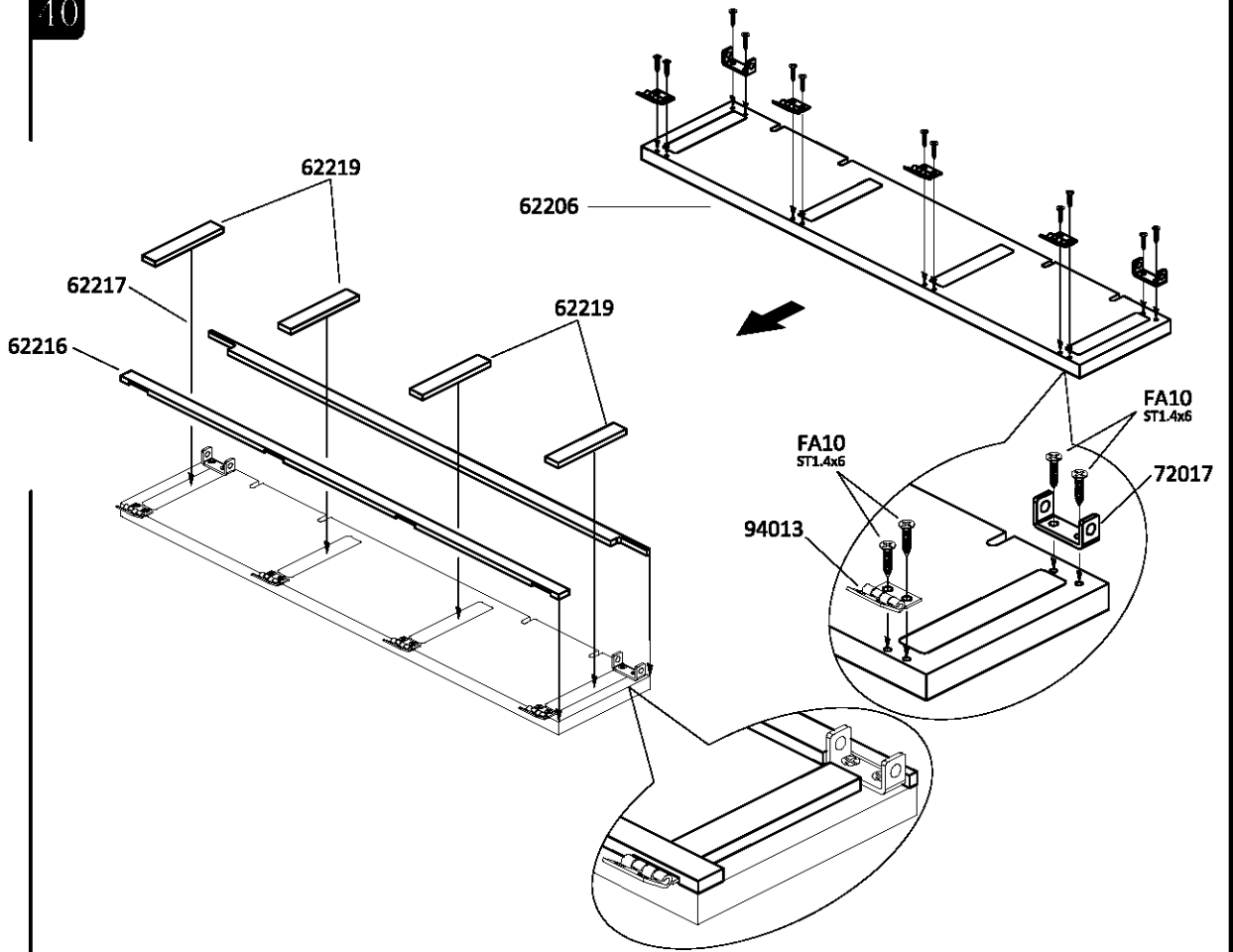
39

x2





10

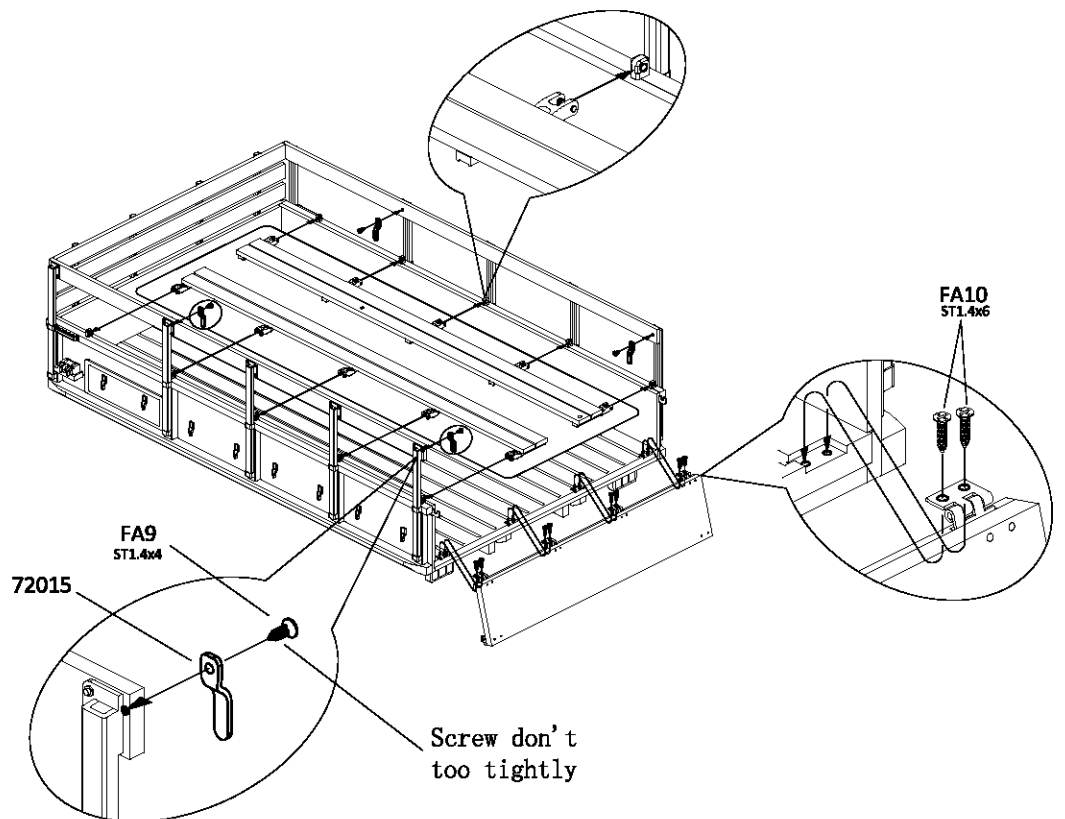
FA10  ST1.4x6 X12




11

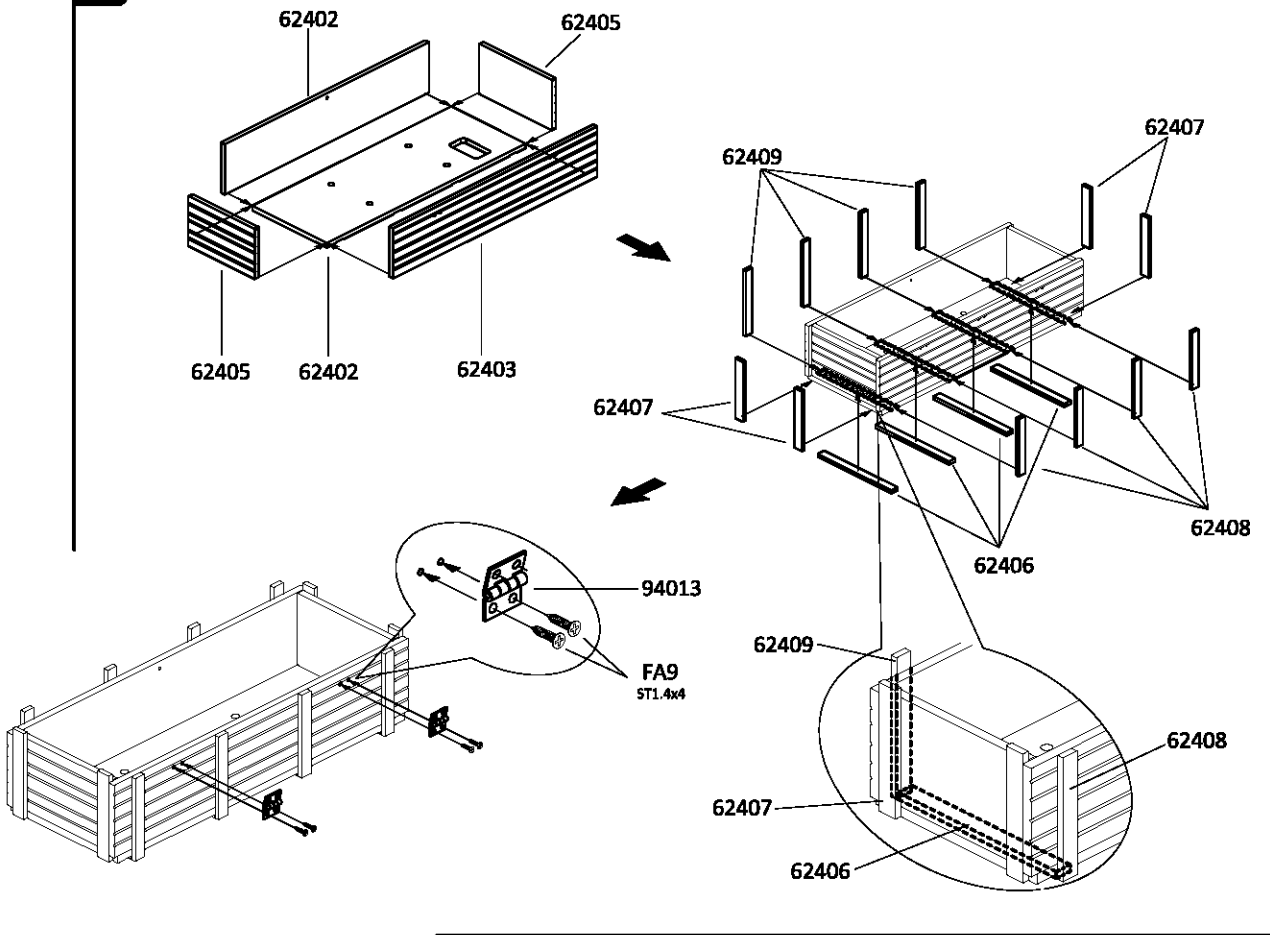
FA9  ST1.4x4 X4

FA10  ST1.4x6 X8




12

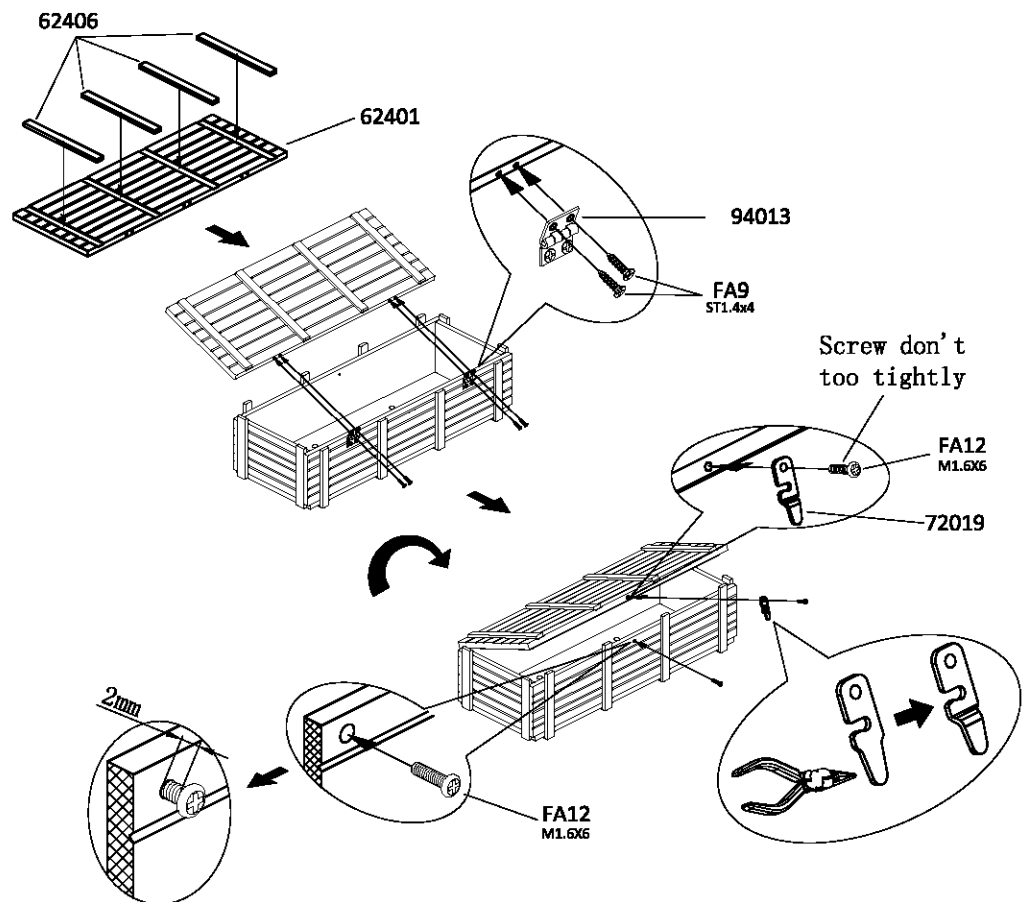
FA9  ST1.4x4 X4



13

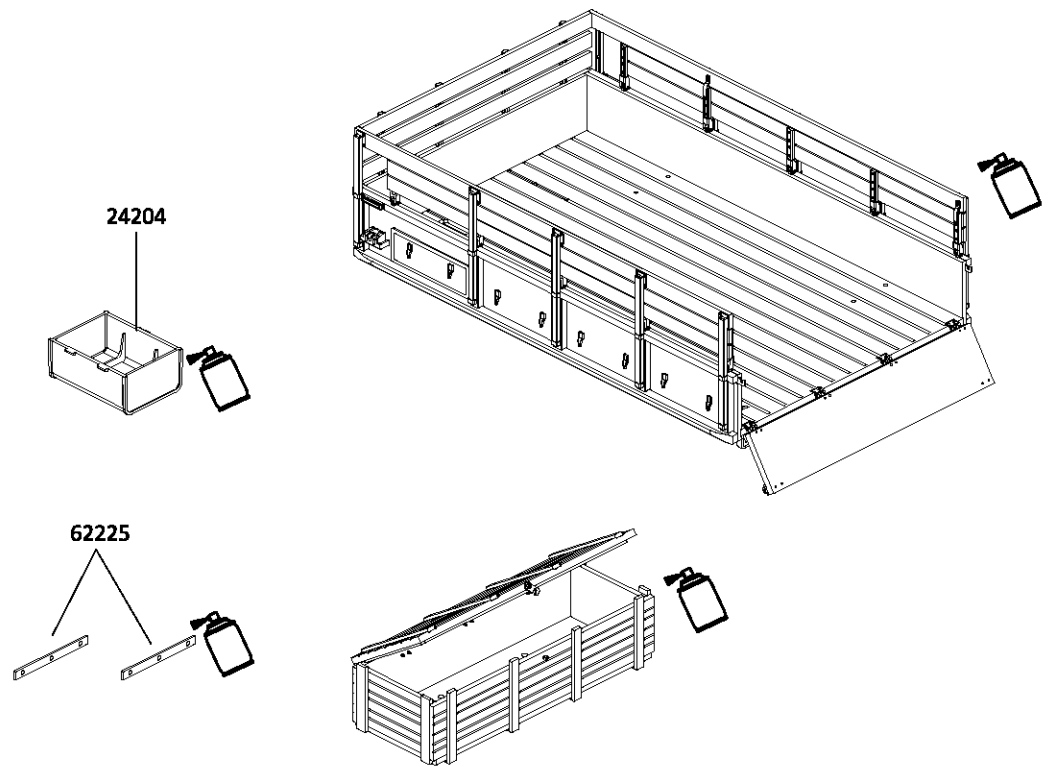
FA9  ST1.4x4 X4

FA12  M1.6x6 X2



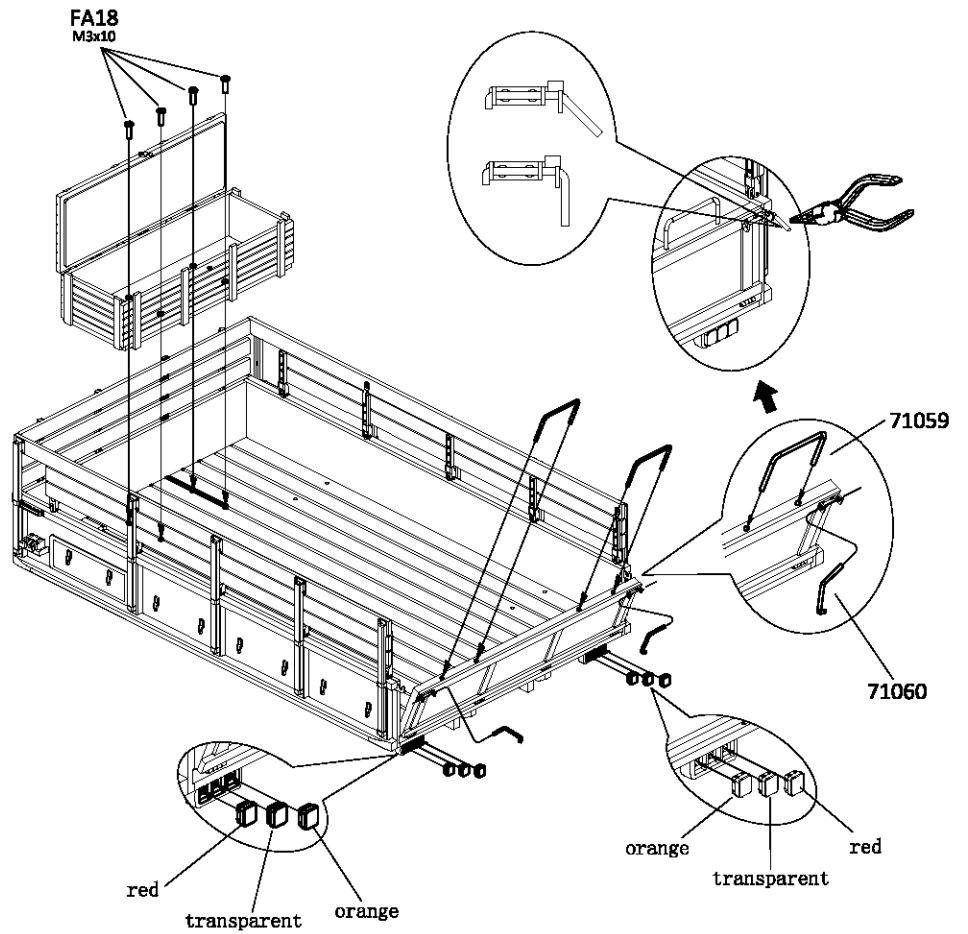
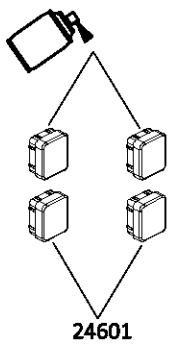


14



15


FA18  
M3x10 X4





16

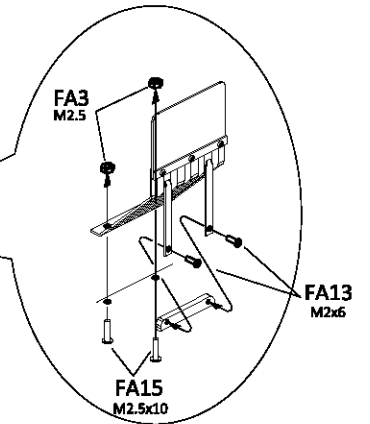
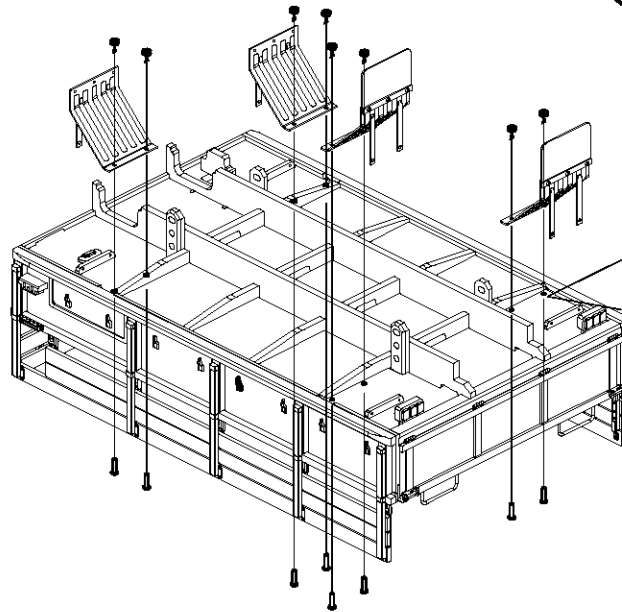
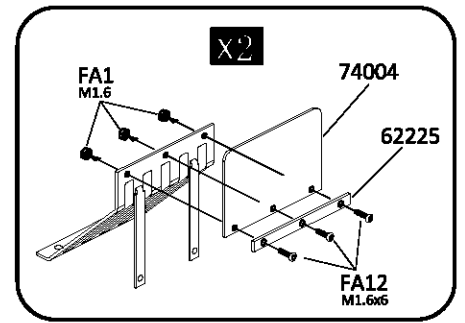
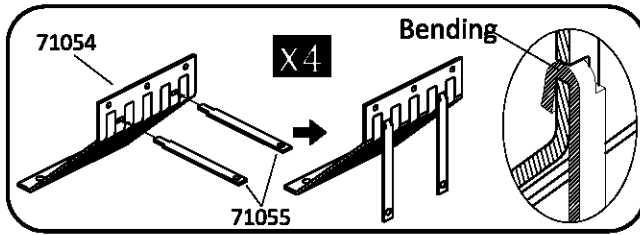
FA1    
M1.6 X6

FA3    
M2.5 X8

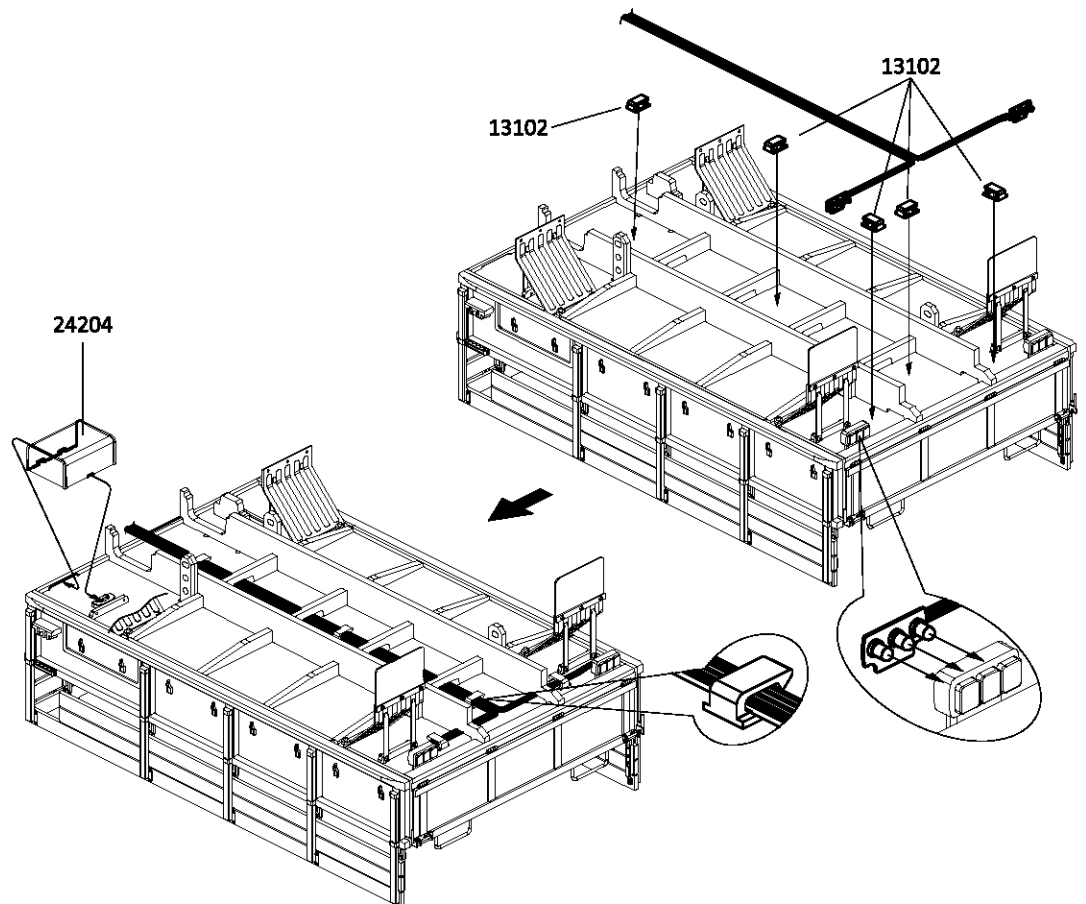
FA12   
M1.6x6 X6

FA13   
M2x6 X8

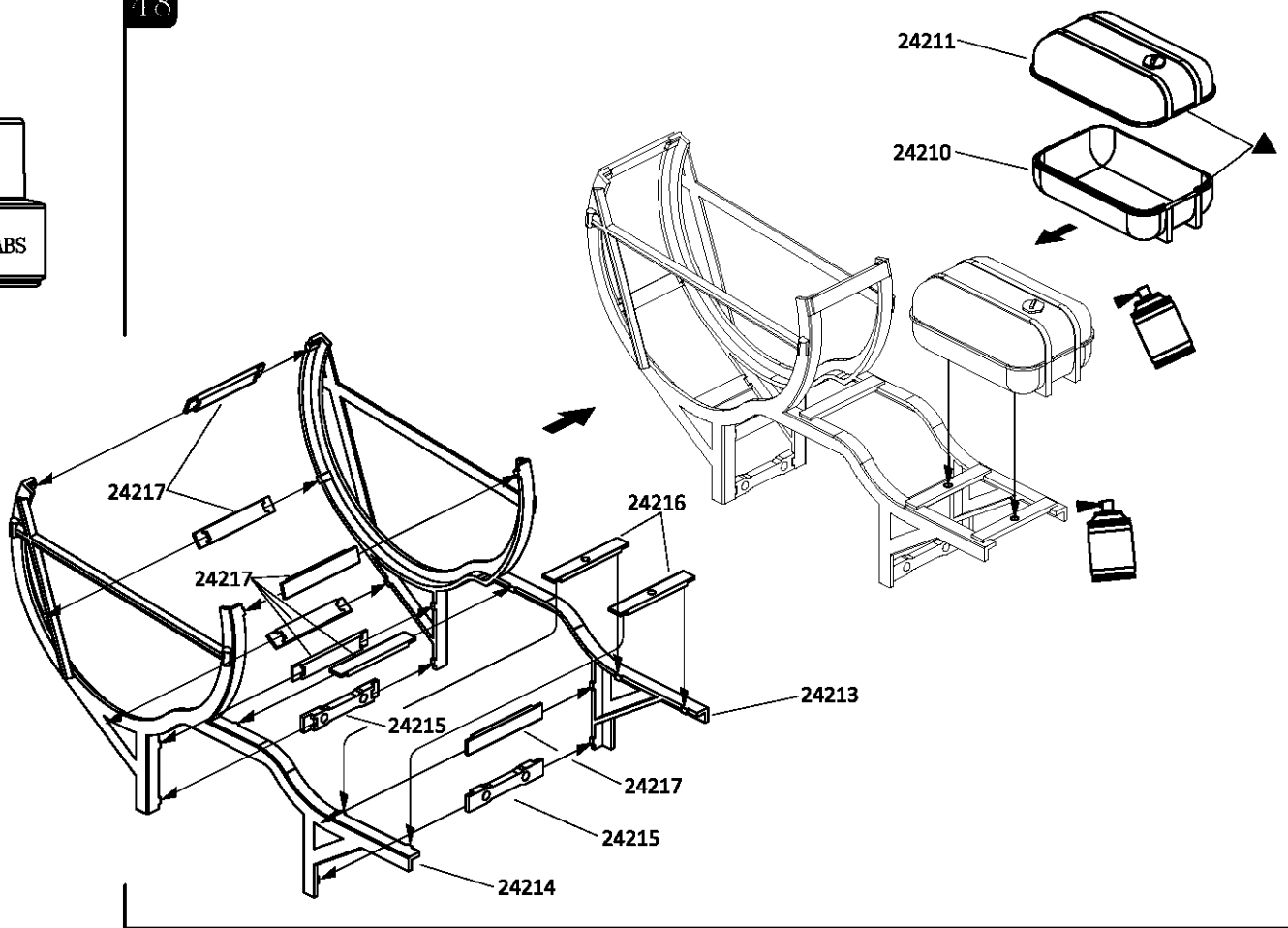
FA15   
M2.5x10 X8



17

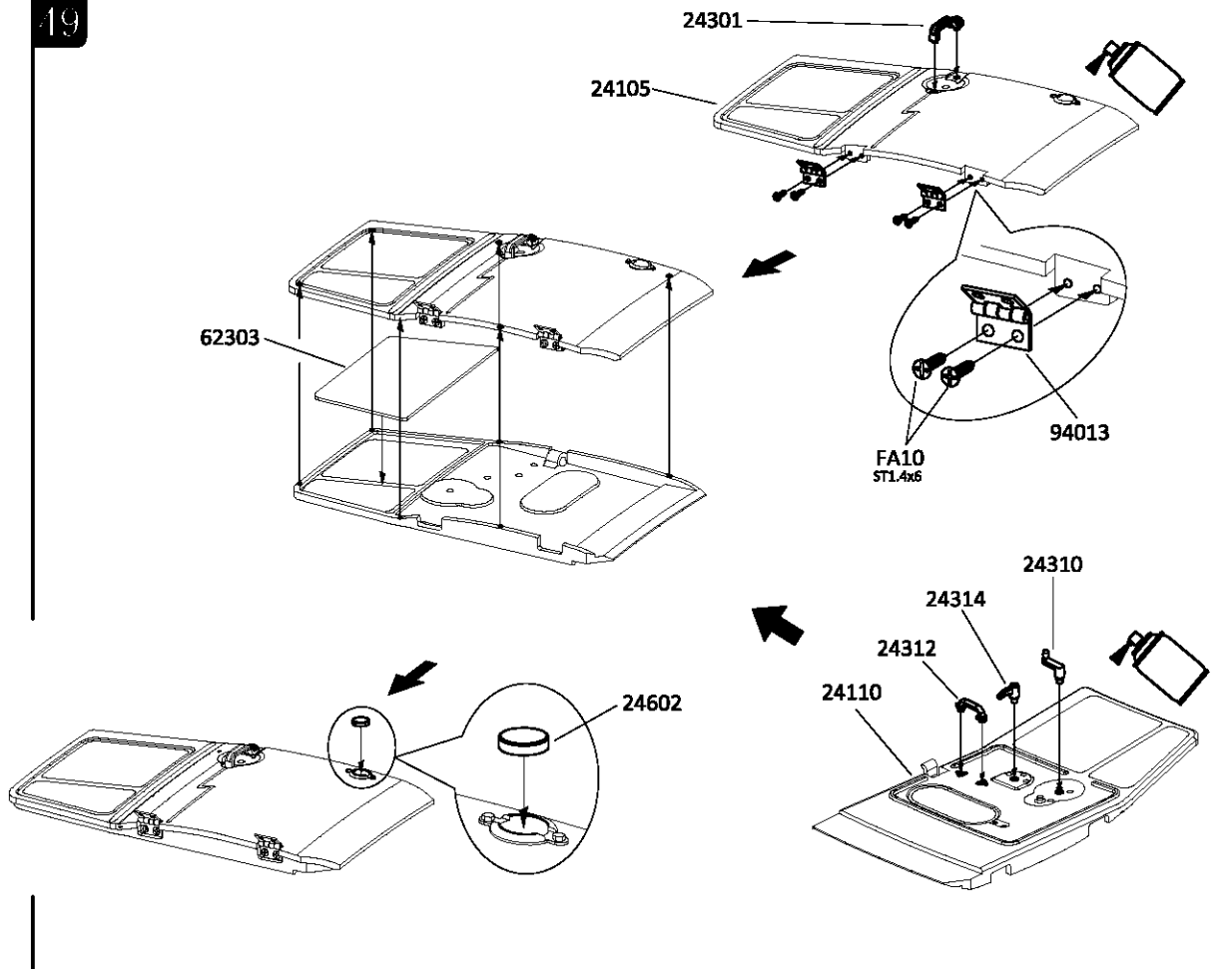
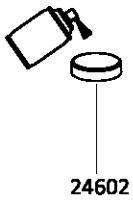


18




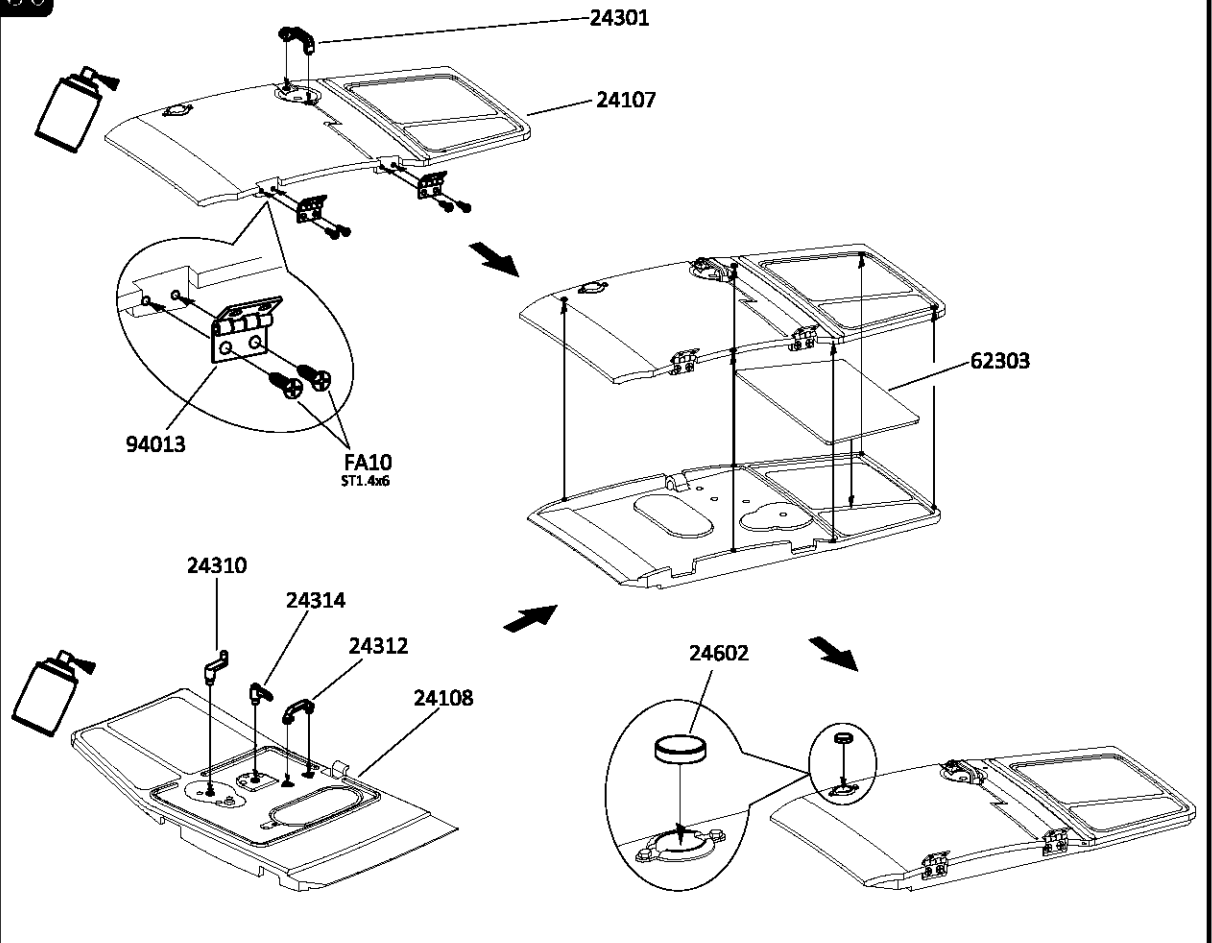
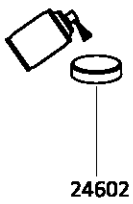
19

FA10 ST1.4x6 X4




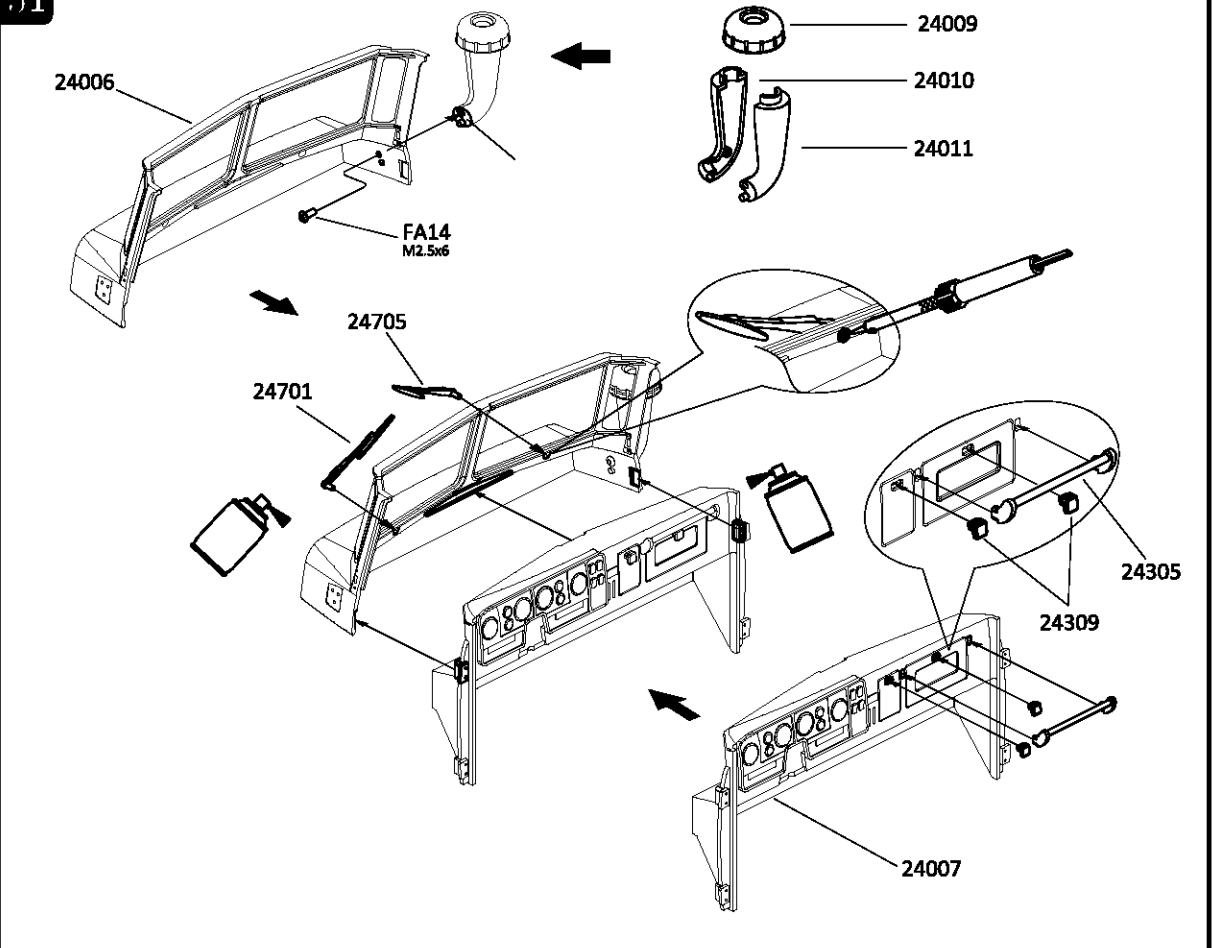
50

FA10  ST1.4x6 X4




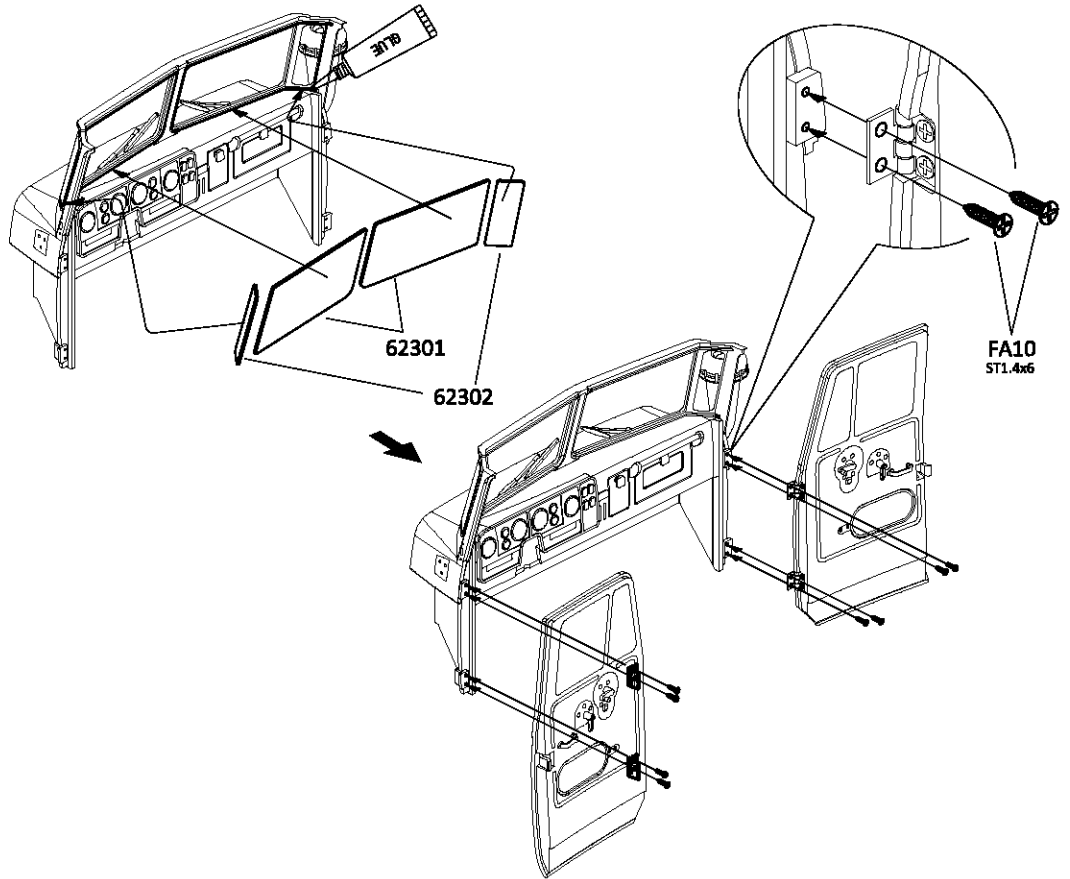
51

FA14  M2.5x6 X1

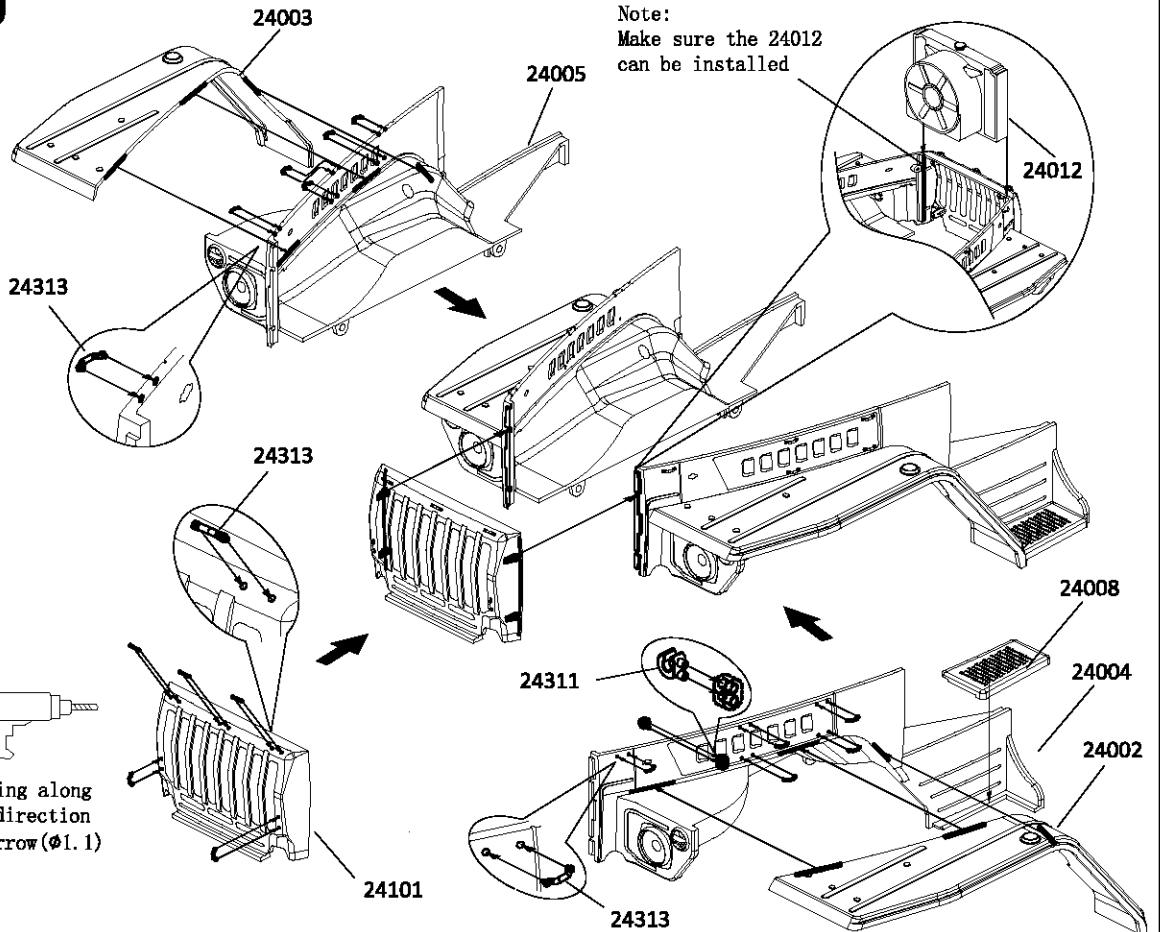


52



FA10   
ST1.4x6 X8

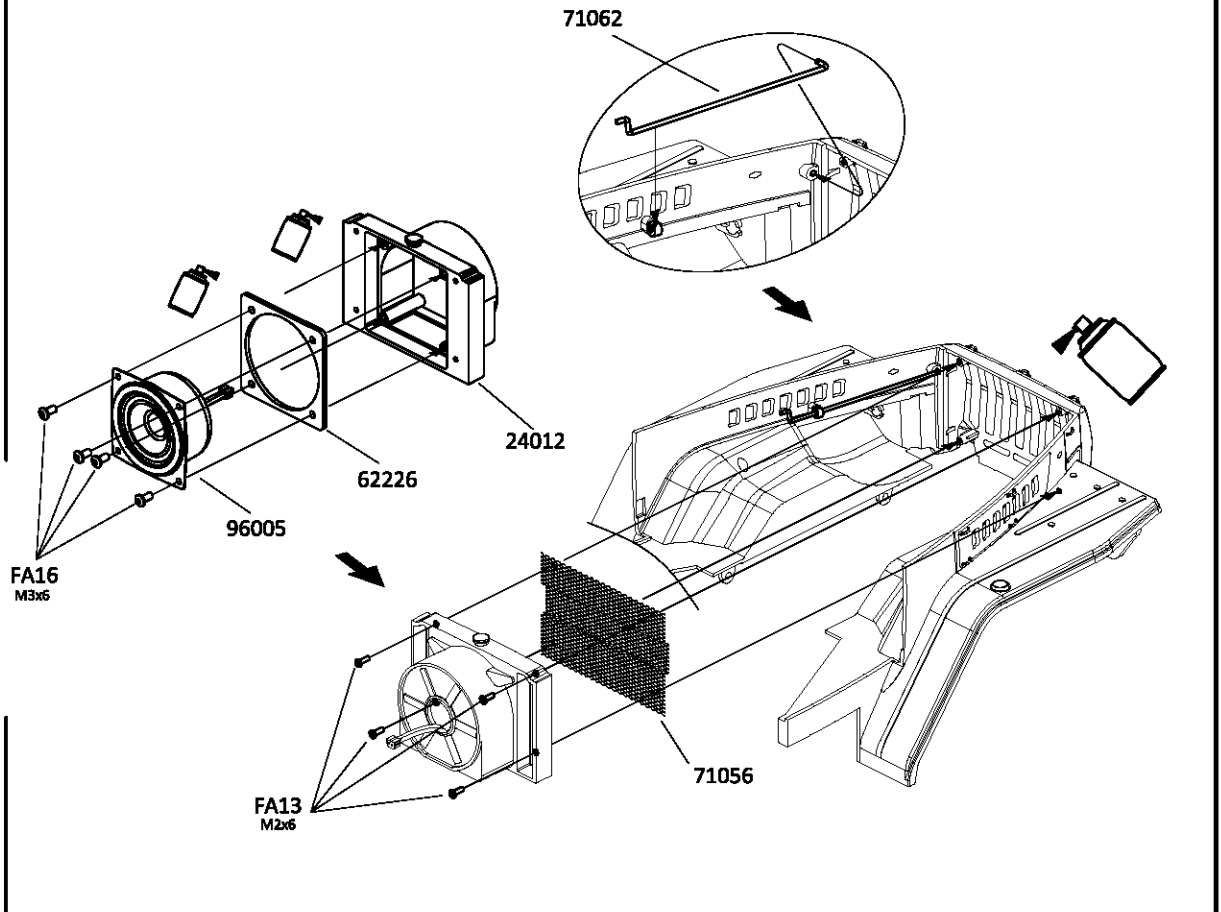


53

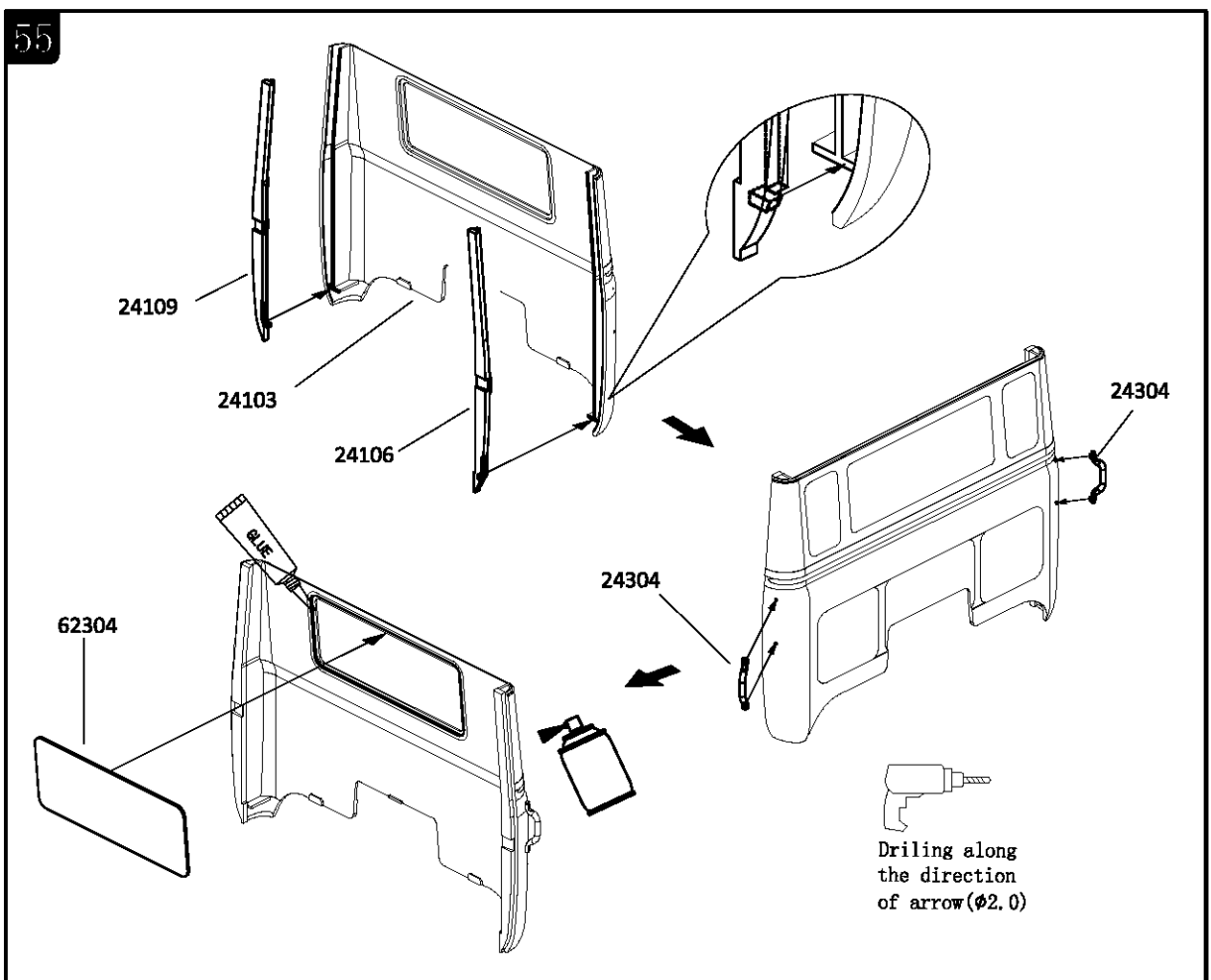


54

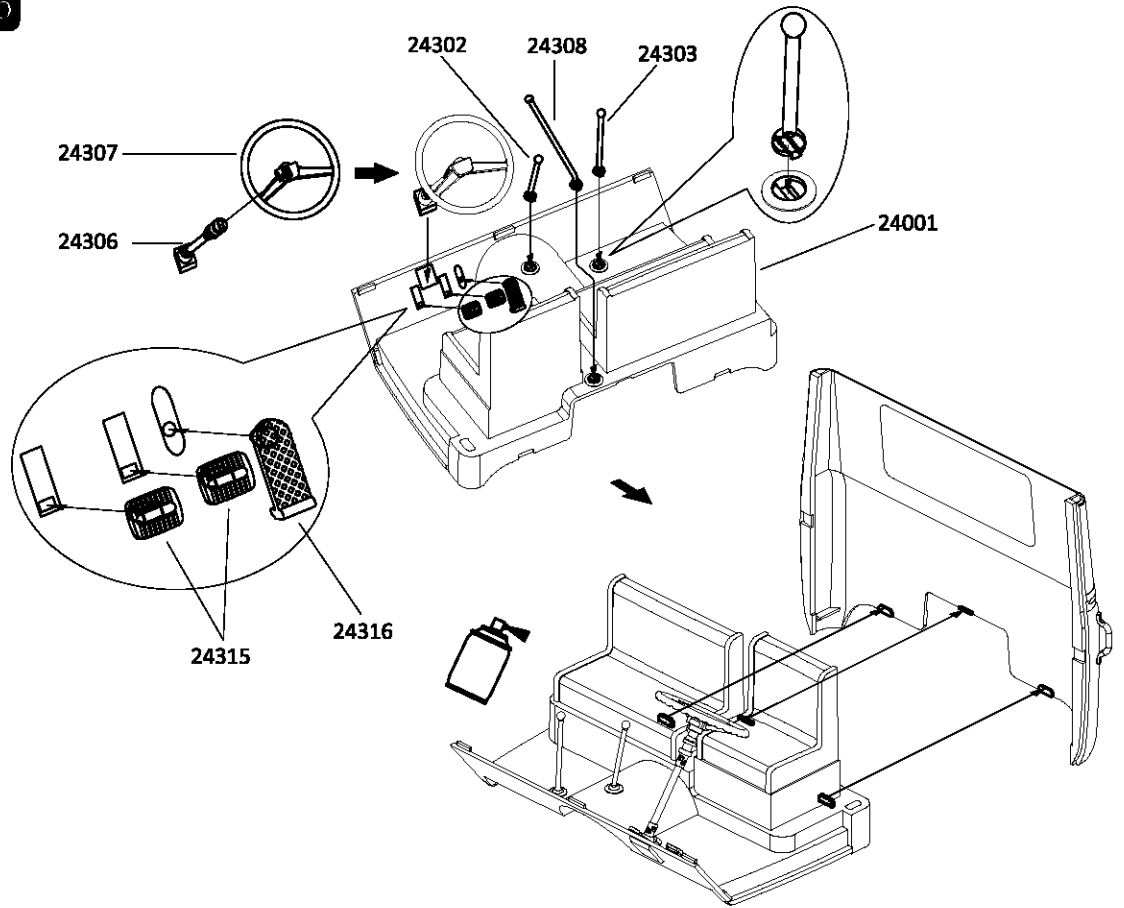
- FA16  M3x6 X4
- FA13  M2x6 X4



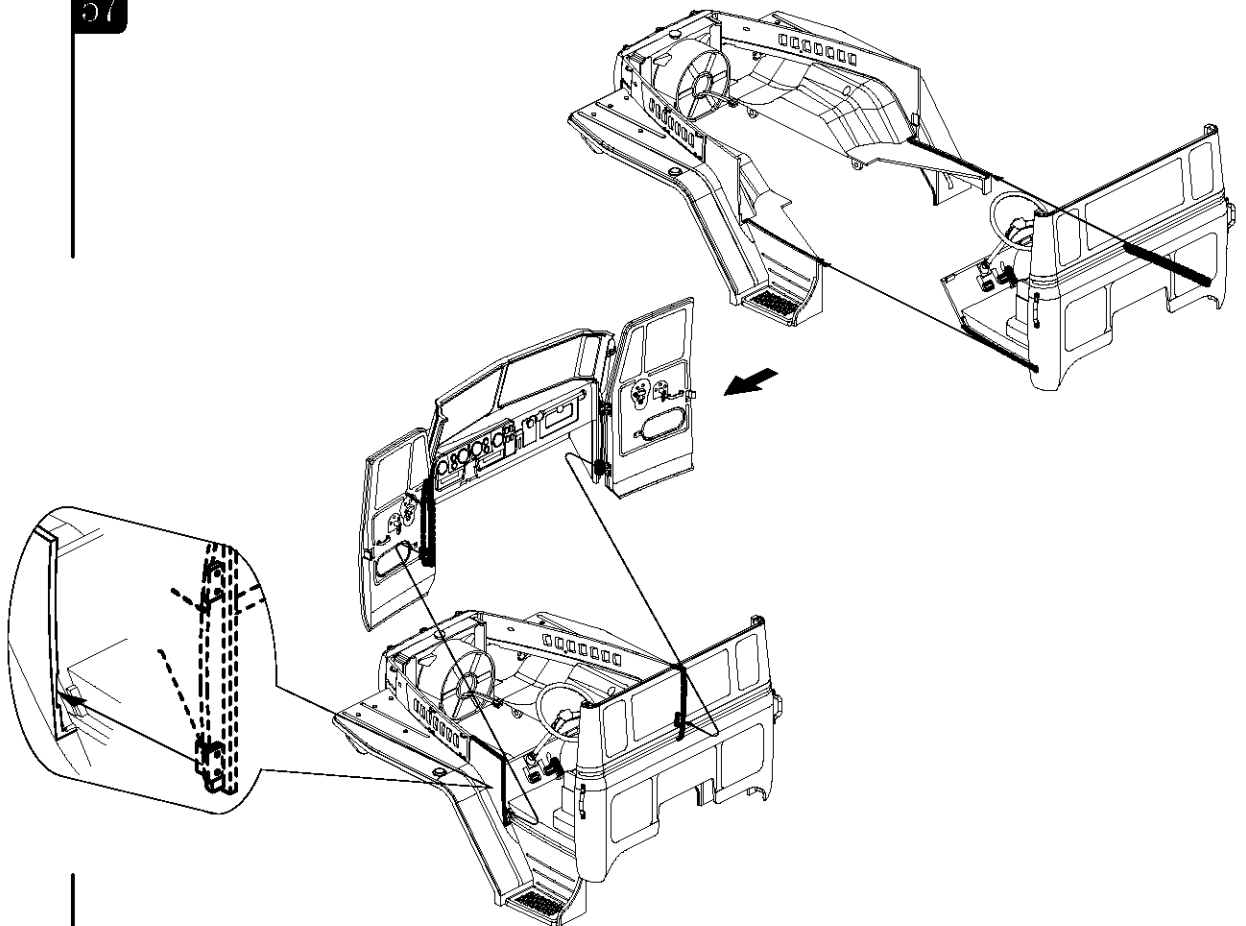
55




56

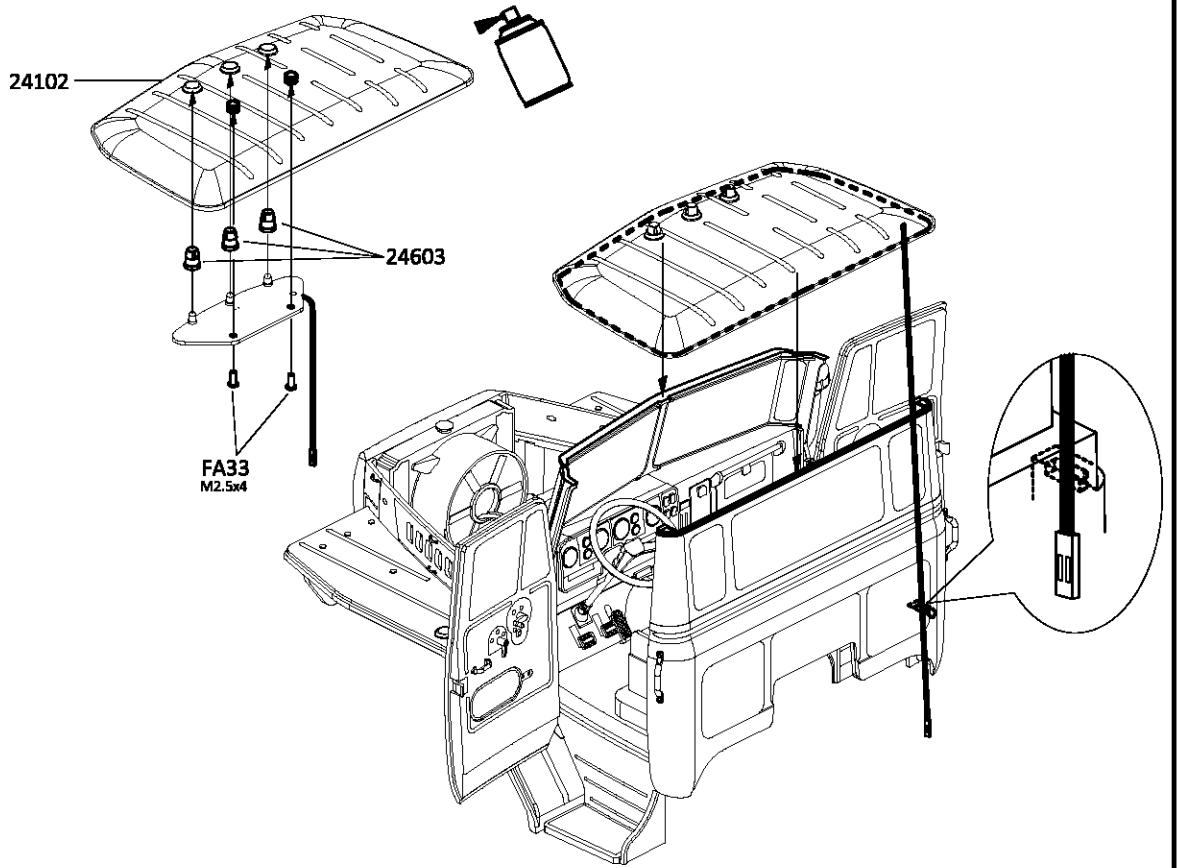
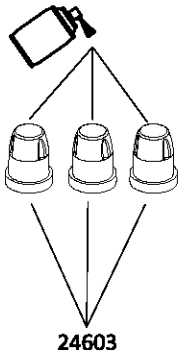


57




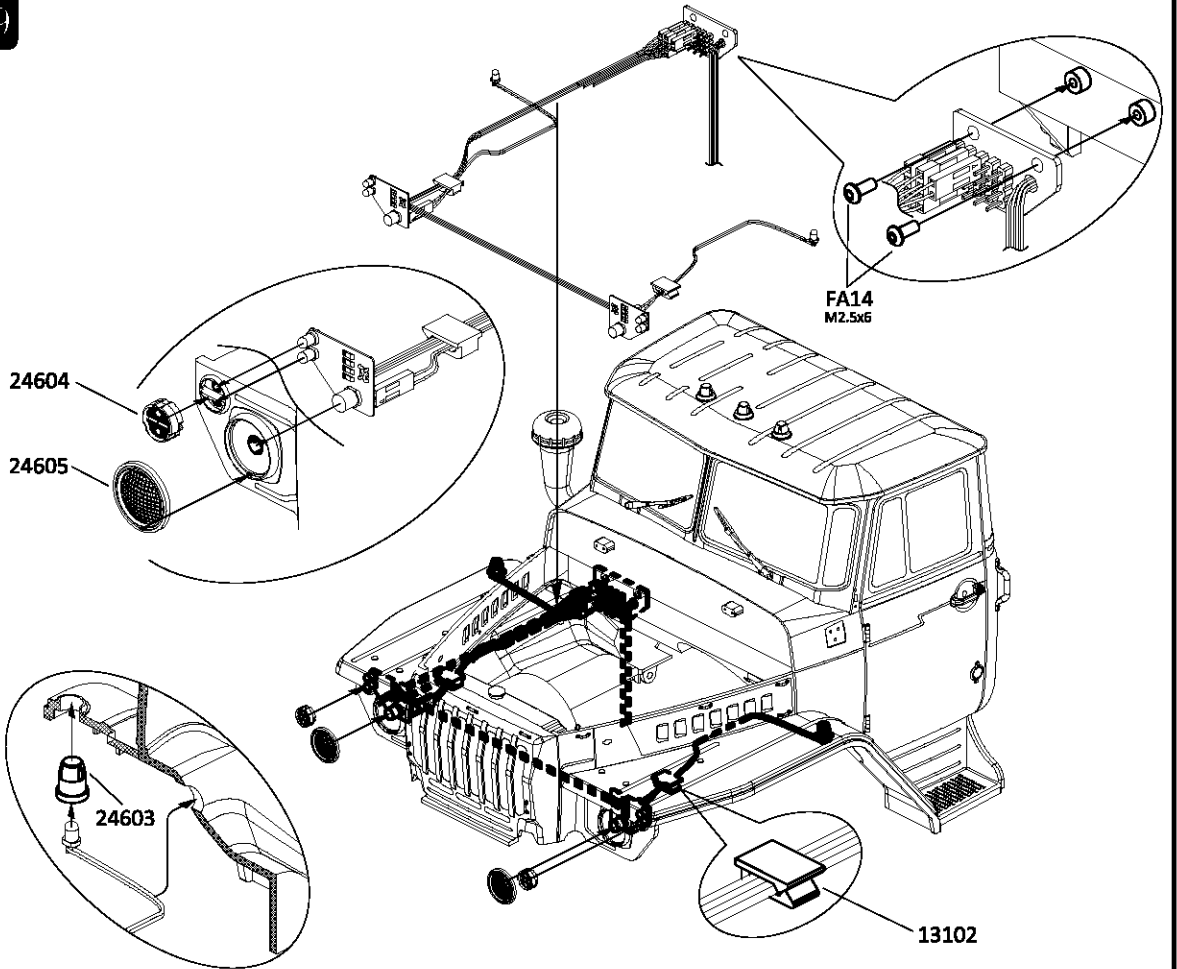
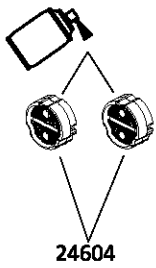
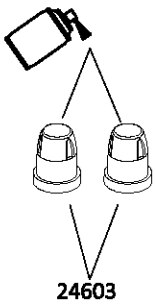
58

FA33   
M2.5x4 X2




59


FA14   
M2.5x6 X2

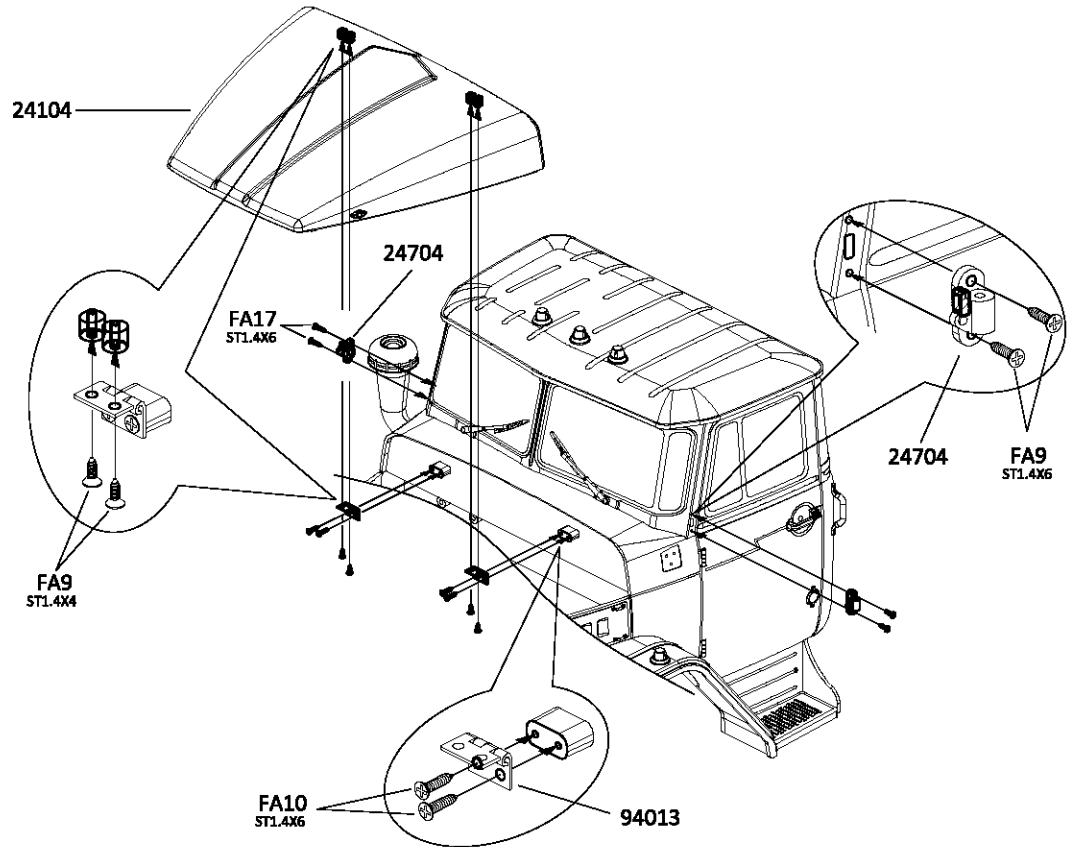




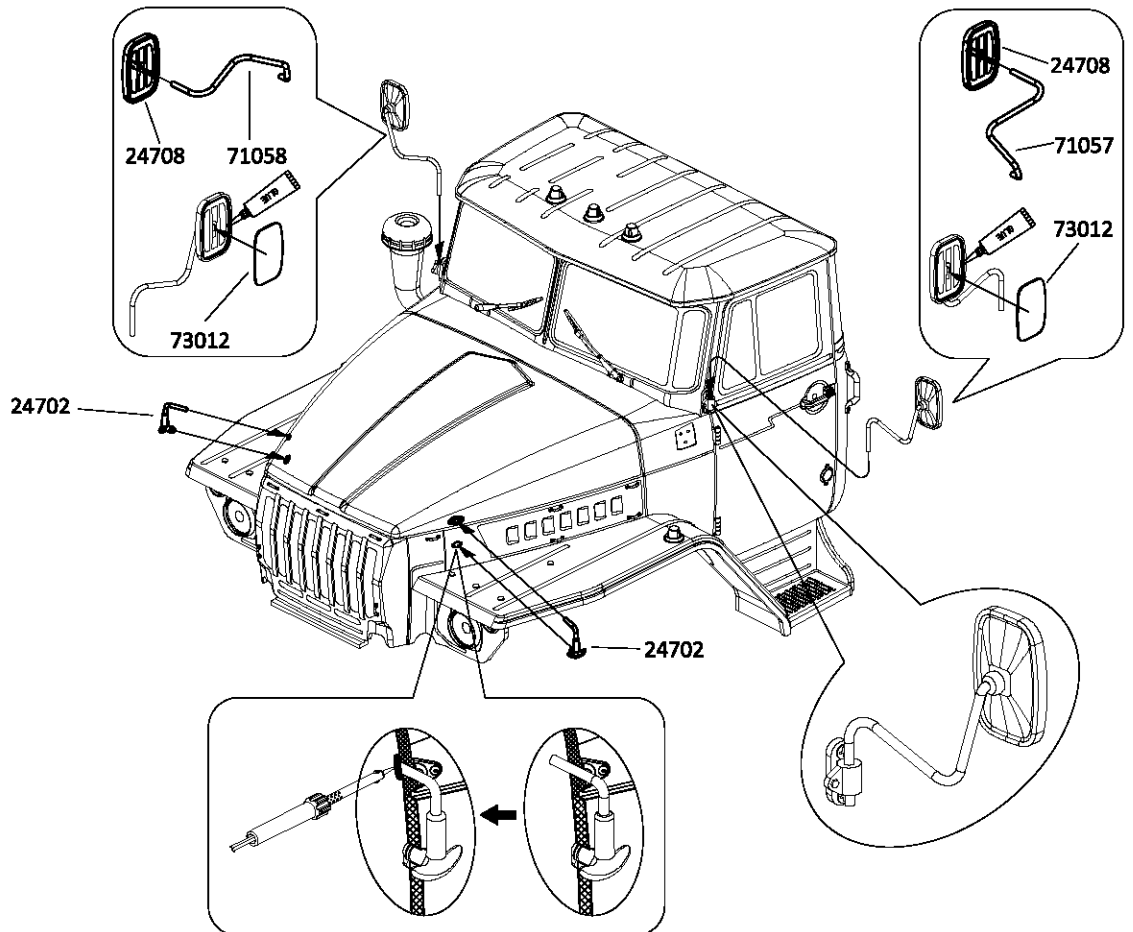
60

FA9  ST1.4x4 X4

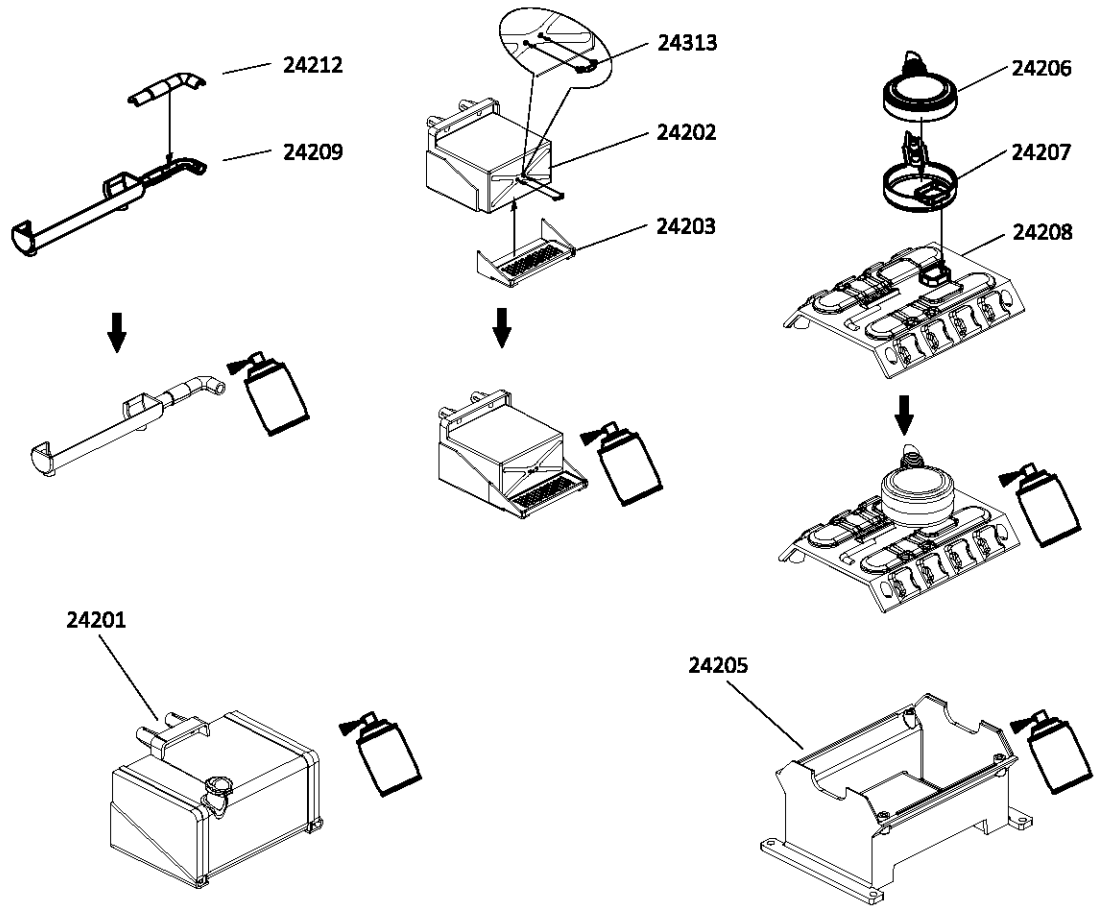
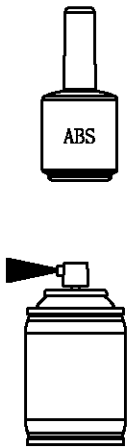
FA10  ST1.4x6 X8






61

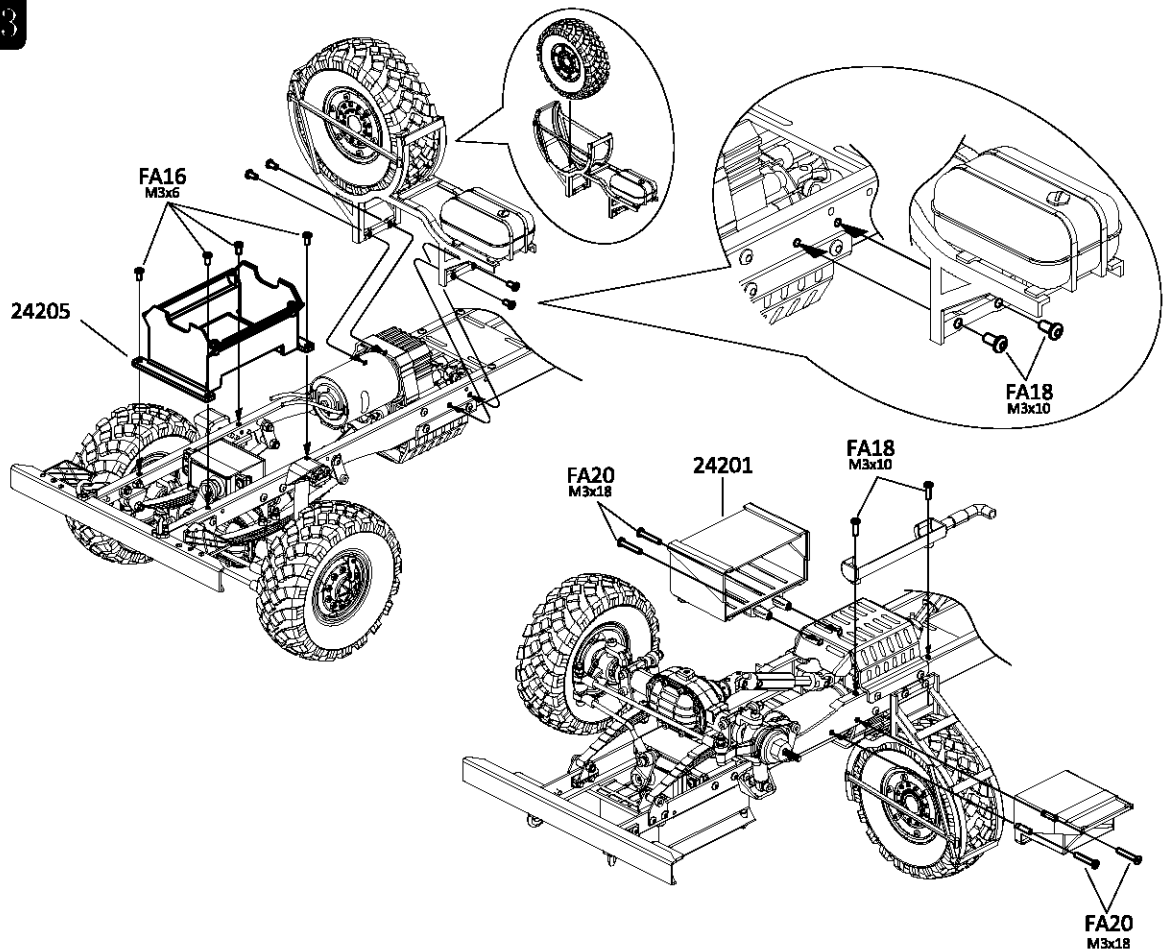


62




63

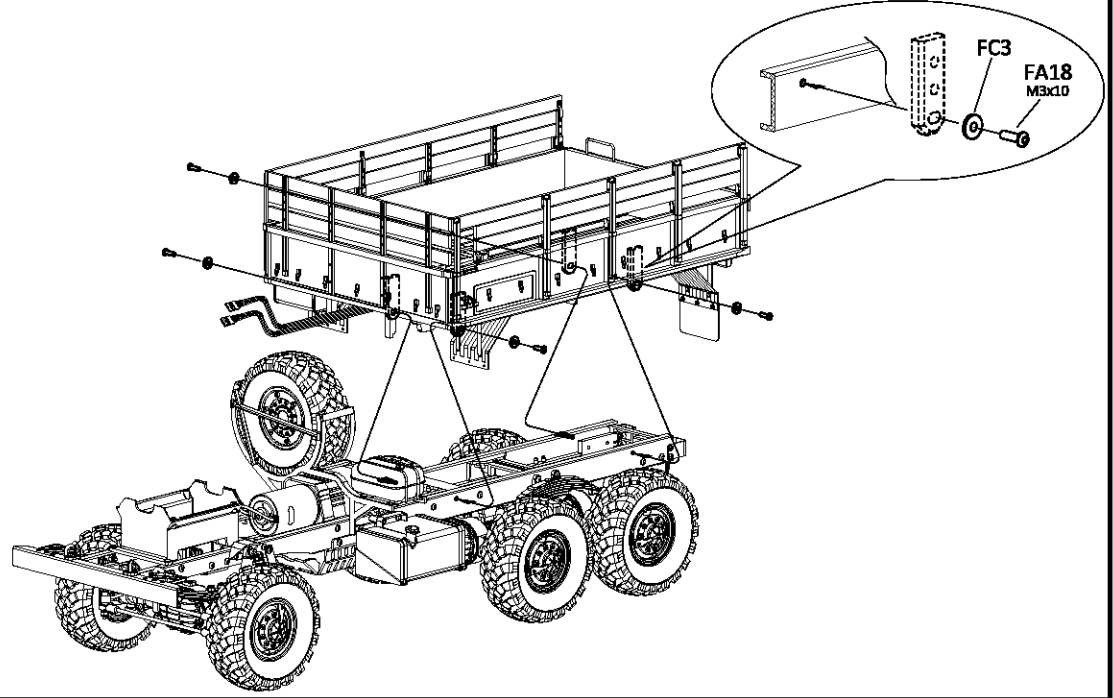
- FA16  M3x6 X4
- FA18  M3x10 X6
- FA20  M3x18 X4



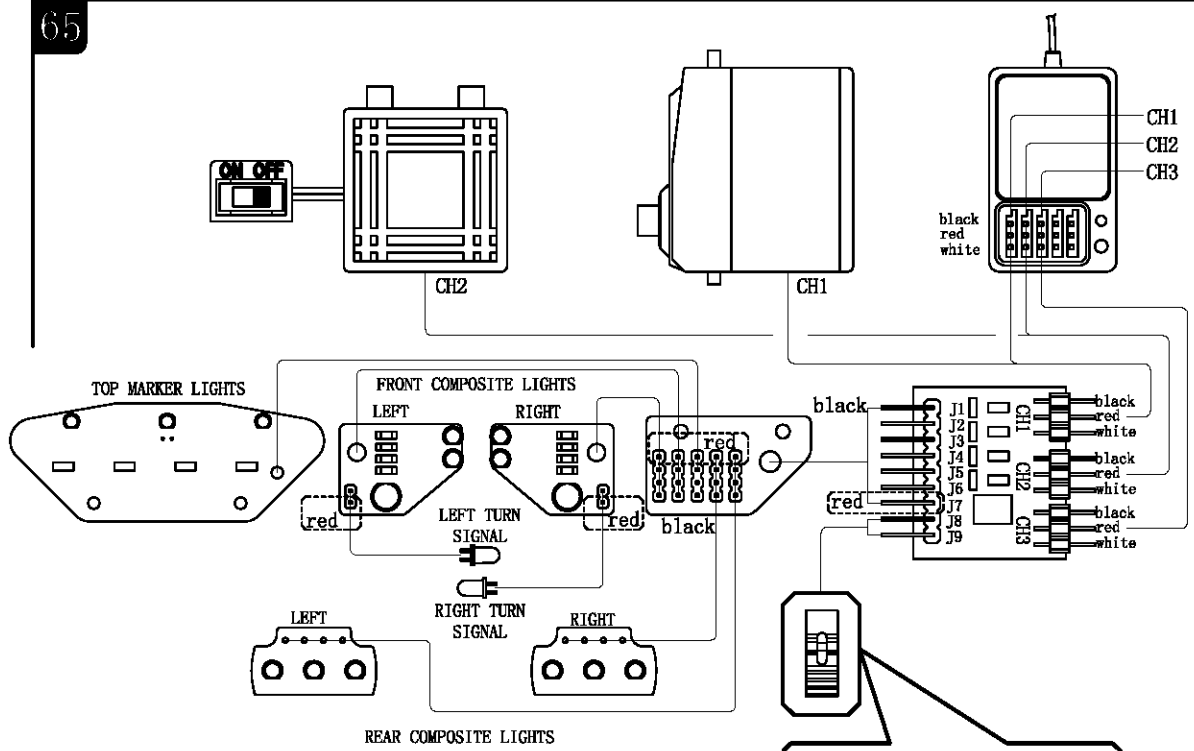
64

FA18   
M3x10 X4

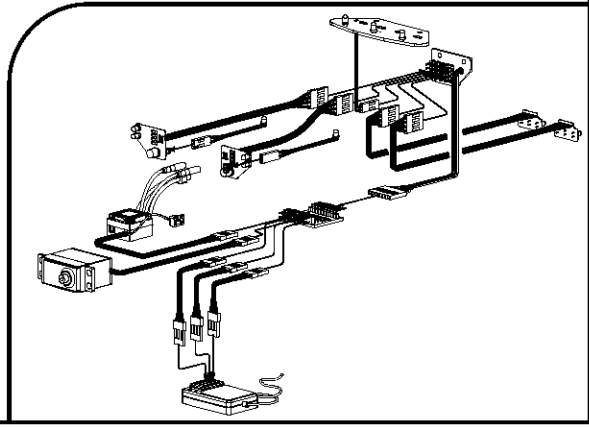
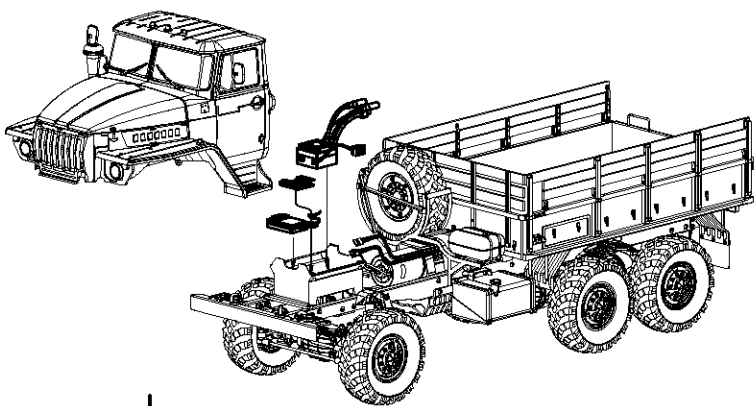
FC3    
φ3xφ7x0.5 X4




65

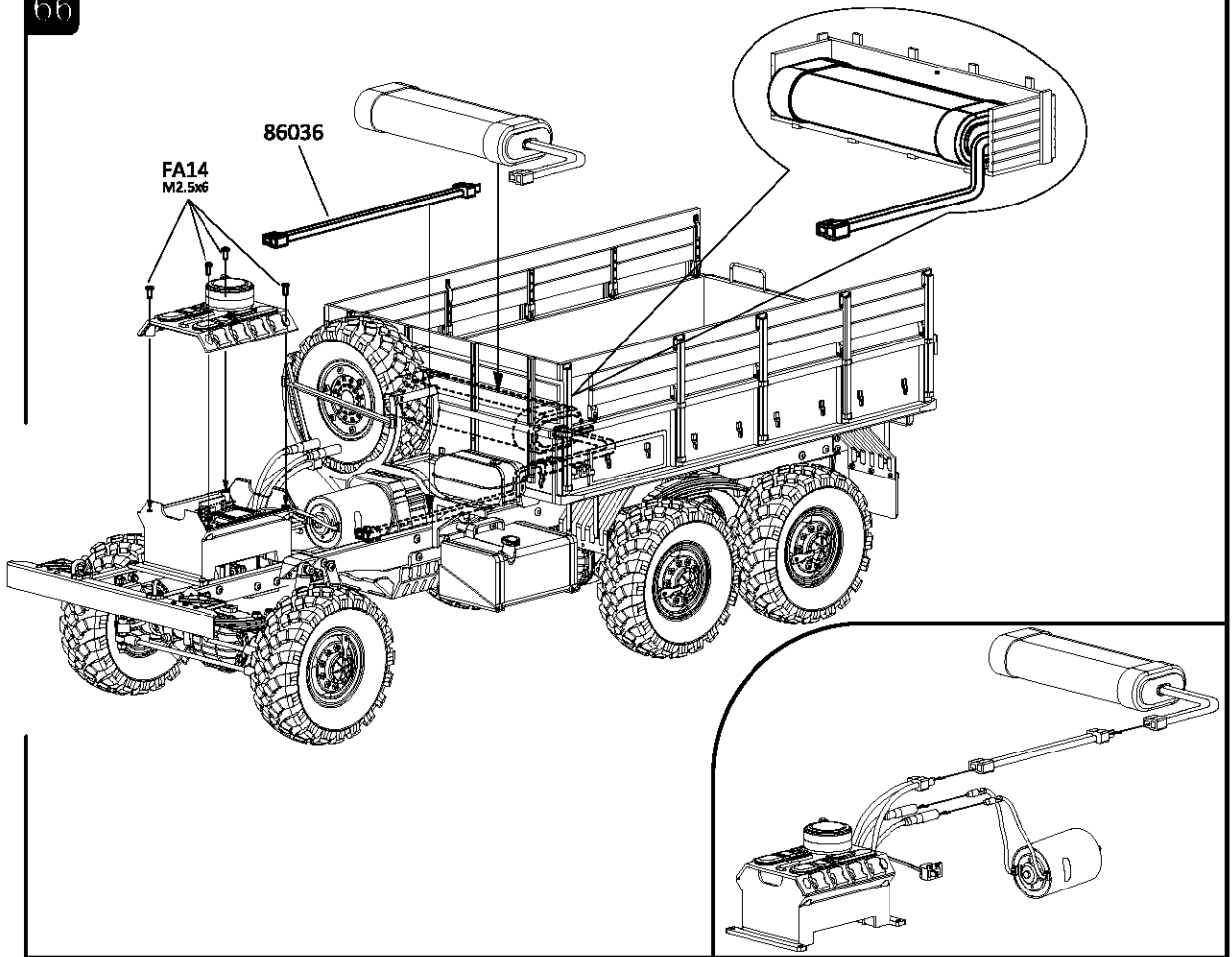


Please plug short circuit cap if vehicle go ahead but brake lamps turn on.




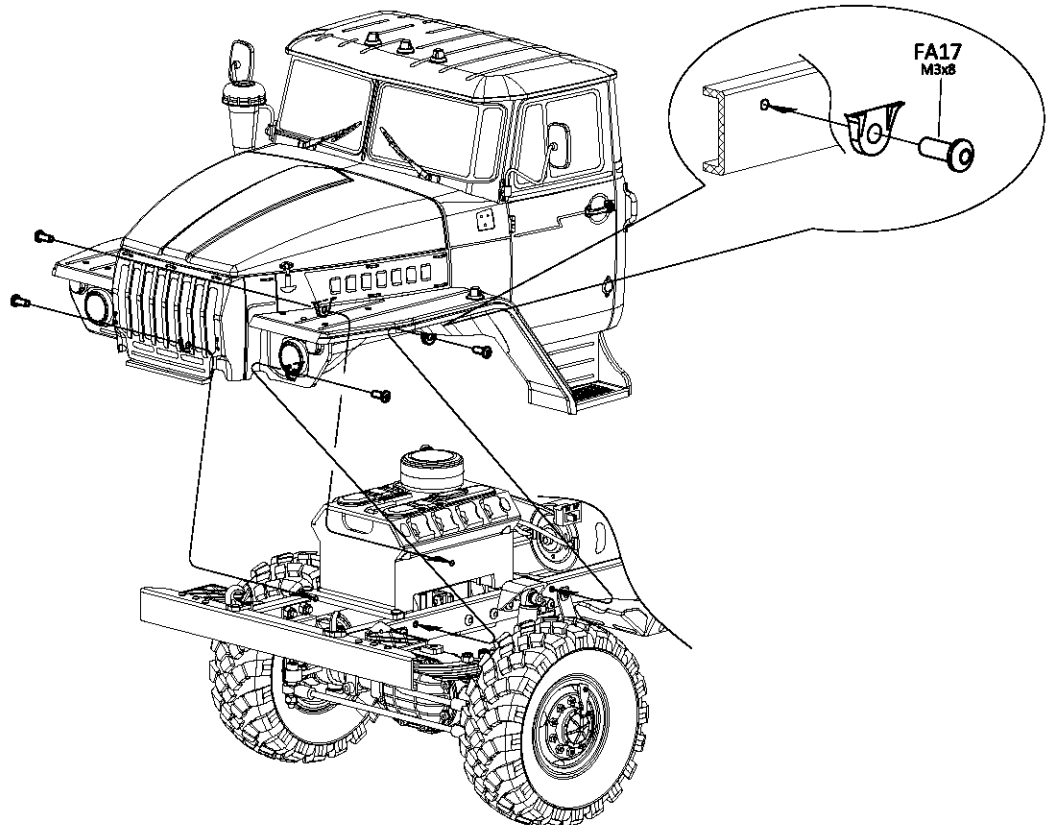
66

FA14   
M2.5x6 X4

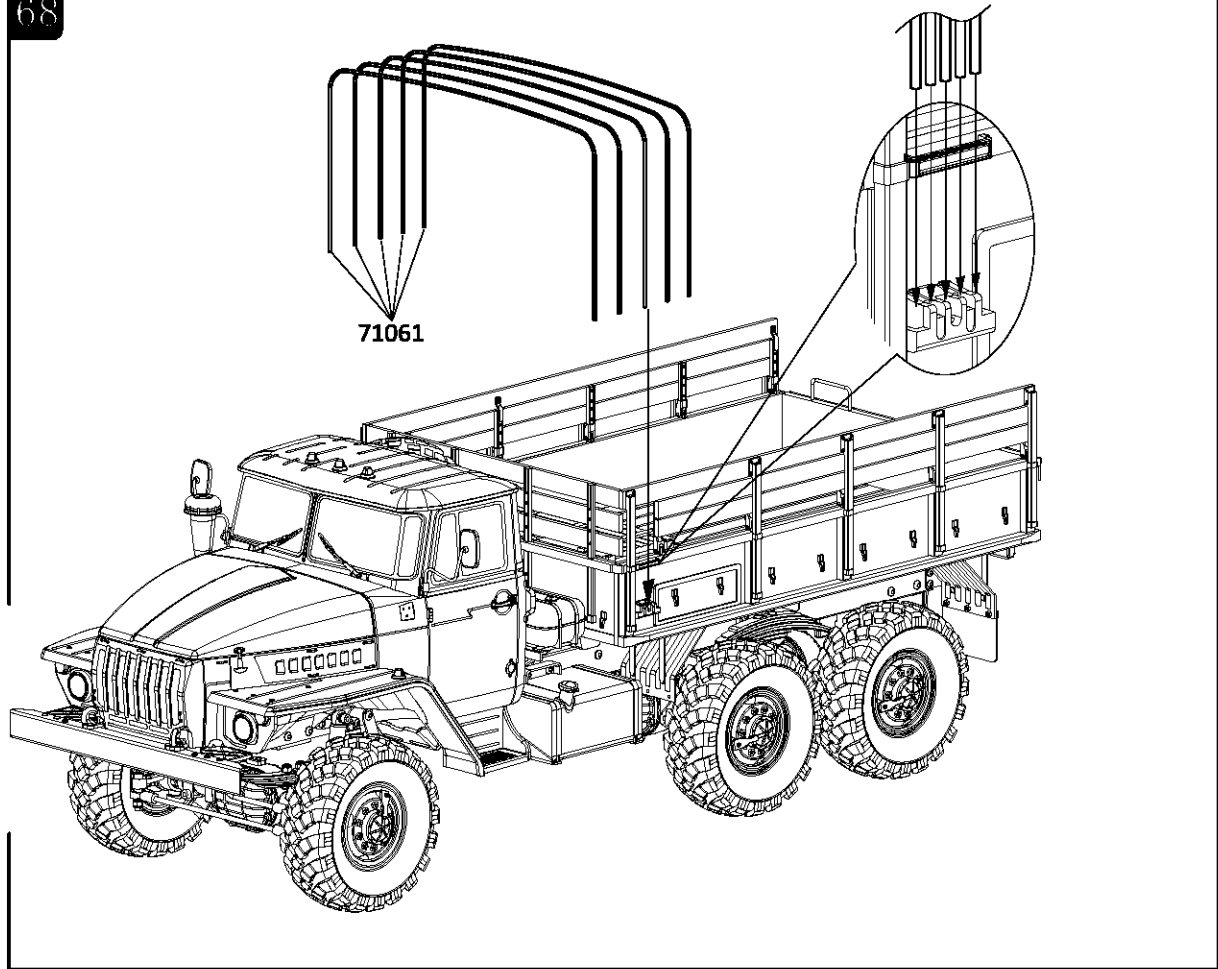


67

FA17   
M3x8 X4



68



69

