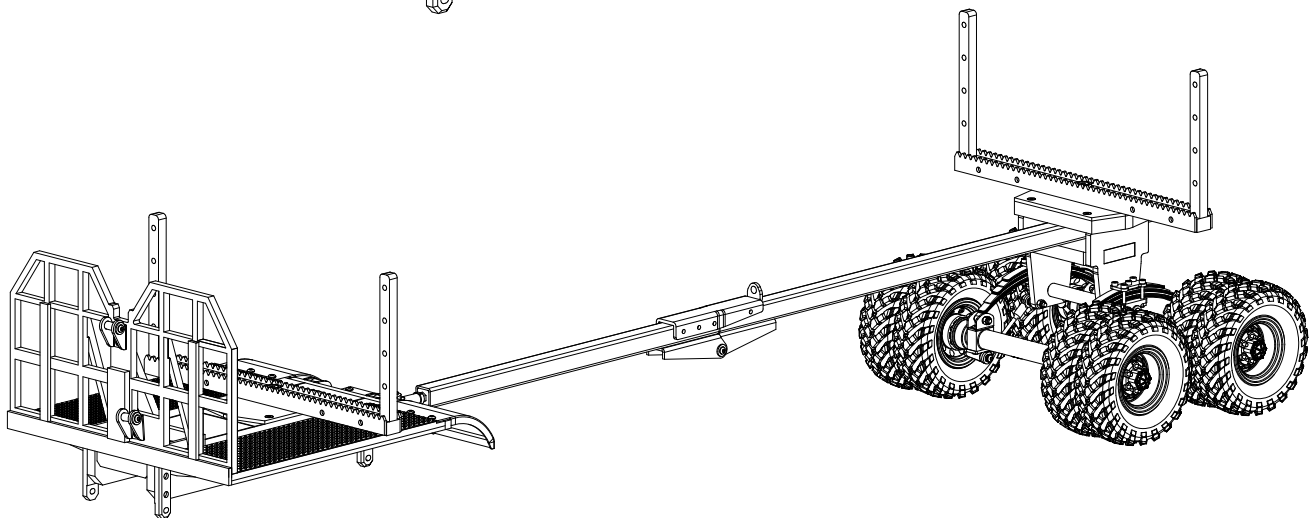
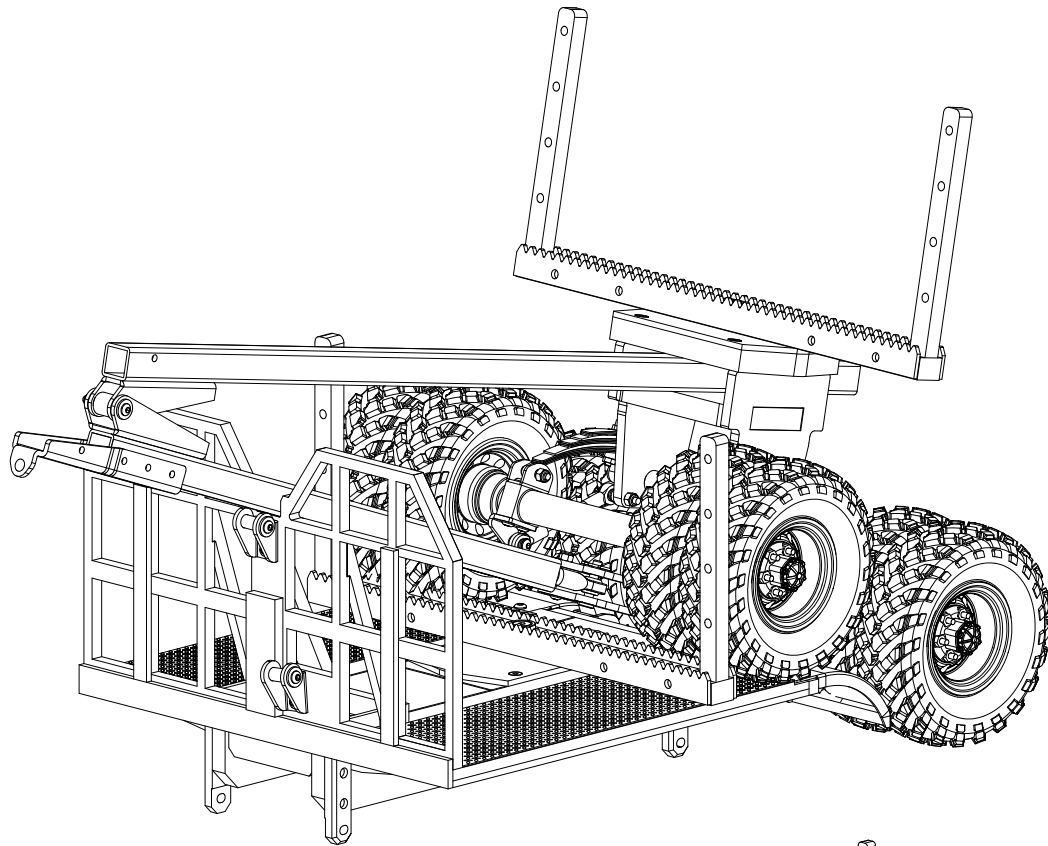


T835

BODY KIT



CAUTIONS

To prevent serious personal injury and/or property damage, operate all remotely controlled models in a responsible manner as outlined herein.

◆ Safety Precautions

- 1.1 Choose a right place to operate your RC model.
- 1.2 Do not operate your RC model on the street or highway. It can cause a serious damage or a serious accident.
- 1.3 Never operate your RC model near people or animals.
- 1.4 Do not operate RC model in public places like hospital and residential areas.
- 1.5 Never operate RC model indoors. There is a higher possibility of fire or damage.
- 1.6 Keep the parts out of reach of children, small parts can cause choking and vinyl bags can suffocate.
- 1.7 Do not use with children younger than 14 years.

◆ Inspect your RC model before operation

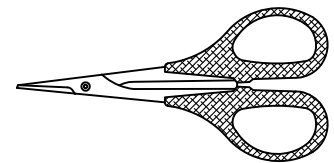
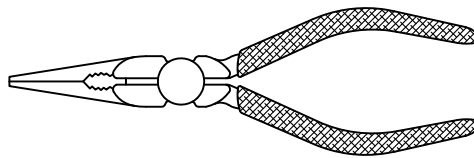
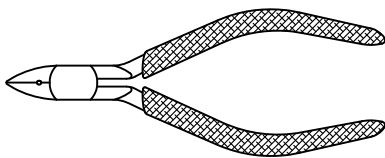
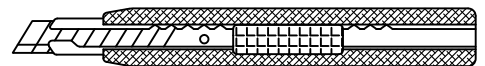
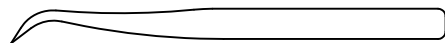
- 2.1 Make sure that all screws and nuts are properly tightened. It is also a good idea to use removable thread lock wherever metal screws go into metal, especially for engine mounts and the engine pilot shaft.
- 2.2 Always use fresh batteries for your transmitter and for your receiver to avoid losing control of the model.
- 2.3 Always test the brakes and throttle before starting your engine to avoid losing control of the model.
- 2.4 Always turn on the transmitter first, and then turn on the receiver.

◆ After operation of your RC model

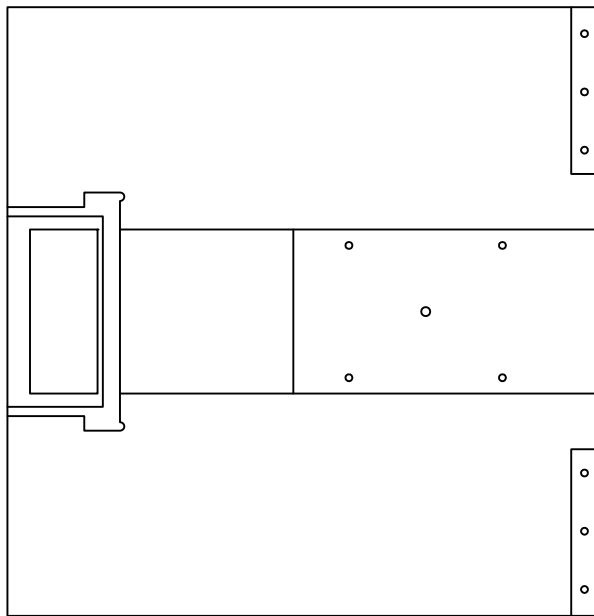
- 3.1 Turn off receiver first, then turn off transmitter, this will prevent runaways.
- 3.2 Be careful when handling batteries, they will be hot after running.
- 3.3 Replace any batteries that have been dented or have frayed wires, short circuits can cause fire.

TOOLS

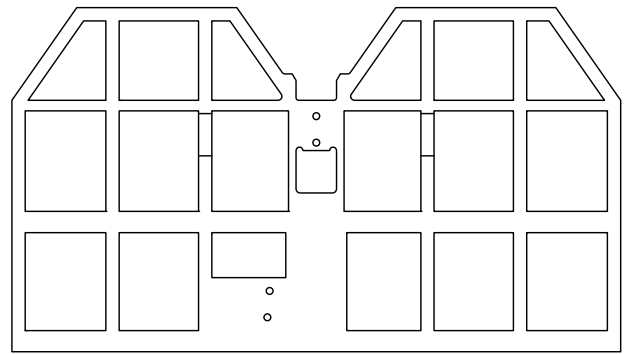
(Not included)



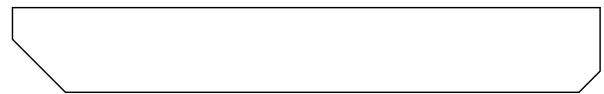
PLANK



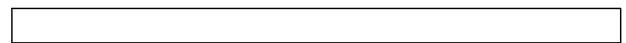
63901 X1



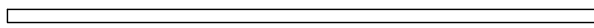
63902 X1



63903 X2



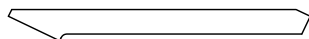
63904 X1



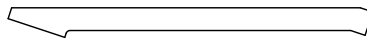
63905 X2



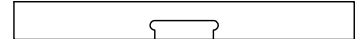
63906 X1



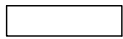
63907 X1



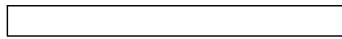
63908 X2



63909 X1



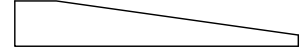
63910 X2



63911 X2



63912 X2



63913 X6



63914 X2



63915 X4

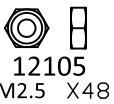


63916 X2



63812 X2

WHEELS



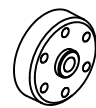
12105
M2.5 X48



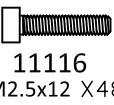
30303 X4



30304 X4



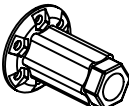
30307 X8



11116
M2.5x12 X48



30308 X4



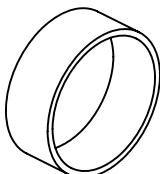
30903 X4



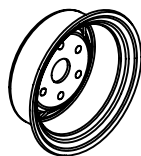
41209 X4



12204
M4 X4



41312 X8



71020 X8

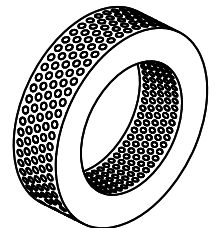


71021 X8



17003
φ10xφ7x1.5 X4

TIRES

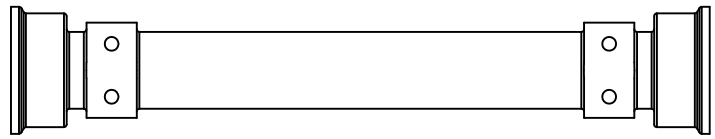
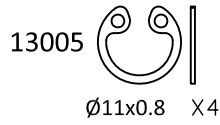
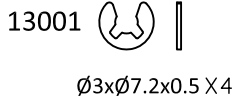


42320 X8

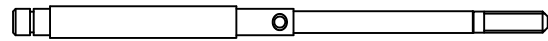
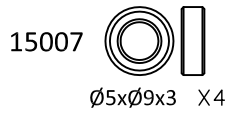
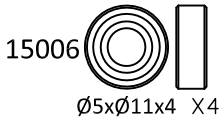


50007 X8

AXLE

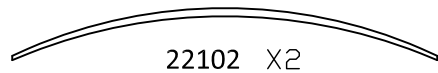
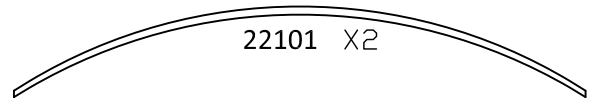
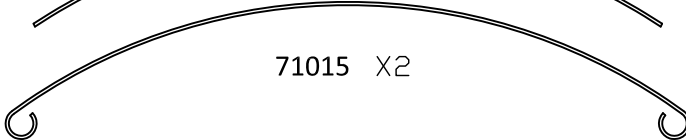
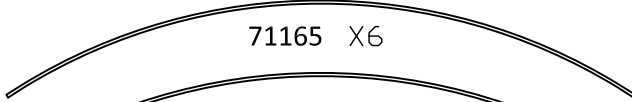
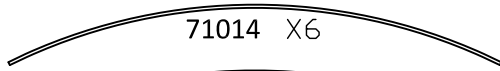
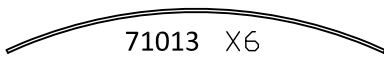


41514 X2

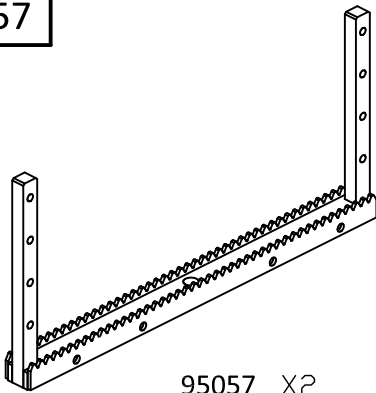


41515 X4

LEAF SPRING

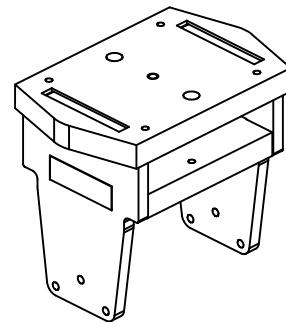


95057



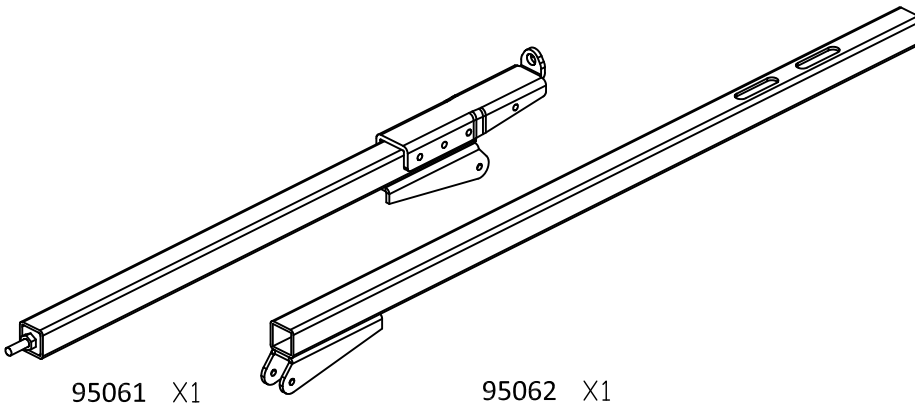
95057 X2

95058



95058 X1

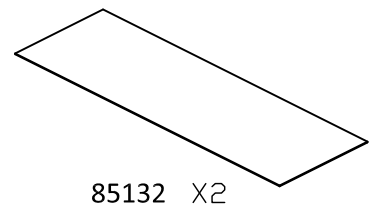
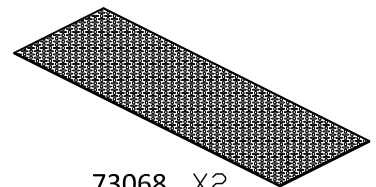
95061/95062




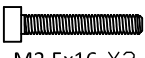
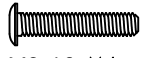
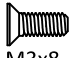

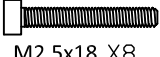
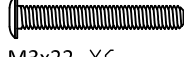
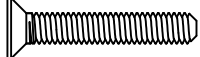

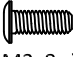
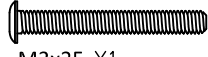
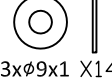




95061 X1

95062 X1

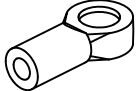
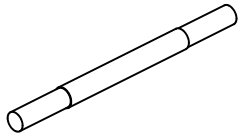



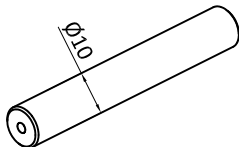
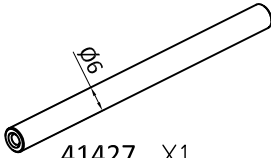
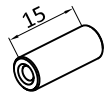

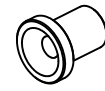
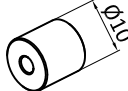
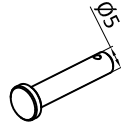
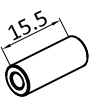
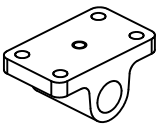
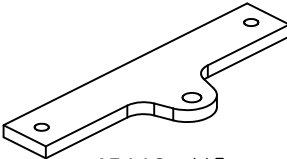
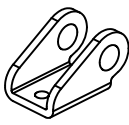
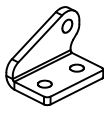
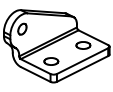
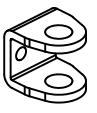
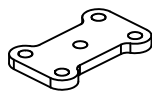

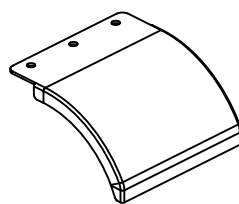
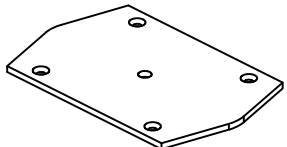
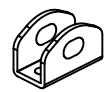

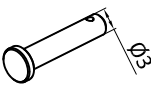
BAG(A)









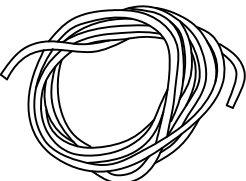

BAG(B)

- | | | | |
|--|--|---|--|
| 12105  M2.5 X8 | 11119  M2.5x16 X2 | 11210  M3x16 X4 | 11303  M3x8 X8 |
| 12203  M3 X15 | 11136  M2.5x18 X8 | 11213  M3x22 X6 | 11305  M4x25 X2 |
| 12204  M4 X1 | 11206  M3x8 X36 | 11214  M3x25 X1 | 14103  $\phi 3 \times \phi 9 \times 1$ X14 |
| 11115  M3x28 X2 | 11207  M3x10 X4 | 11225  M3x32 X2 | 14101  $\phi 4 \times \phi 9 \times 0.8$ X1 |

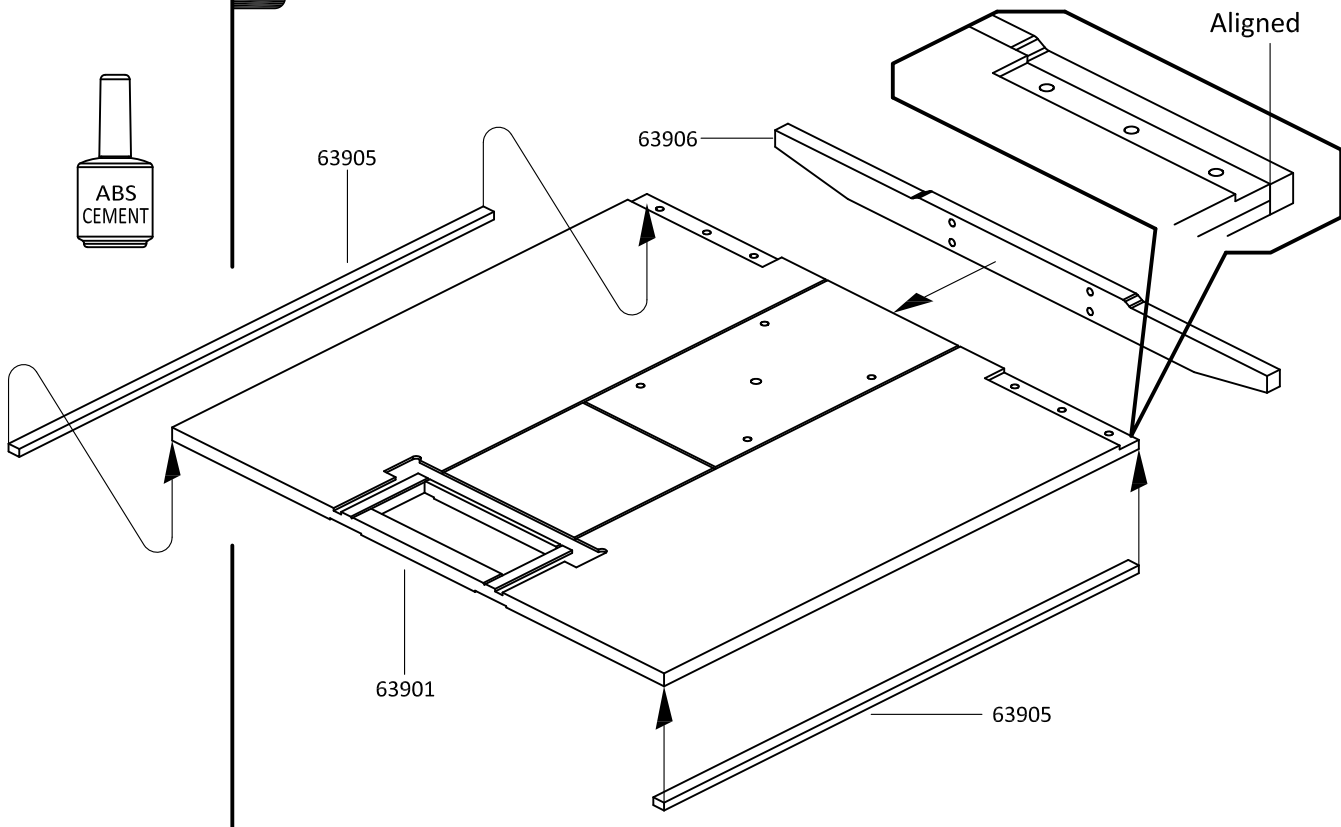
BAG(C)

- | | | | | | |
|--|--|---|---|---|--|
|  200103 X8 |  41121 X4 |  41162 X4 |  41308 X4 |  41336 X8 |  $\phi 10$ 41426 X1 |
|  $\phi 6$ 41427 X1 |  15 41428 X2 |  41429 X2 |  41430 X2 |  $\phi 10$ 41431 X1 |  $\phi 5$ 41432 X1 |
|  15.5 41435 X2 |  44088 X2 |  45113 X2 |  71169 X2 |  71170 X2 |  71171 X2 |
|  71172 X2 |  71174 X2 |  94034 X1 |  71163 X2 |  71164 X2 | |
|  71173 X4 |  94015 X2 |  $\phi 3$ 94035 X1 | | | |

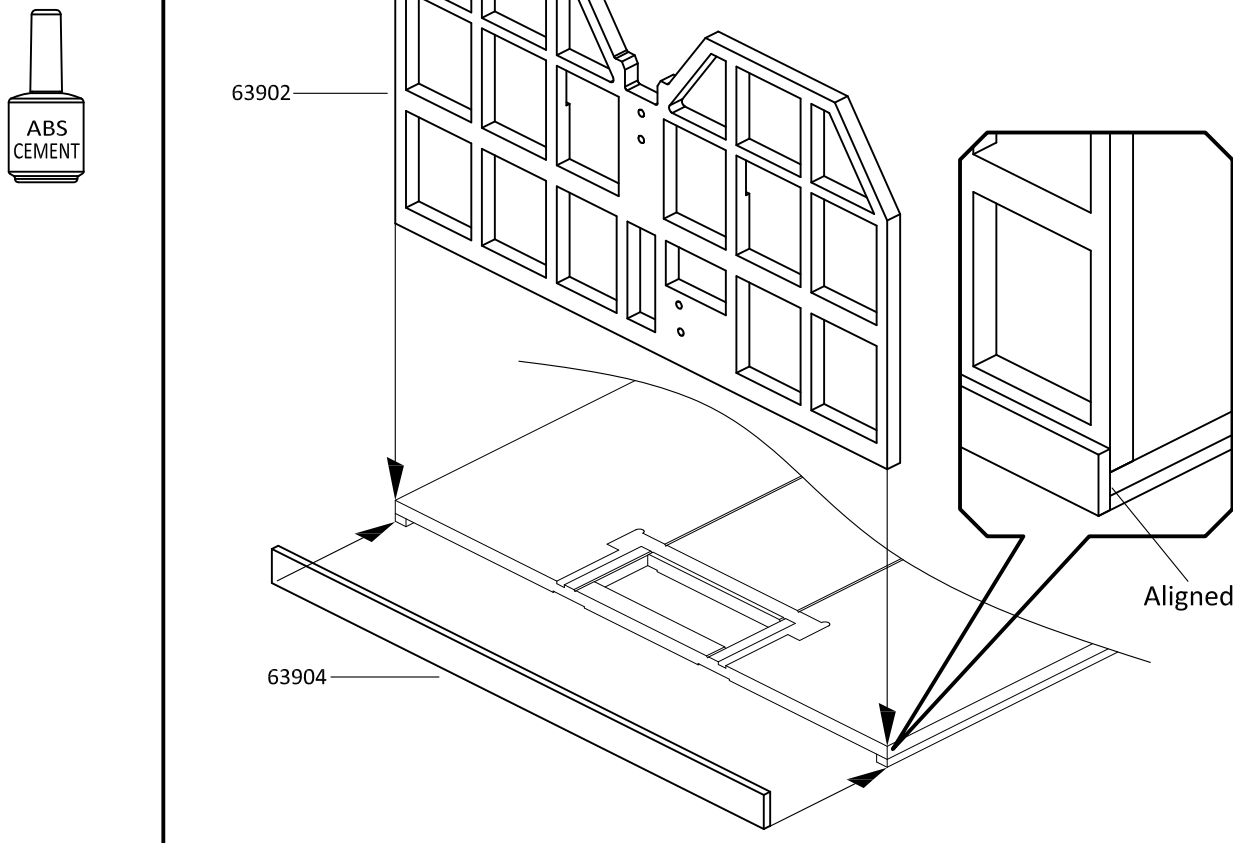
GIFT

- | | | | | | |
|--|--|--|---|---|--|
|  30114 X1 |  M2.5 X5 |  M2.5x12 X5 |  M3x8 X5 |  M3 X5 |  $\phi 3 \times \phi 9 \times 1$ X5 |
|  91103 X3 |  94021 X2 | | | | |

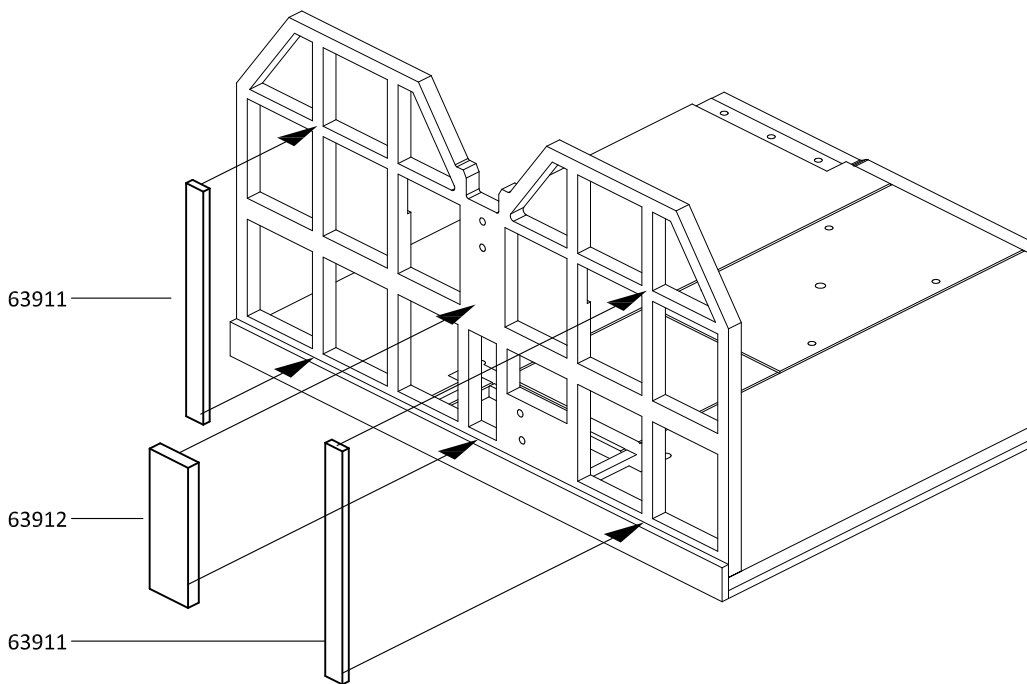
1



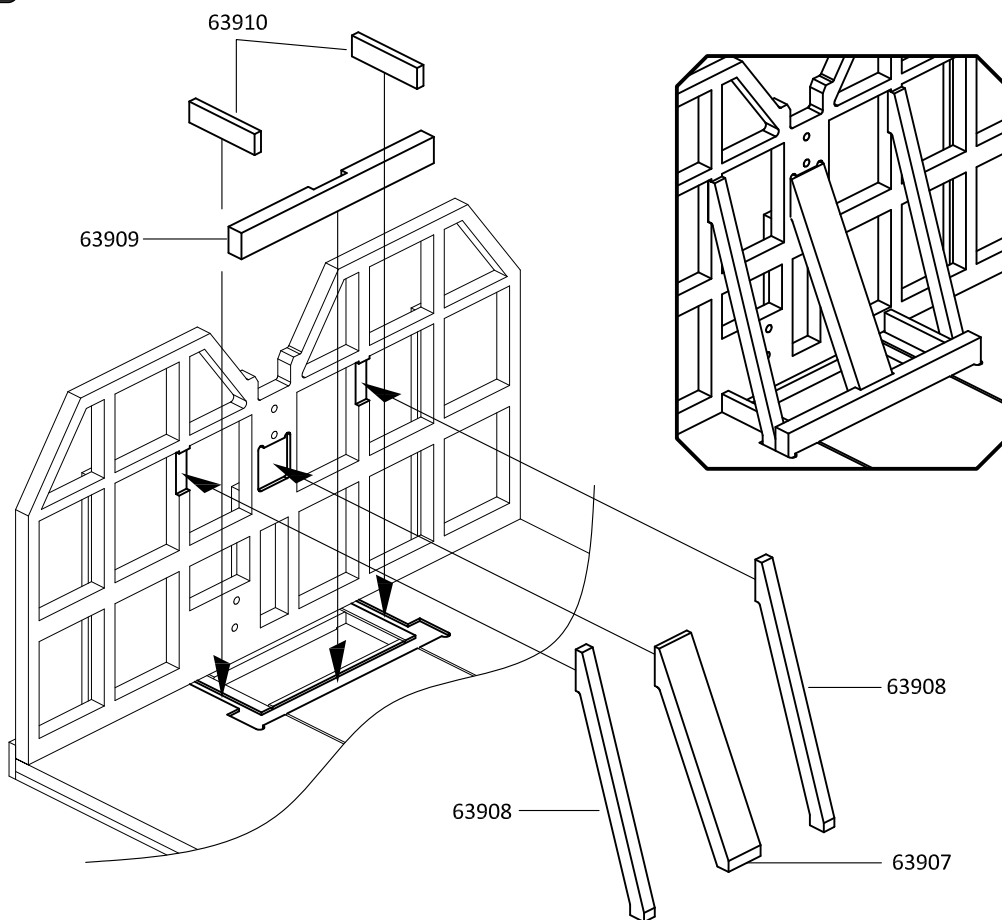
2



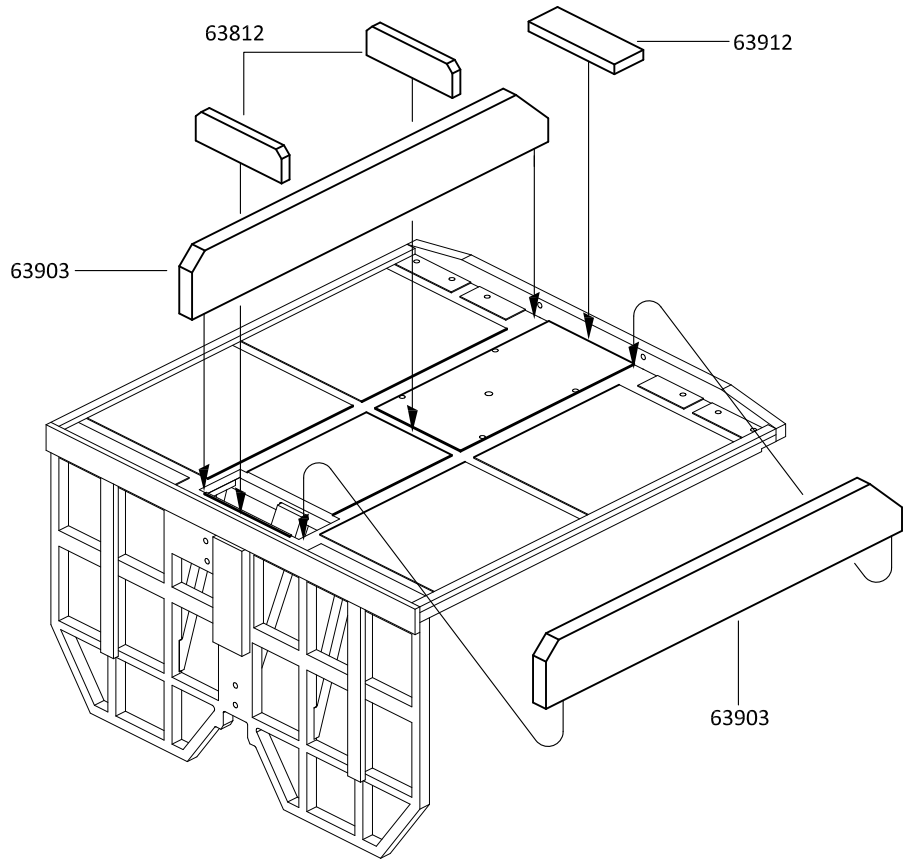
3



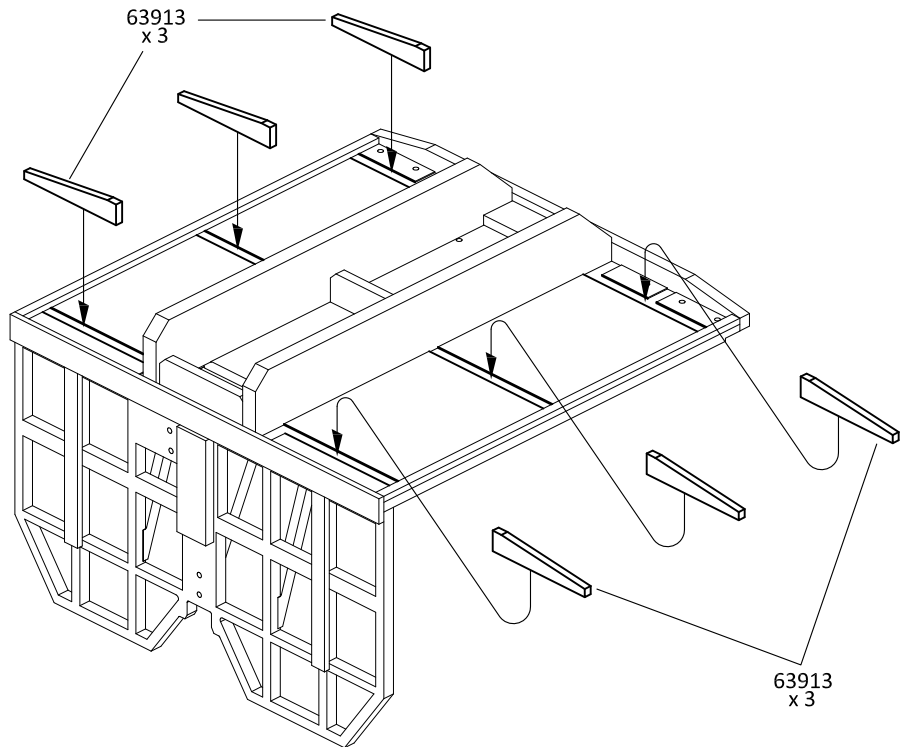
4

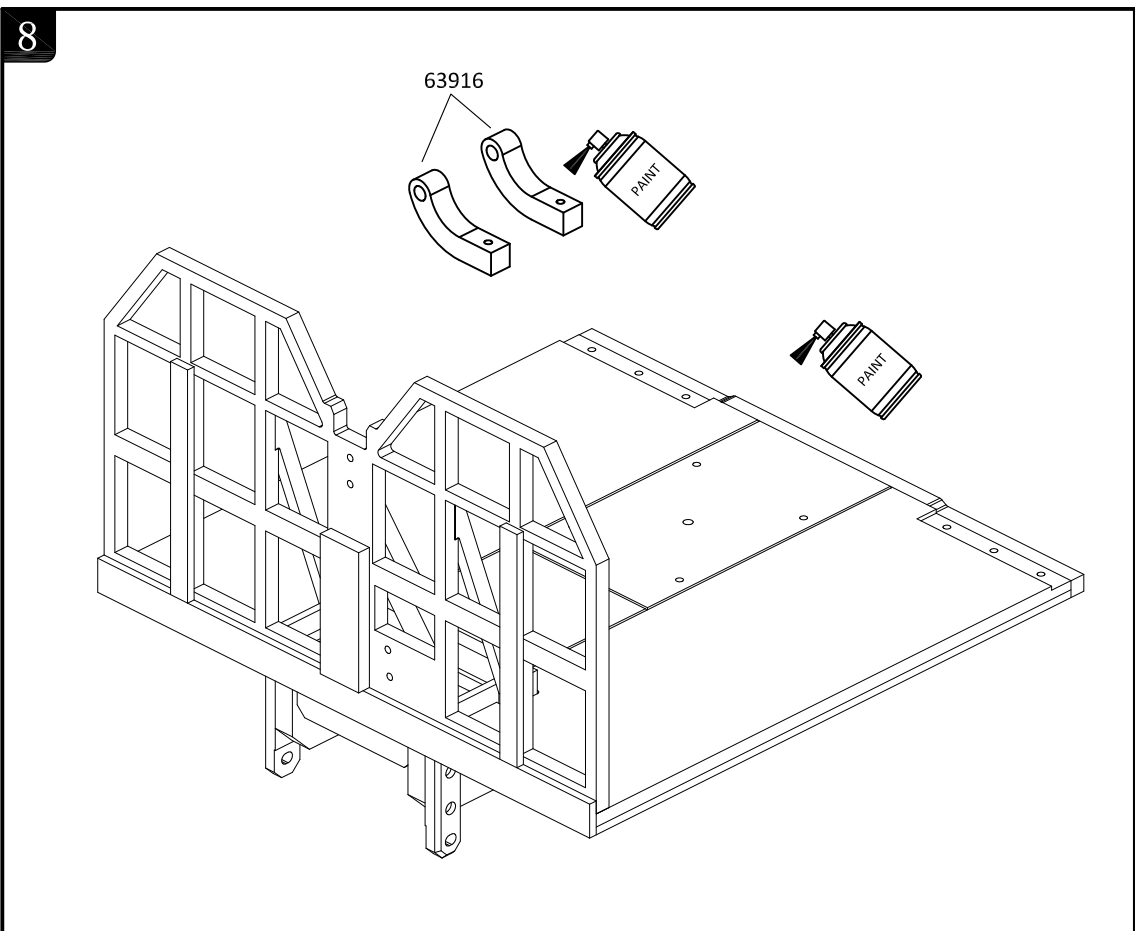
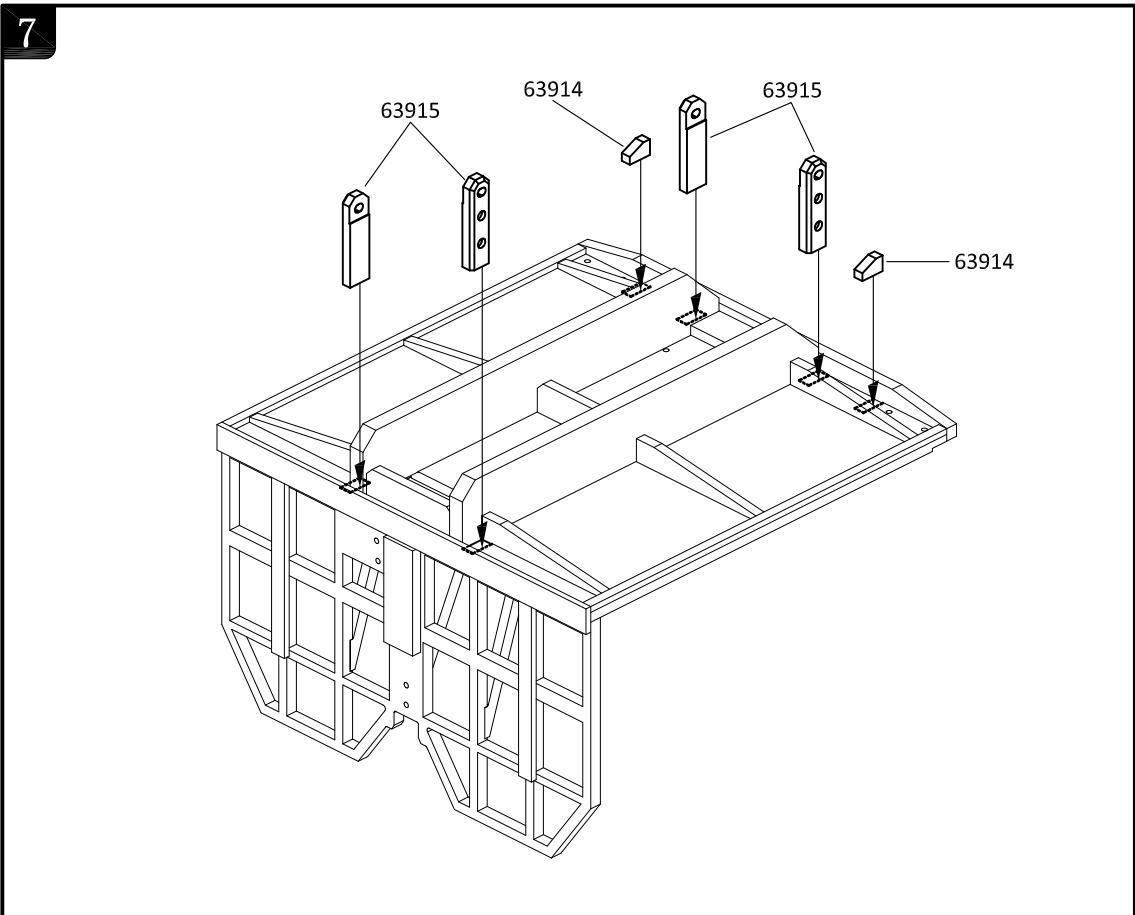


5





6

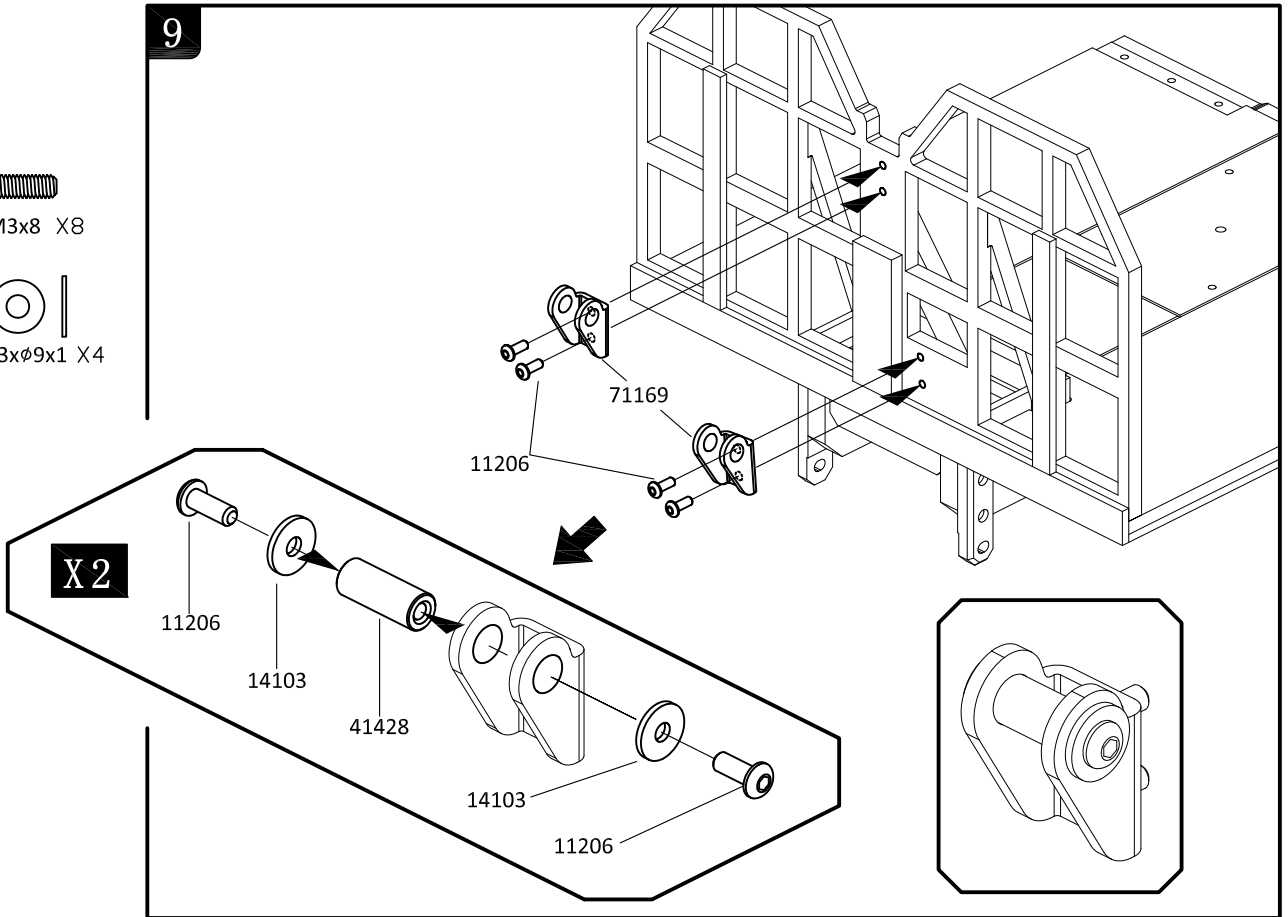





9

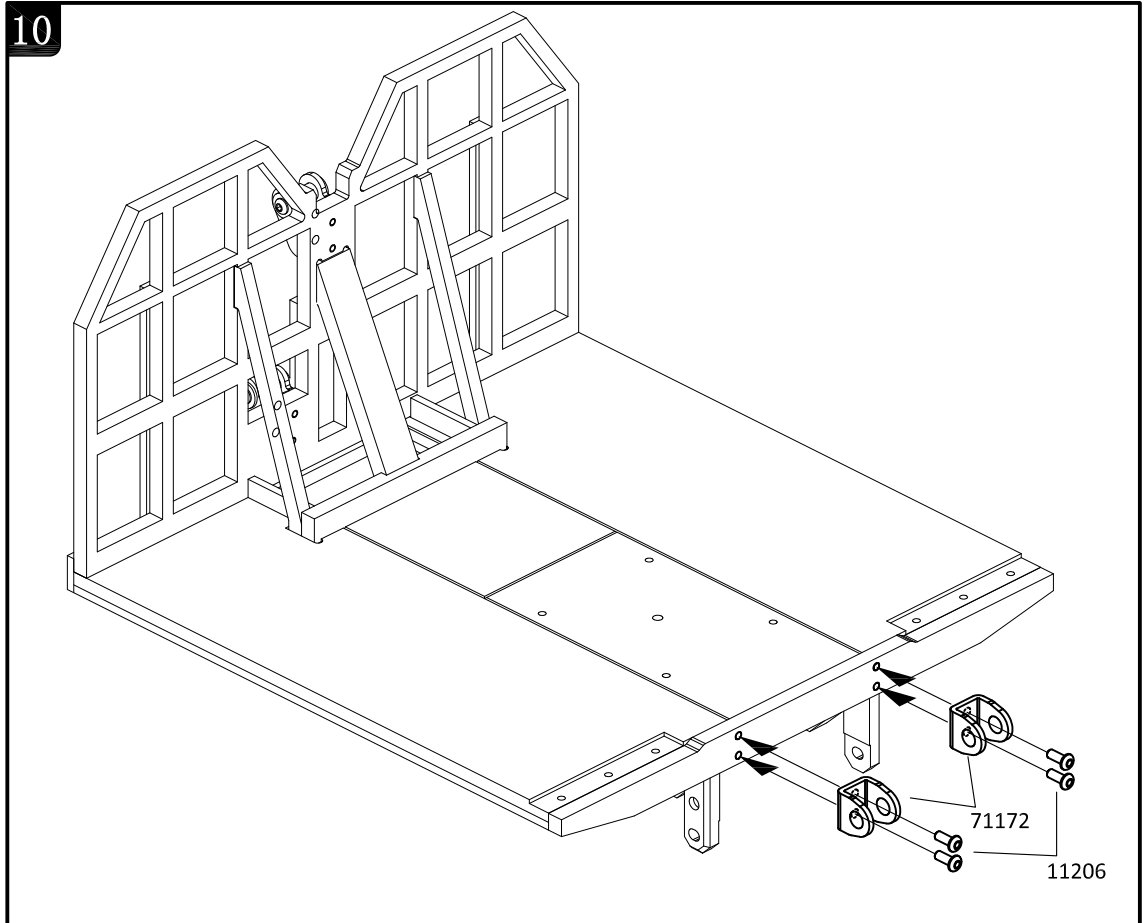
11206 
M3x8 X8

14103 
φ3xφ9x1 X4

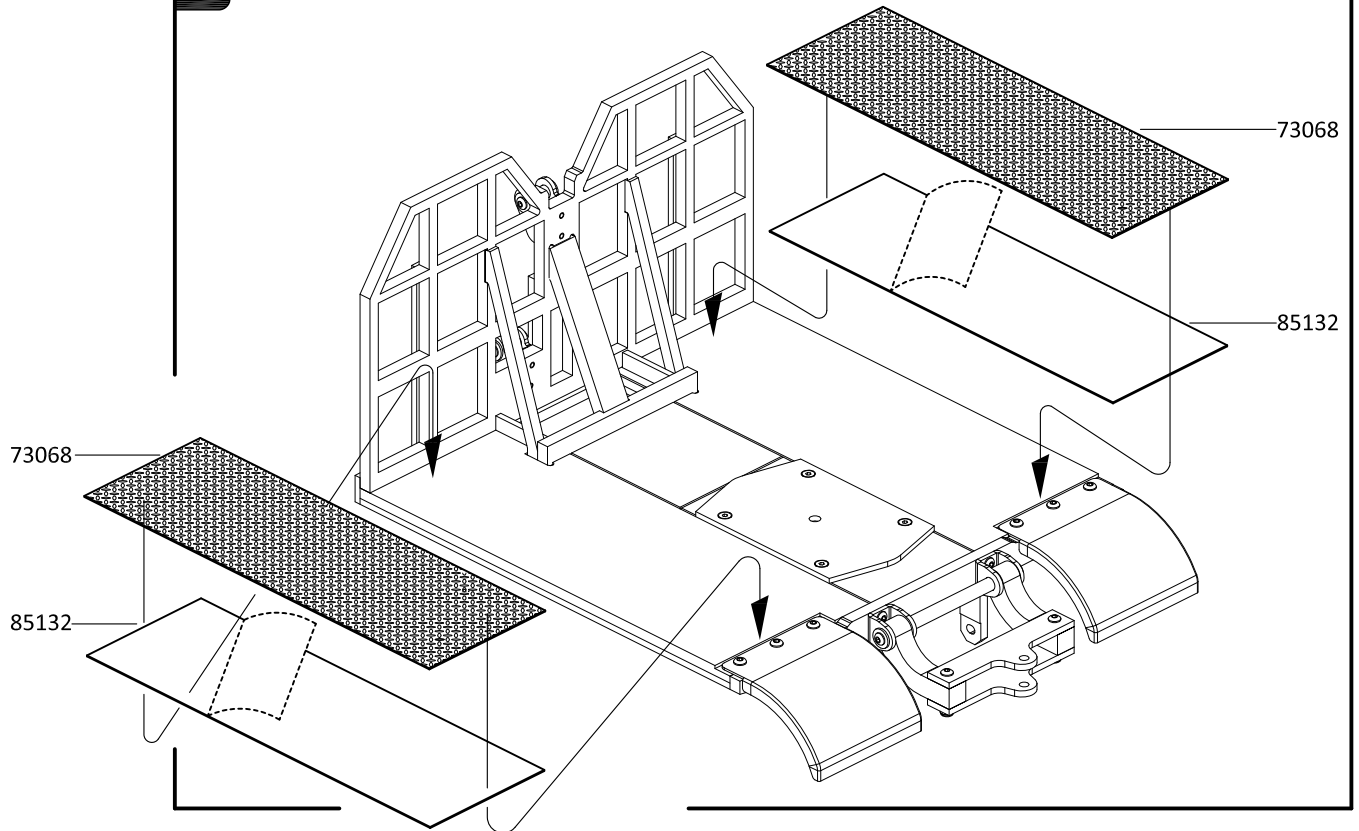


10

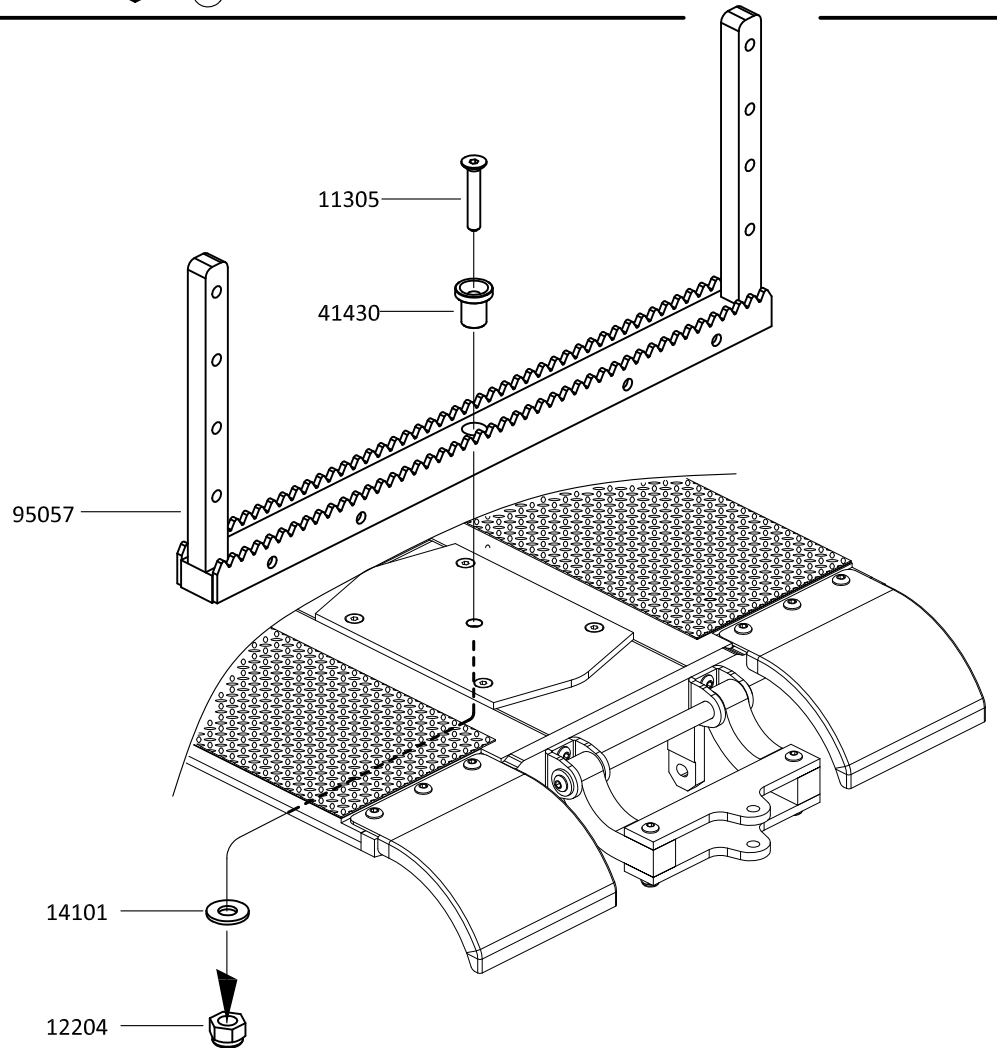
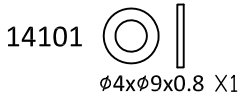
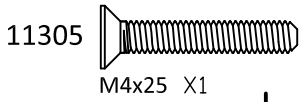
11206 
M3x8 X4




13




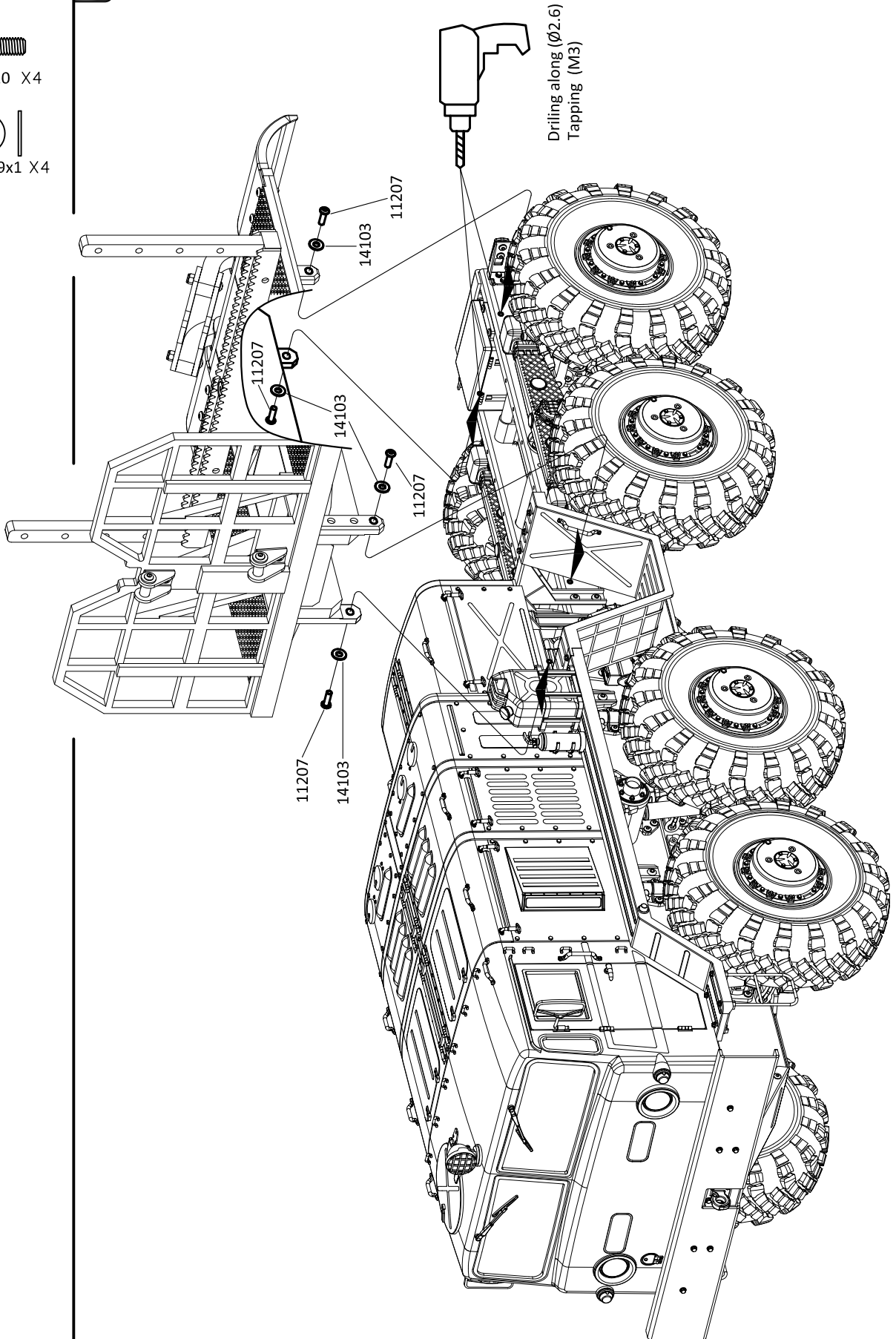
14

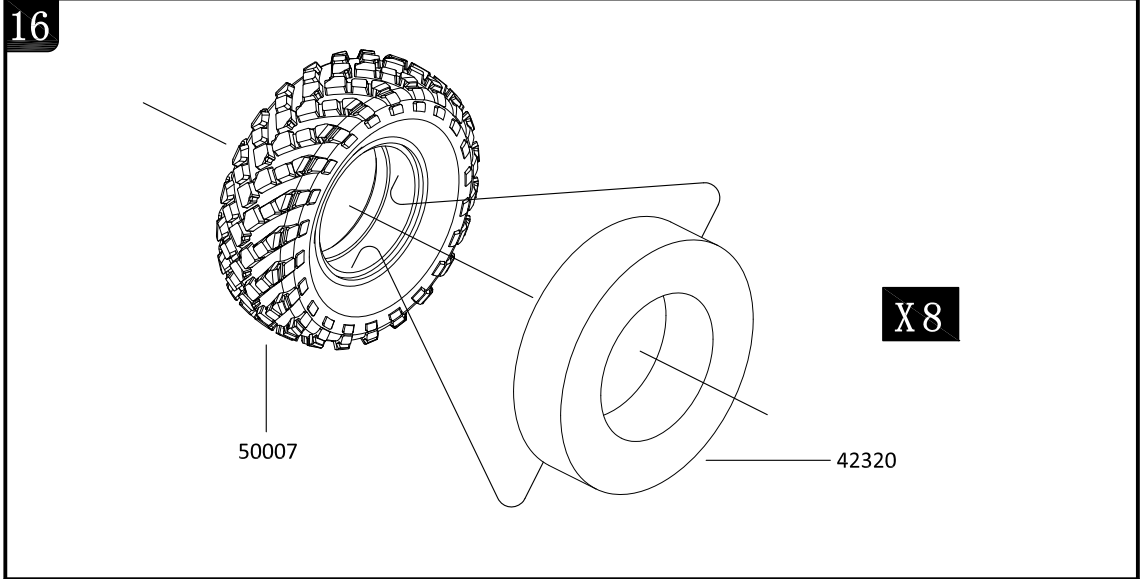




15


11207 
M3x10 X4

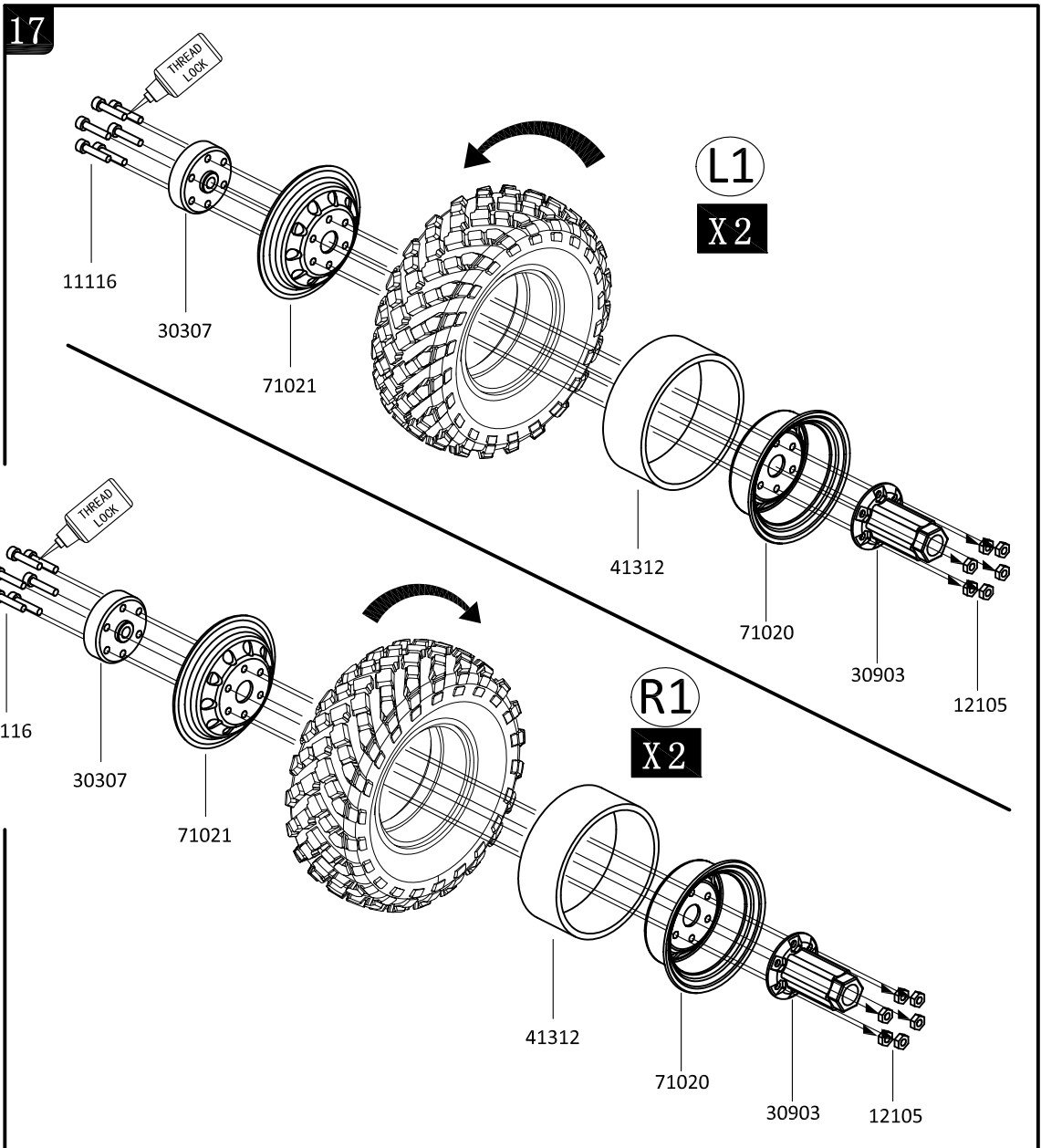
14103 
ø3xø9x1 X4







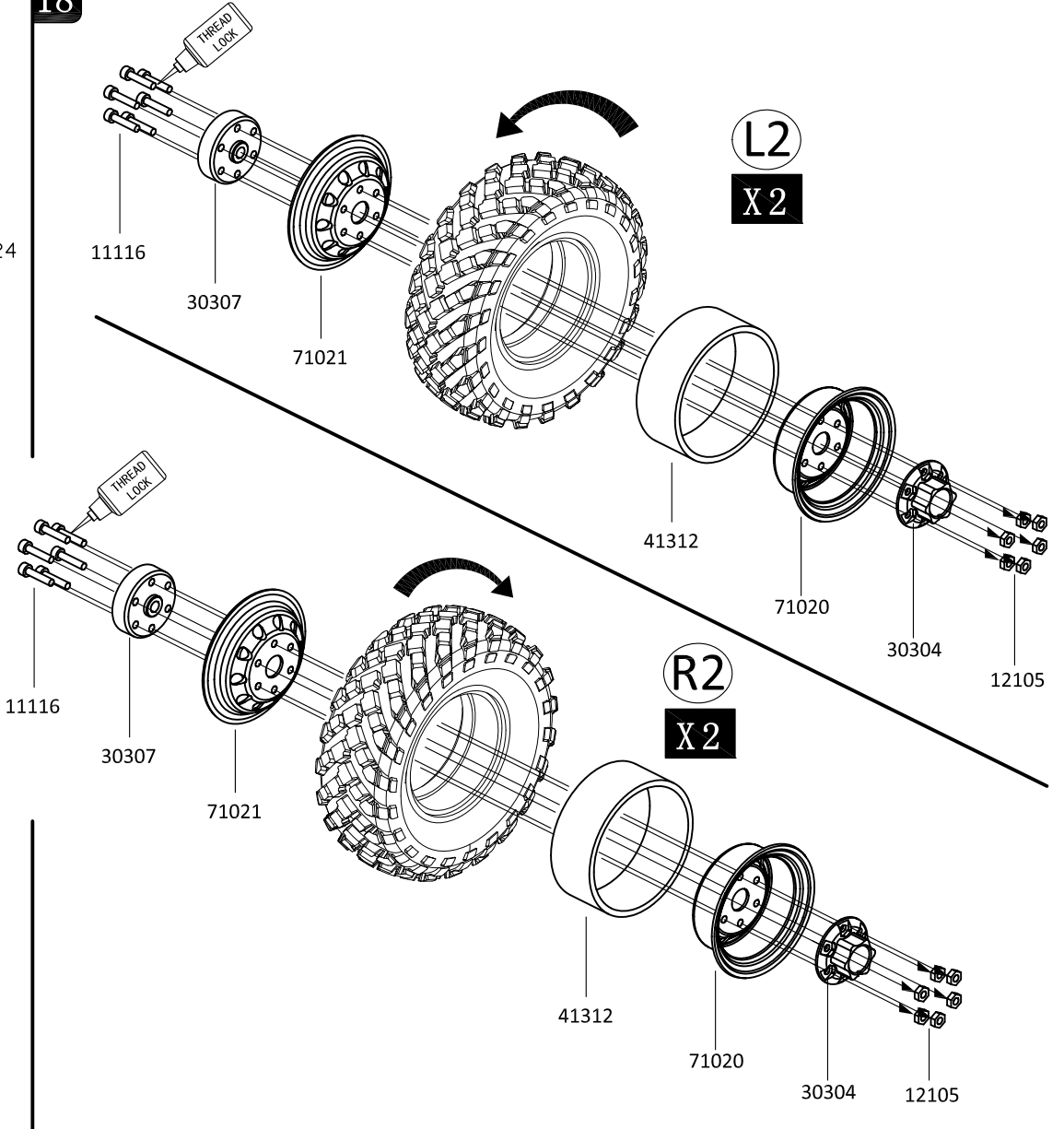
12105  
M2.5 X24

11116 
M2.5x12 X24

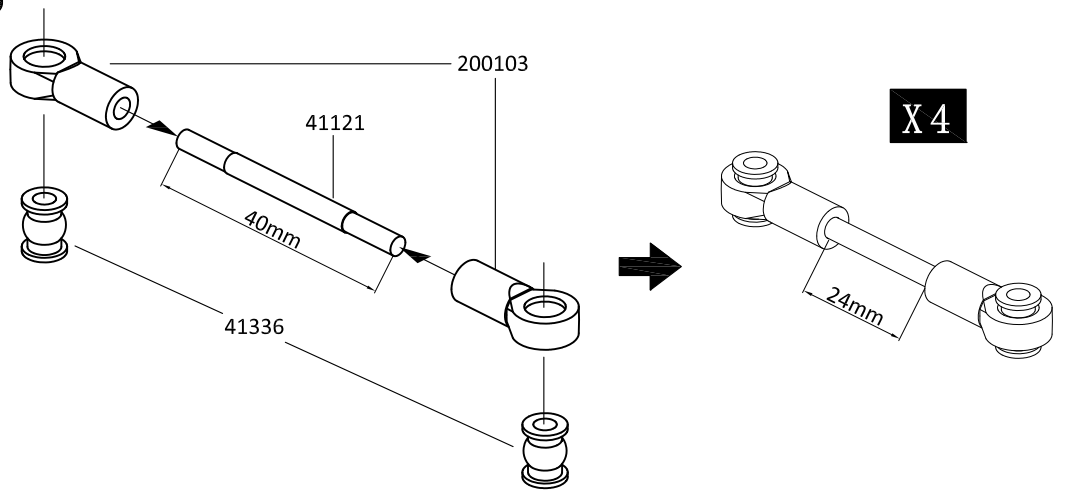


18


- 12105  M2.5 X24
- 11116  M2.5x12 X24





19

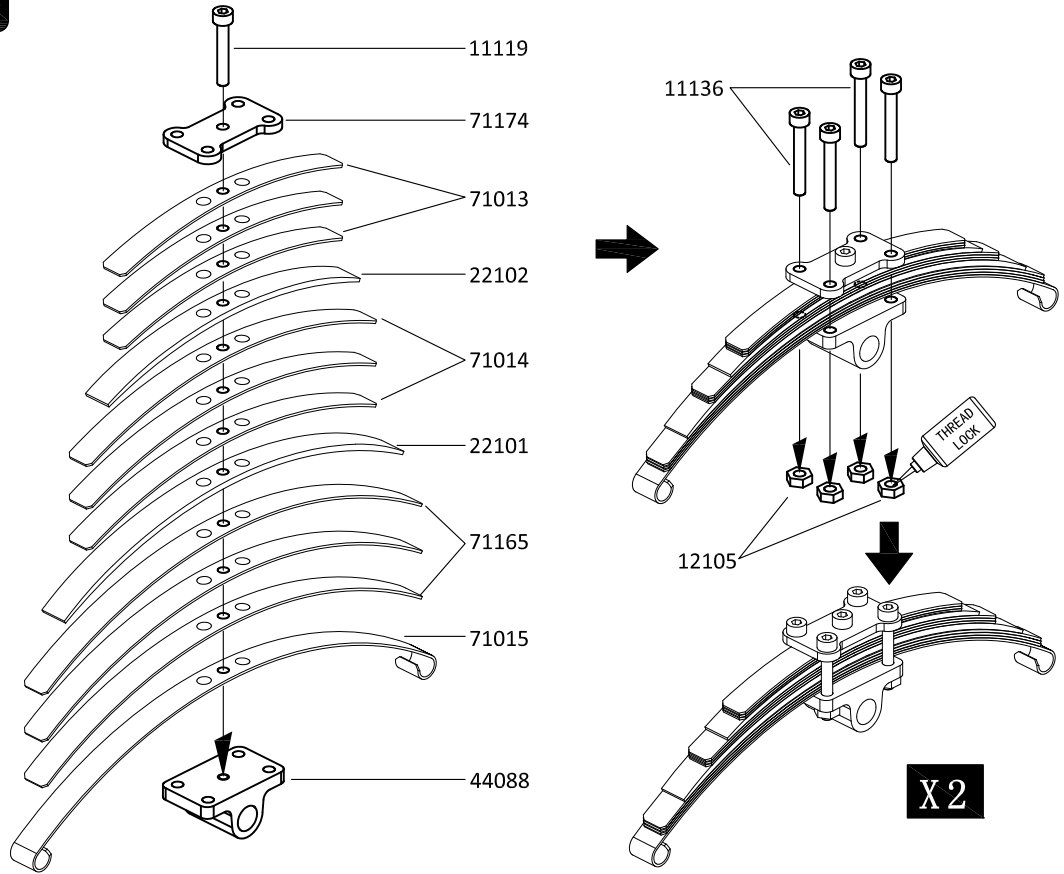


20


12105  M2.5 X8


11119  M2.5x16 X2

11136  M2.5x18 X8




21

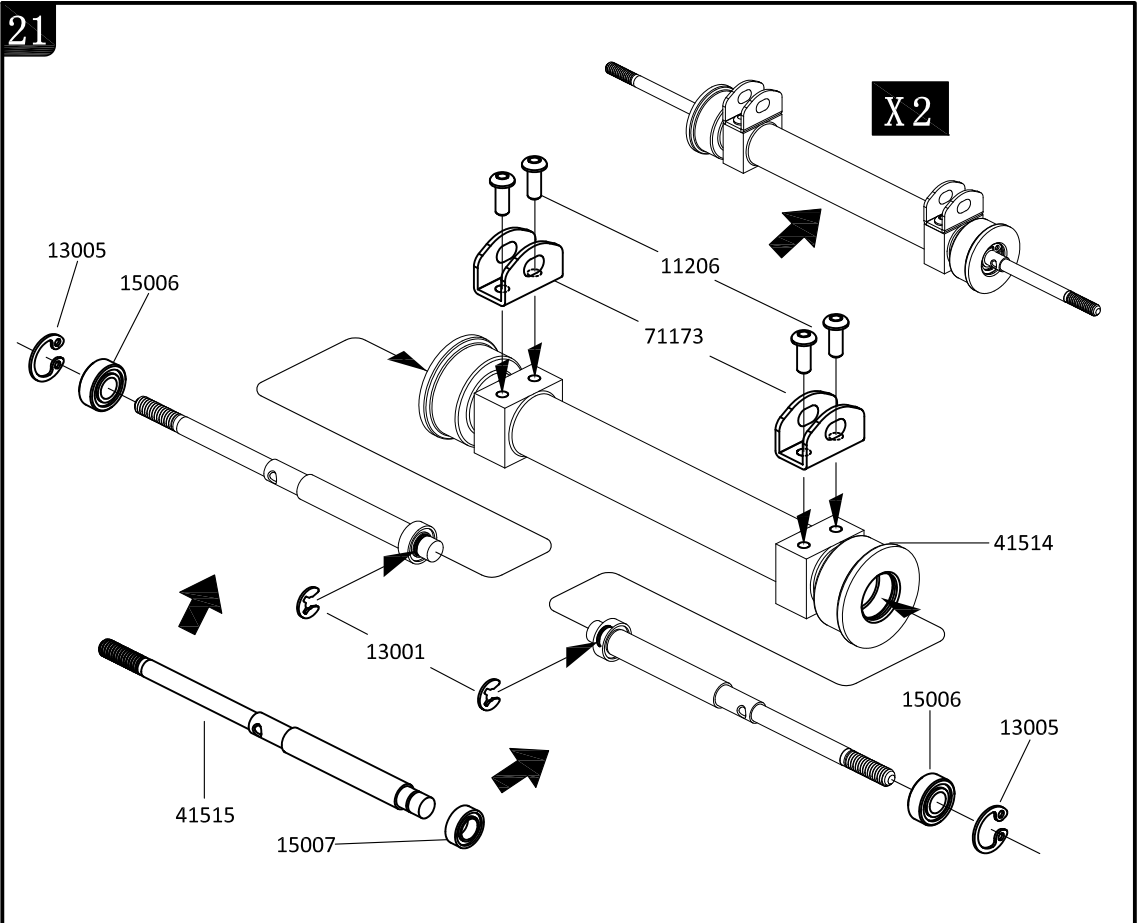
11206  M3x8 X8

13001  $\varnothing 3 \times \varnothing 7.2 \times 0.5$ X4



13005  $\varnothing 11 \times 0.8$ X4

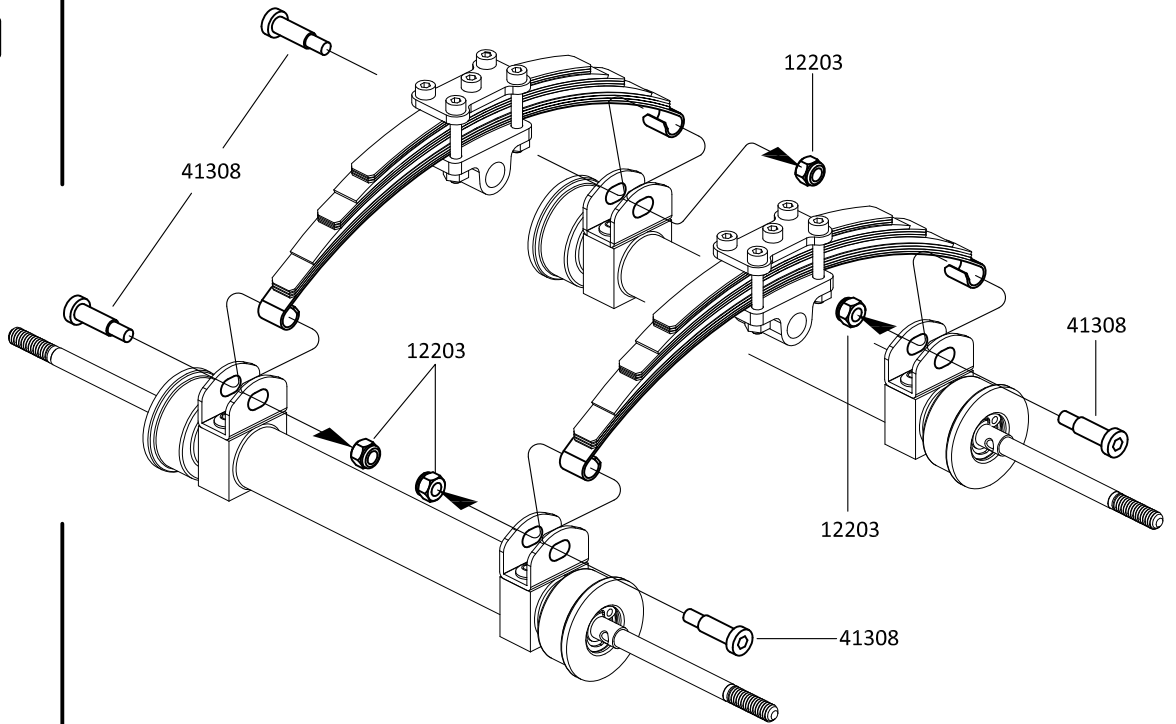
15006  $\varnothing 5 \times \varnothing 11 \times 4$ X4

15007  $\varnothing 5 \times \varnothing 9 \times 3$ X4




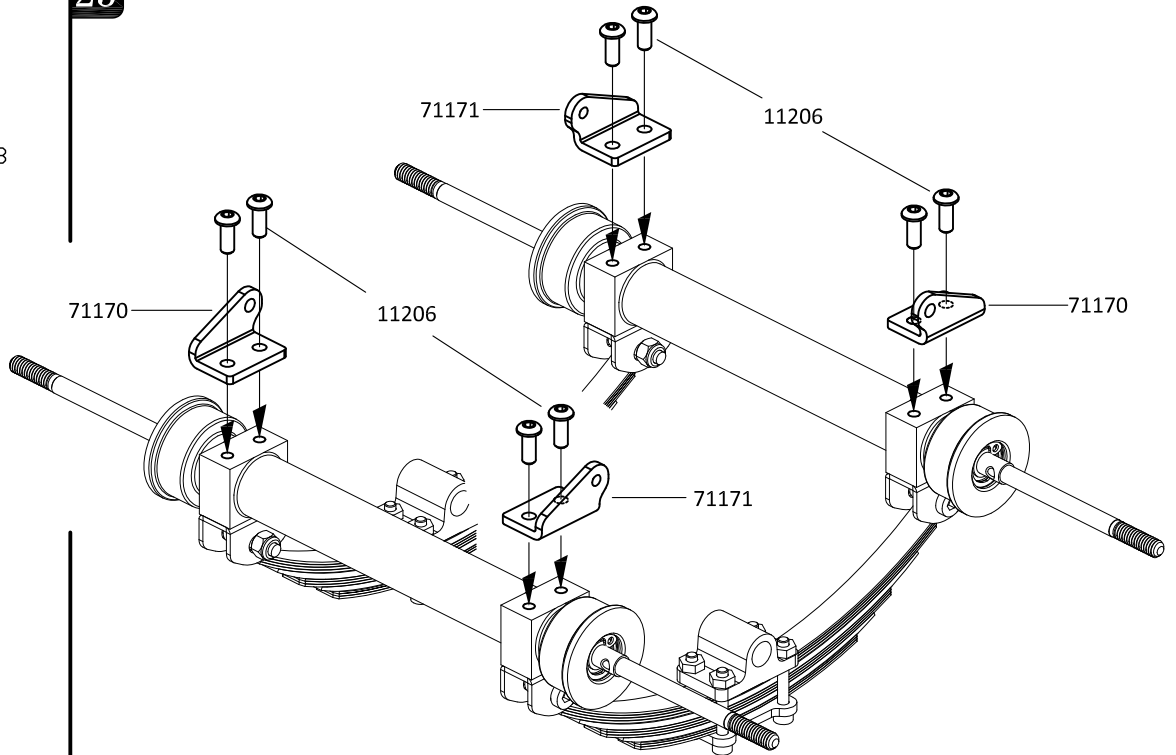
22

12203  
M3 X4





23

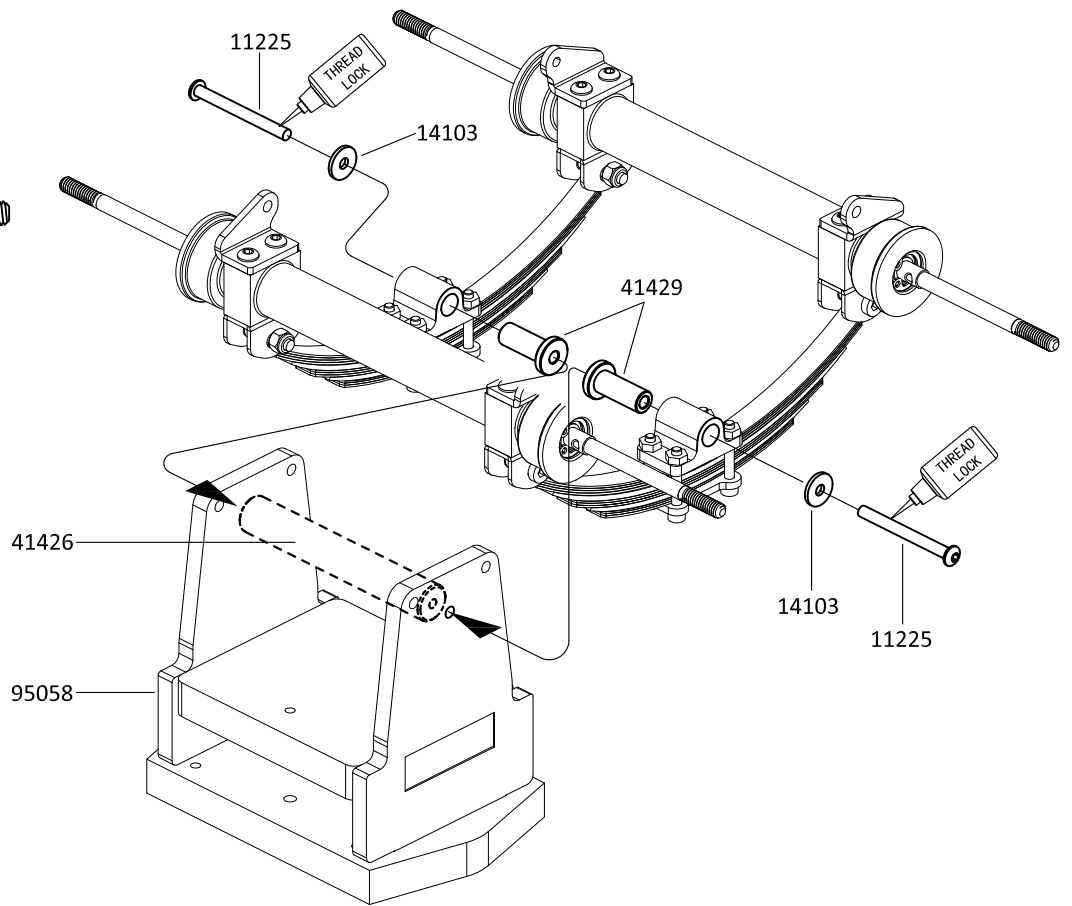
11206 
M3x8 X8





24


11225  M3x32 X2


14103  $\phi 3 \times \phi 9 \times 1$ X2

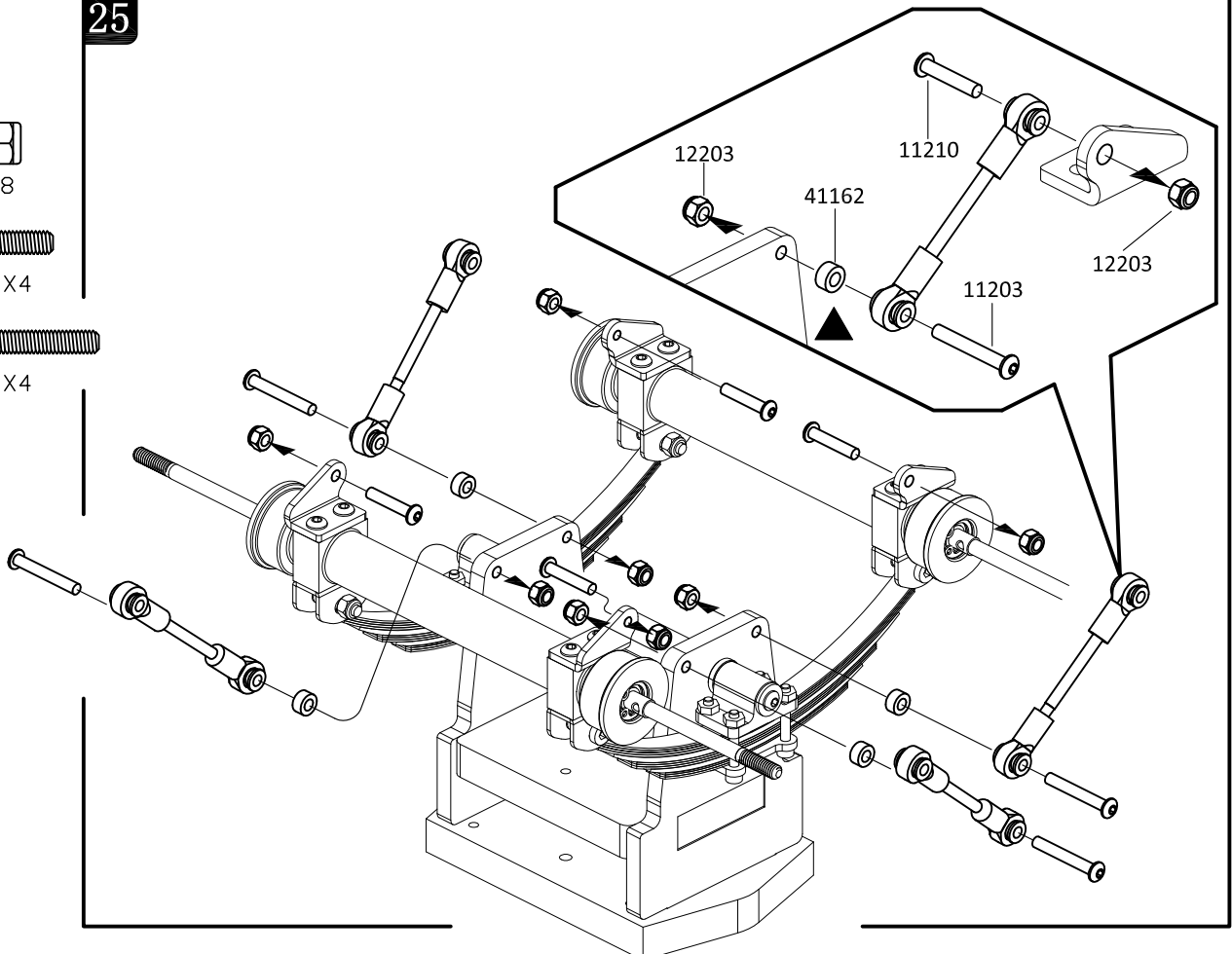


25

12203   M3 X8

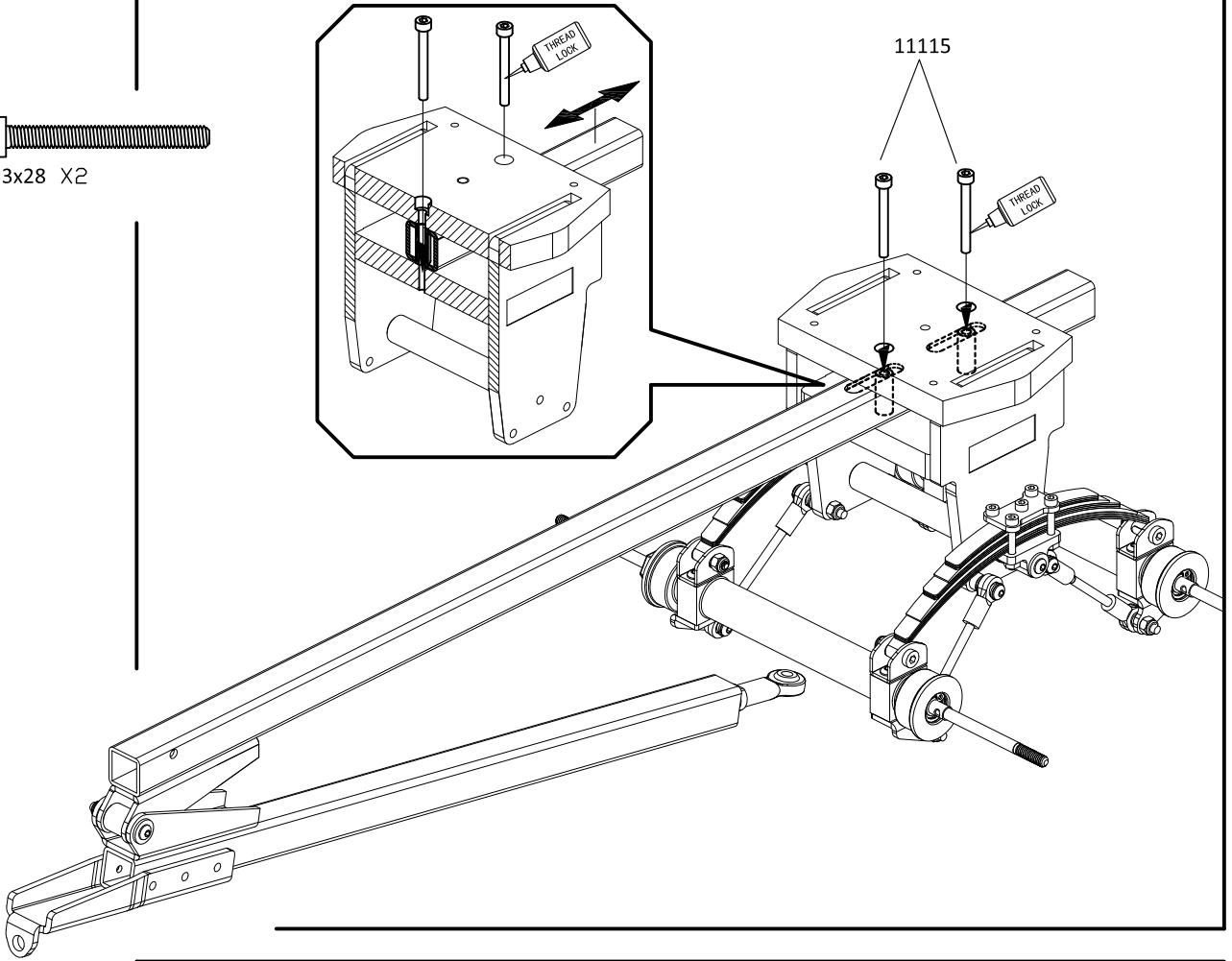
11210  M3x16 X4

11213  M3x22 X4



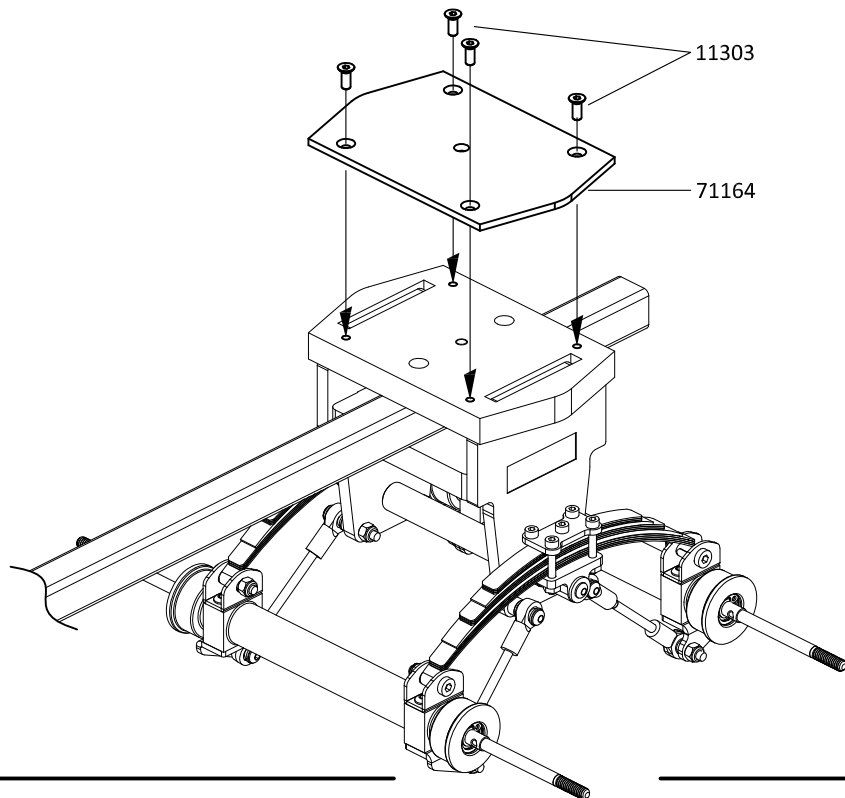
28

11115
M3x28 X2





29

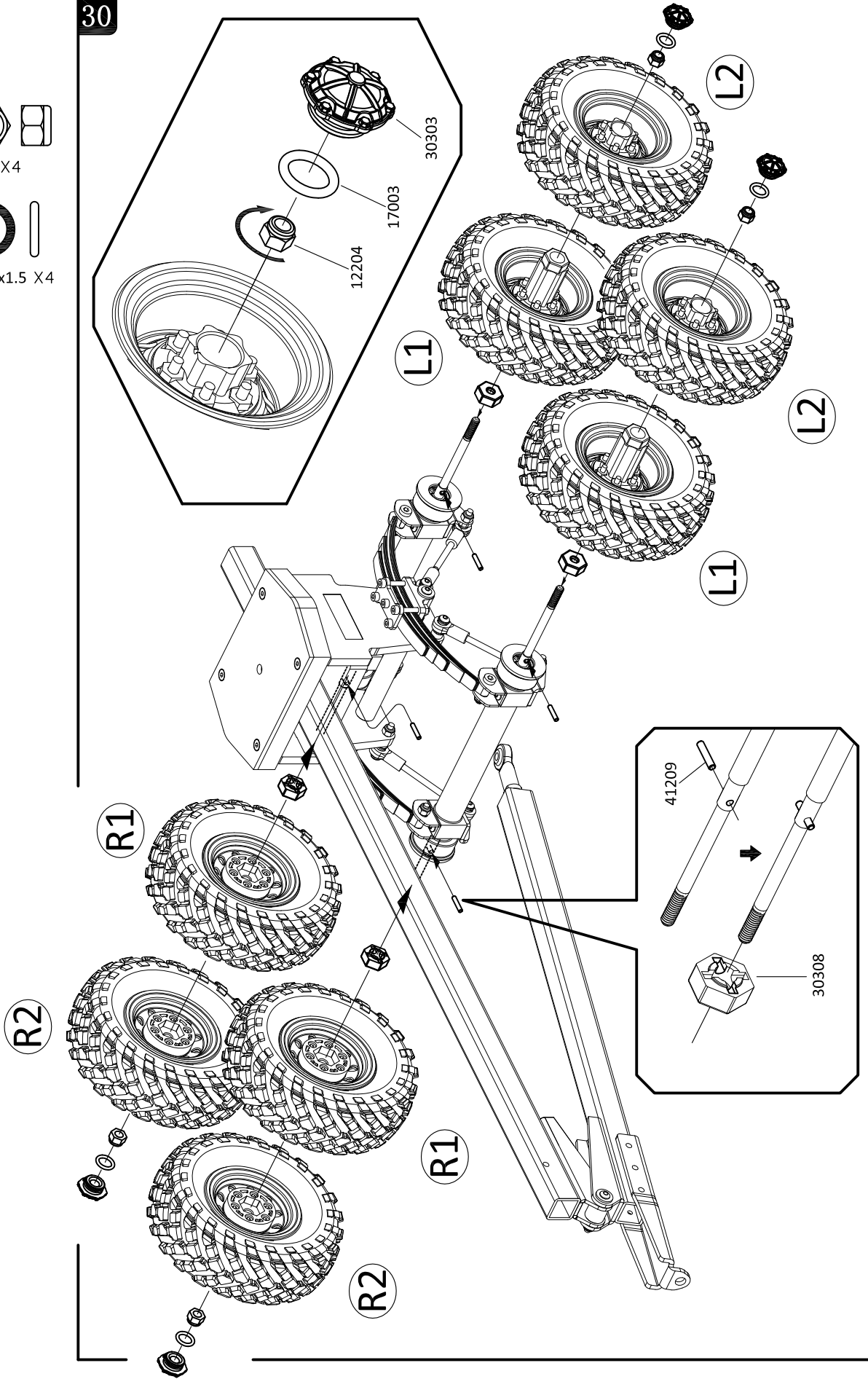
11303
M3x8 X4



30

12204 
M4 X4

17003 
ø10xø7x1.5 X4

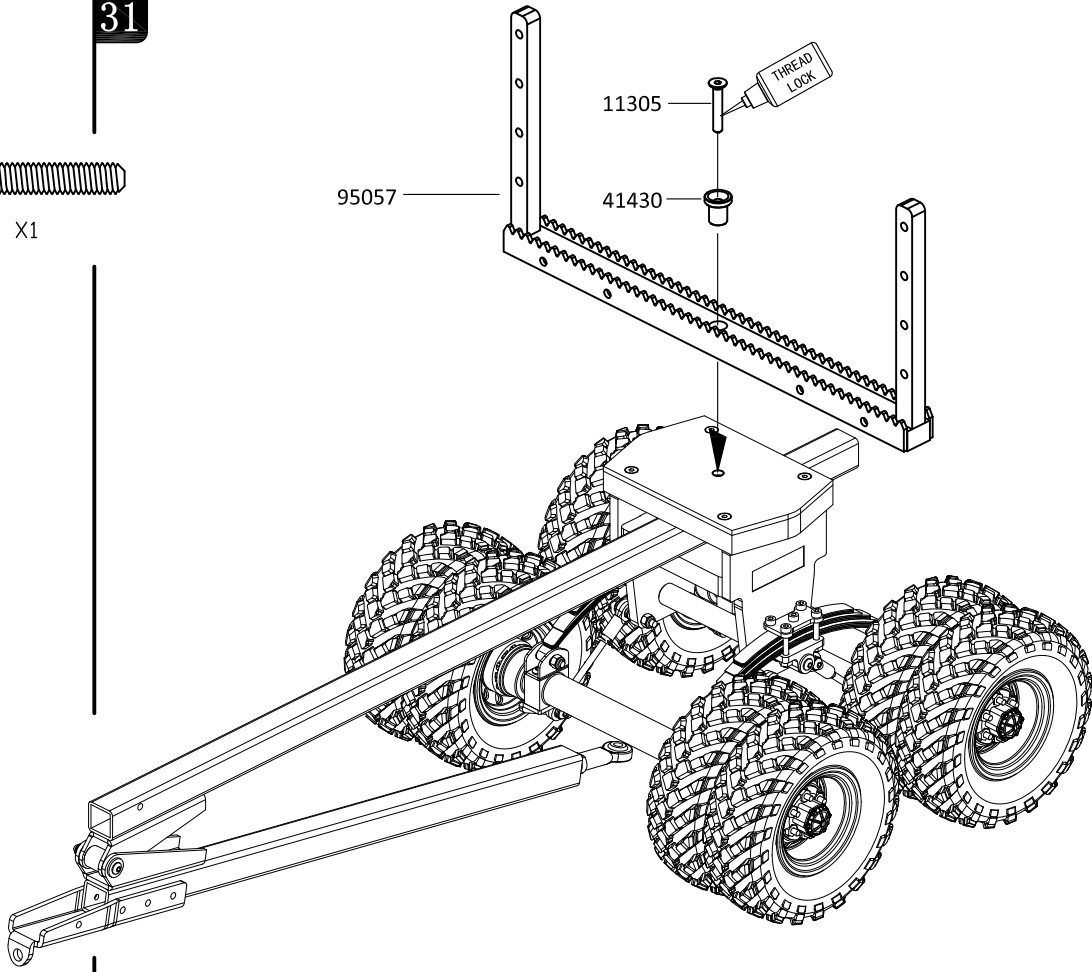


31

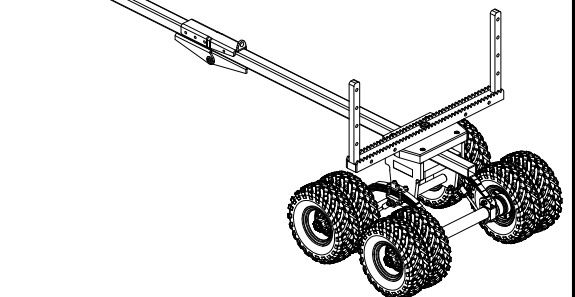
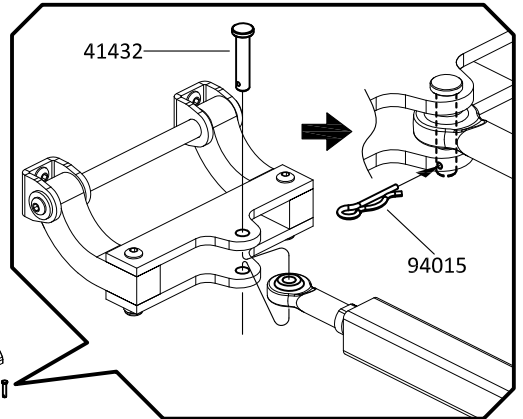
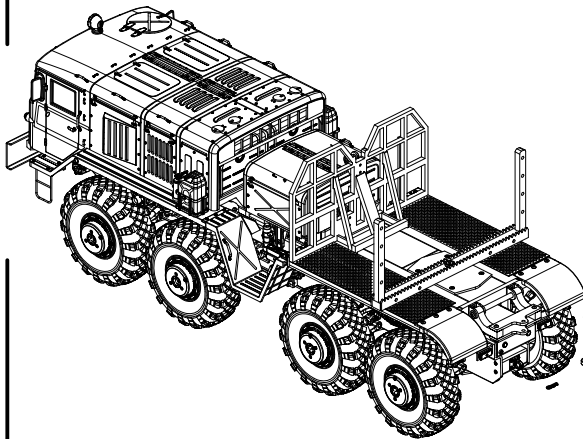
11305

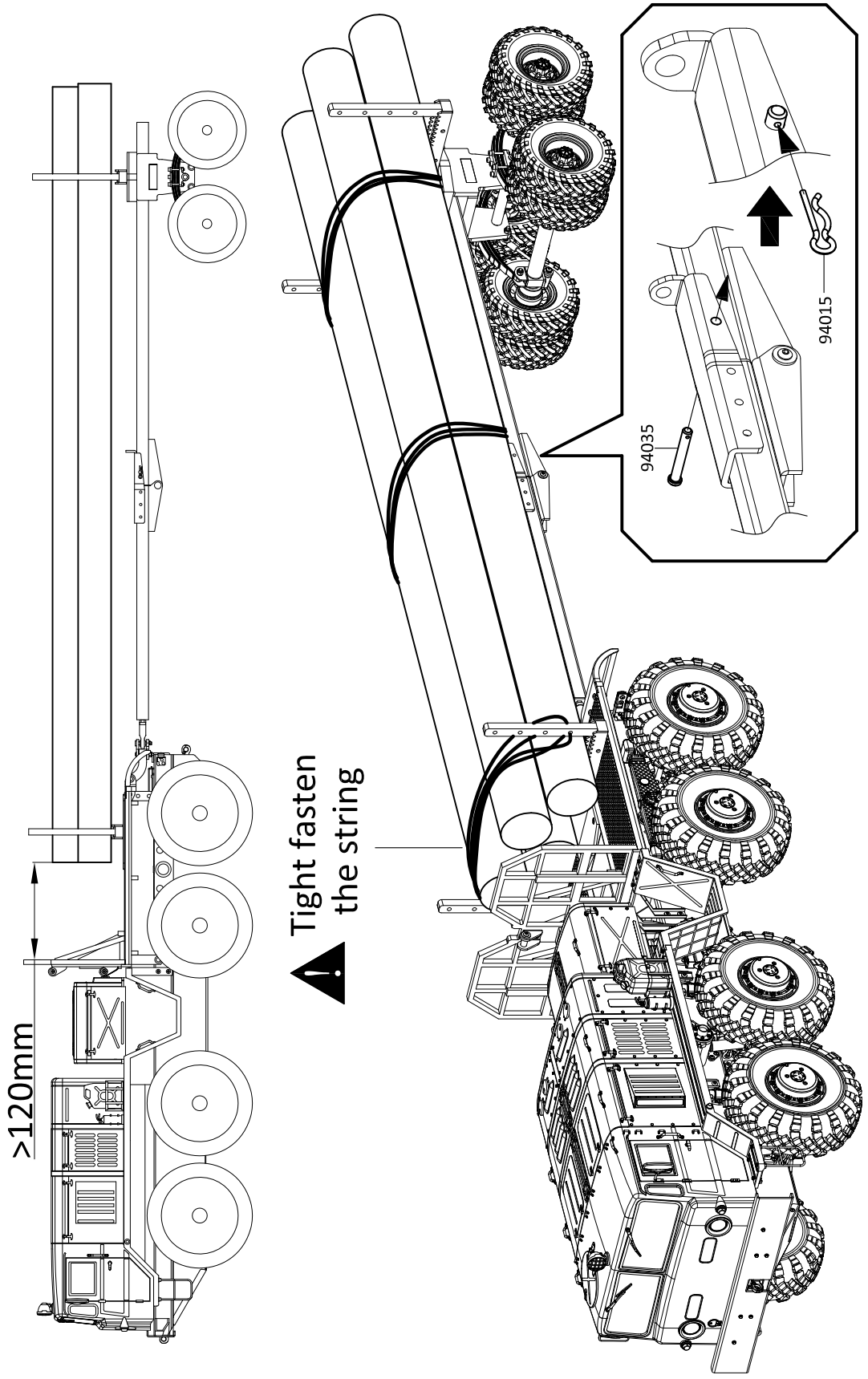


M4x25 X1



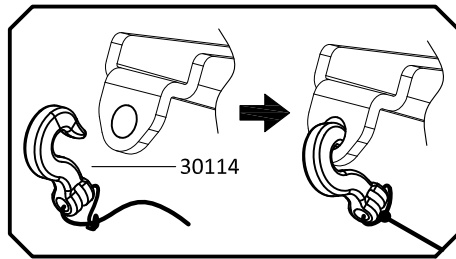
32



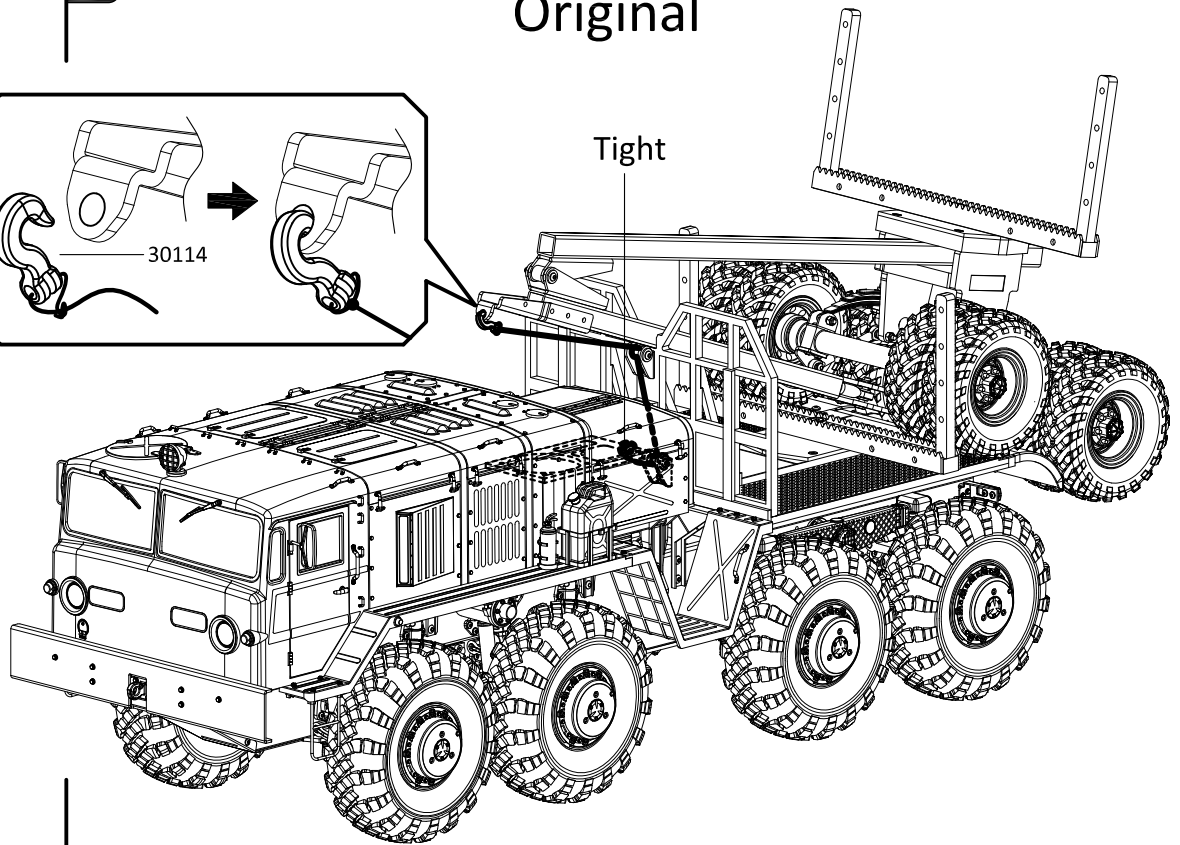


34

Original



Tight



35

Upgrade to winch

