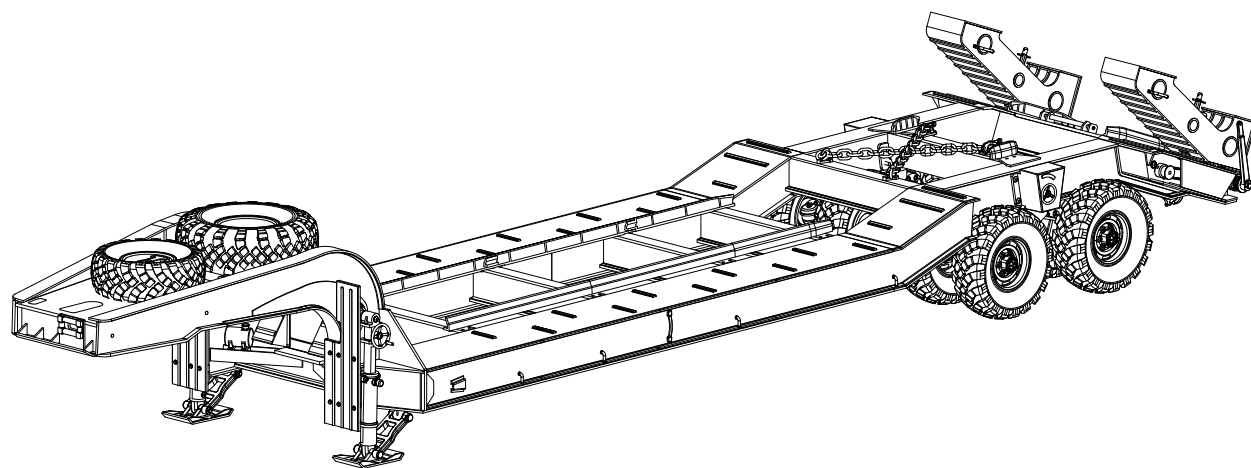


T247-拖车

(安装说明书)



CAUTIONS



To prevent serious personal injury and/or property damage, operate all remotely controlled models in a responsible manner as outlined herein.

◆ **Safety Precautions**

- 1.1 Choose a right place to operate your RC model.
- 1.2 Do not operate your RC model on the street or highway. It can cause a serious damage or a serious accident.
- 1.3 Never operate your RC model near people or animals.
- 1.4 Do not operate RC model in public places like hospital and residential areas.
- 1.5 Never operate RC model indoors. There is a higher possibility of fire or damage.
- 1.6 Keep the parts out of reach of children, small parts can cause choking and vinyl bags can suffocate.
- 1.7 Do not use with children younger than 14 years.

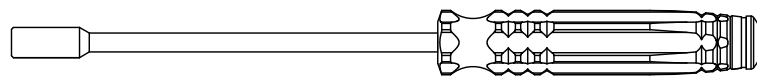
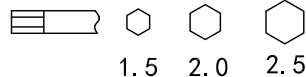
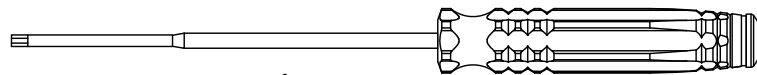
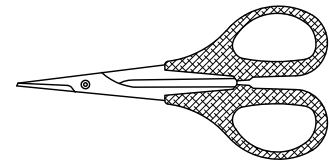
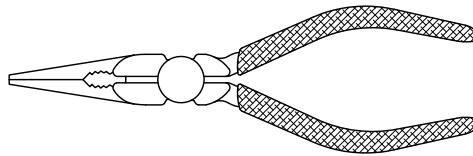
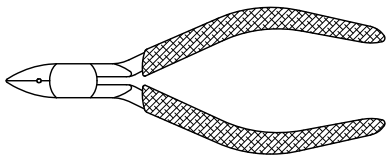
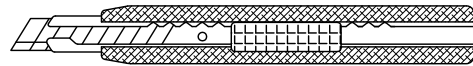
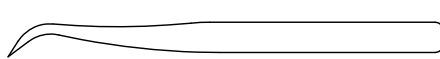
◆ **Inspect your RC model before operation**

- 2.1 Make sure that all screws and nuts are properly tightened. It is also a good idea to use removable thread lock wherever metal screws go into metal, especially for engine mounts and the engine pilot shaft.
- 2.2 Always use fresh batteries for your transmitter and for your receiver to avoid losing control of the model.
- 2.3 Always test the brakes and throttle before starting your engine to avoid losing control of the model.
- 2.4 Always turn on the transmitter first, and then turn on the receiver.

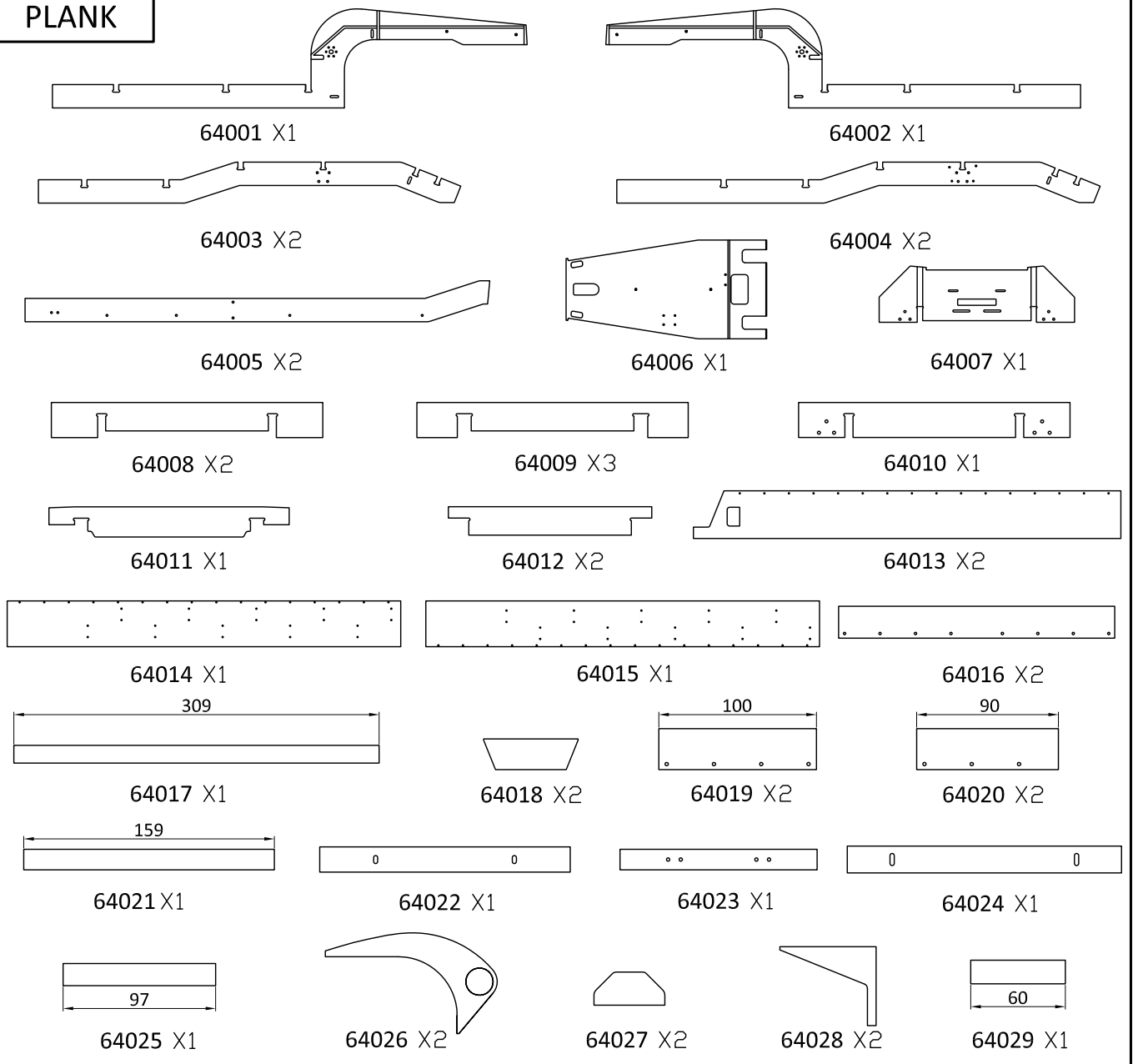
◆ **After operation of your RC model**

- 3.1 Turn off receiver first, then turn off transmitter, this will prevent runaways.
- 3.2 Be careful when handling batteries, they will be hot after running.
- 3.3 Replace any batteries that have been dented or have frayed wires, short circuits can cause fire.

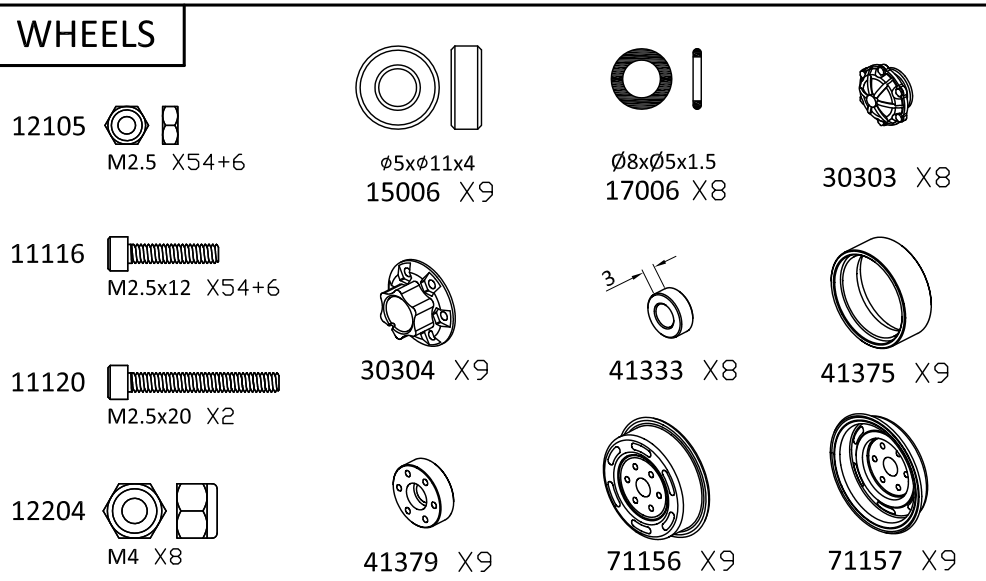
TOOLS
(Not included)



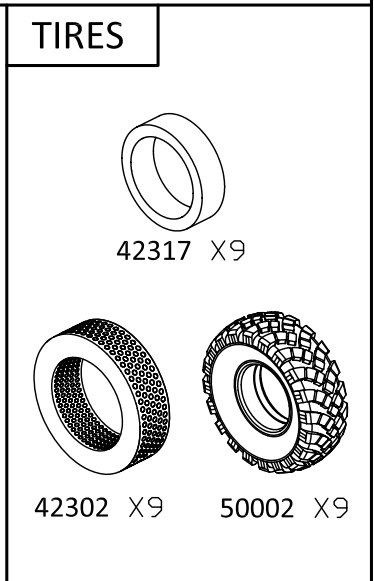
PLANK




WHEELS




TIRES



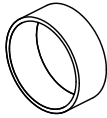
SPARE TIRES

12103 
M3 X6

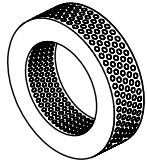
11107 
M3x10 X6



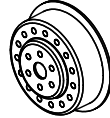
31601 X1



41313 X1



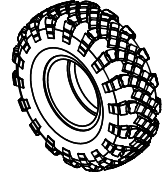
42314 X1



71128 X1




71129 X1



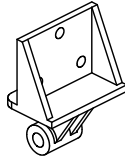
50032 X1

BAG(A)

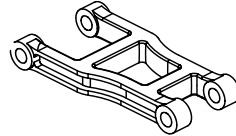
11227 
M2.5x8 X4



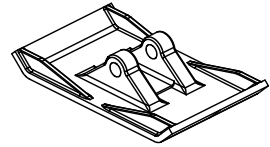
207201 X2




33401 X2

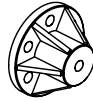


33402 X2



33403 X2

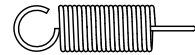
11228 
M2.5x12 X2



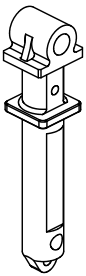
33404 X2



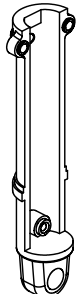
33405 X2



41351 X2



33501 X2



33502 X2



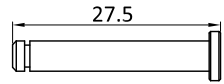
33503 X2



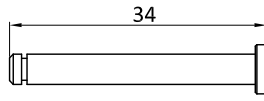
41380 X2



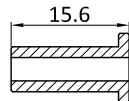
41438 X2



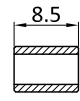
41440 X2



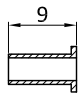
41441 X2



41445 X2



41447 X2

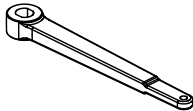


41448 X2

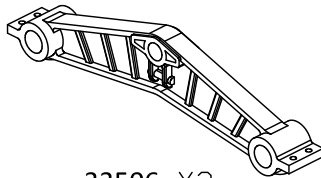
BAG(B)



33504 X2



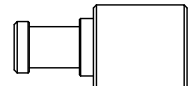
33505 X2



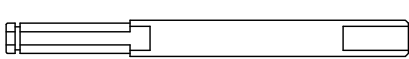
33506 X2



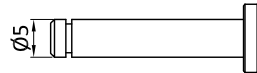
41205 X2



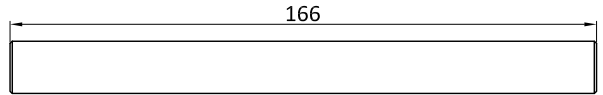
41436 X1



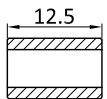
41437 X2



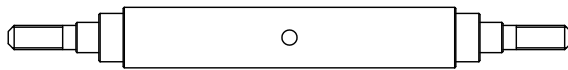
41439 X2



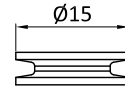
41443 X1



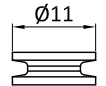
41444 X2



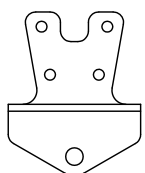
41516 X4



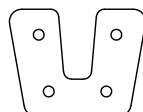
41519 X1



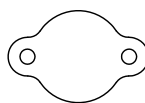
41520 X1



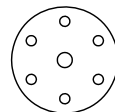
44093 X2



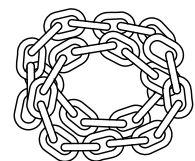
71180 X2



71181 X1

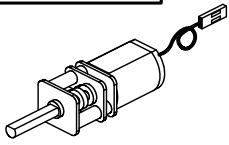


73069 X2

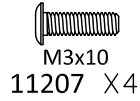


94021 X3

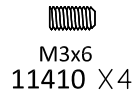
BAG(C)



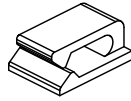
10628 X2
86070 X2



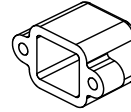
M3x10
11207 X4



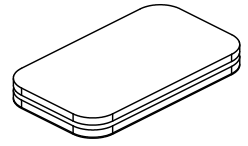
M3x6
11410 X4



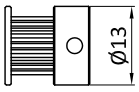
13101 X15



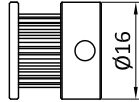
206806 X2



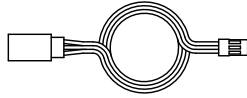
85047 X 1
85048 X 1



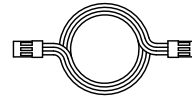
41521 X2



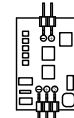
41522 X2



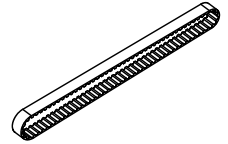
86092 X1



86094 X1

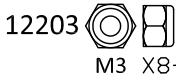


87091 X1

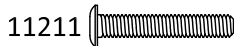


91110 X2

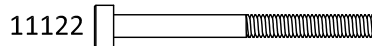
BAG(D)



M3 X8+3



11211
M3x18 X8



11122
M3x35 X2



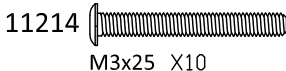
φ3xφ7x0.5
13001 X6



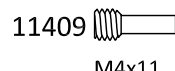
φ3.8xφ9.2x0.6
13002 X 2



11205
M3x6 X12



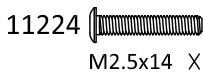
11214
M3x25 X10



11409
M4x11 X4



M3x10 X6



11224
M2.5x14 X12

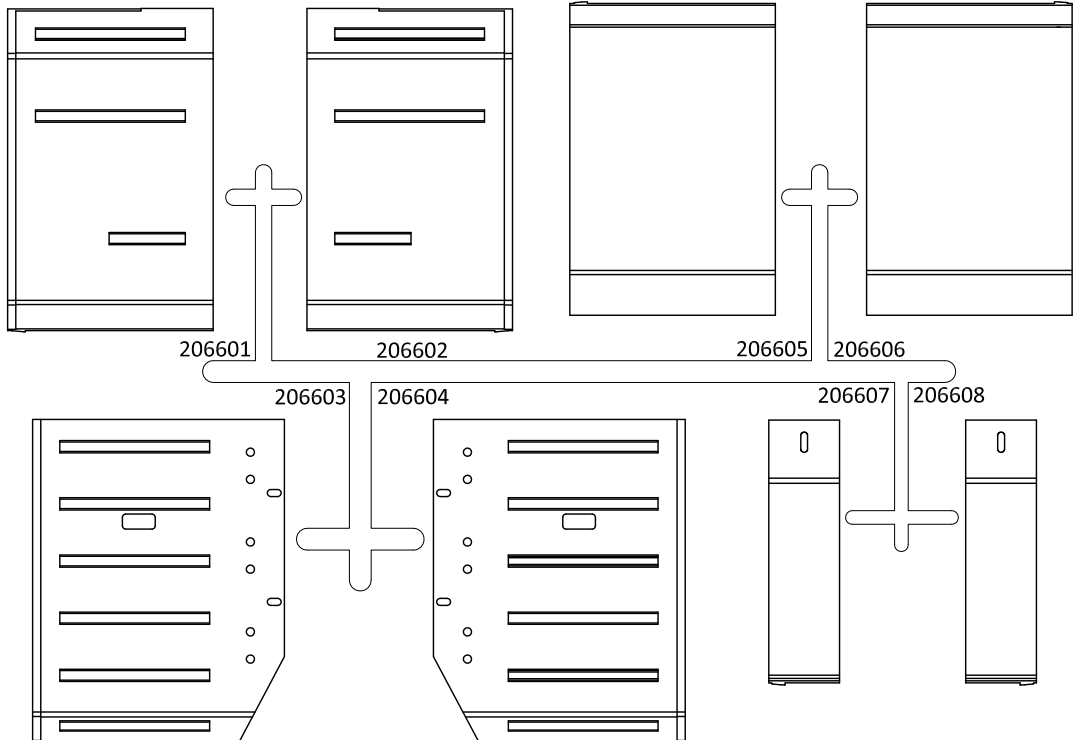


φ3xφ7x0.5
14102 X10+3



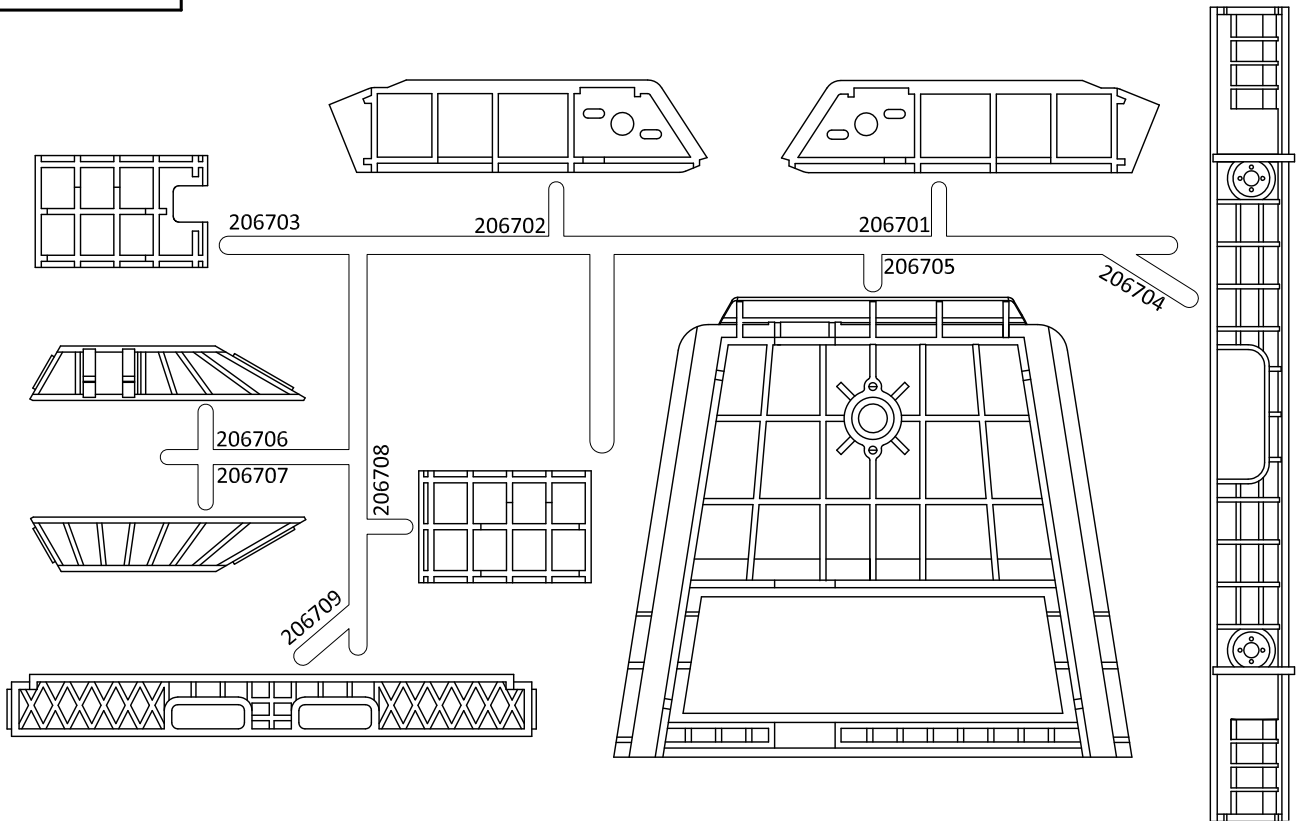
94015 X2

No.2066



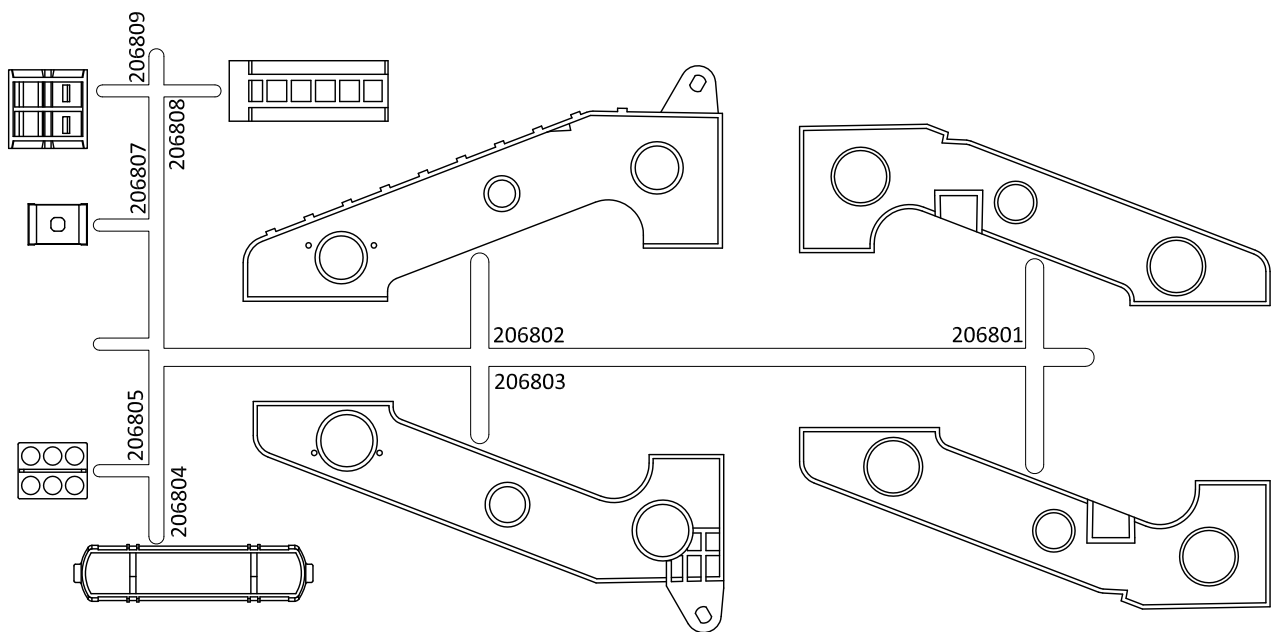
2066 X1

No.2067



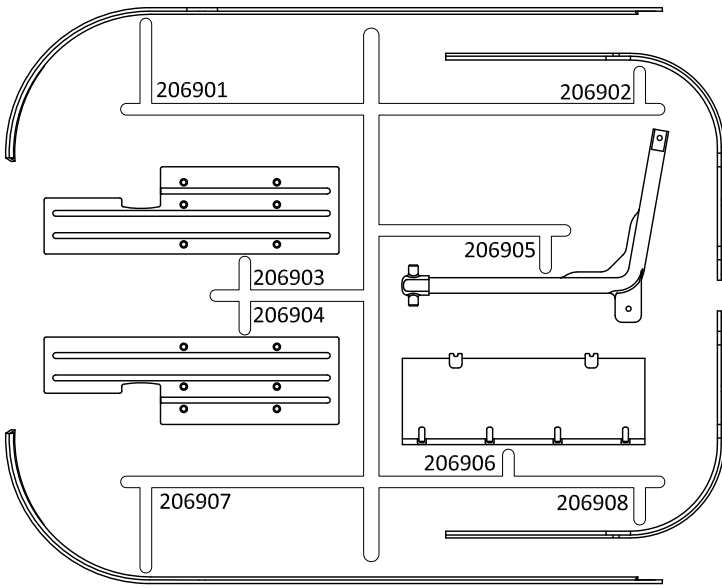
2067 X1

No.2068



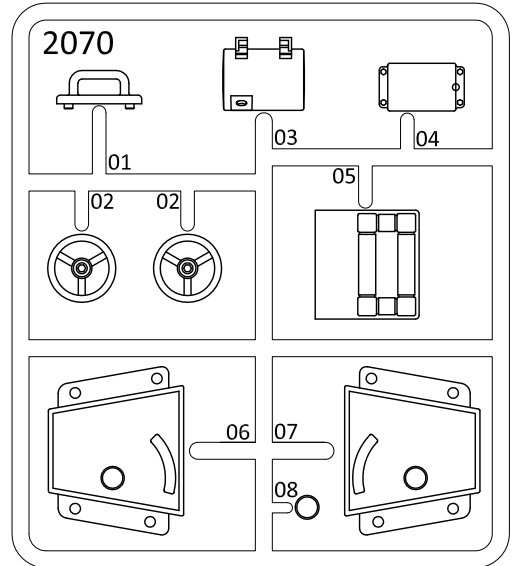
2068 X2

No.2069



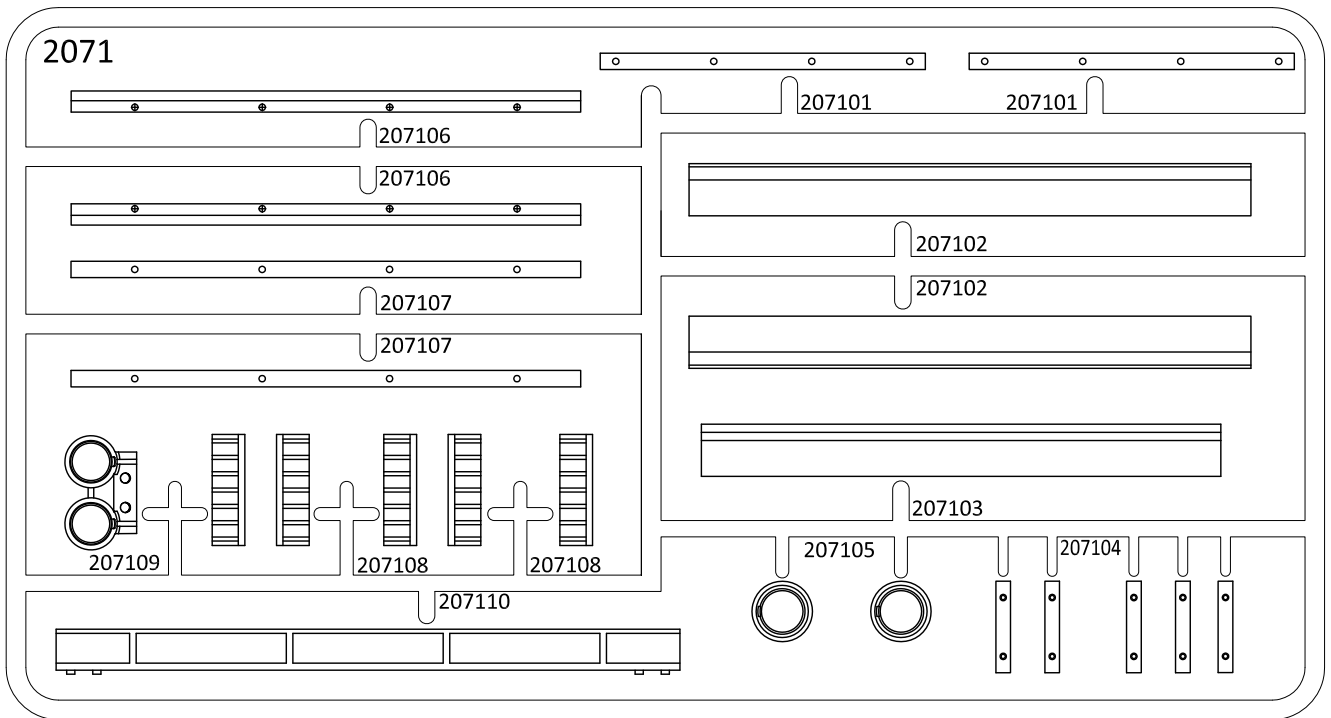
2069 X1

No.2070



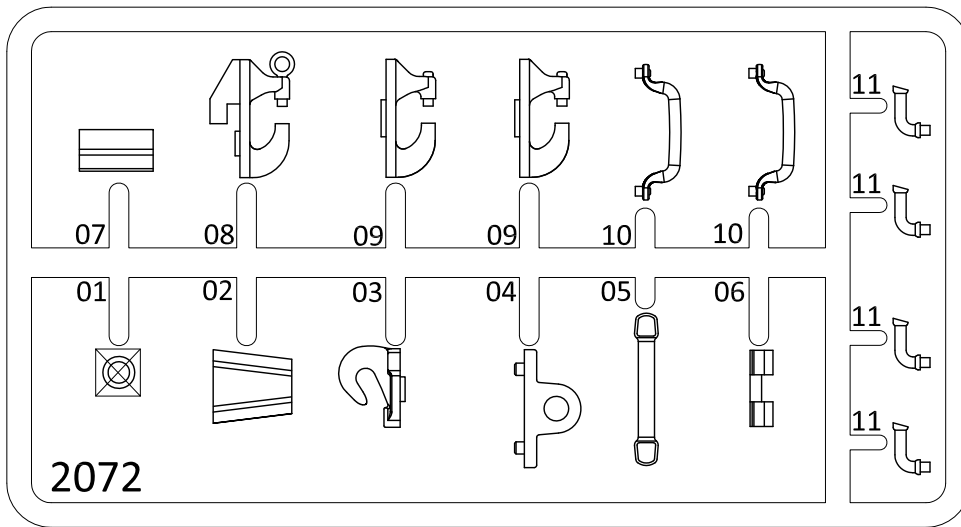
2070 X1

No.2071



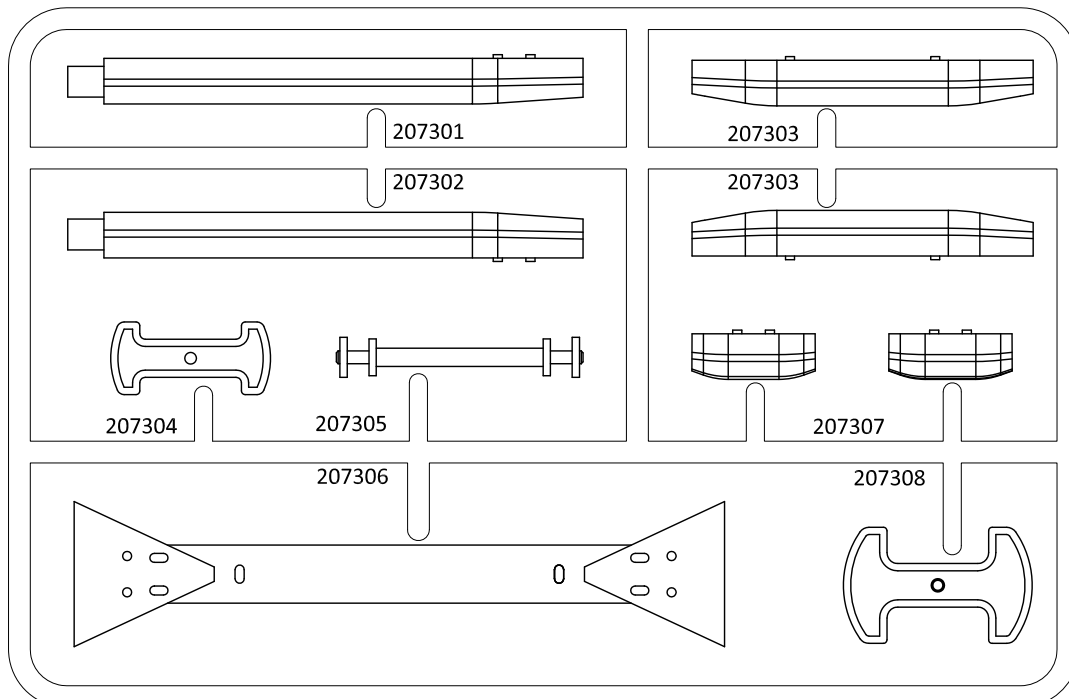
2071 X4

No.2072

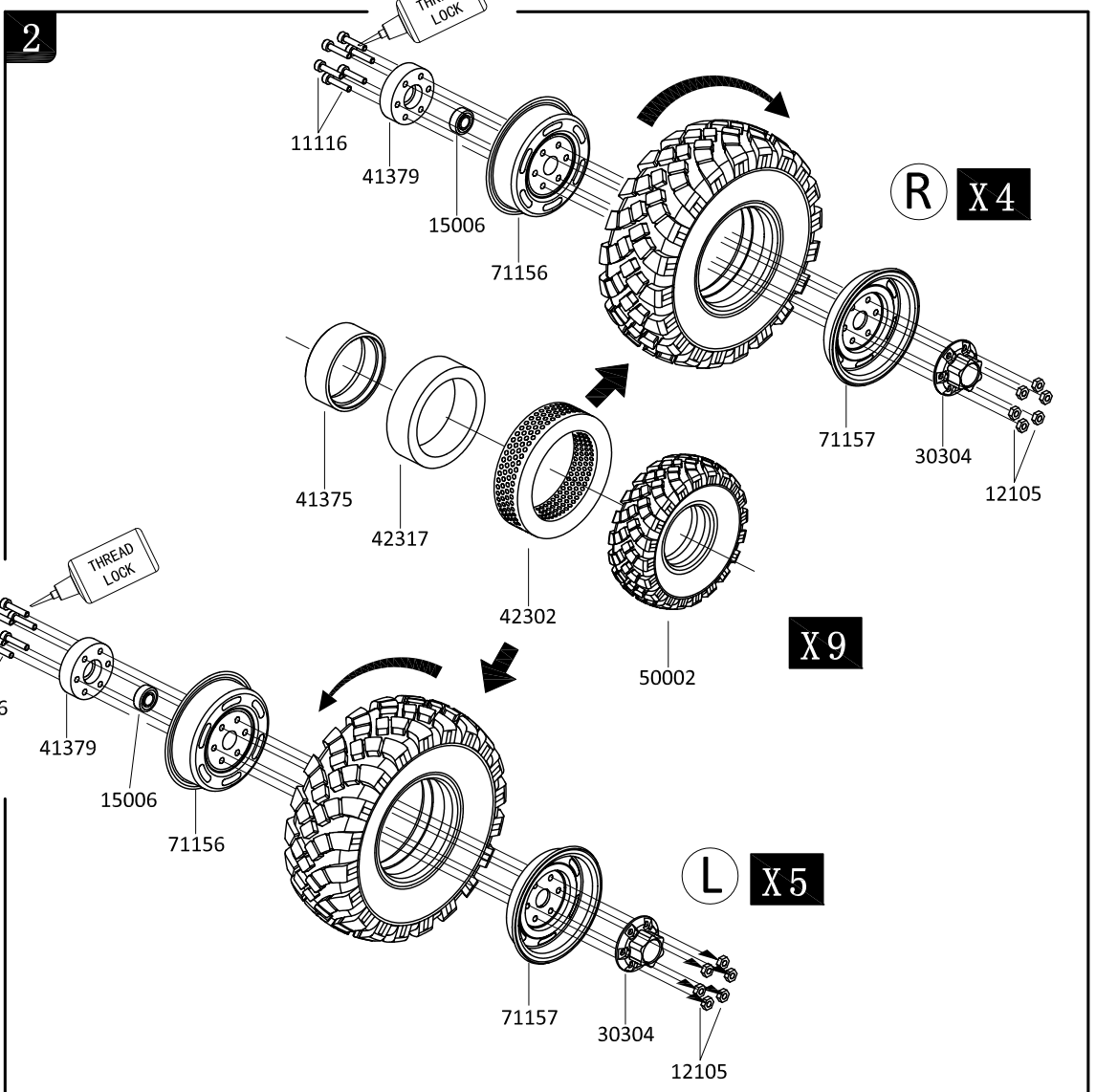
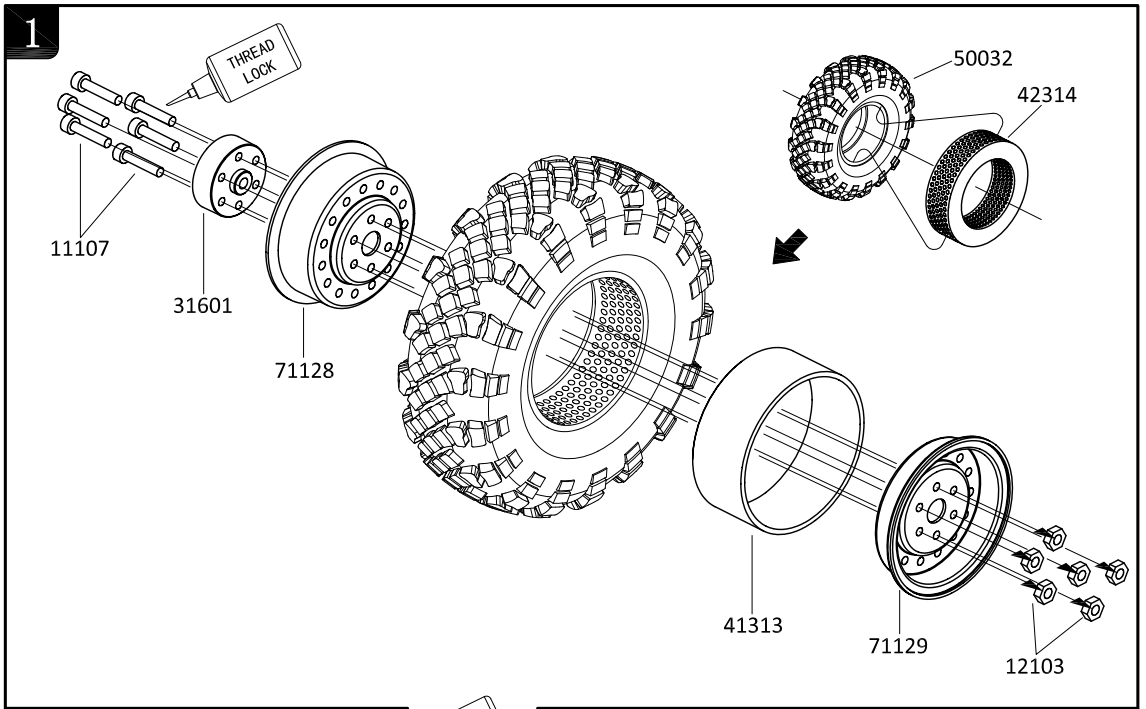


2072 X2

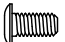
No.2073

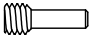


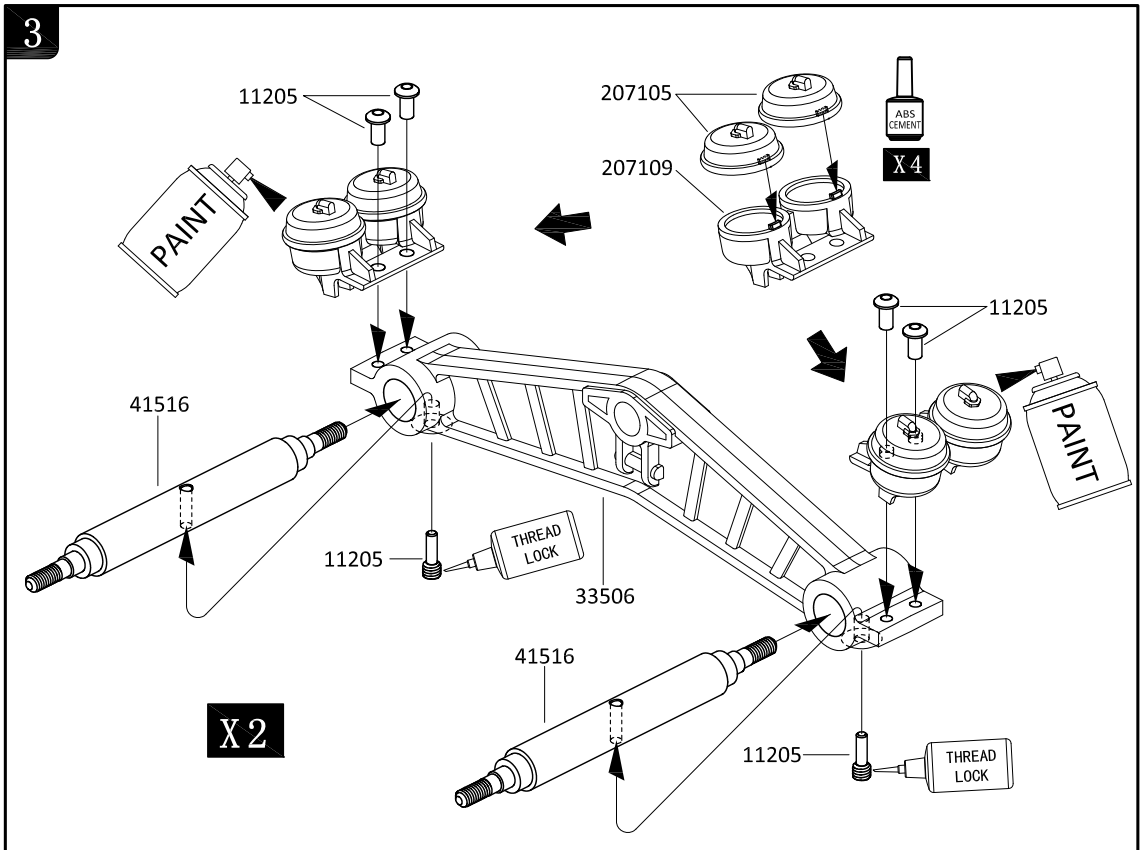
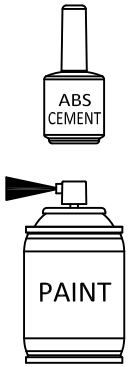
2073 X1




3

11205 
M3x6 X4

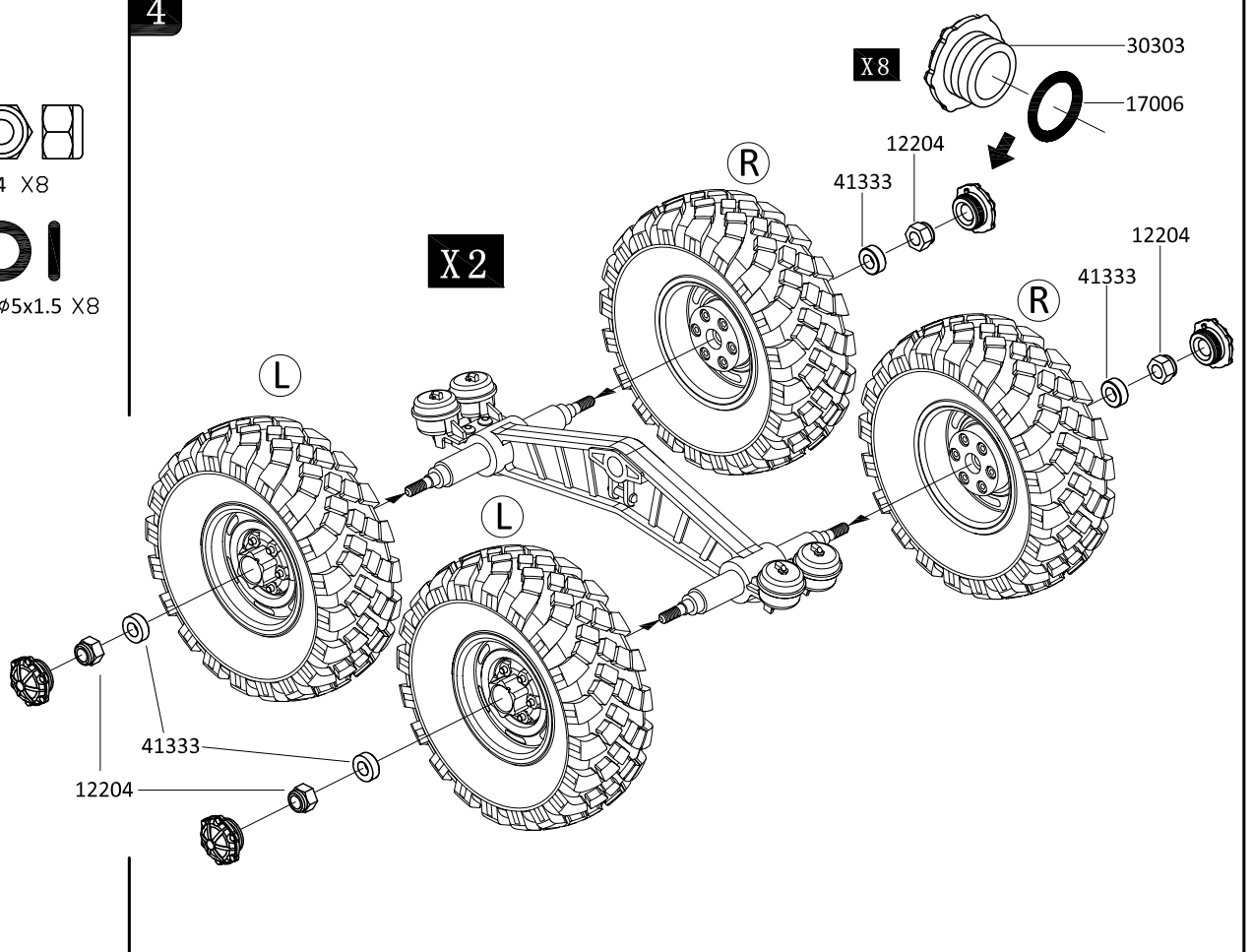
11409 
M4x11 X4

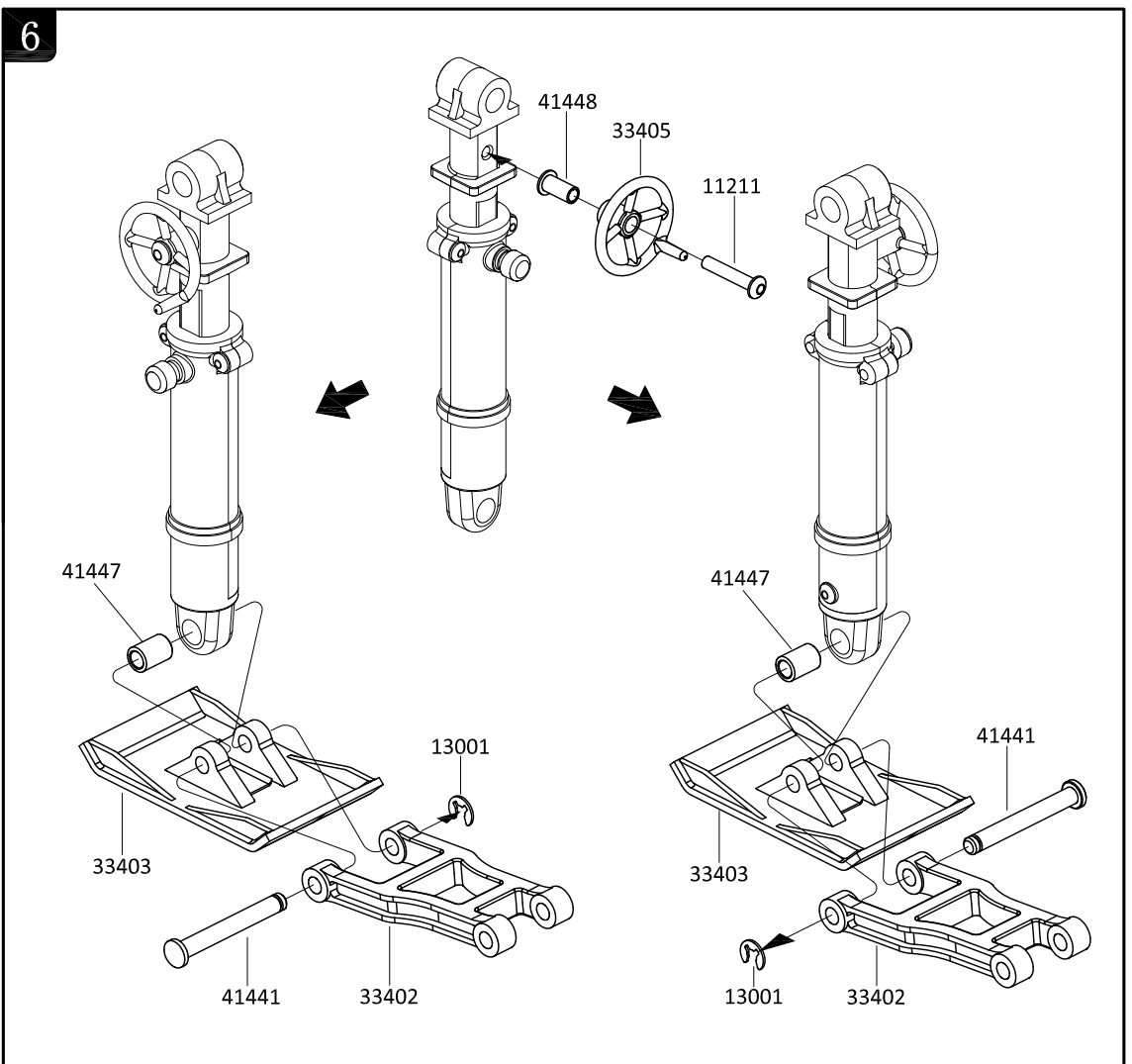
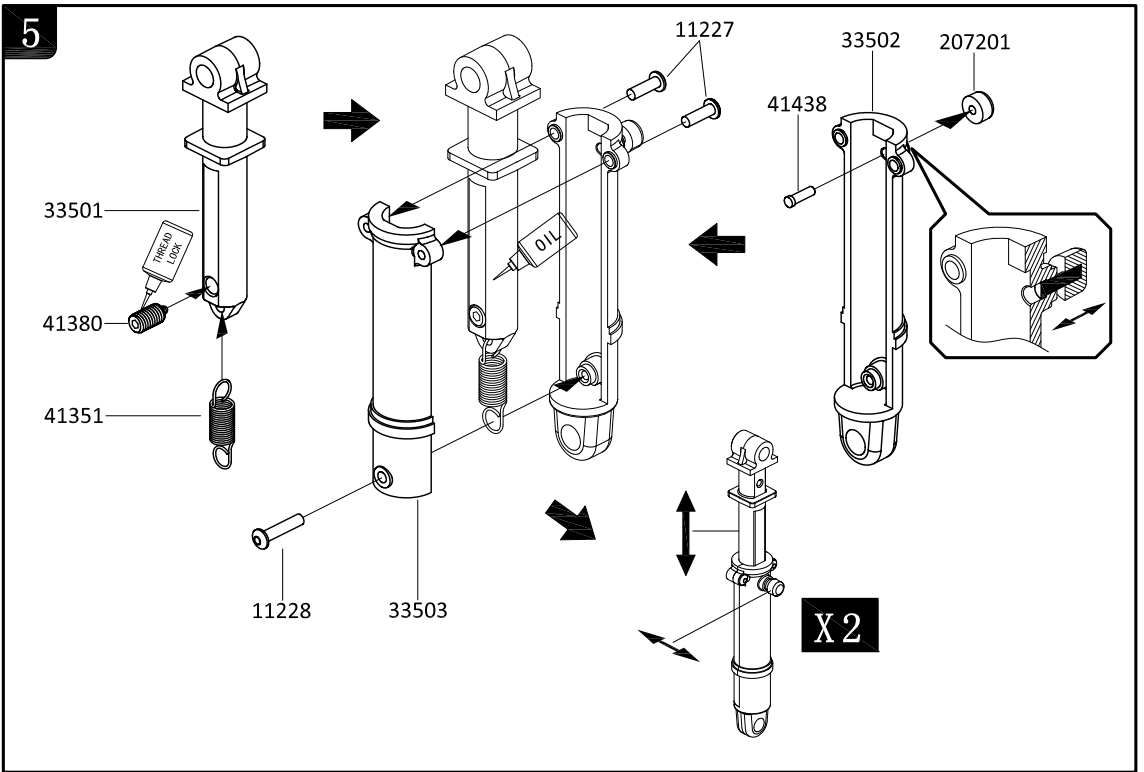


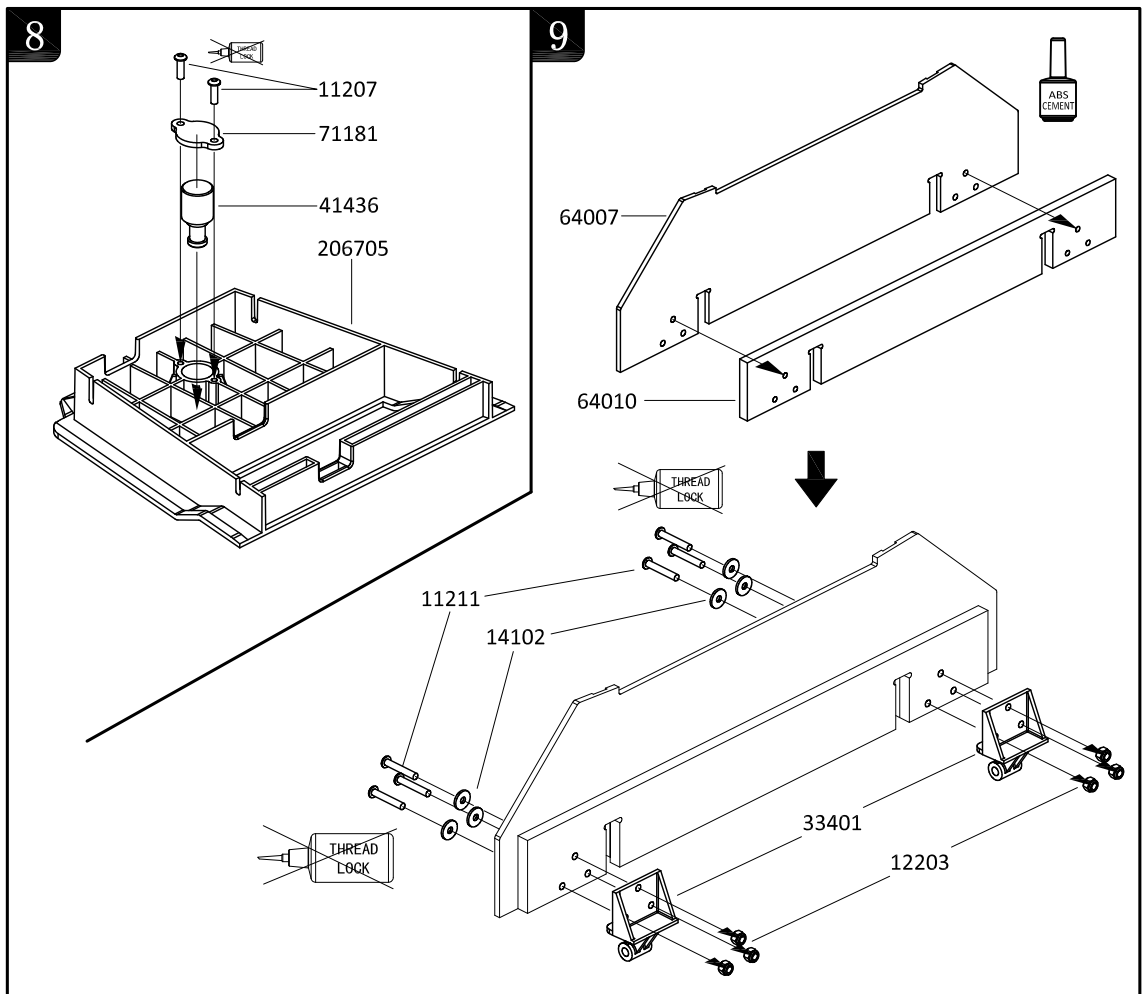
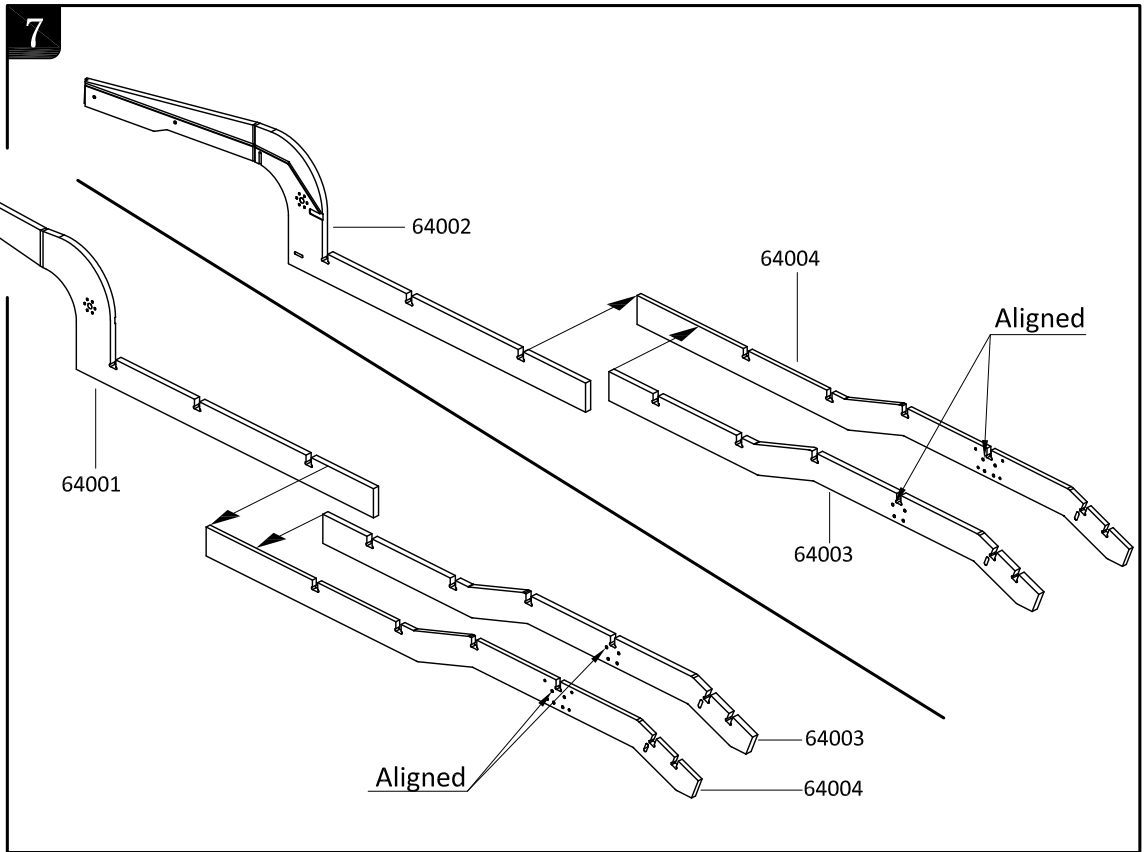
4


12204 
M4 X8


17006 
ø8xø5x1.5 X8

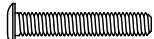







11207 
M3x10 X2

12203 
M3 X6

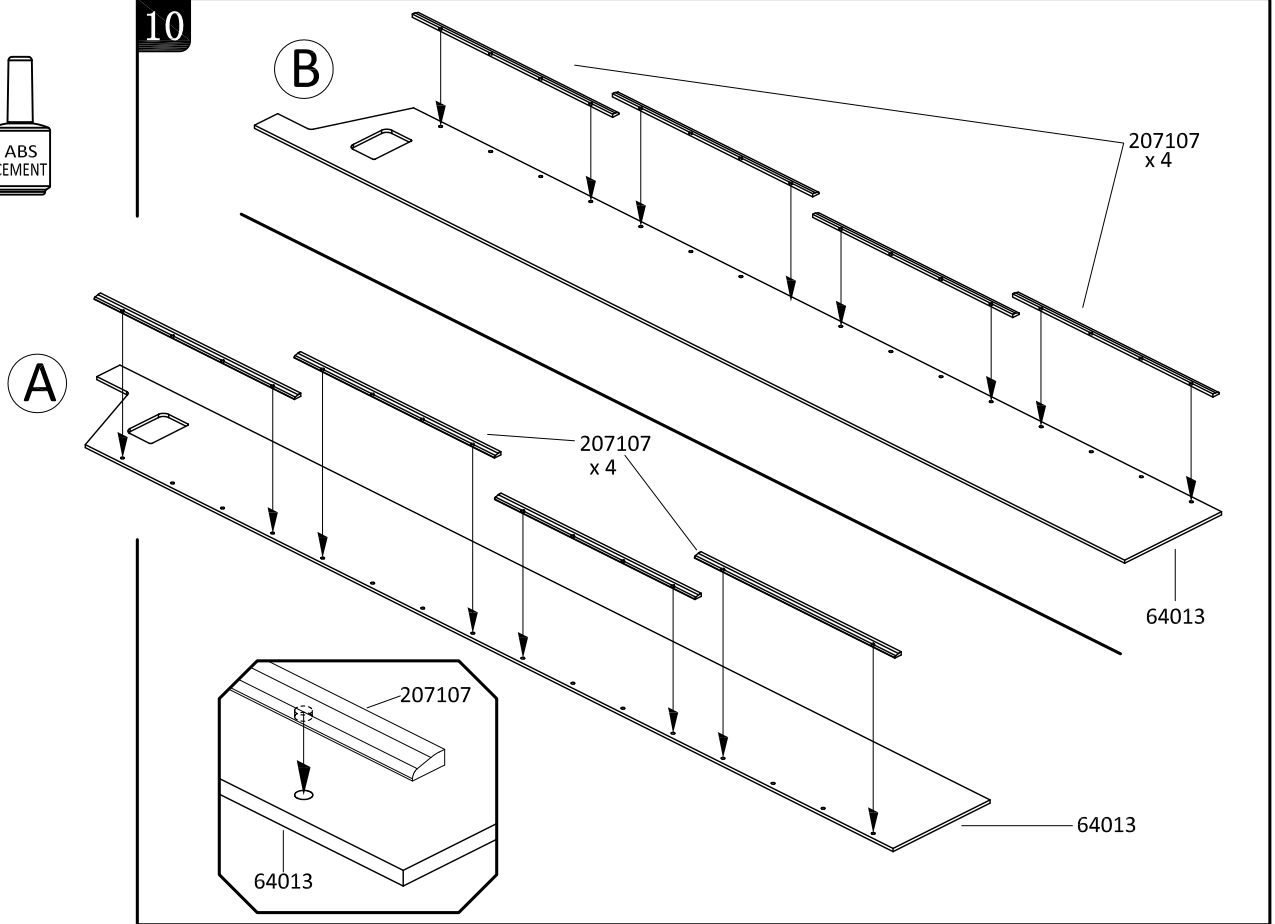
11211 
M3x18 X6

14102 
Ø3xØ7x0.5 X6

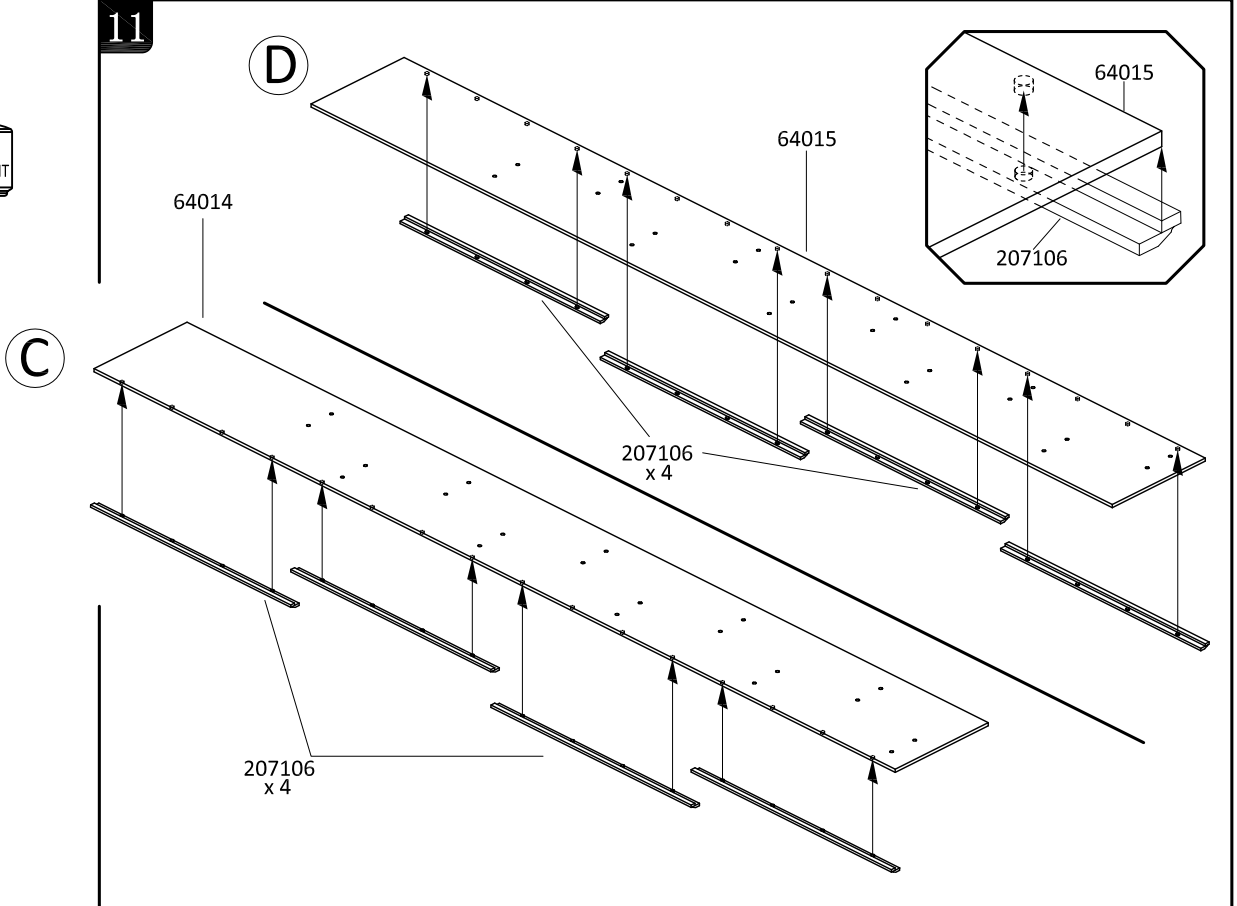




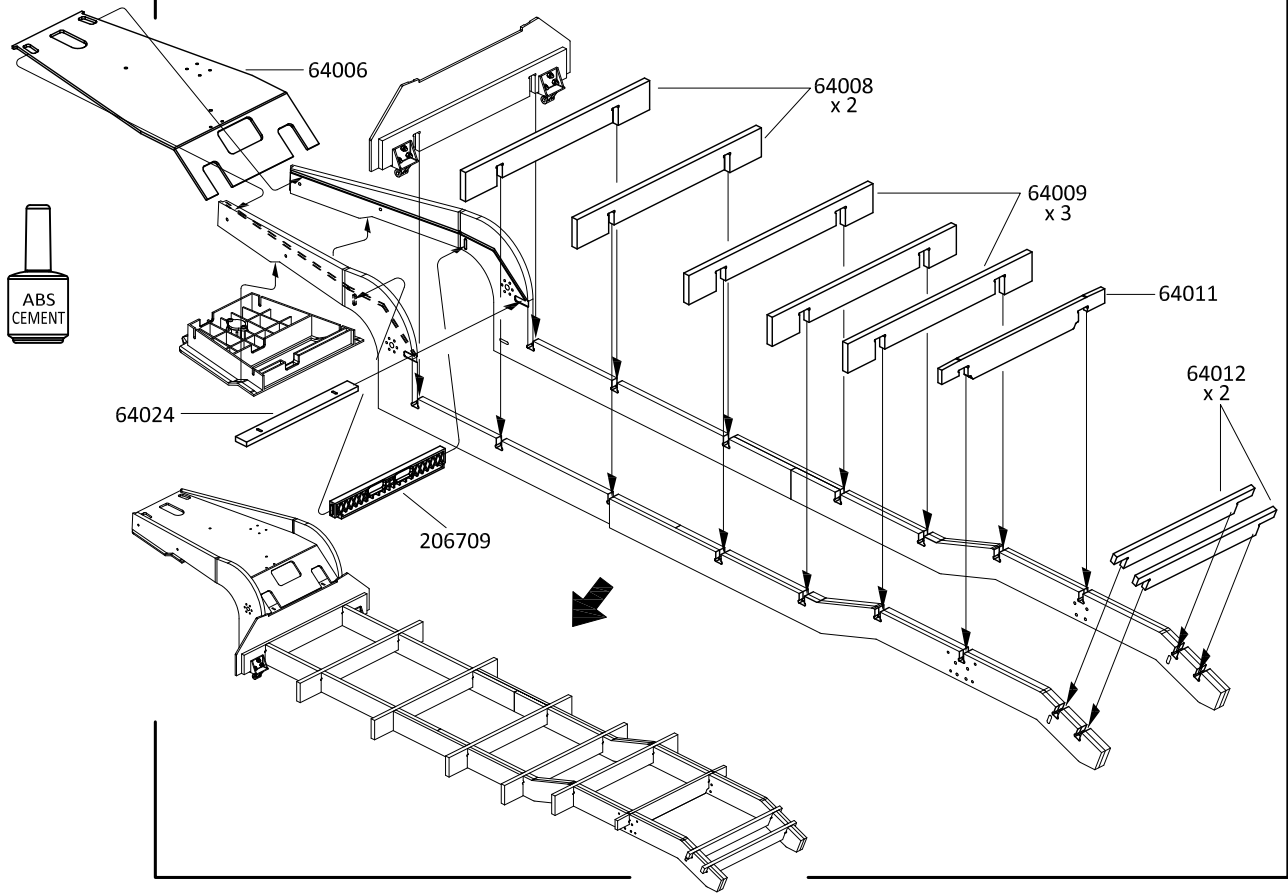
10



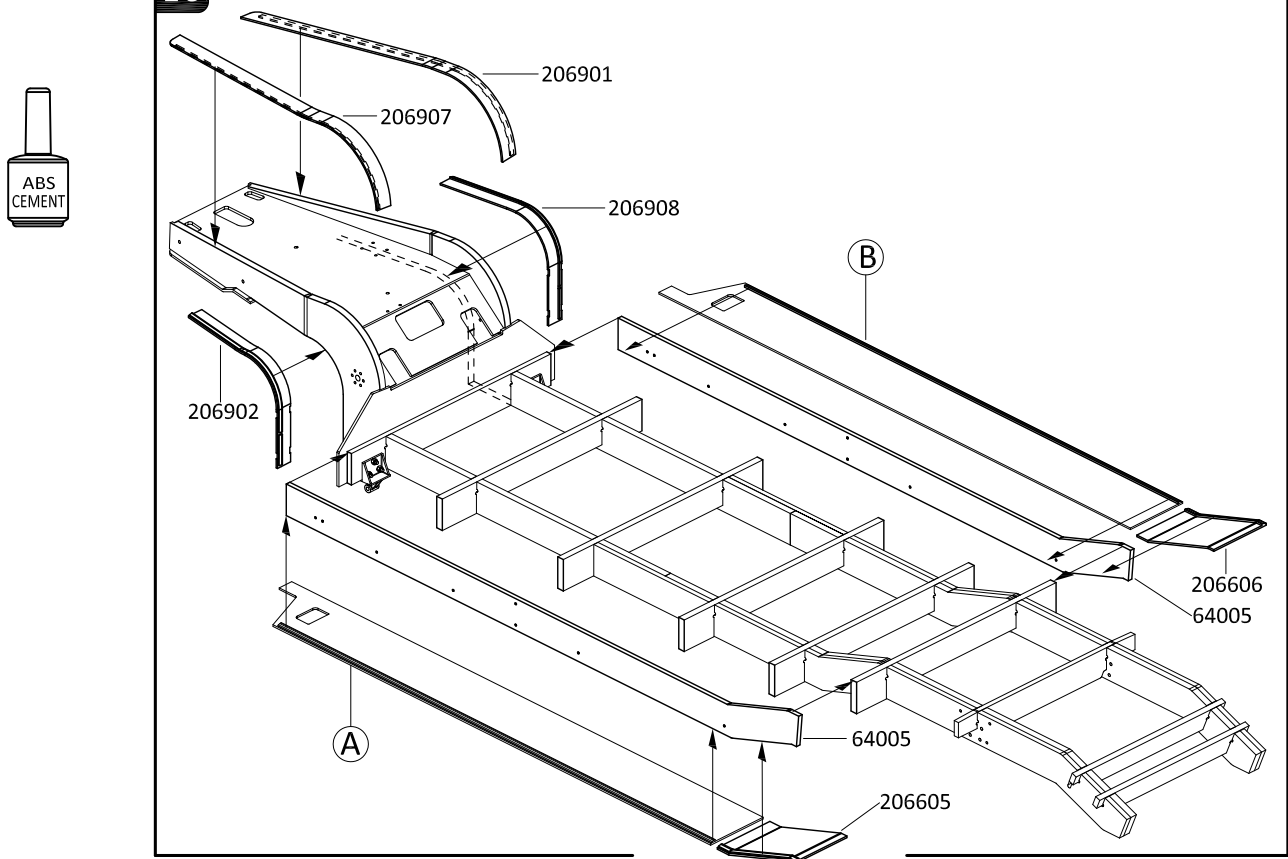
11



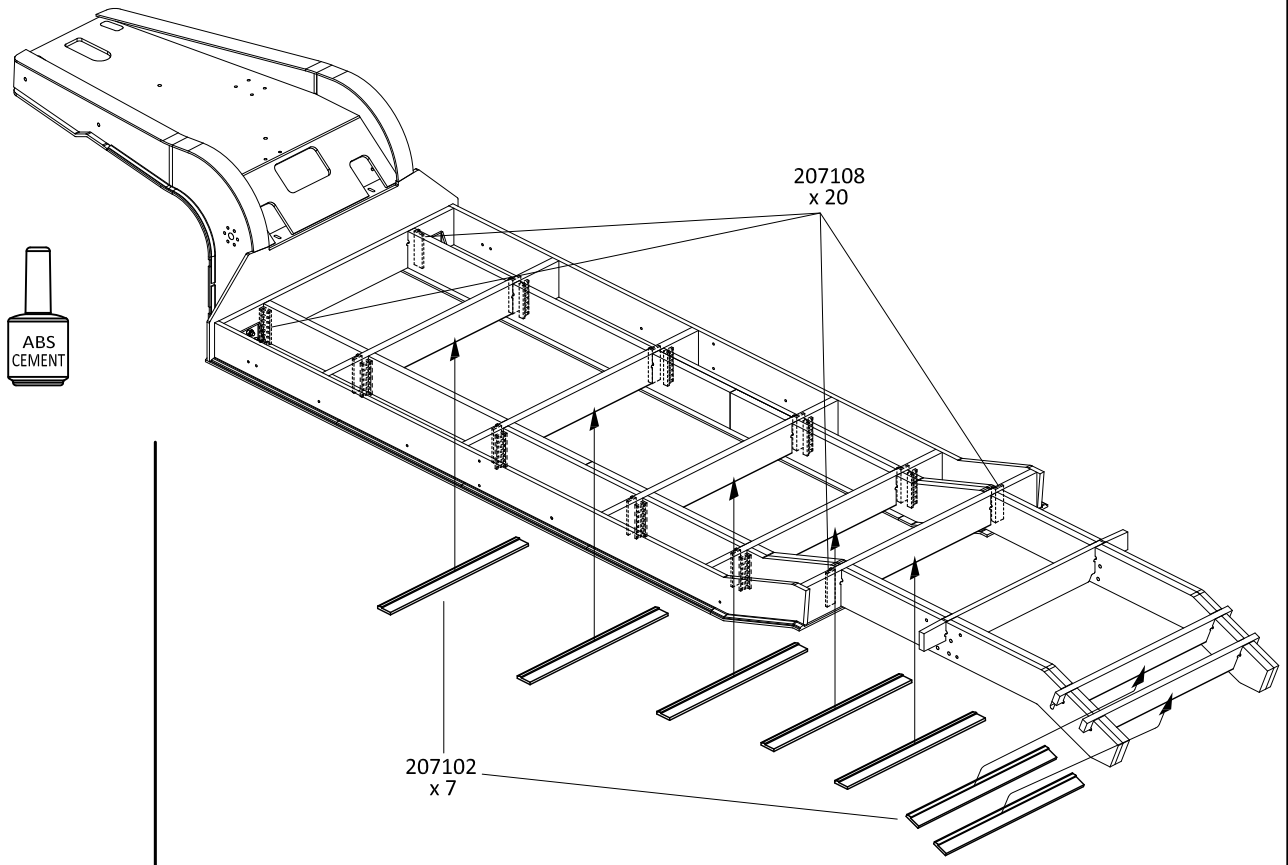
12



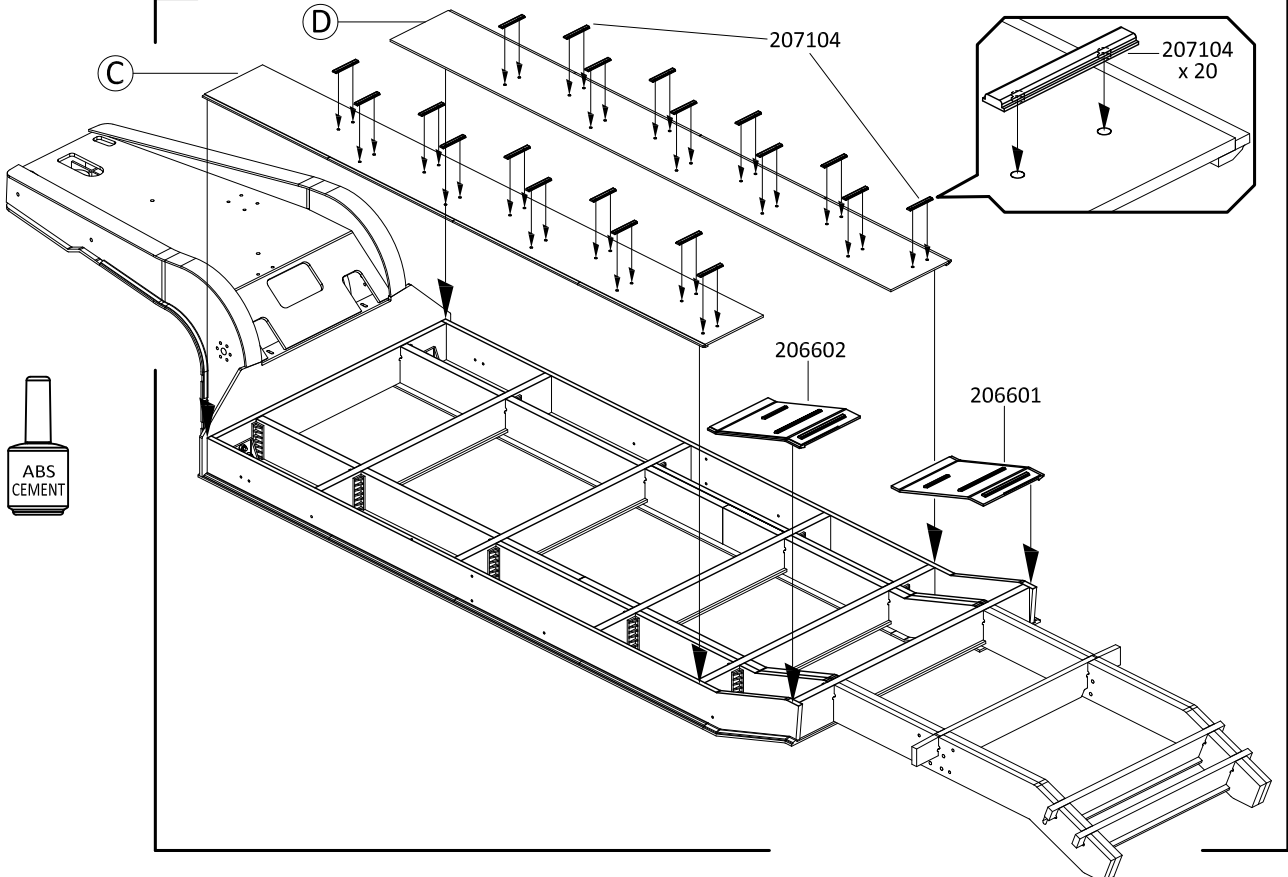
13



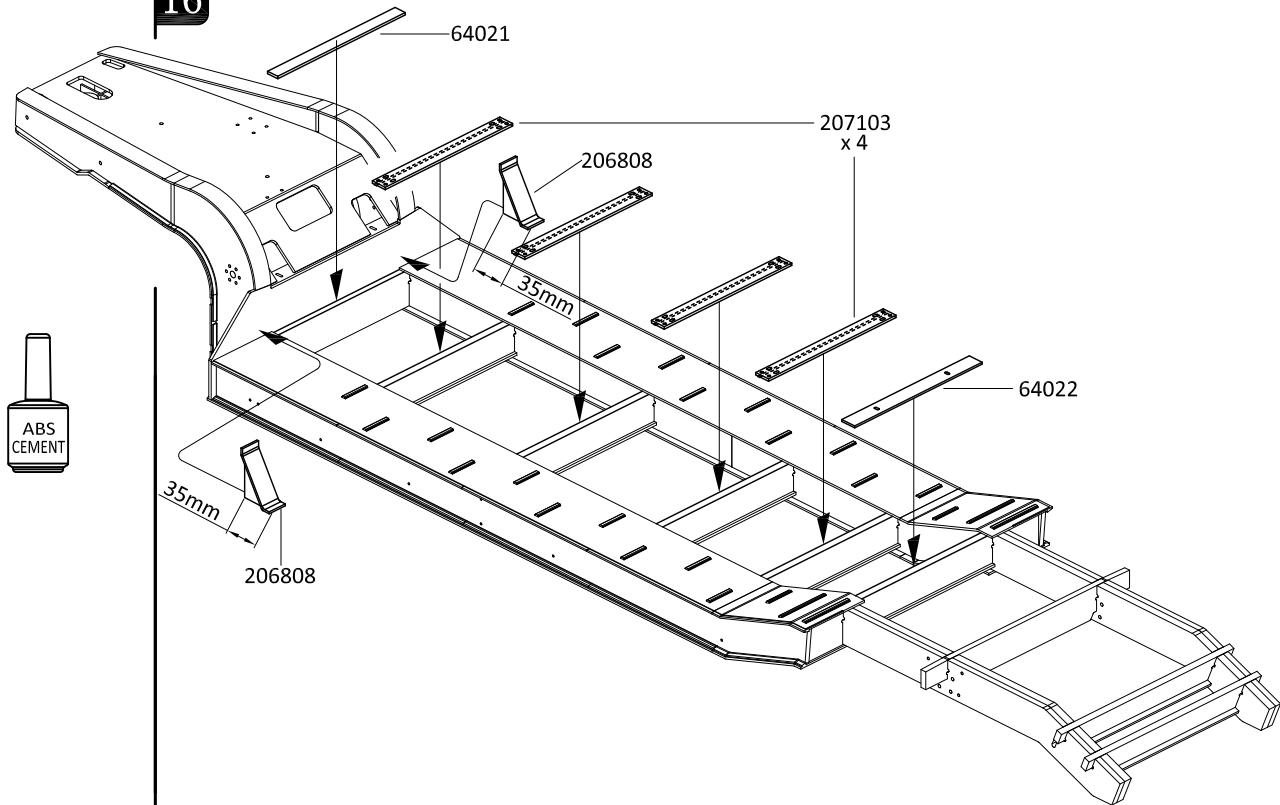
14



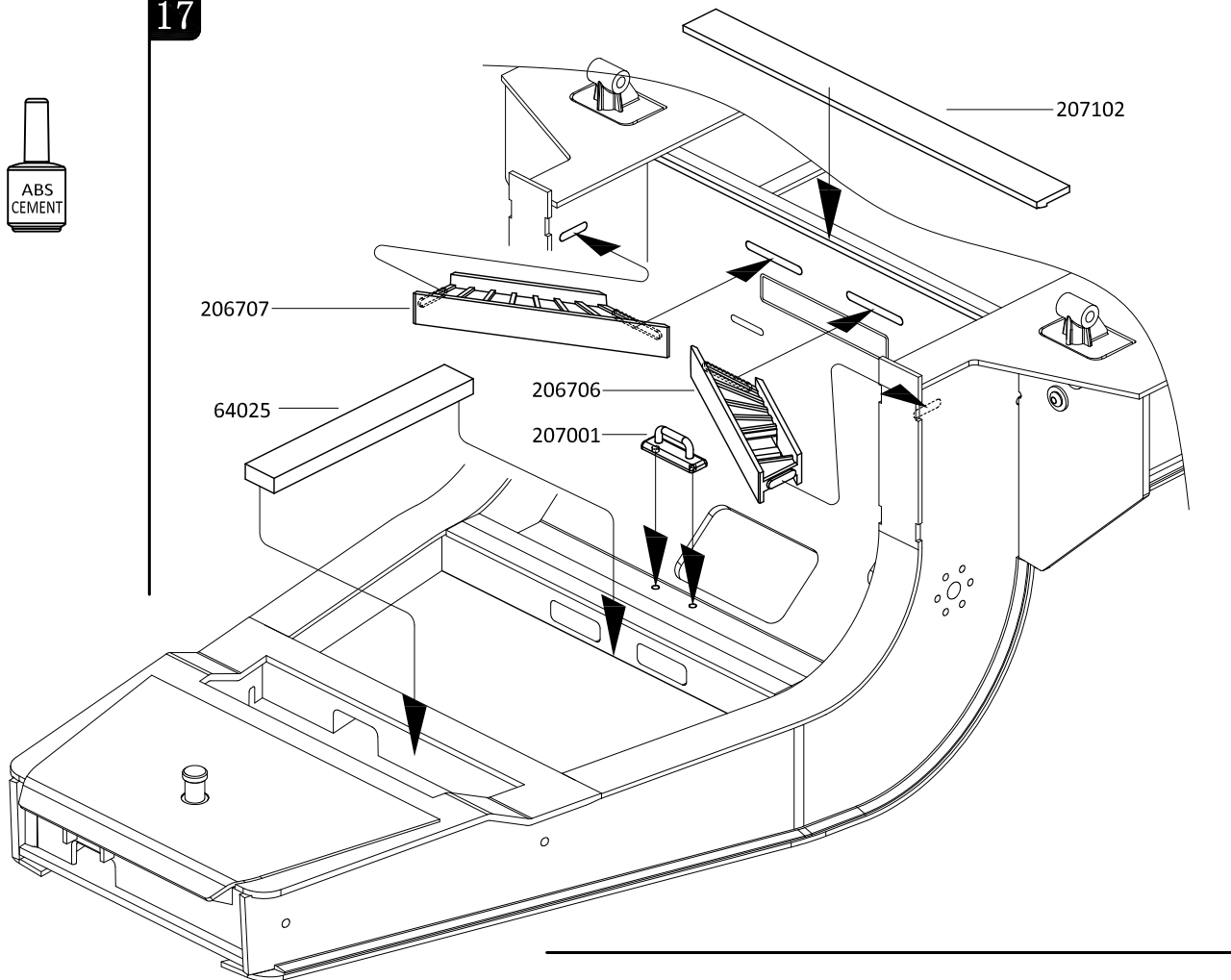
15



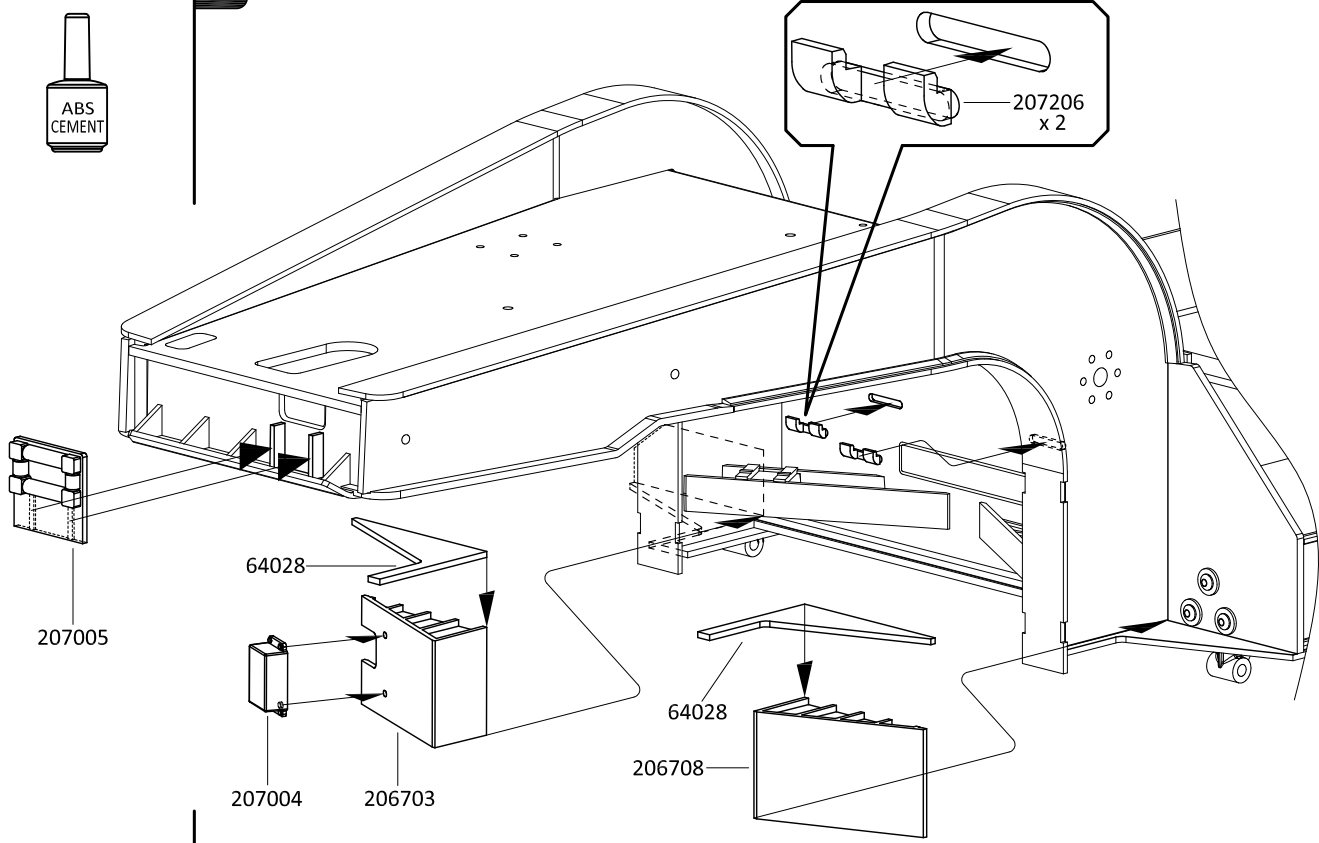
16



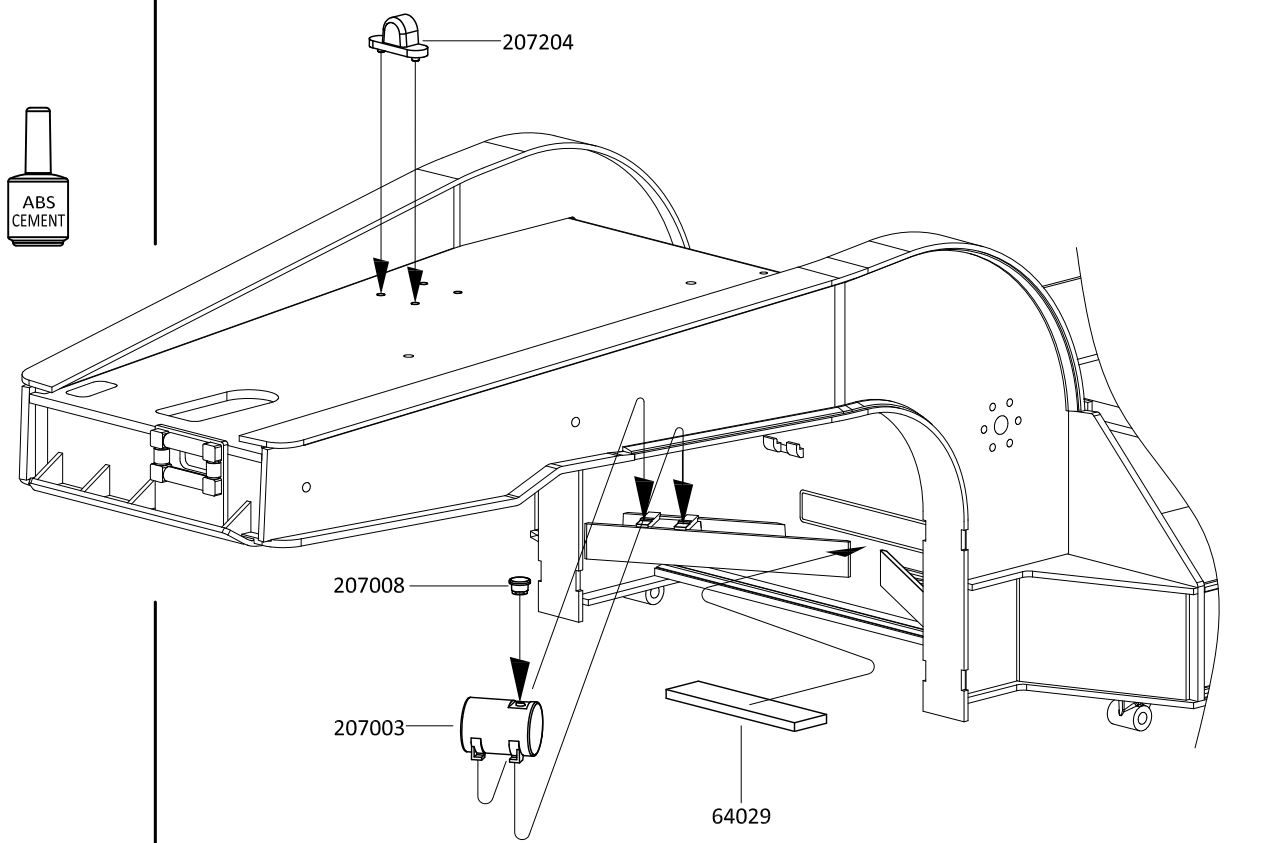
17



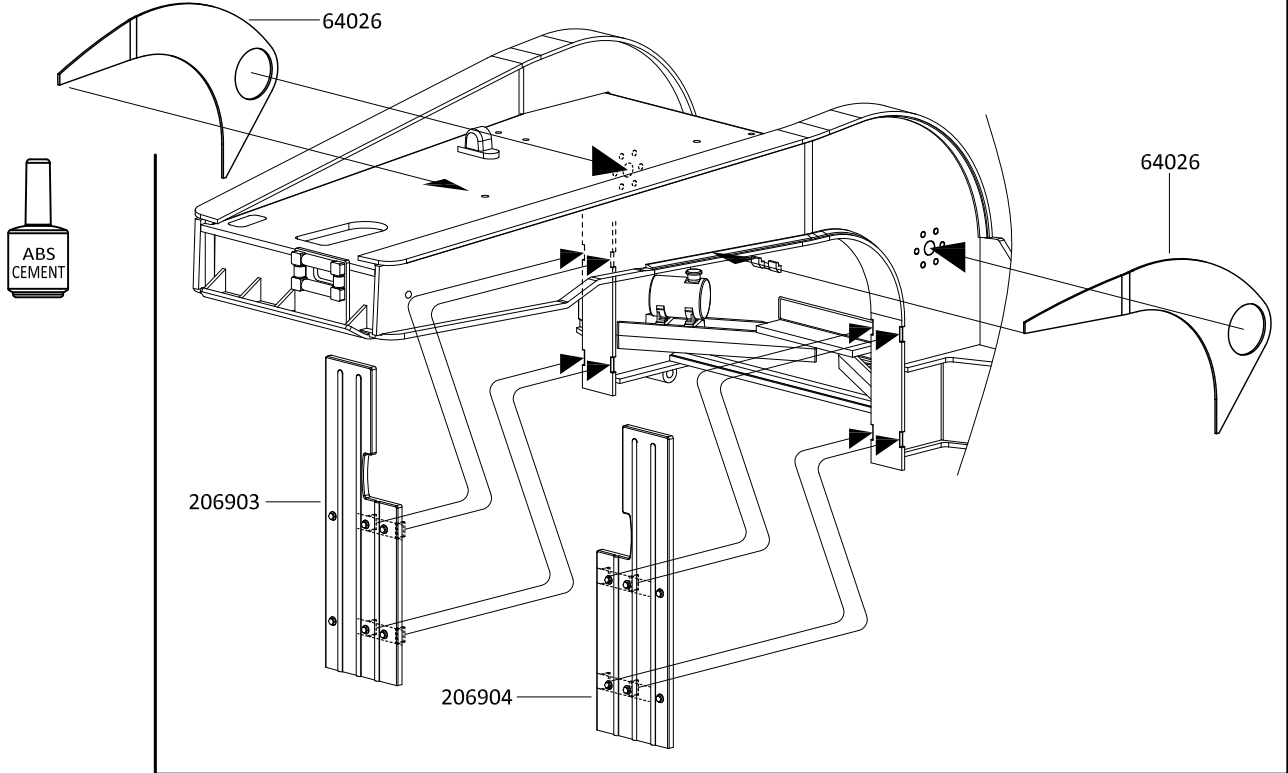
18



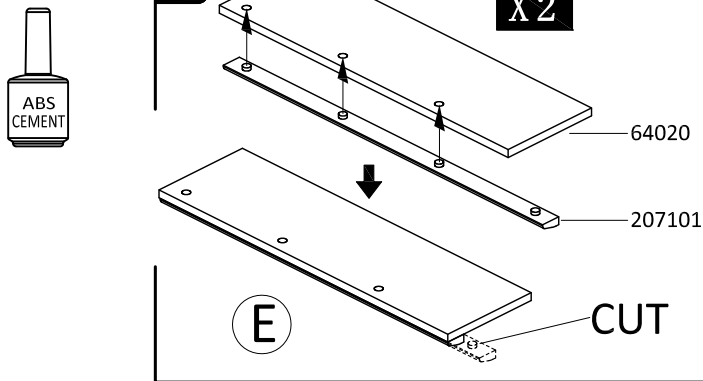
19



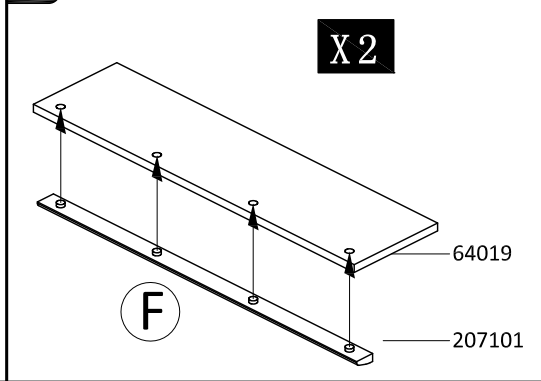
20



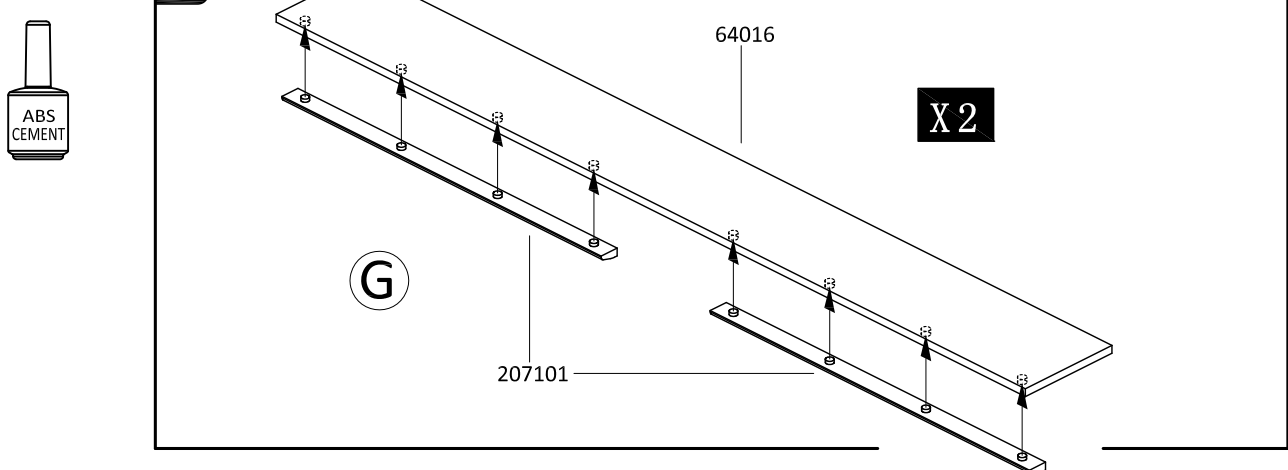
21



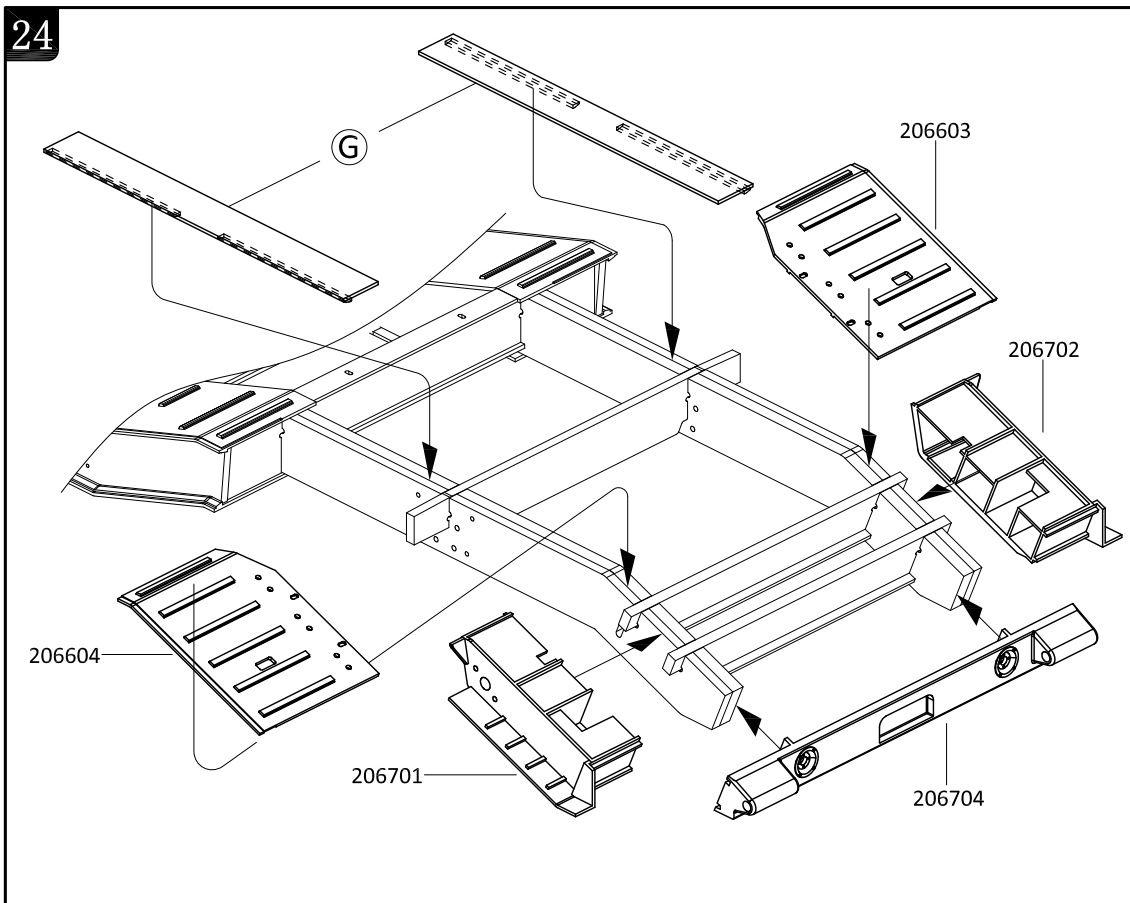
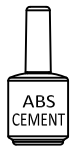
22



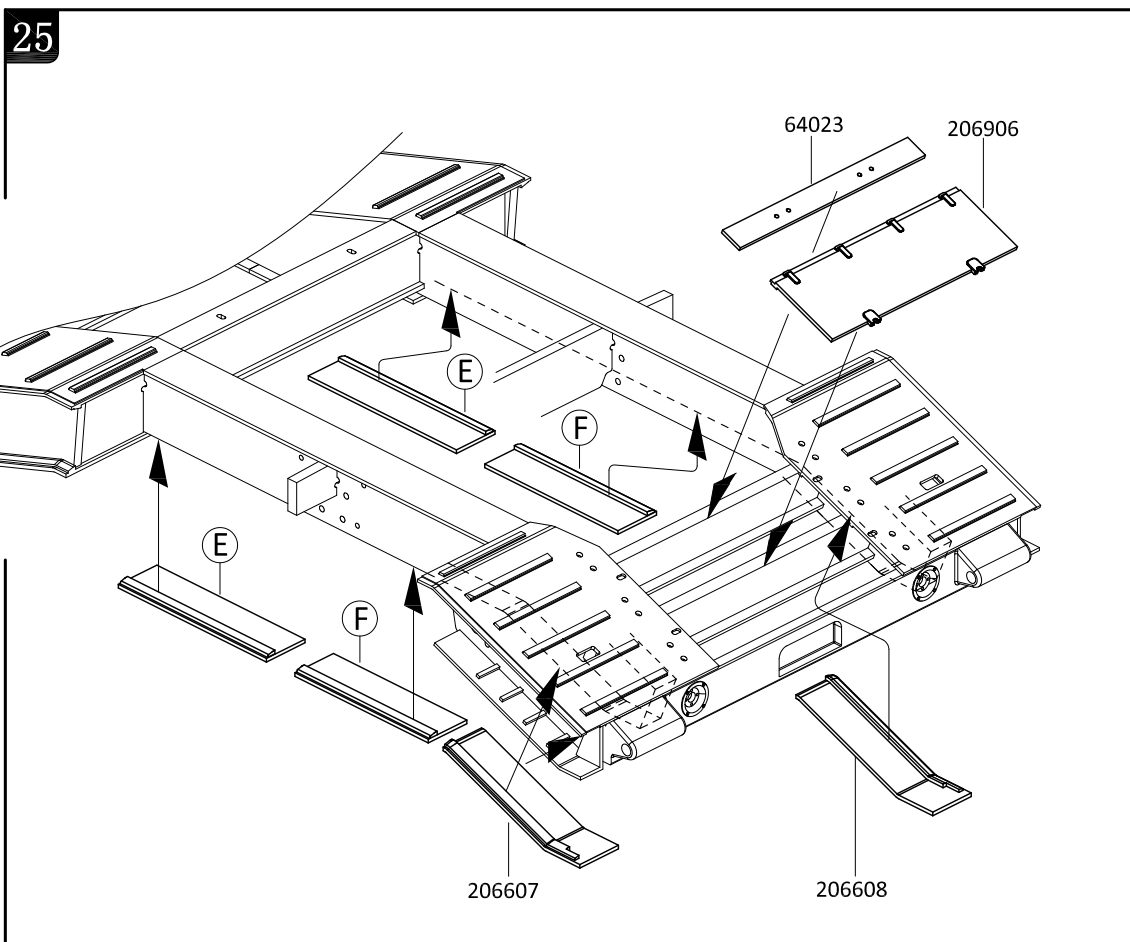
23



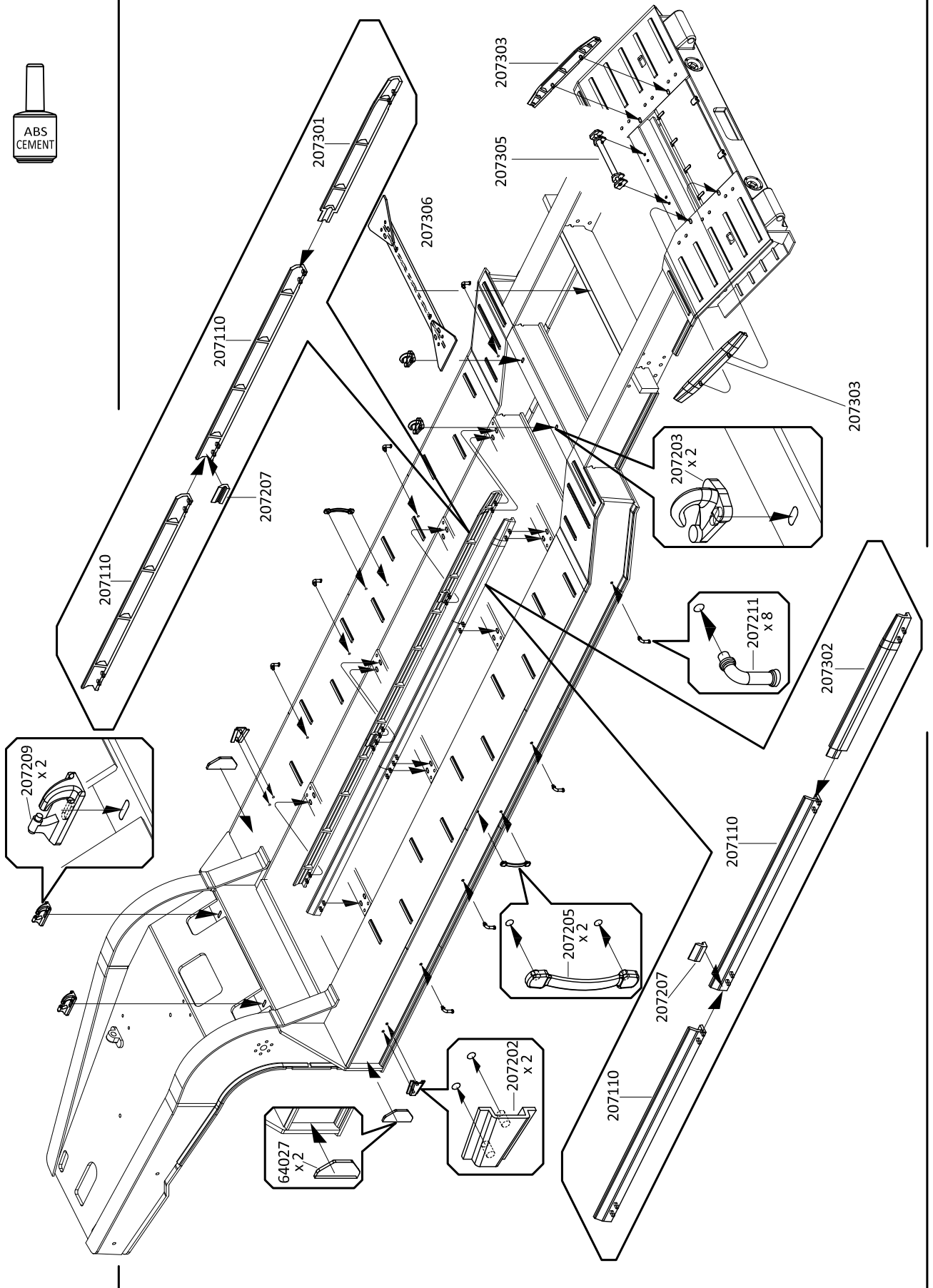
24



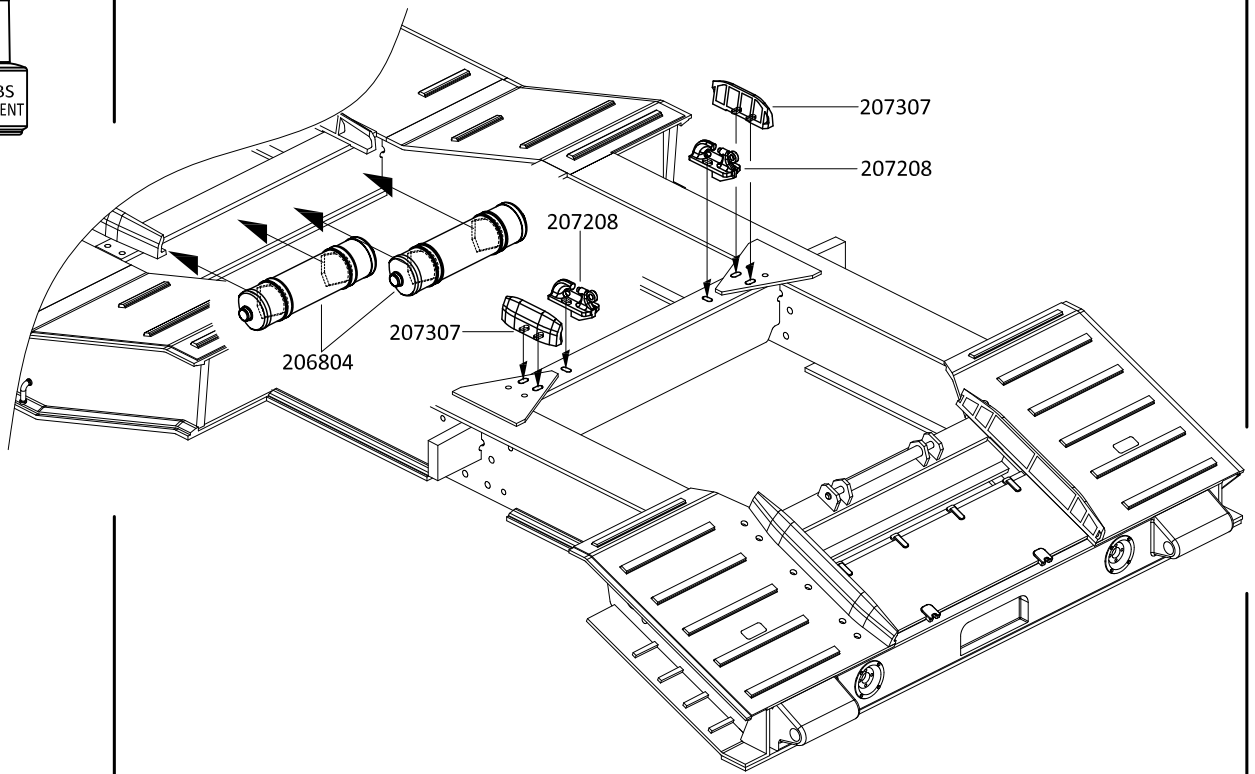
25



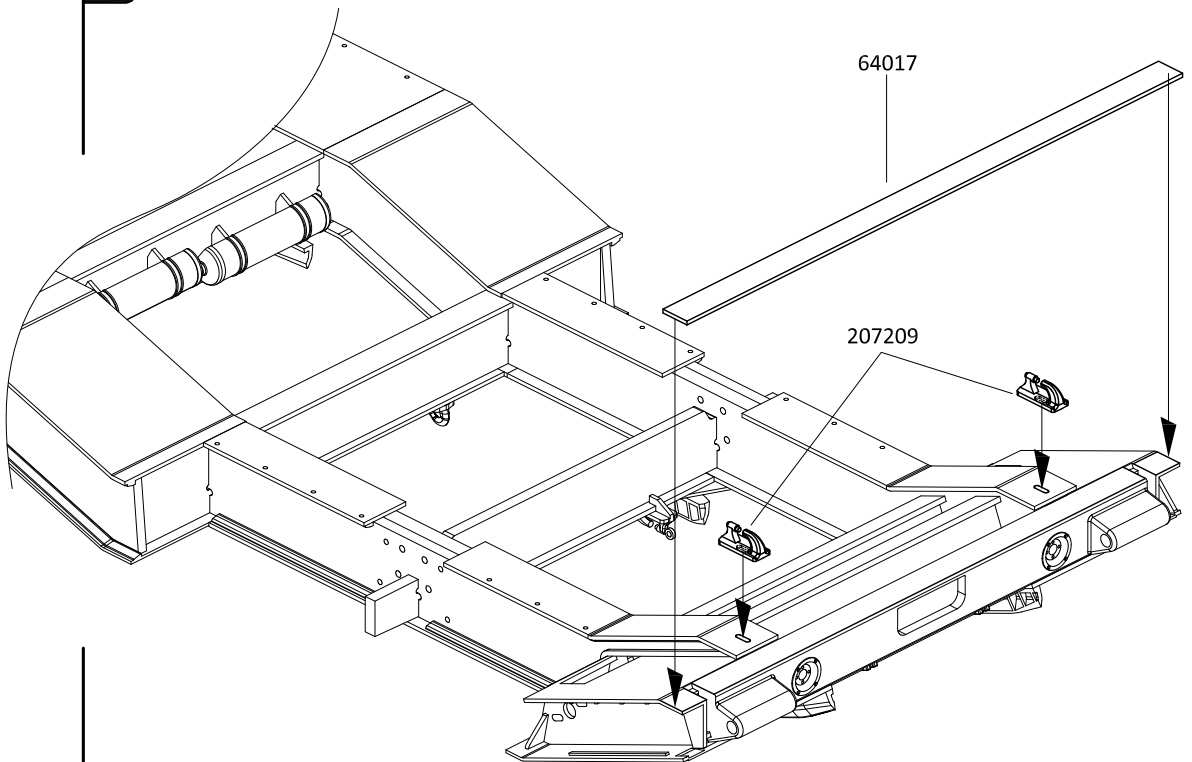
26



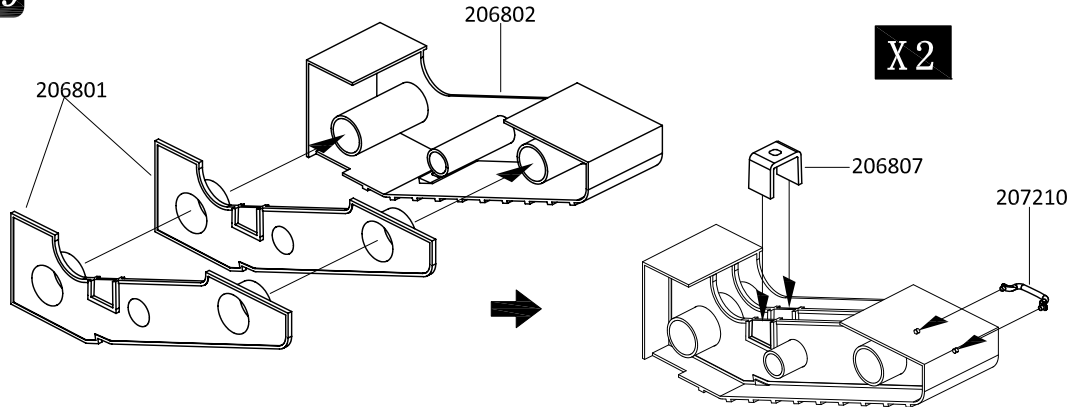
27



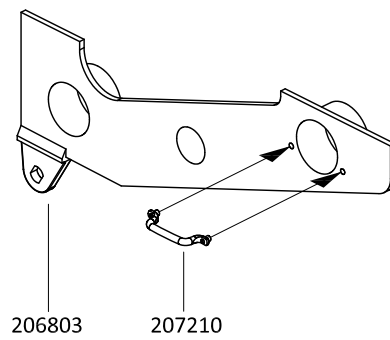
28



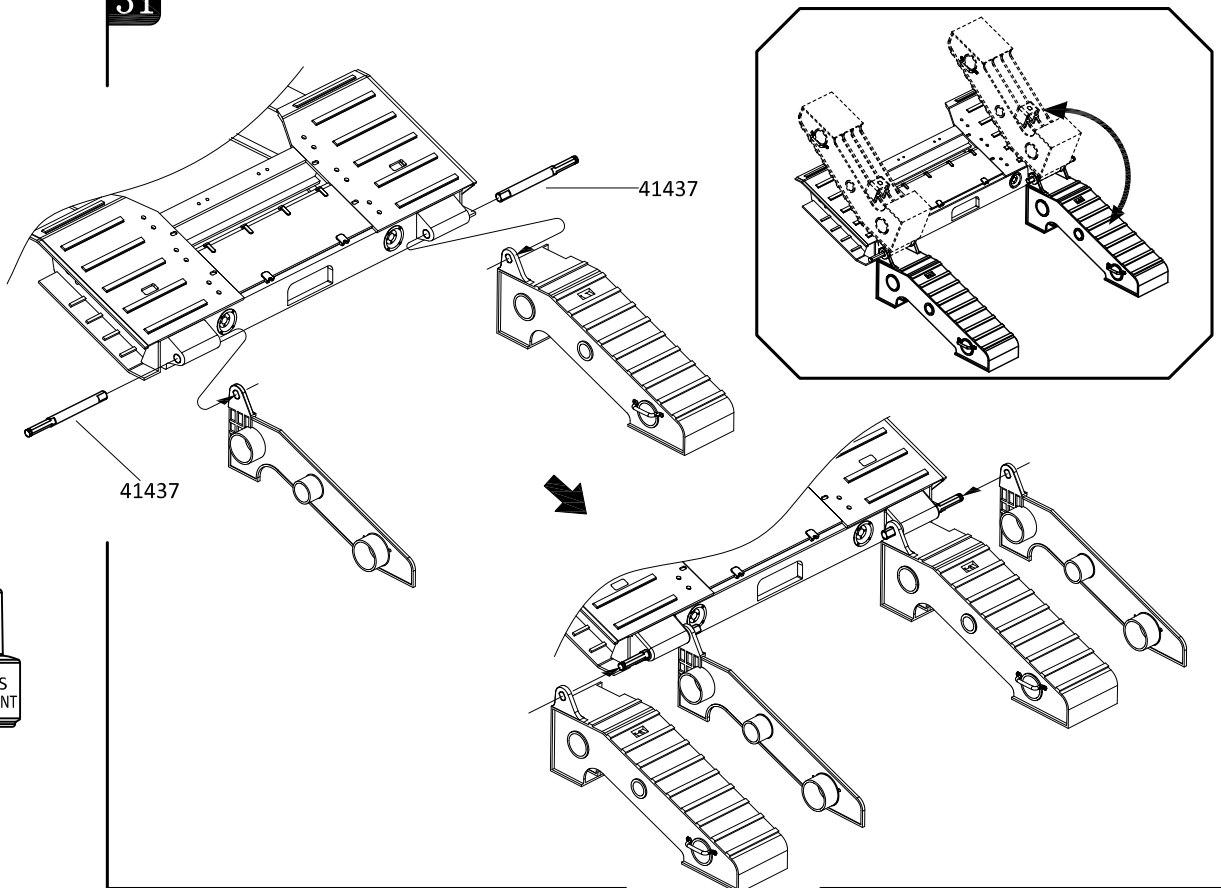
29



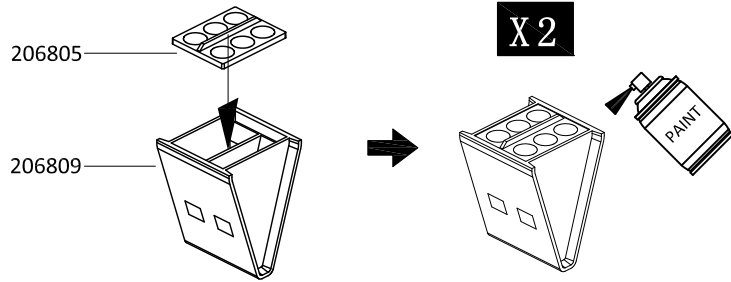
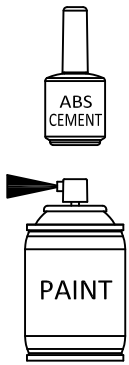
30



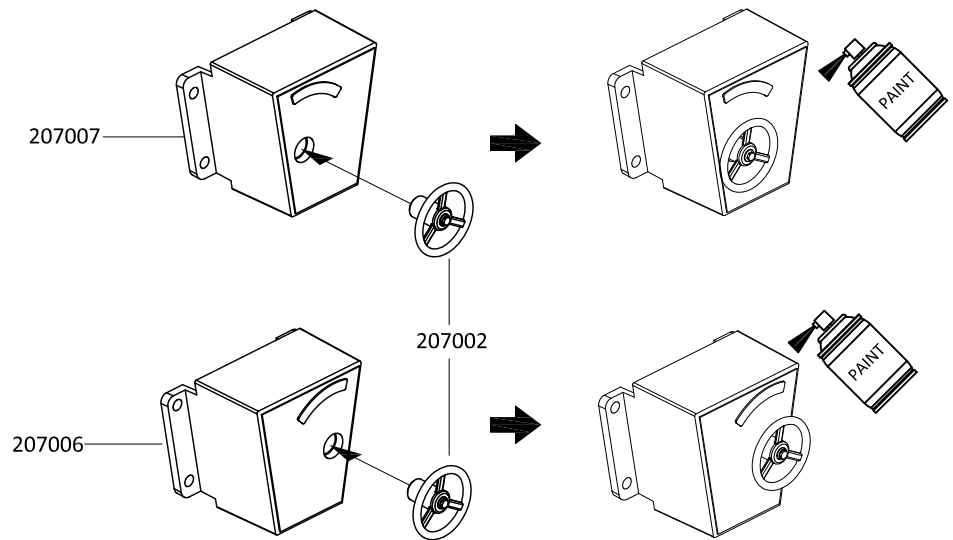
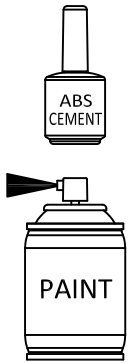
31



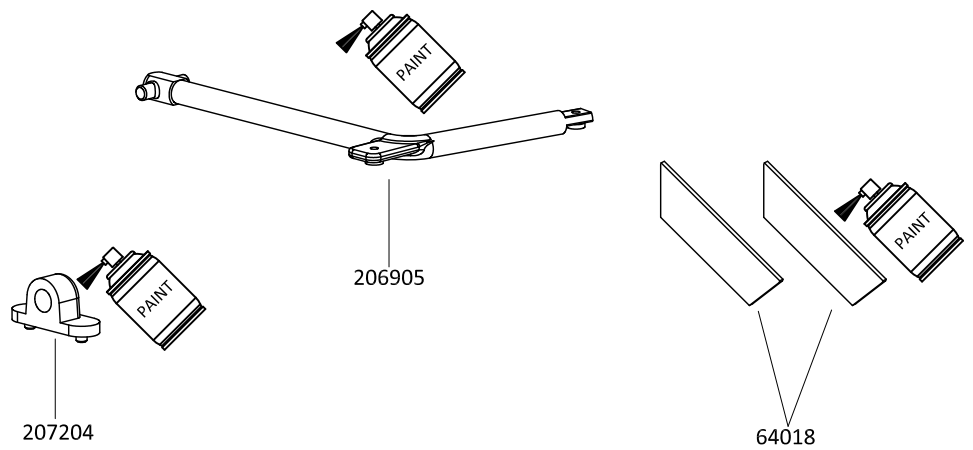
32



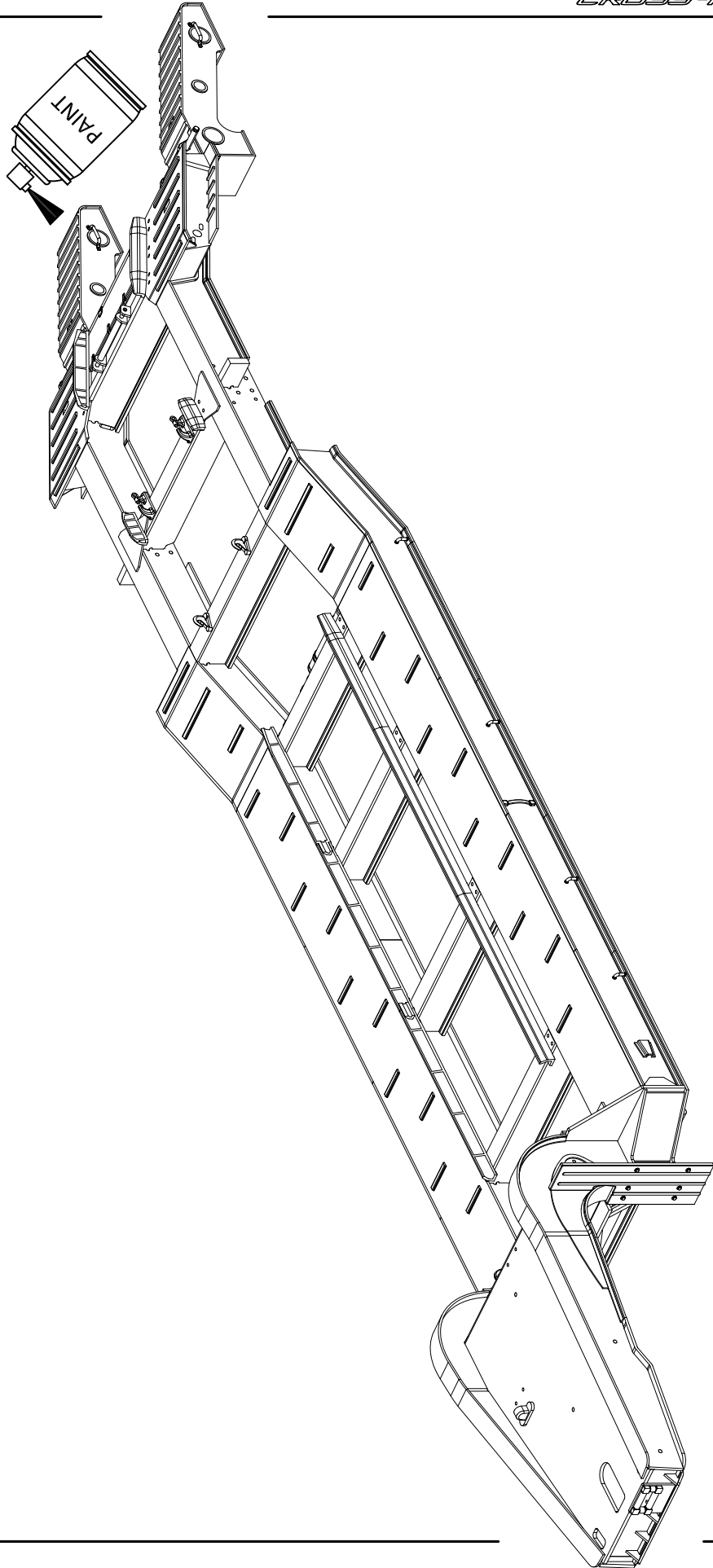
33





34

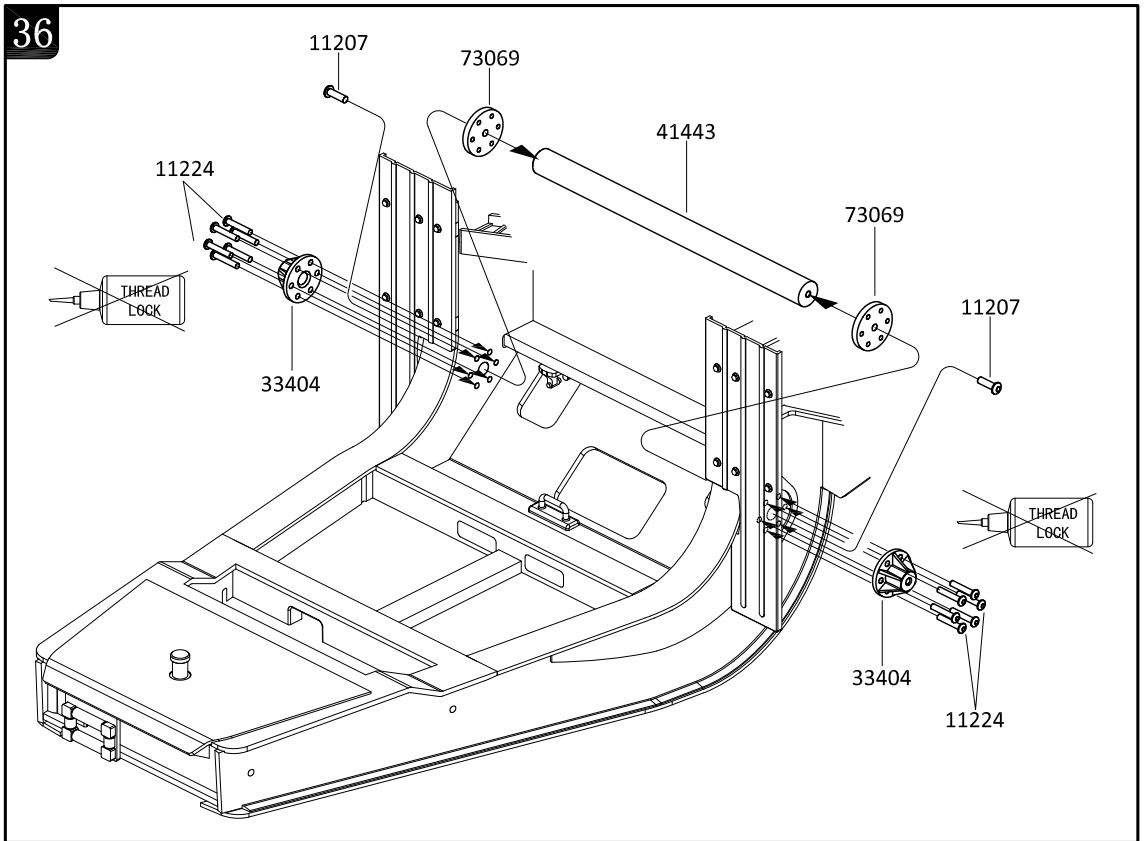


35





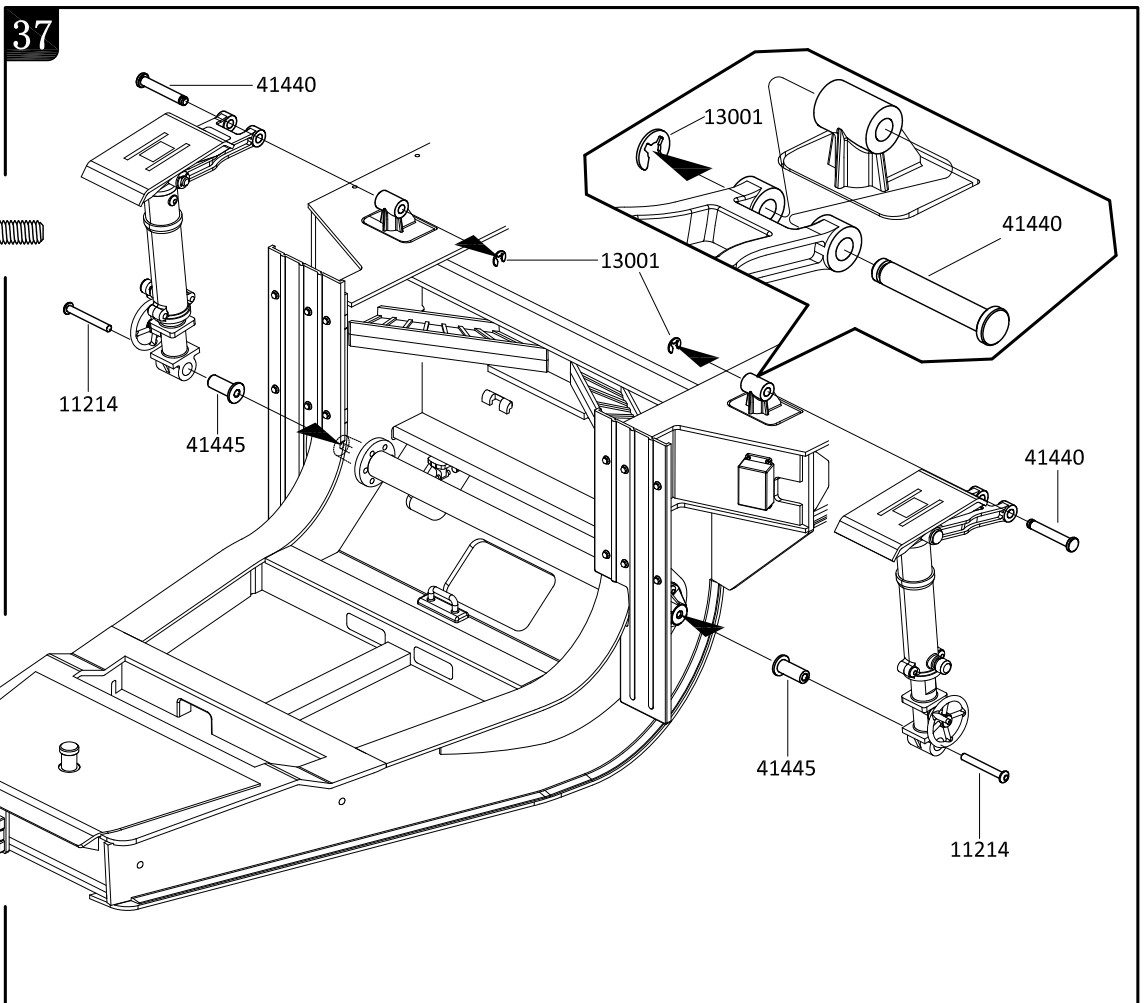
36

- 11207  M3x10 X2
- 11224  M2.5x14 X12




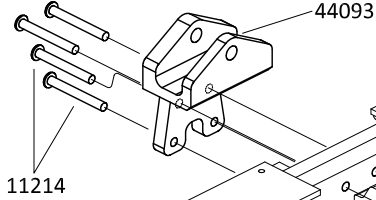
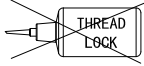
37

- 11214  M3x25 X2
- 13001  $\phi 3 \times \phi 7 \times 0.5$ X2



38

11214 
M3x25 X8



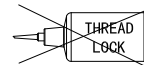
11214

44093


71180

44093

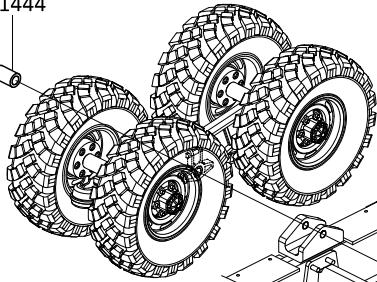
11214



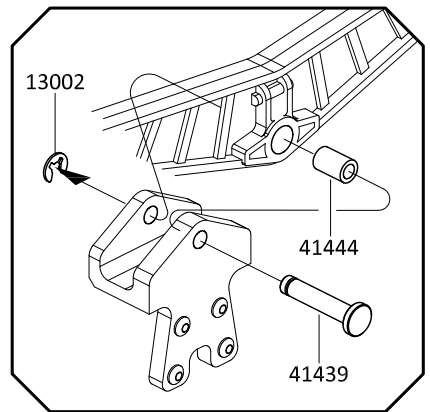
39

13002 
 $\varnothing 3.8 \times \varnothing 9.2 \times 0.6 \times 2$

41439 41444



13002



13002


41444

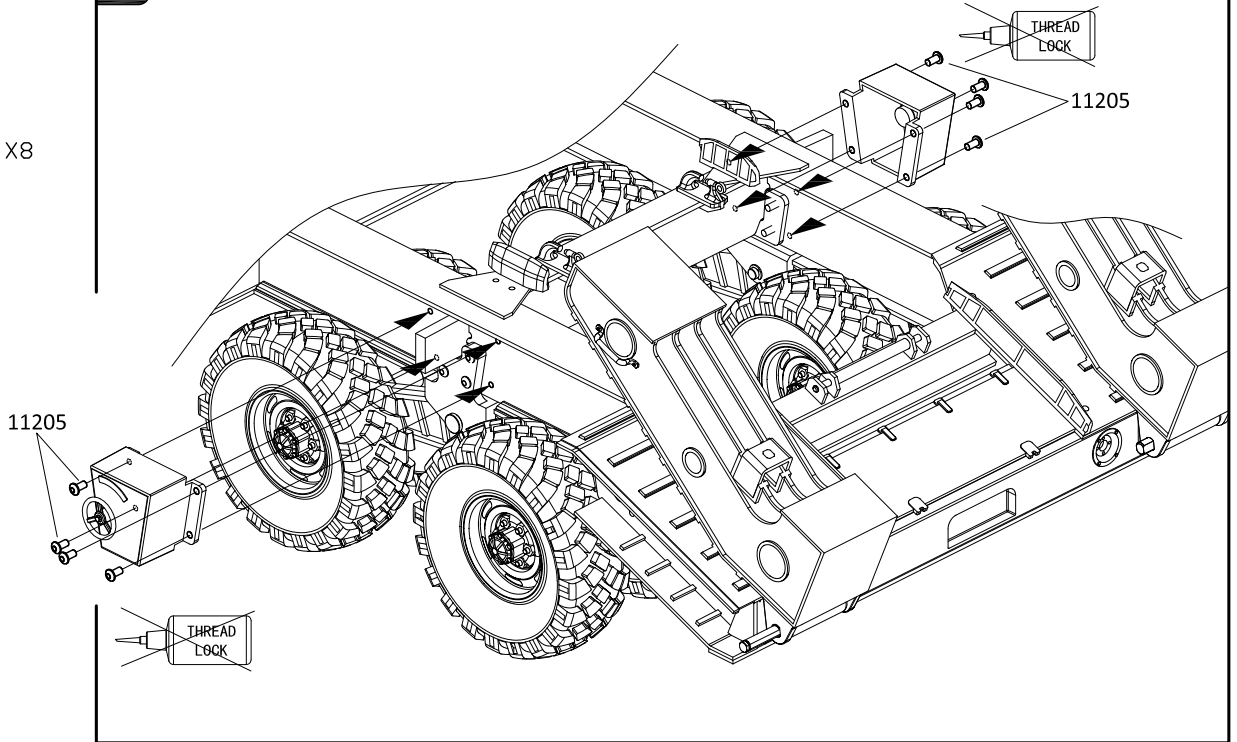
41439

41444

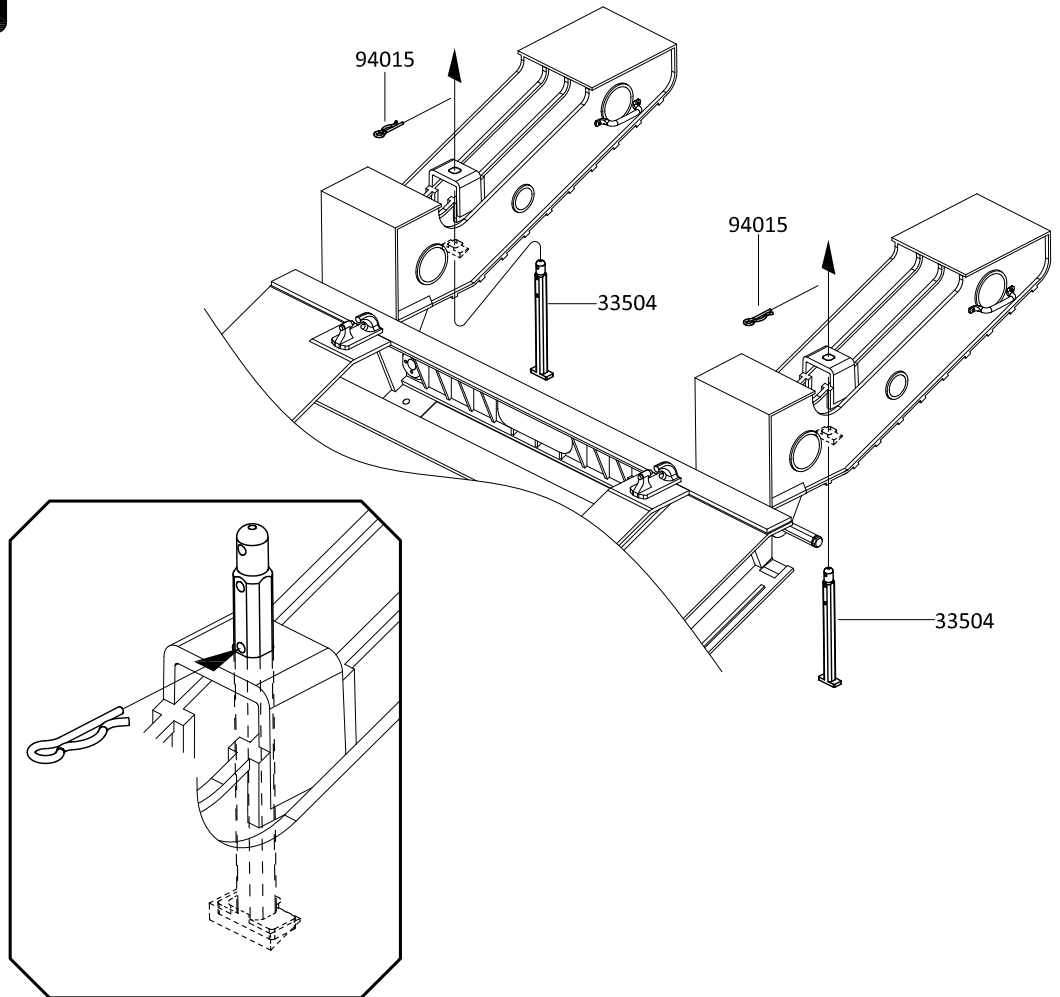
41439

40

11205 
M3x6 X8




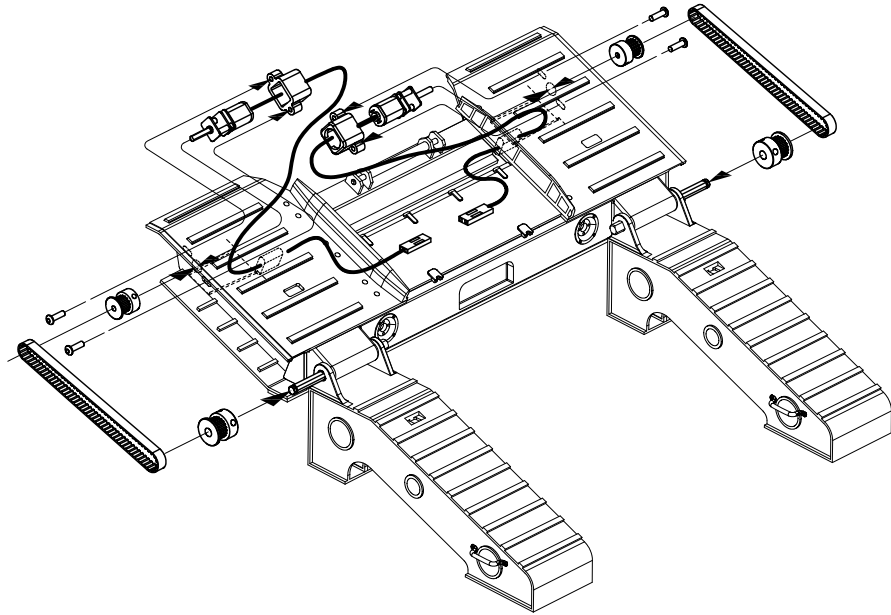
41



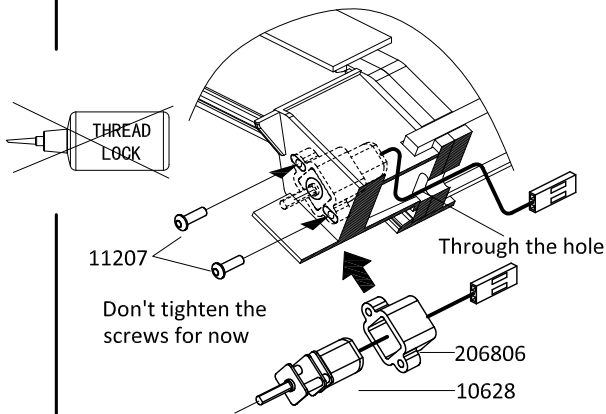
42

11207 
M3x10 X4

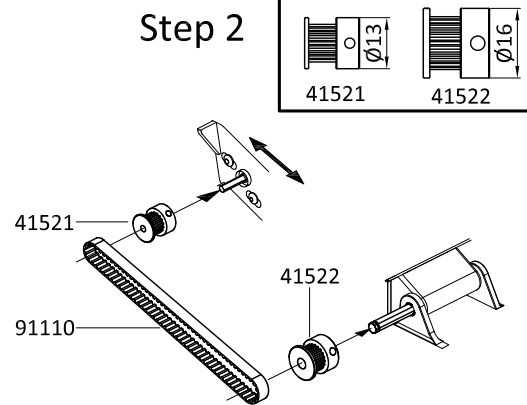
11410 
M3x6 X4



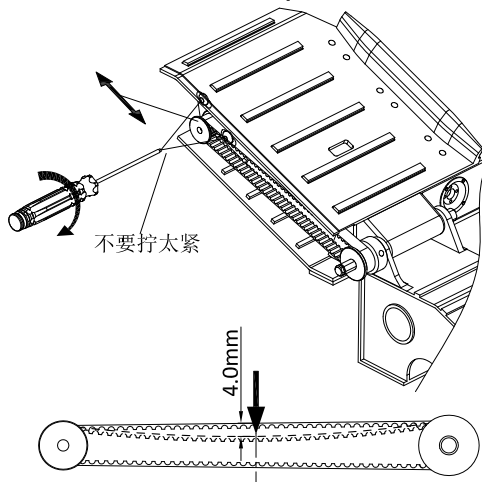
Step 1



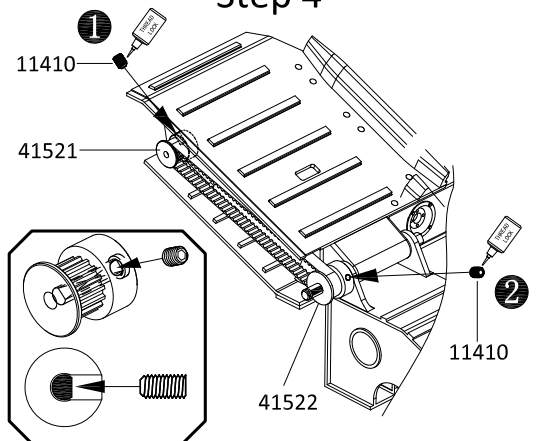
Step 2



Step 3




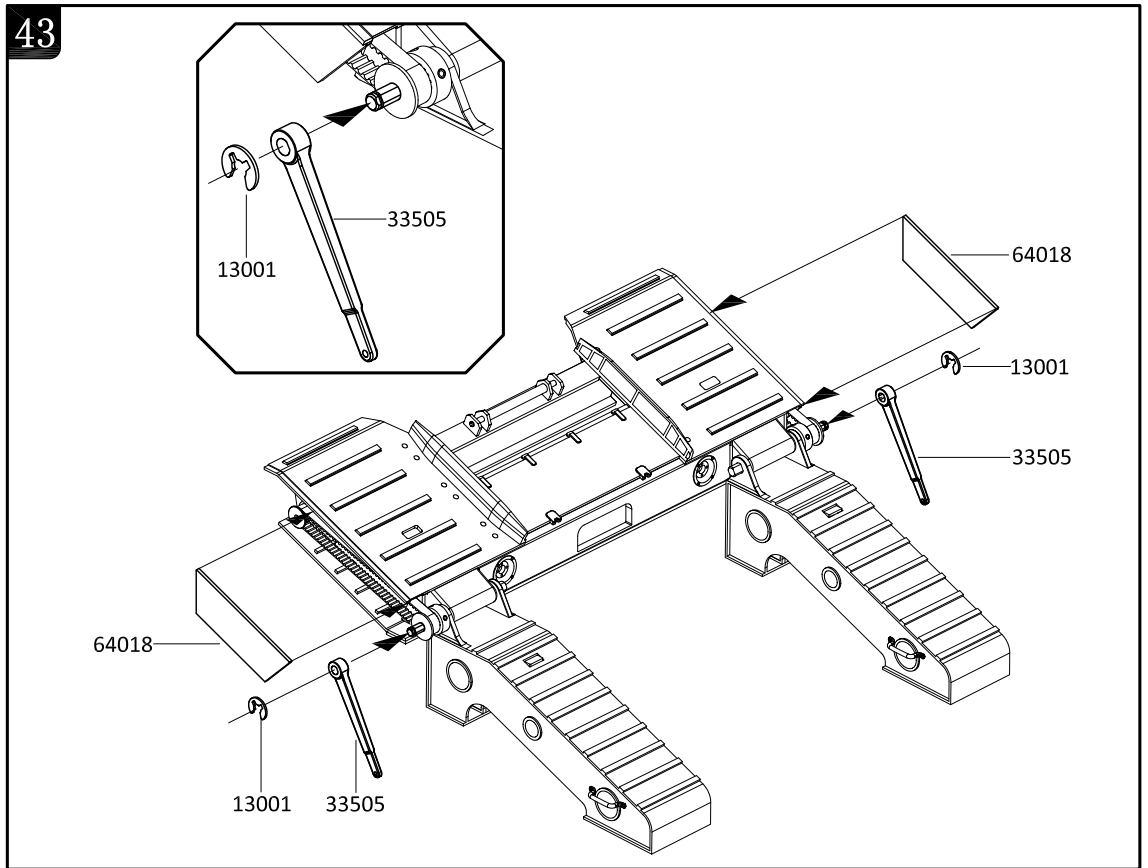
Step 4



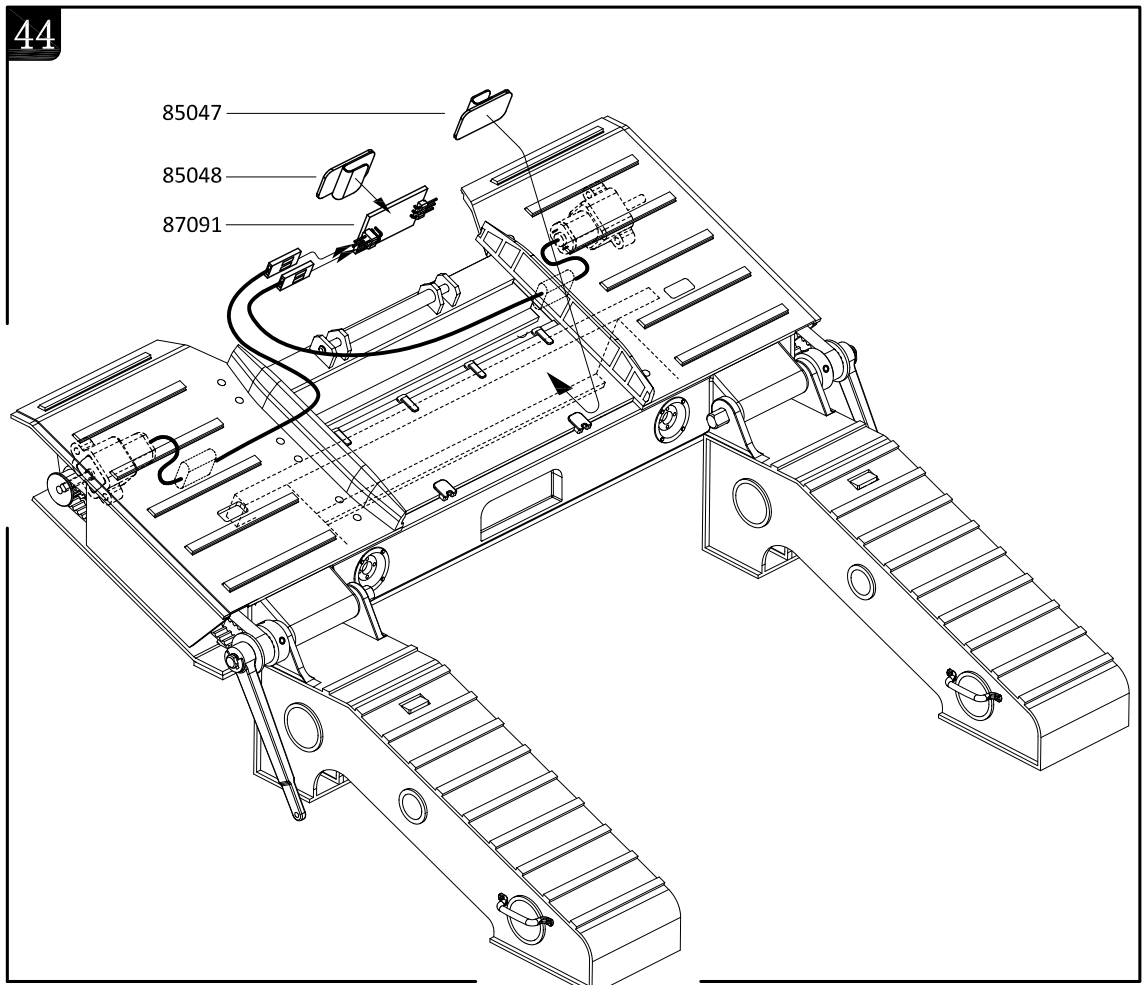
1. 94040螺丝孔对齐电机轴的扁平位，锁紧前螺钉；
2. 通电，当94041的螺丝孔对齐扁平位，锁紧后螺钉；
3. 全部锁紧后，电机转动要顺畅，如果出现卡滞或转不动现象，请按 Step3。

43

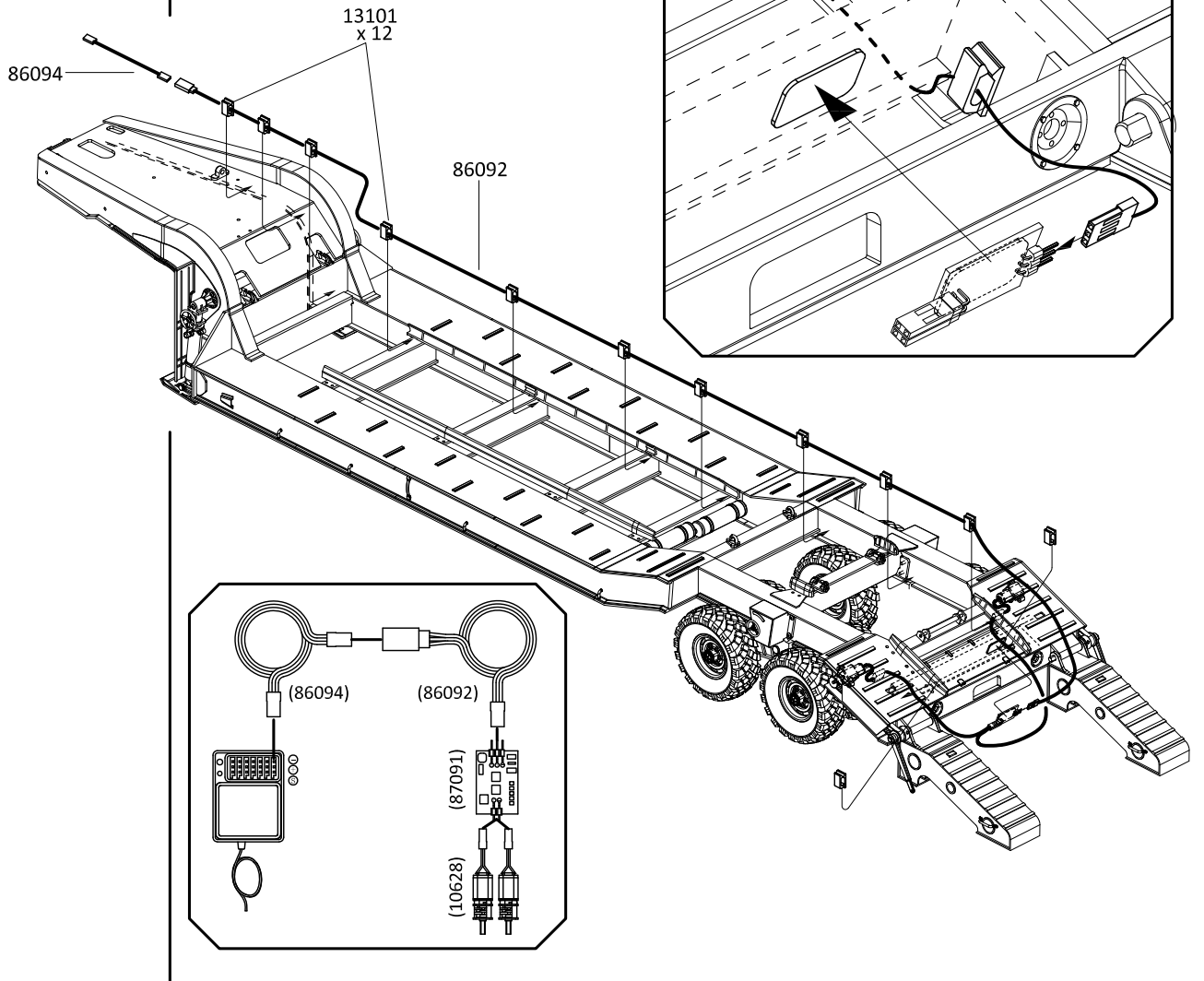
13001 
ø3xø7x0.5 X2



44

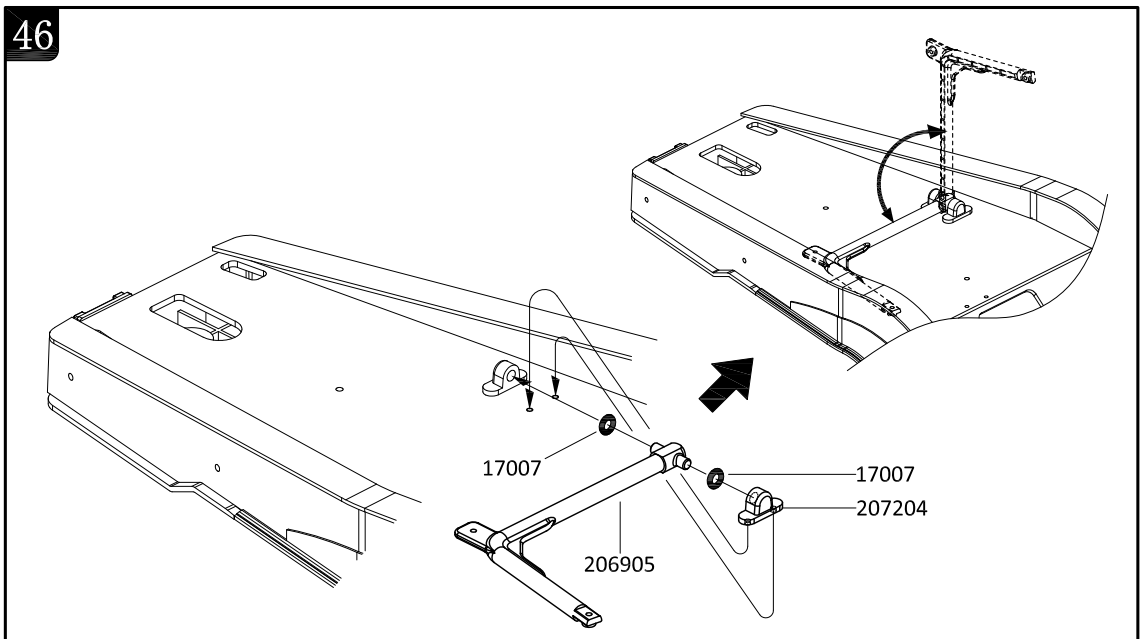


45





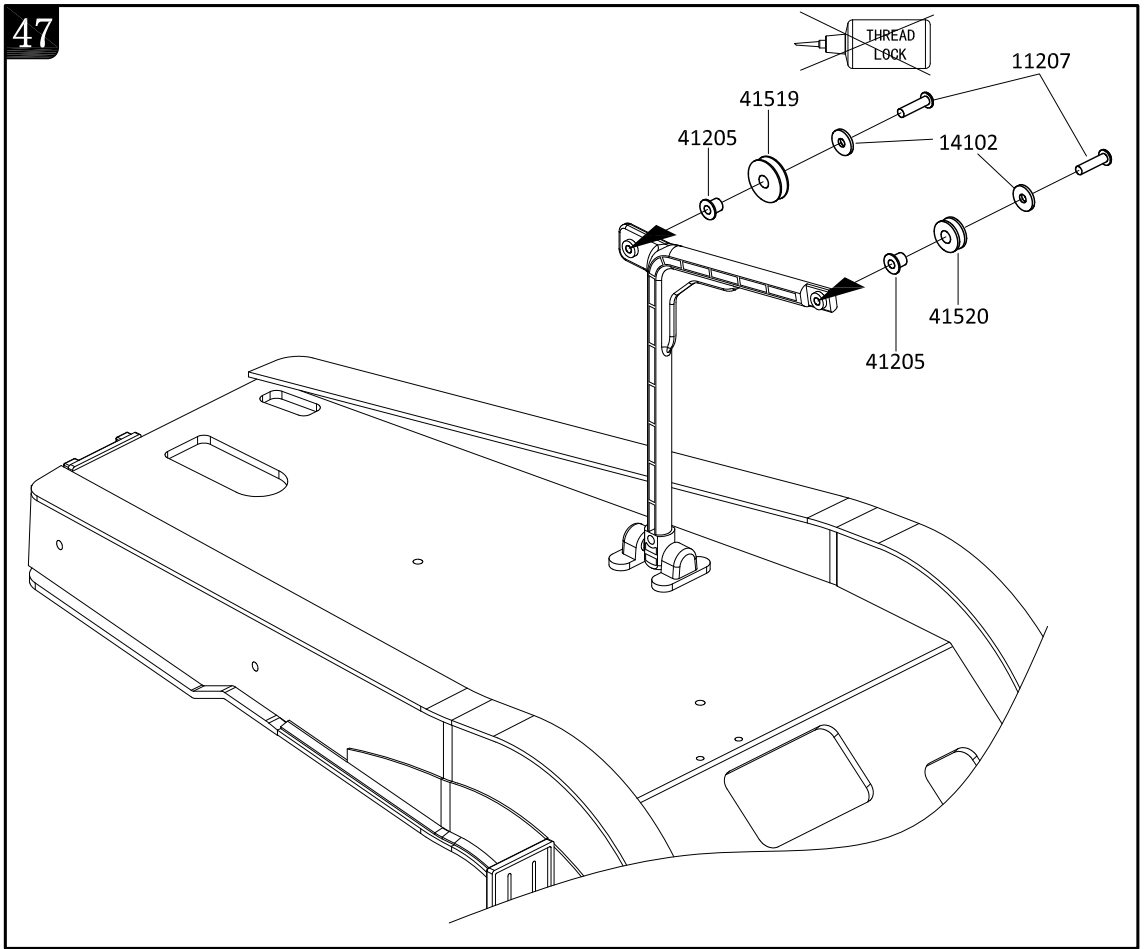
46

17007 
Ø6xØ2x2 X2


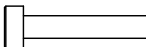



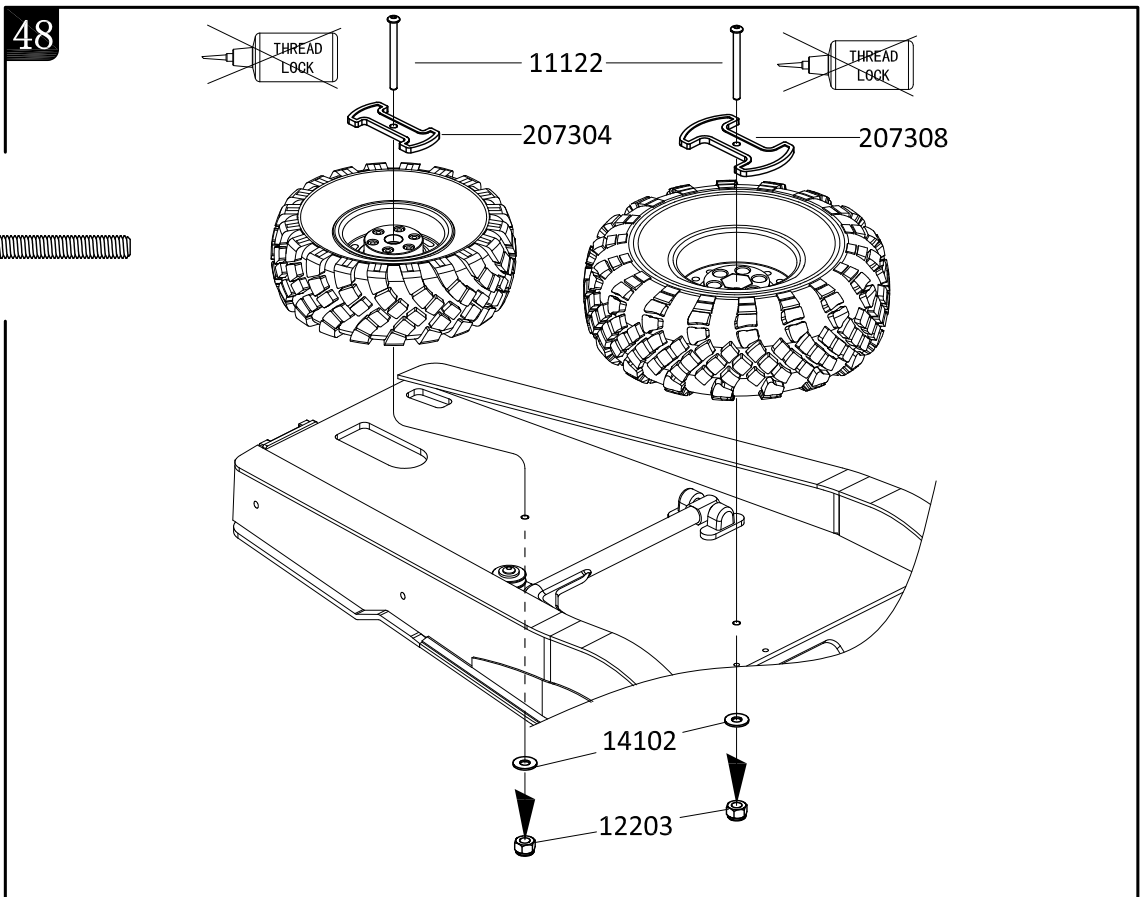
47

- 11207  M3x10 X2
- 14102  Ø3xØ7x0.5 X2

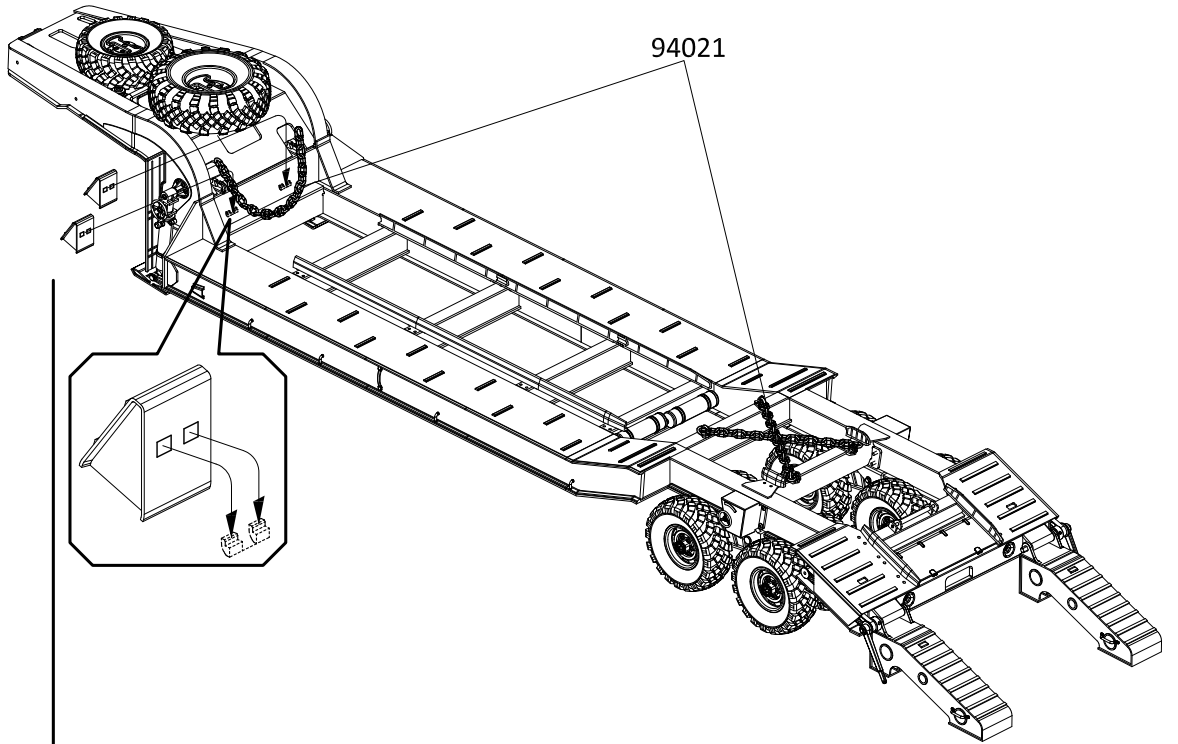


48

- 12203  M3 X2
- 11122  M3x35 X2
- 14102  Ø3xØ7x0.5 X2



49



50

