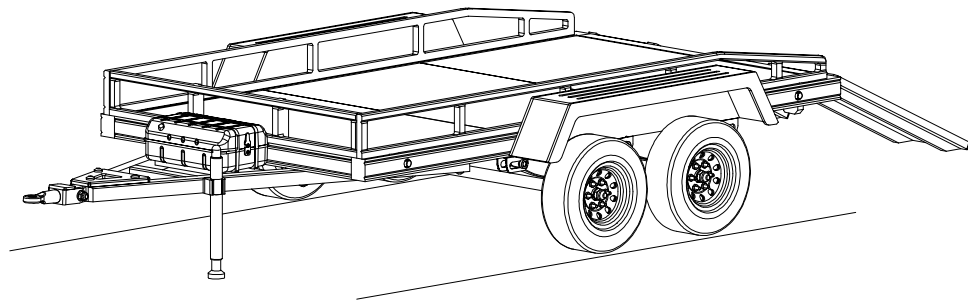



1/10 SCALE HEAVY DUTY
FLATBED TRAILER

T006



CROSSRC

USER'S MANUAL

CAUTIONS		<p>To prevent serious personal injury and/or property damage, operate all remotely controlled models in a responsible manner as outlined herein.</p>
-----------------	---	--

◆ **Safety Precautions**

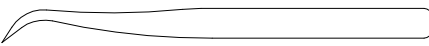
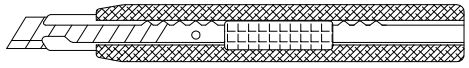
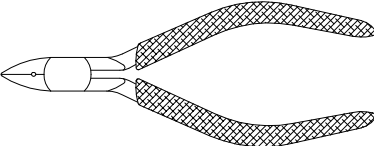
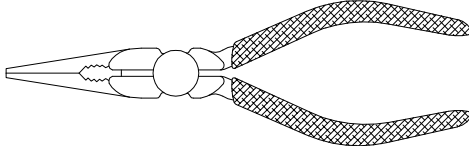
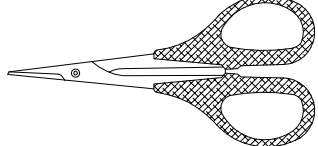
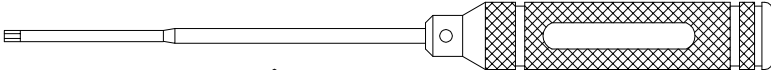
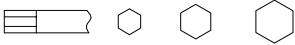
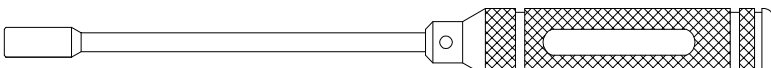



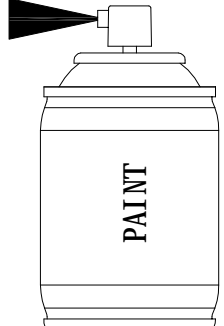
- 1.1 Choose a right place to operate your RC model.
- 1.2 Do not operate your RC model on the street or highway. It can cause a serious damage or a serious accident.
- 1.3 Never operate your RC model near people or animals.
- 1.4 Do not operate RC model in public places like hospital and residential areas.
- 1.5 Never operate RC model indoors. There is a higher possibility of fire or damage.
- 1.6 Keep the parts out of reach of children, small parts can cause choking and vinyl bags can suffocate.
- 1.7 Do not use with children younger than 14 years.

◆ **Inspect your RC model before operation**

- 2.1 Make sure that all screws and nuts are properly tightened. It is also a good idea to use romvable thread lock wherever metal screws go into metal, especially for engine mounts and the engine pilot shaft.
- 2.2 Always use fresh batteries for your transmitter and for your receiver to avoid losing control of the model.
- 2.3 Always test the brakes and throttle before starting your engine to avoid losing control of the model.
- 2.4 Always turn on the transmitter first, and then turn on the receiver.

◆ **After operation of your RC model**

- 3.1 Turn off receiver first, then turn off transmitter, this will prevent runaways.
- 3.2 Be careful when handling batteries, they will be hot after running.
- 3.3 Replace any batteries that have been dented or have frayed wires, short circuits can cause fire.

TOOLS (Not included)				
				
				
	 <p style="text-align: center;">1.5 2.0 2.5</p>			
				
	 <p style="text-align: center;">4.0 5.5 7.0</p>			

44030 X4 41333 X4 71080 X4 71090 X2 71081 X2 44034 X4 71091 X1 30108 X1

71073 X4 71013 X4 72019 X2 14107 41308 X8 15006 $\phi 5 \times \phi 11 \times 4$ X4

311.6

41282 X2

BAG(A)

41301 X4 50001 X4 42301 X4 71008 X4 71009 X4

BAG(B)

14102 $\phi 3 \times \phi 7 \times 0.5$ X3 50021 $\phi 7.5$ X2 X4

12102 M2 X24 11206 M3x8 X20 11212 M3x20 X1 11104 M2x10 X24

12203 M3 X10 11207 M3x10 X12 11213 M3x22 X1 11116 M2.5x12 X4

12204 M4 X4 11211 M3x18 X4 11303 M3x8 X4 11801 ST1.4x6 X4

BAG(C)

26606 X1

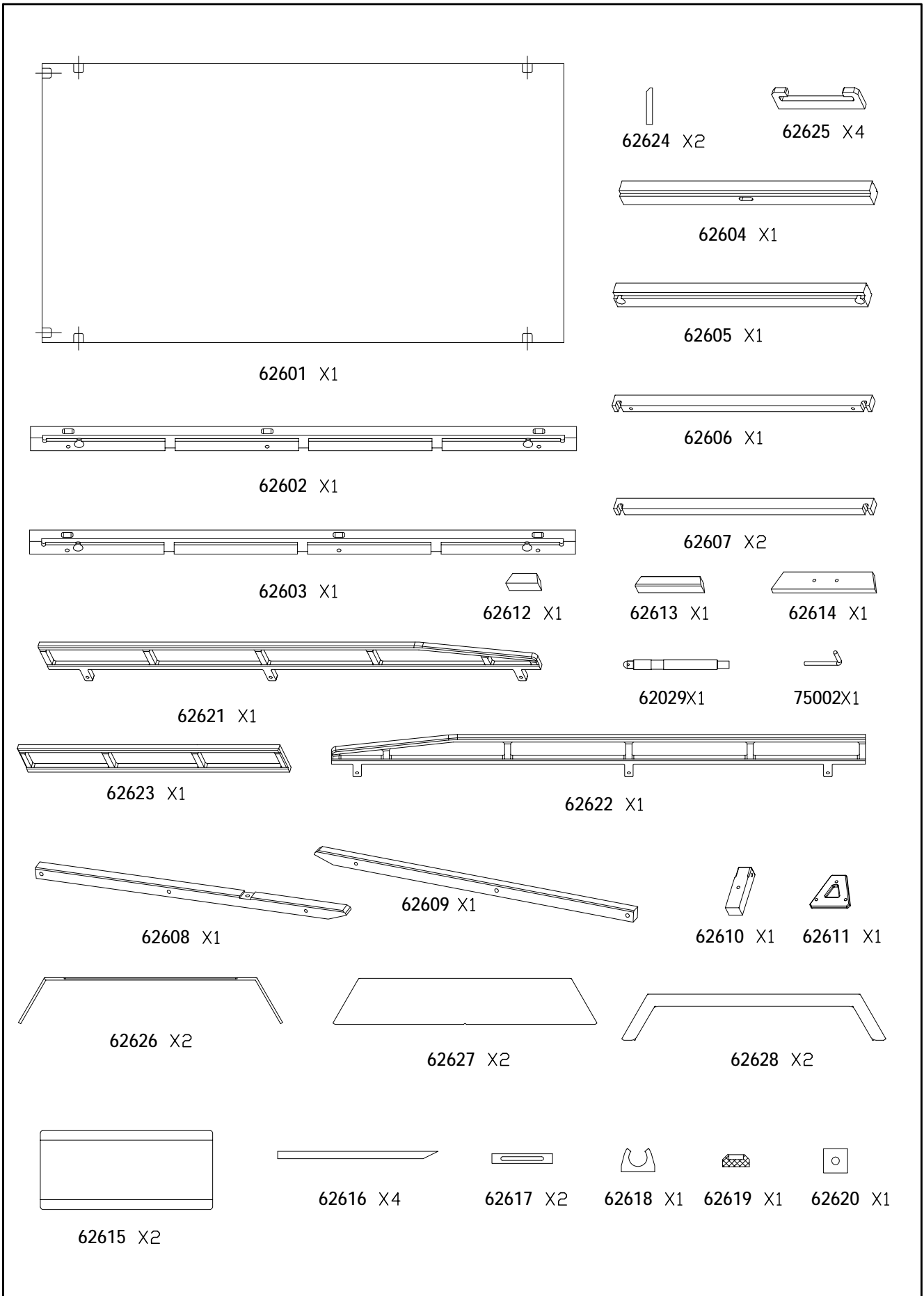
26607 X1

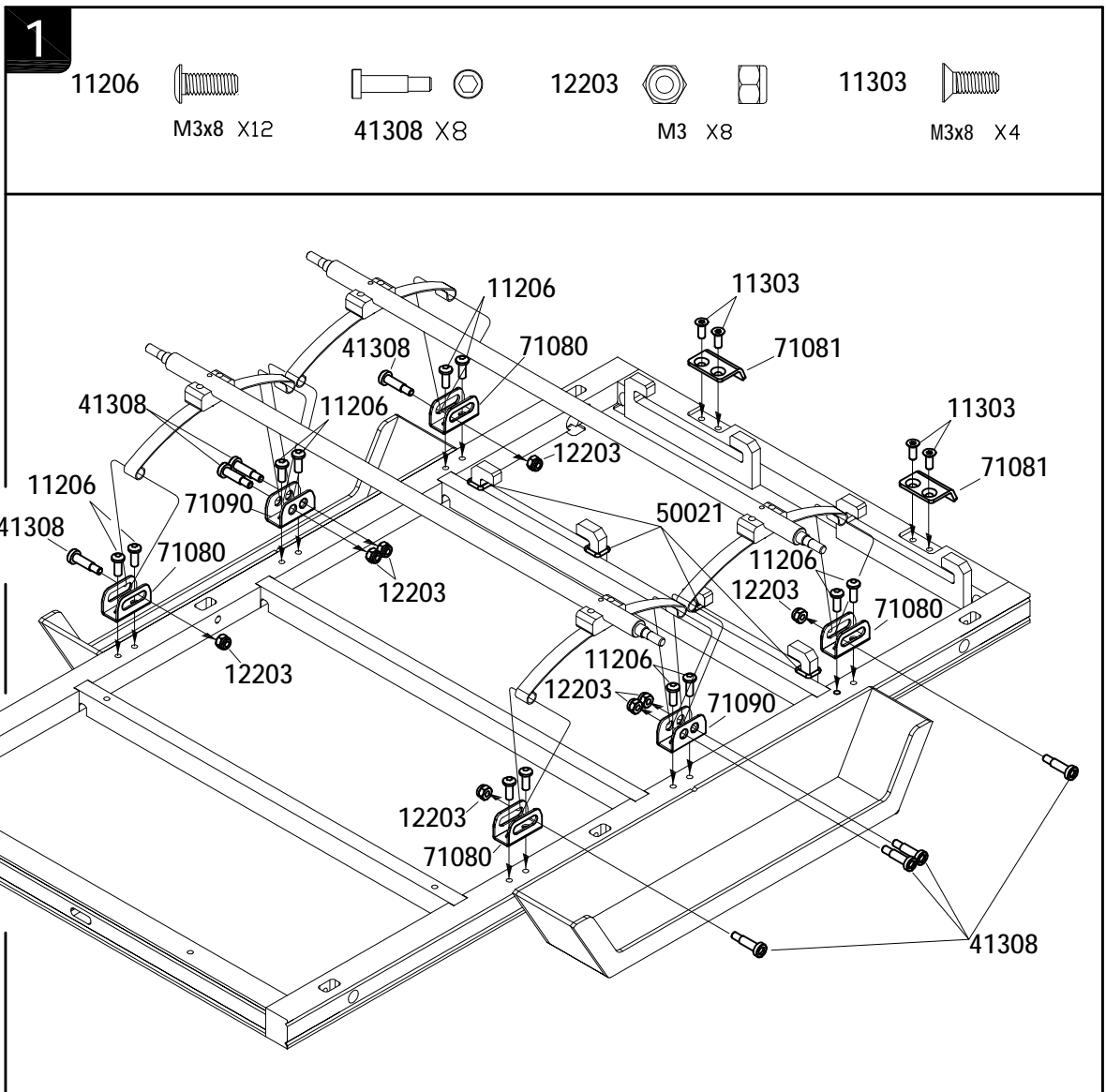
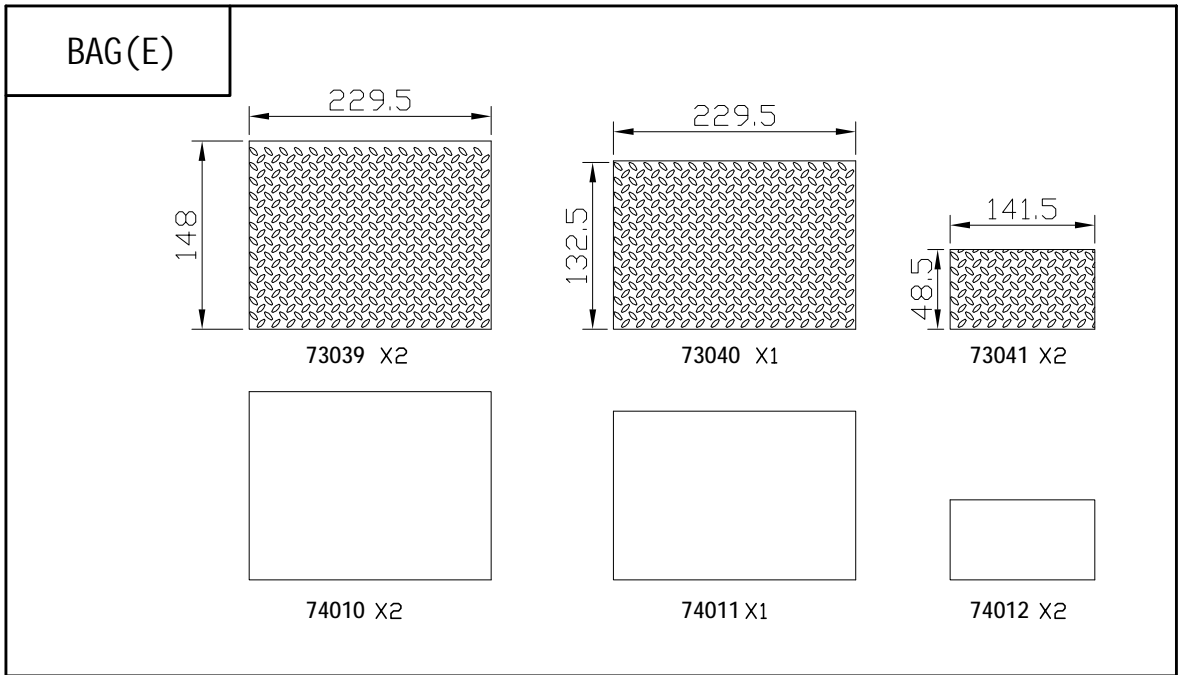
BAG(D)

91039 X1


24603 X6

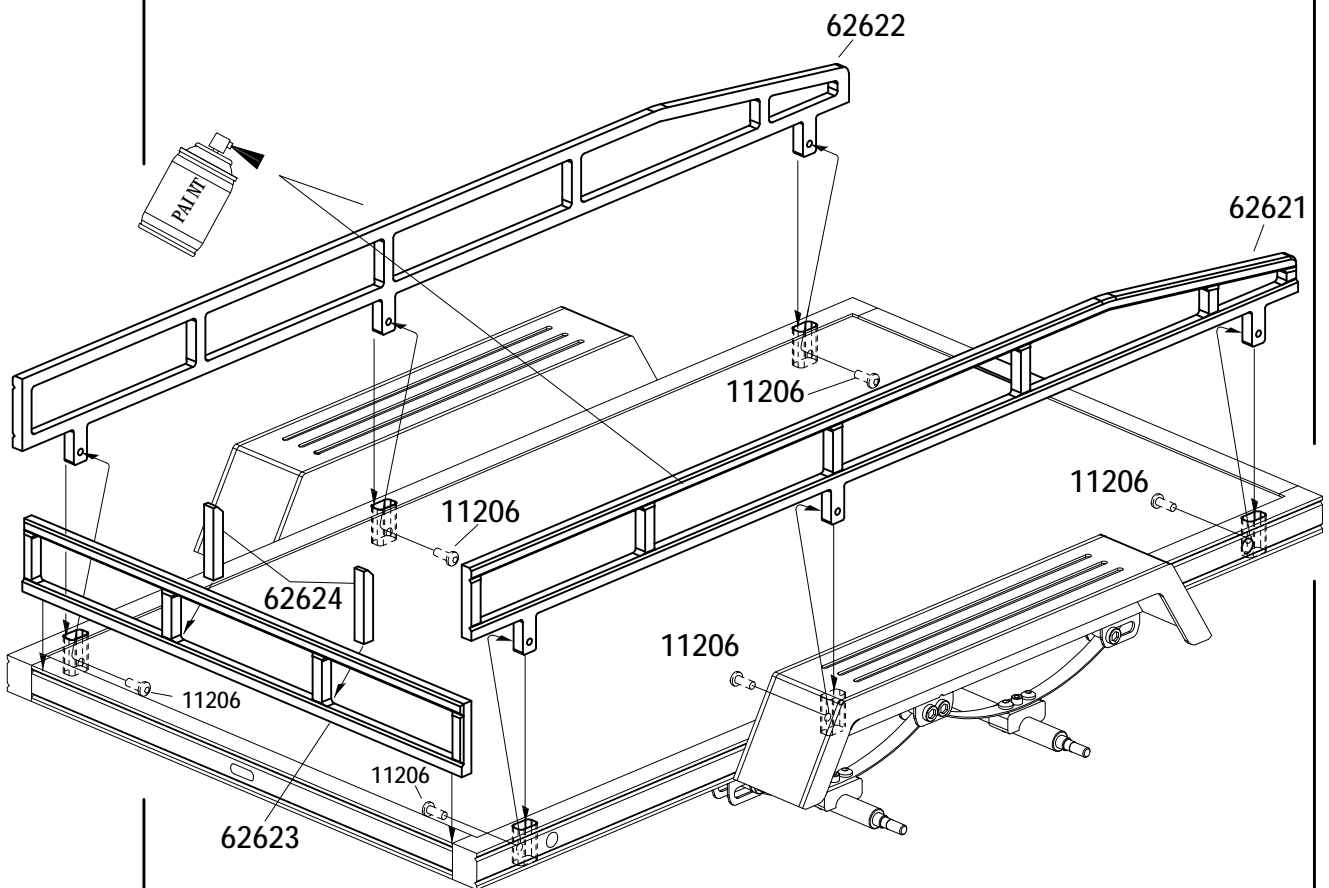
87039 X1 (RED) 87040 X1 (YELLOW) 87041 X1 (YELLOW)









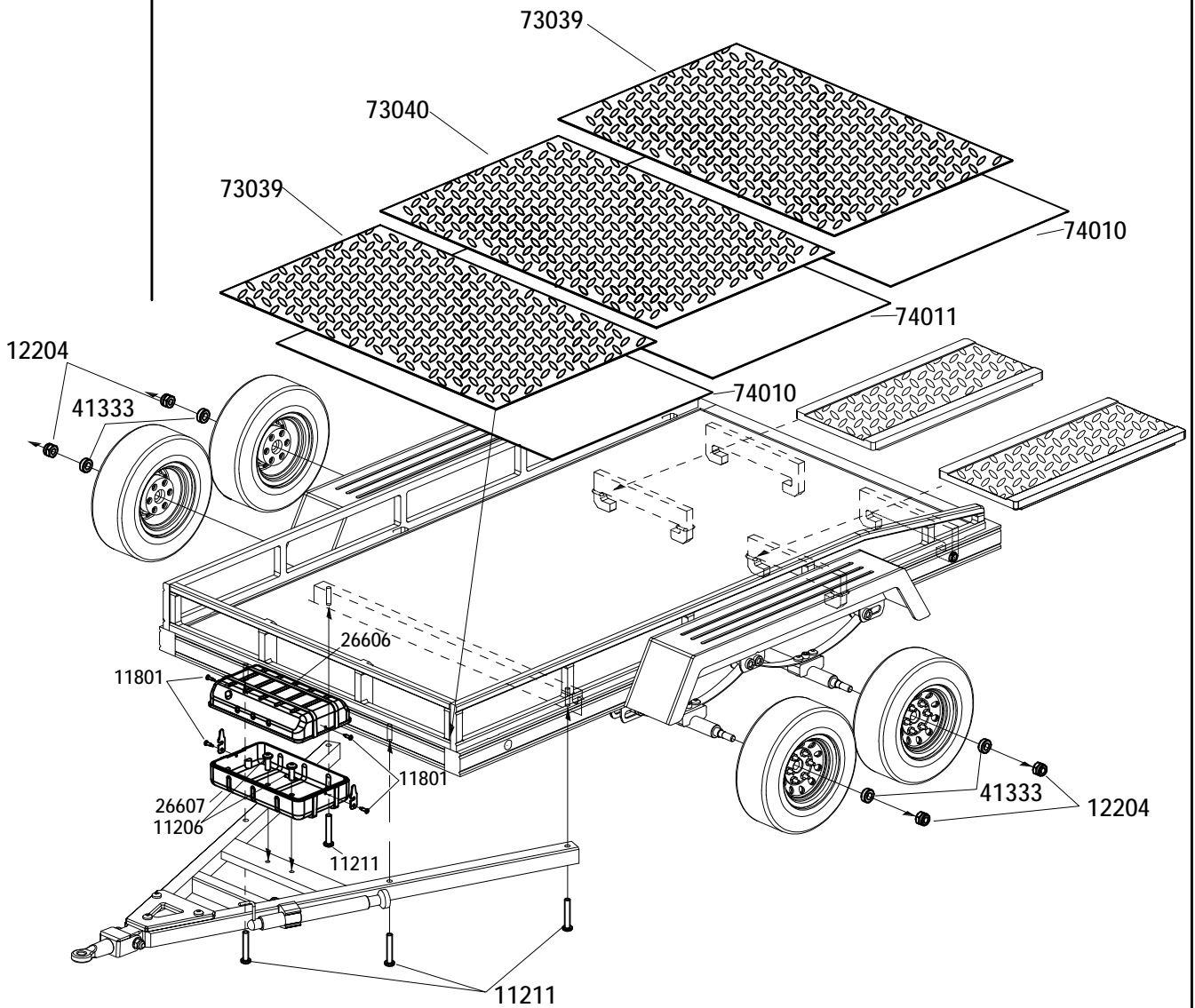
2

11206 
M3x8 X6

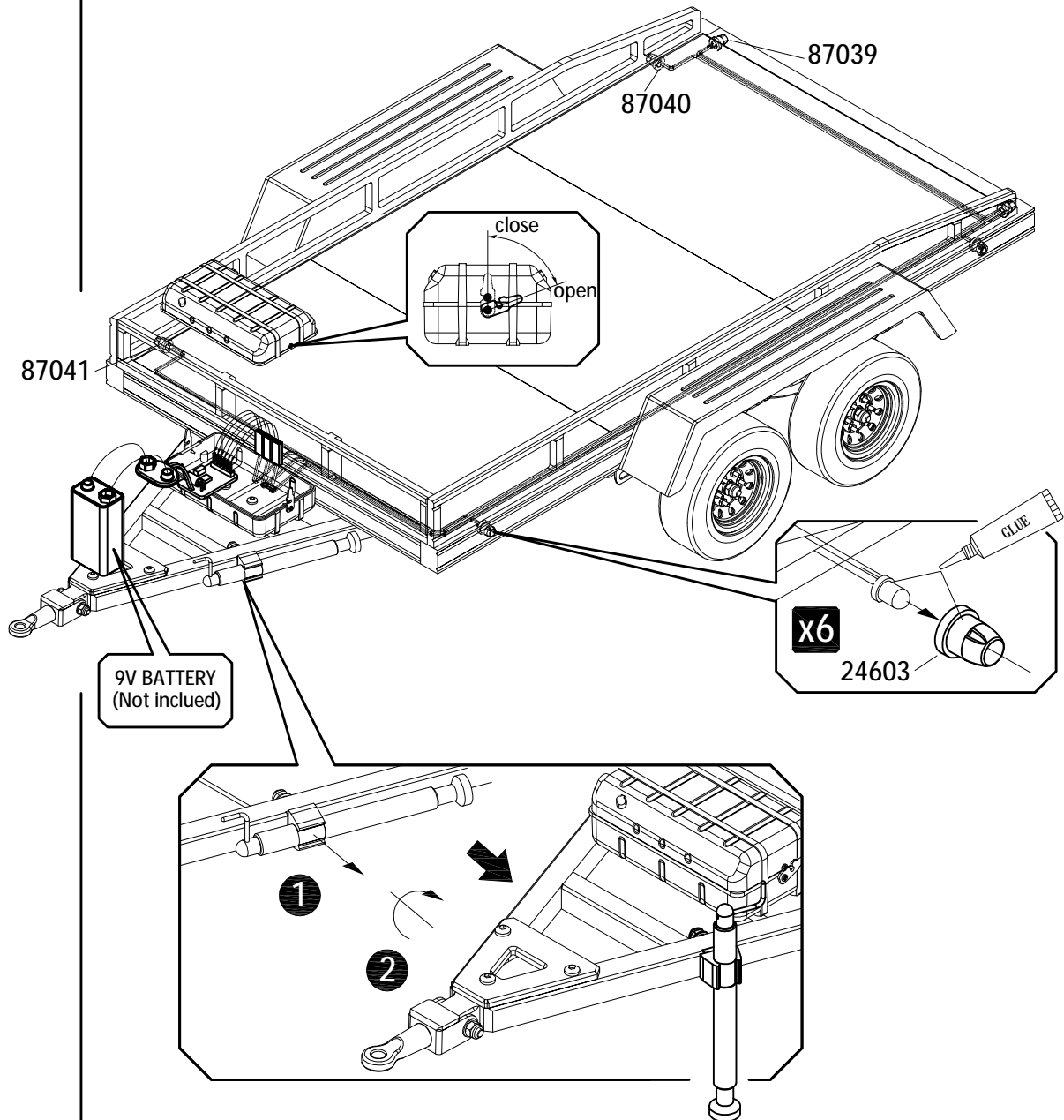


3

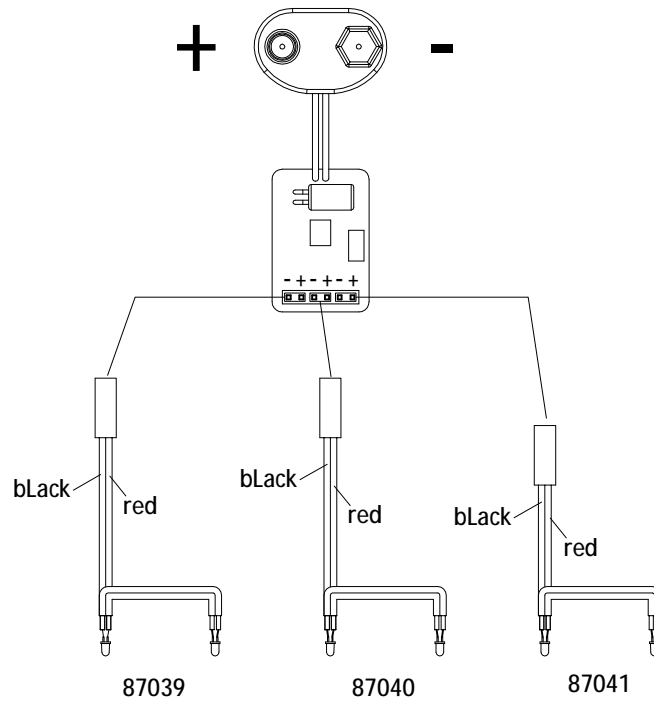
- 11211  M3x18 X4
- 11206  M3x8 X2
- 12204  M4 X4
- 
- 11801  ST1.4x6 X4



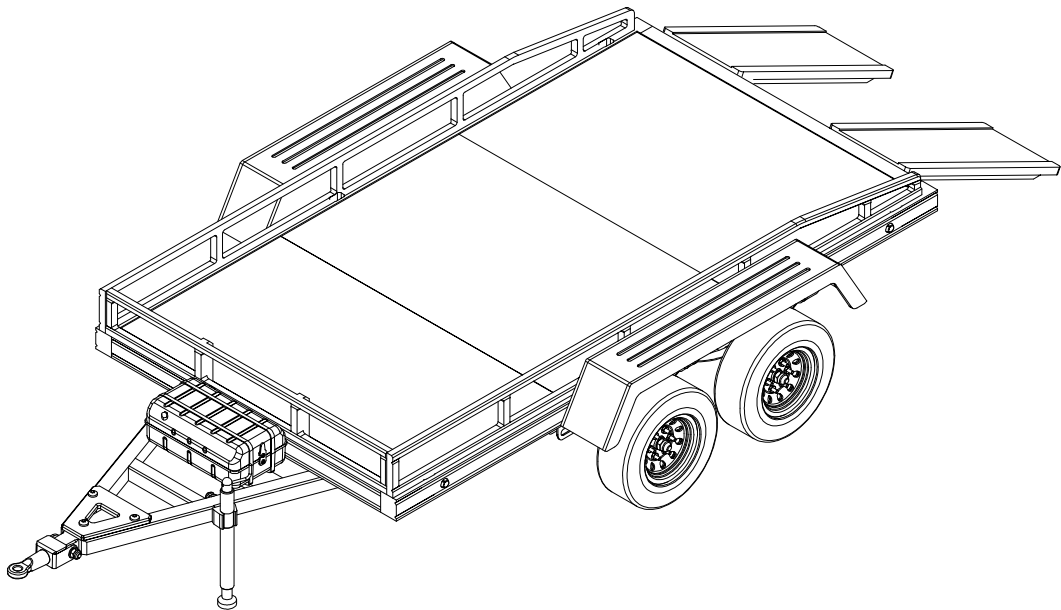
4



5



6



WWW.CROSS-RC.COM