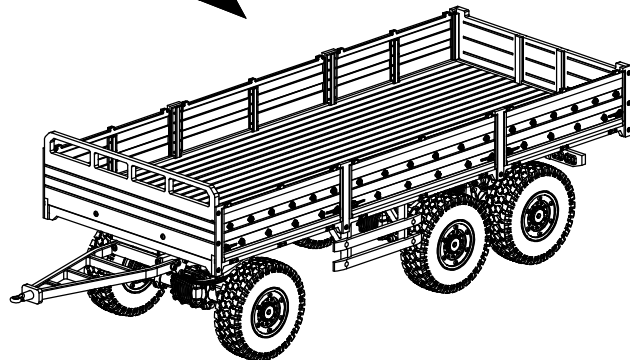
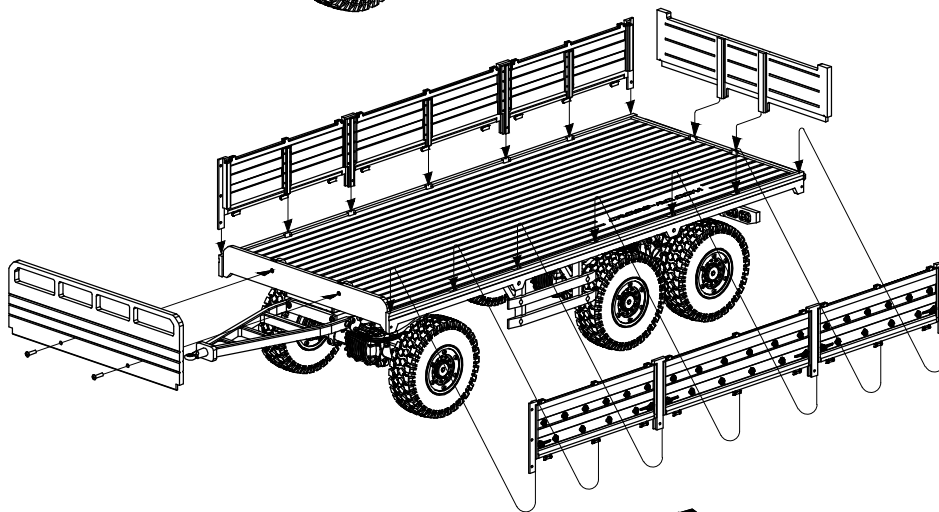
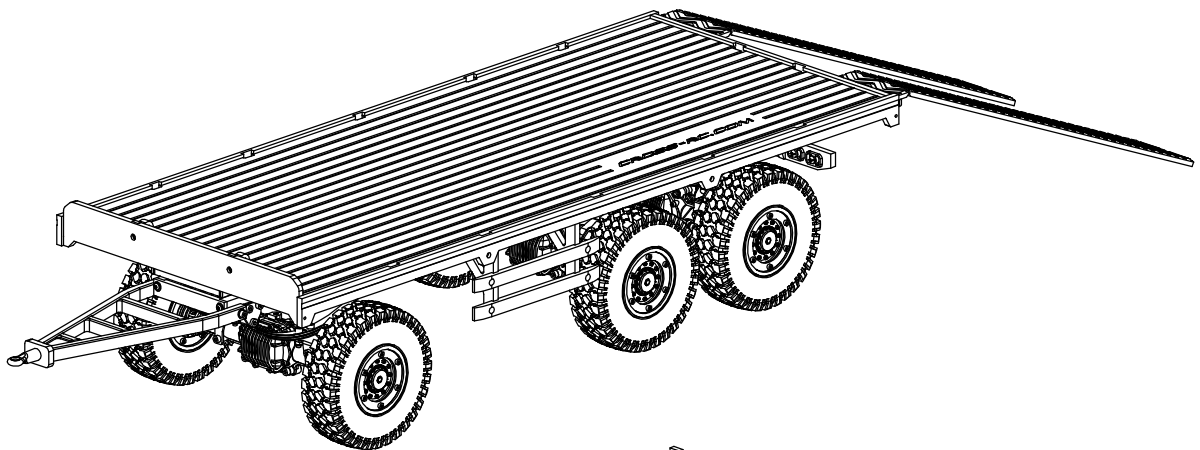


T005

(Installation instruction)



CAUTIONS



To prevent serious personal injury and/or property damage, operate all remotely controlled models in a responsible manner as outlined herein.

◆ Safety Precautions

- 1.1 Choose a right place to operate your RC model.
- 1.2 Do not operate your RC model on the street or highway. It can cause a serious damage or a serious accident.
- 1.3 Never operate your RC model near people or animals.
- 1.4 Do not operate RC model in public places like hospital and residential areas.
- 1.5 Never operate RC model indoors. There is a higher possibility of fire or damage.
- 1.6 Keep the parts out of reach of children, small parts can cause choking and vinyl bags can suffocate.
- 1.7 Do not use with children younger than 14 years.

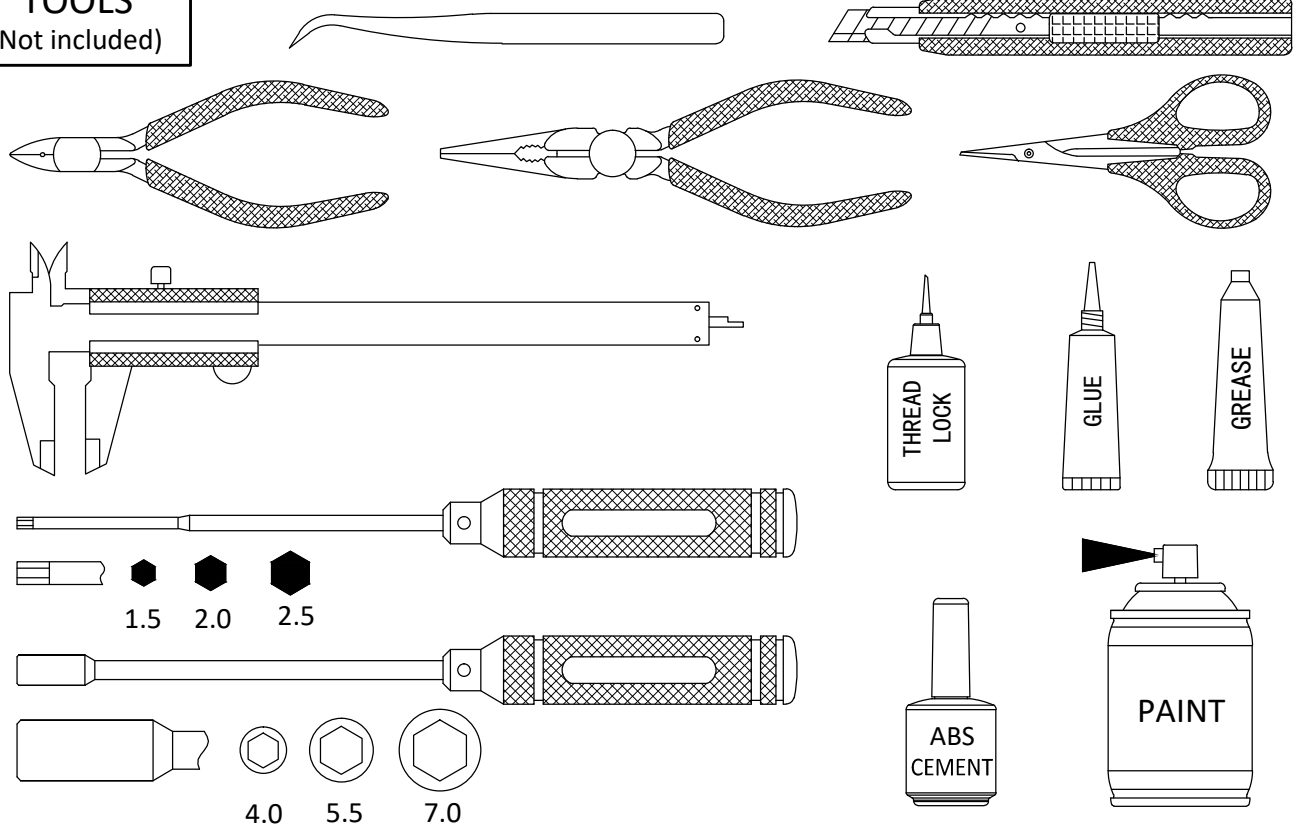
◆ Inspect your RC model before operation

- 2.1 Make sure that all screws and nuts are properly tightened. It is also a good idea to use removable thread lock wherever metal screws go into metal, especially for engine mounts and the engine pilot shaft.
- 2.2 Always use fresh batteries for your transmitter and for your receiver to avoid losing control of the model.
- 2.3 Always test the brakes and throttle before starting your engine to avoid losing control of the model.
- 2.4 Always turn on the transmitter first, and then turn on the receiver.

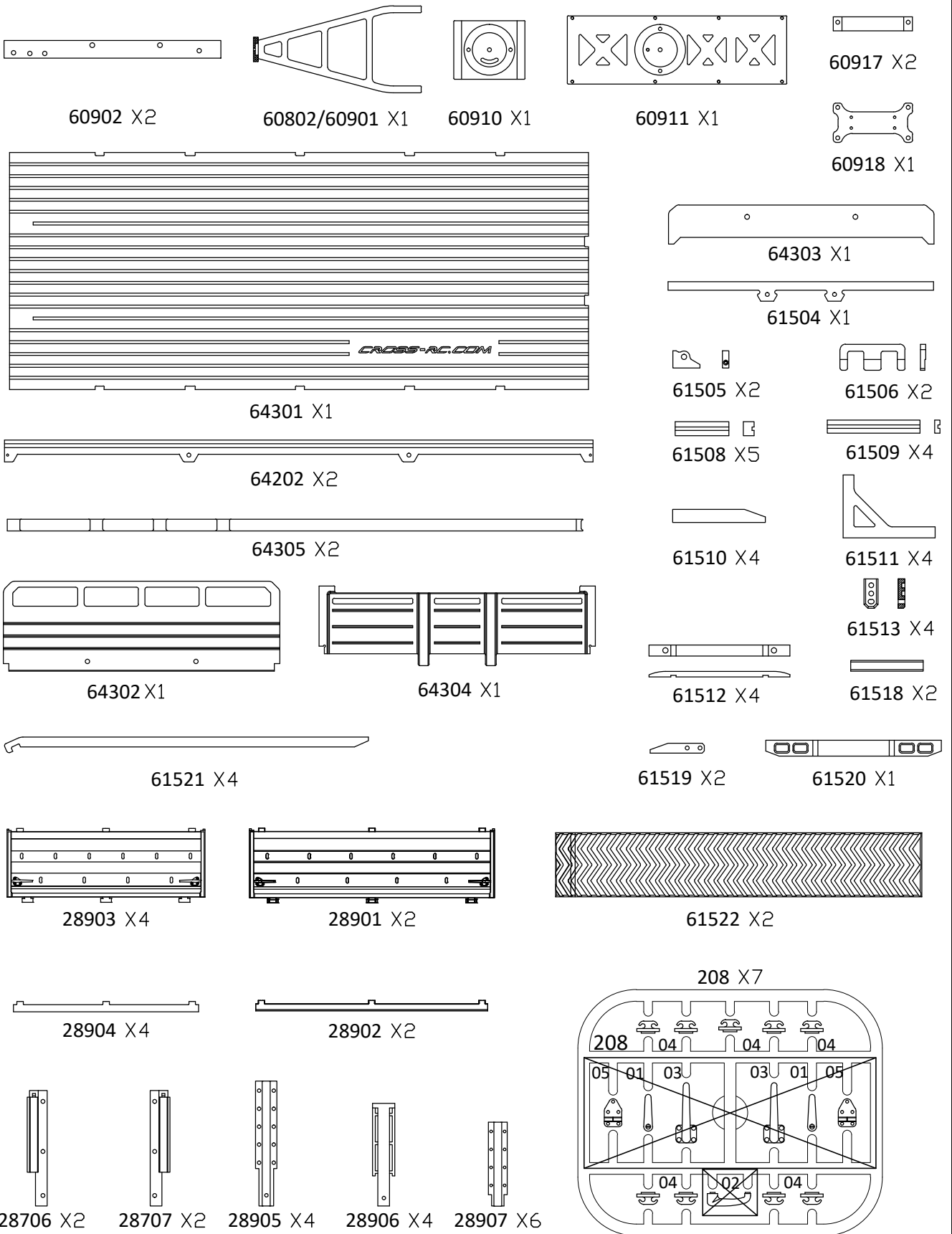
◆ After operation of your RC model

- 3.1 Turn off receiver first, then turn off transmitter, this will prevent runaways.
- 3.2 Be careful when handling batteries, they will be hot after running.
- 3.3 Replace any batteries that have been dented or have frayed wires, short circuits can cause fire.

TOOLS (Not included)



Plank



Frame

43061X1

43062X1

Fastener

FA1 M3 X80	FA2 M4 X7	FA3 M4x4 X1	FA4 M3x6 X24	FA5 M3x12 X6	FA6 M3x16 X9	FA7 M3x16 X10	FA8 M2x6 X100	FA9 M2.5x6 X16	FA10 M3x8 X12	FA11 M3x12 X30	FA12 M3x14 X20	FA13 M3x16 X10	FA14 M3x22 X14	FA15 M3x16 X2	FA16 M4x25 X1	FA17 M3x20 X1	FA18 ø3xø7x0.5 X19	FA19 ø5xø10x4 X12	FA20 (15001) ø35xø52x2 X1
-------------------	------------------	--------------------	---------------------	---------------------	---------------------	----------------------	----------------------	-----------------------	----------------------	-----------------------	-----------------------	-----------------------	-----------------------	----------------------	----------------------	----------------------	---------------------------	--------------------------	-------------------------------------

Bag A

30108 X1

41103 X4 (47)

41104 X2

41105 X4 (30)

41232 X6 (98.5)

41209 X6

41308 X8

42304 X3

71013 X8

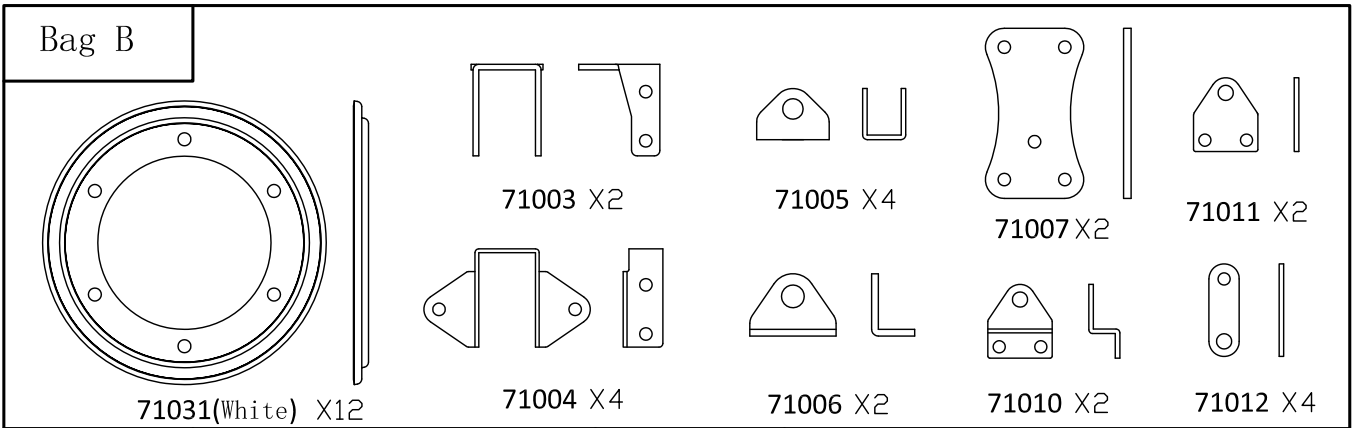
71014 X8

71015 X4

22101 X4

22102 X4

Bag B



71031(White) X12

71003 X2

71005 X4

71007 X2

71011 X2

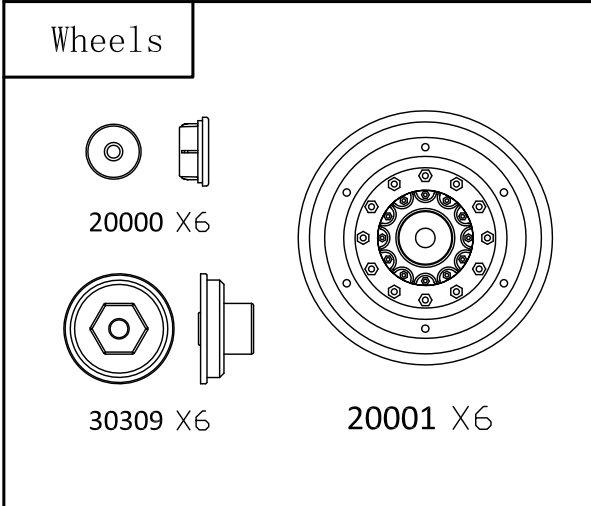
71004 X4

71006 X2

71010 X2

71012 X4

Wheels

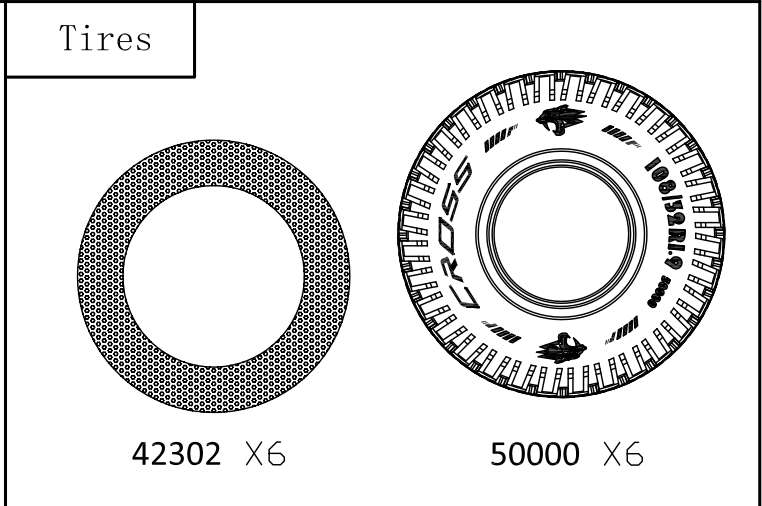


20000 X6

30309 X6

20001 X6

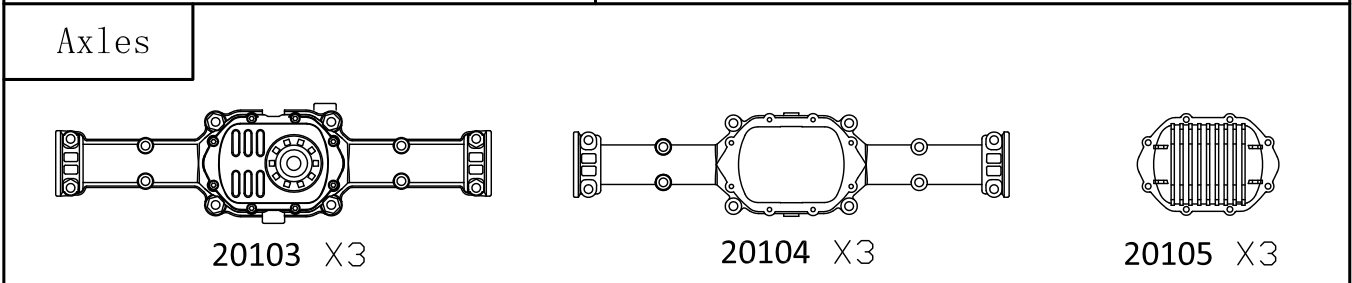
Tires



42302 X6

50000 X6

Axles

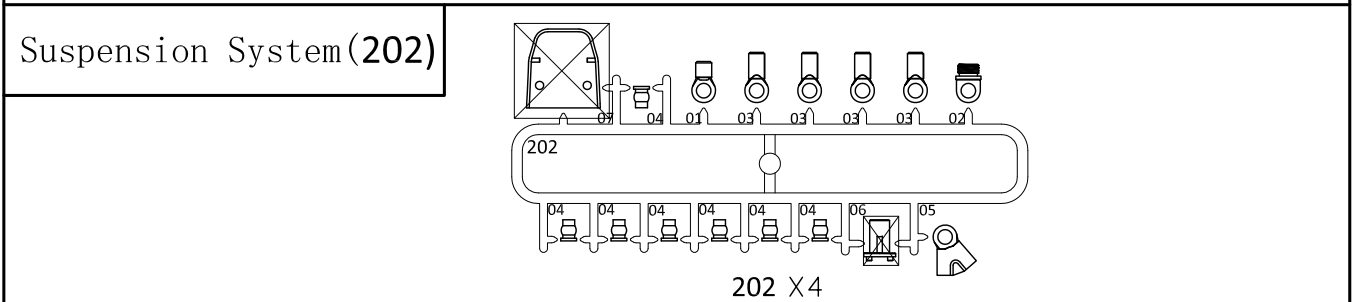


20103 X3

20104 X3

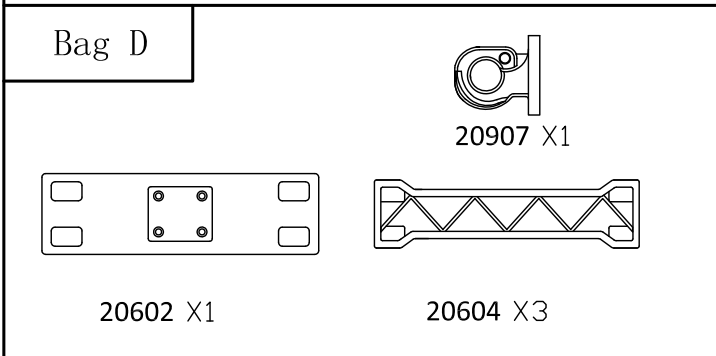
20105 X3

Suspension System(202)



202 X4

Bag D

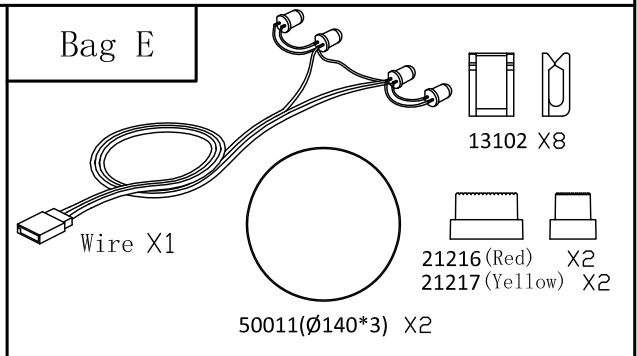


20602 X1

20907 X1

20604 X3

Bag E



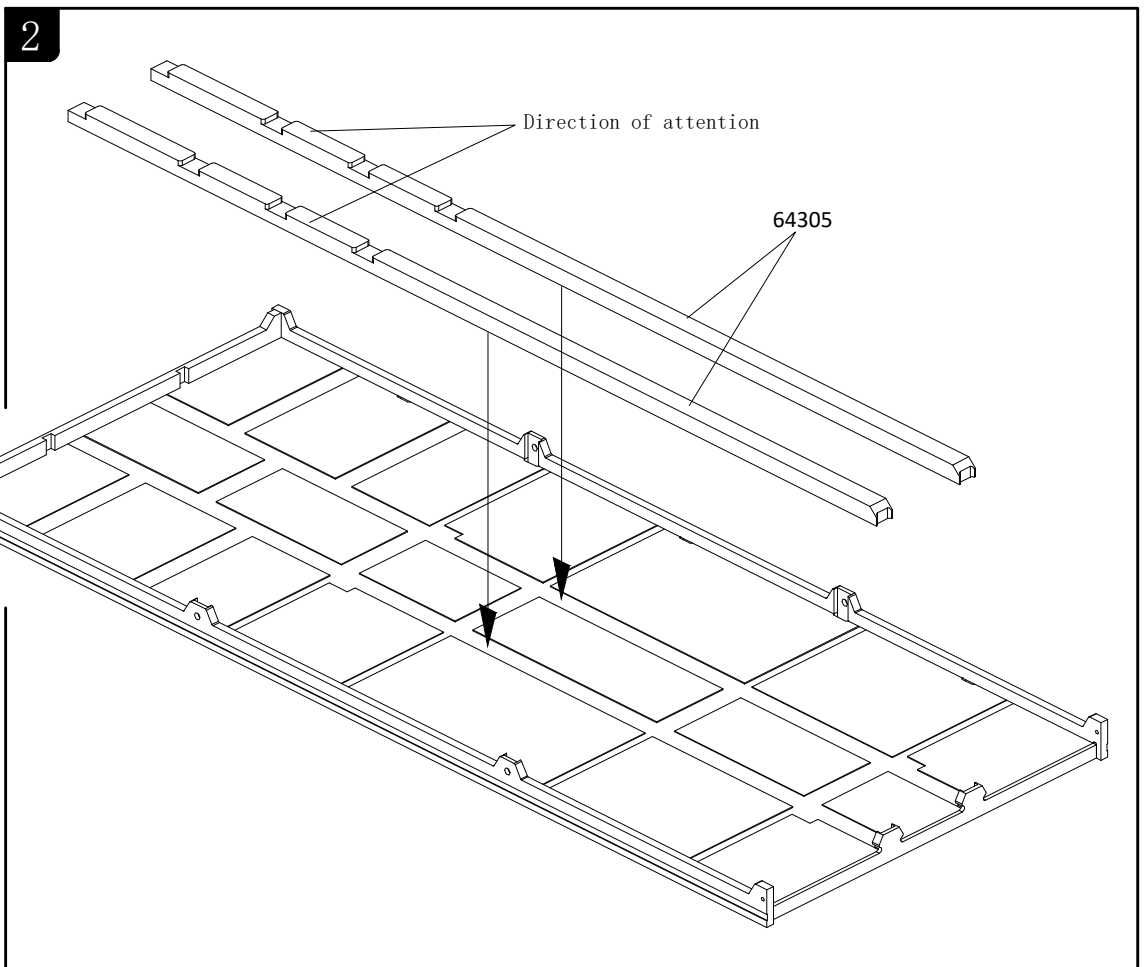
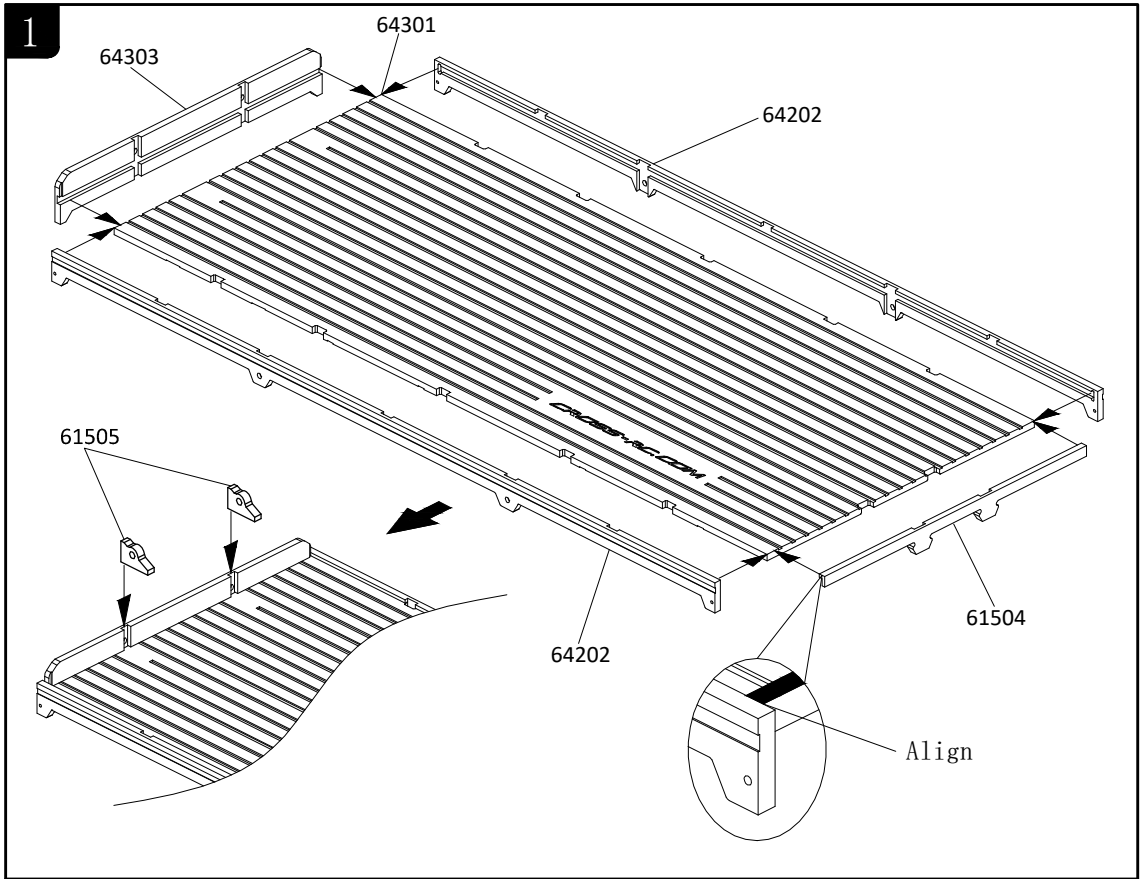
Wire X1

13102 X8

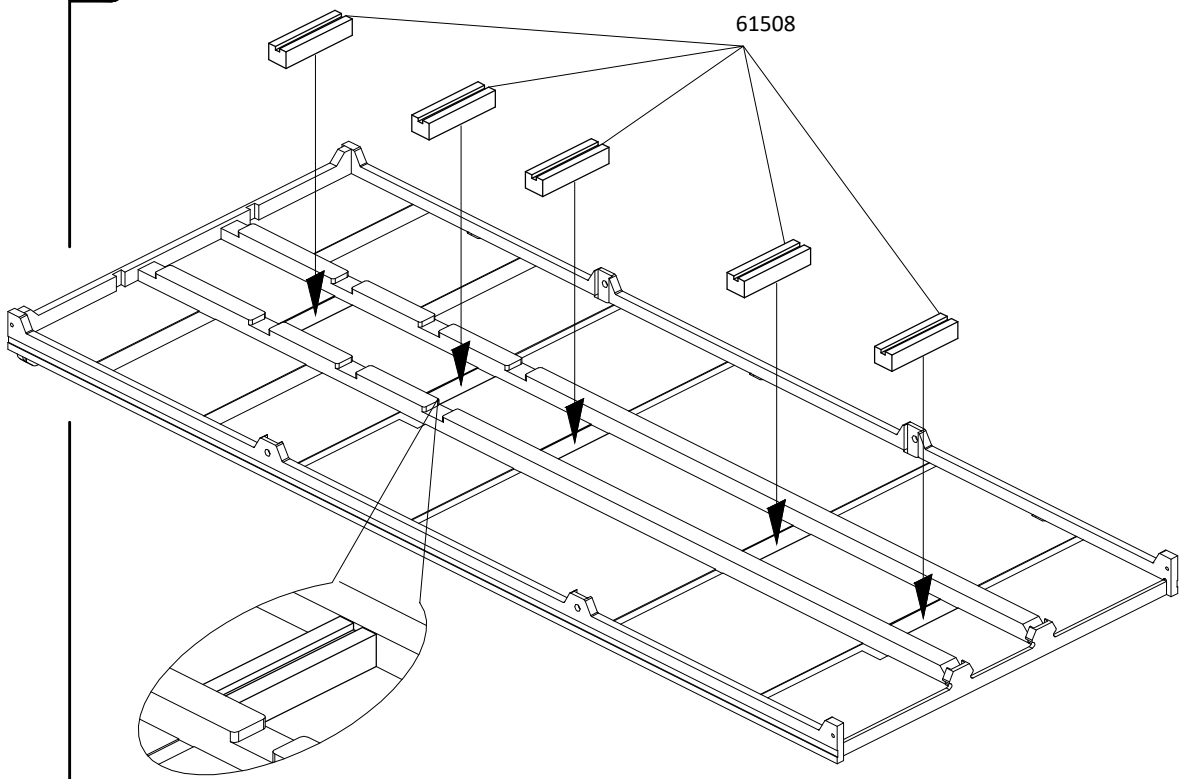
21216 (Red) X2

21217 (Yellow) X2

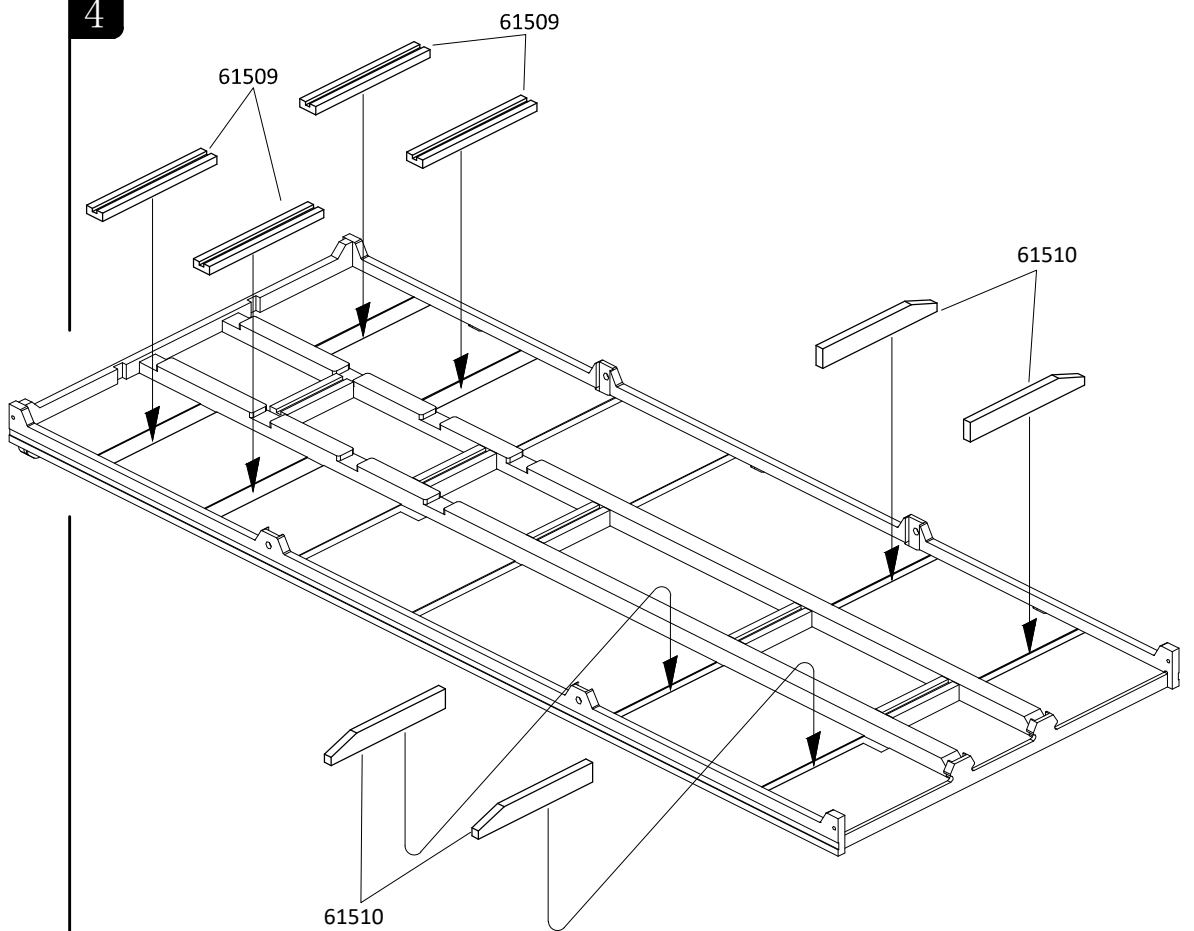
50011(Ø140*3) X2

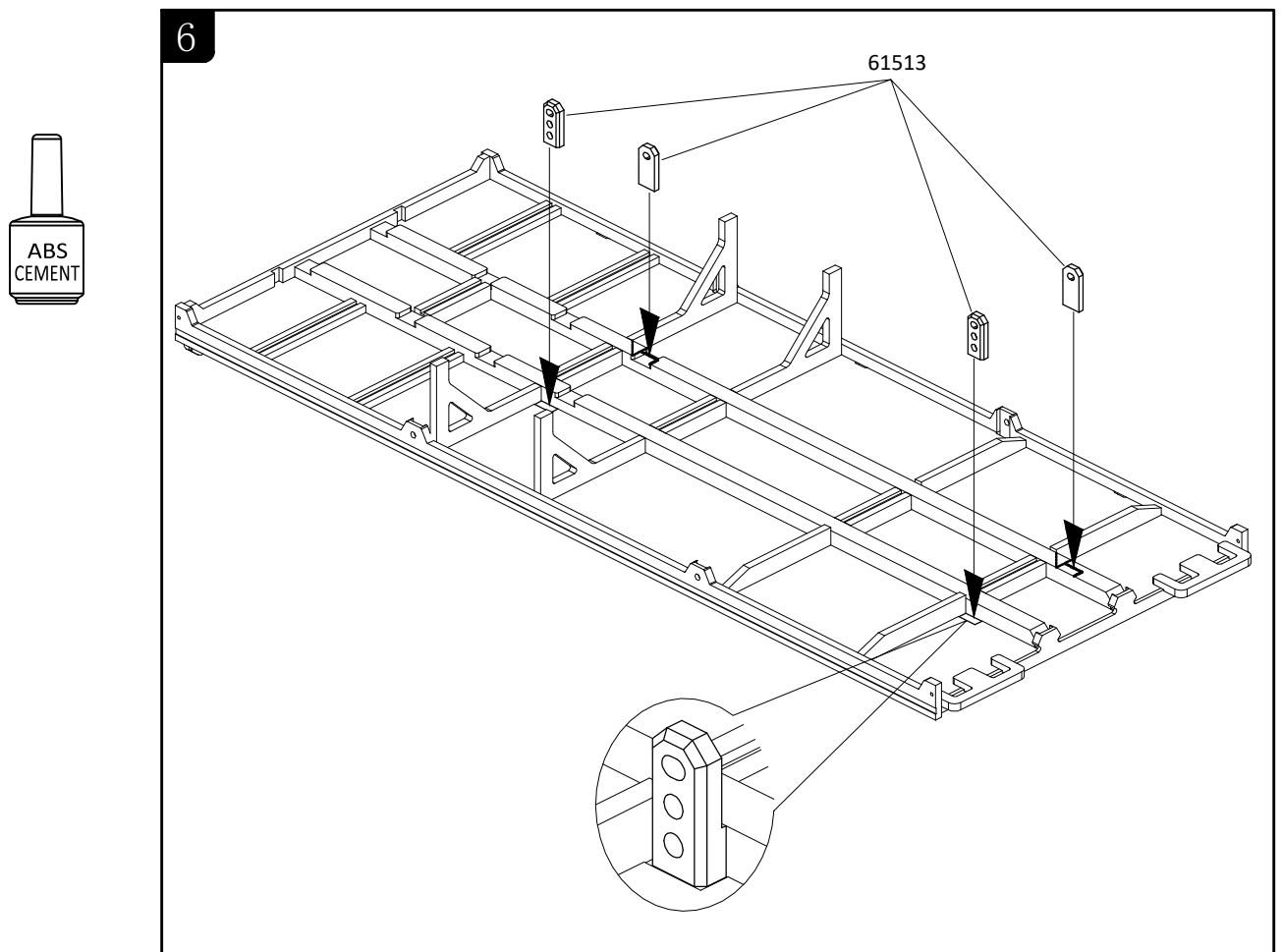
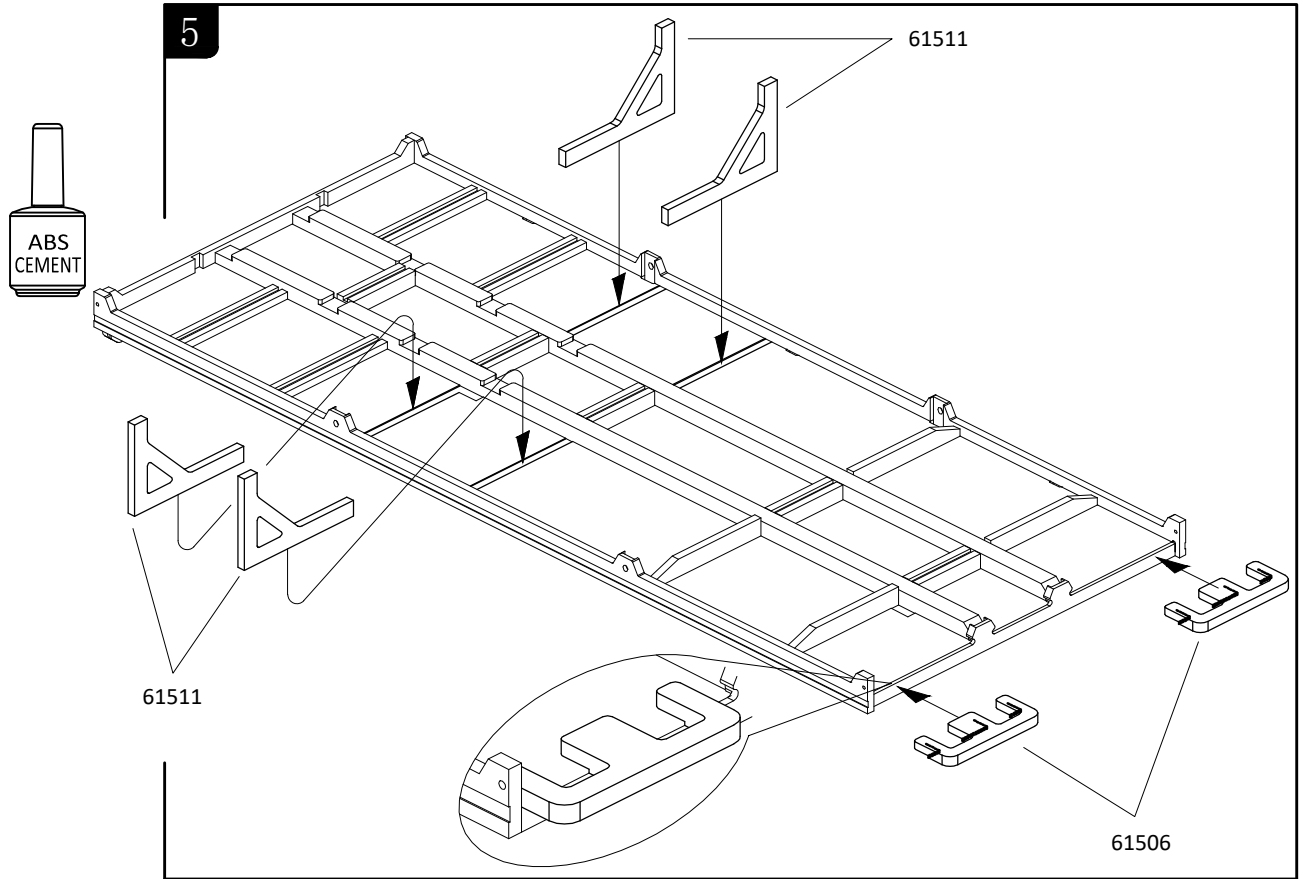


3

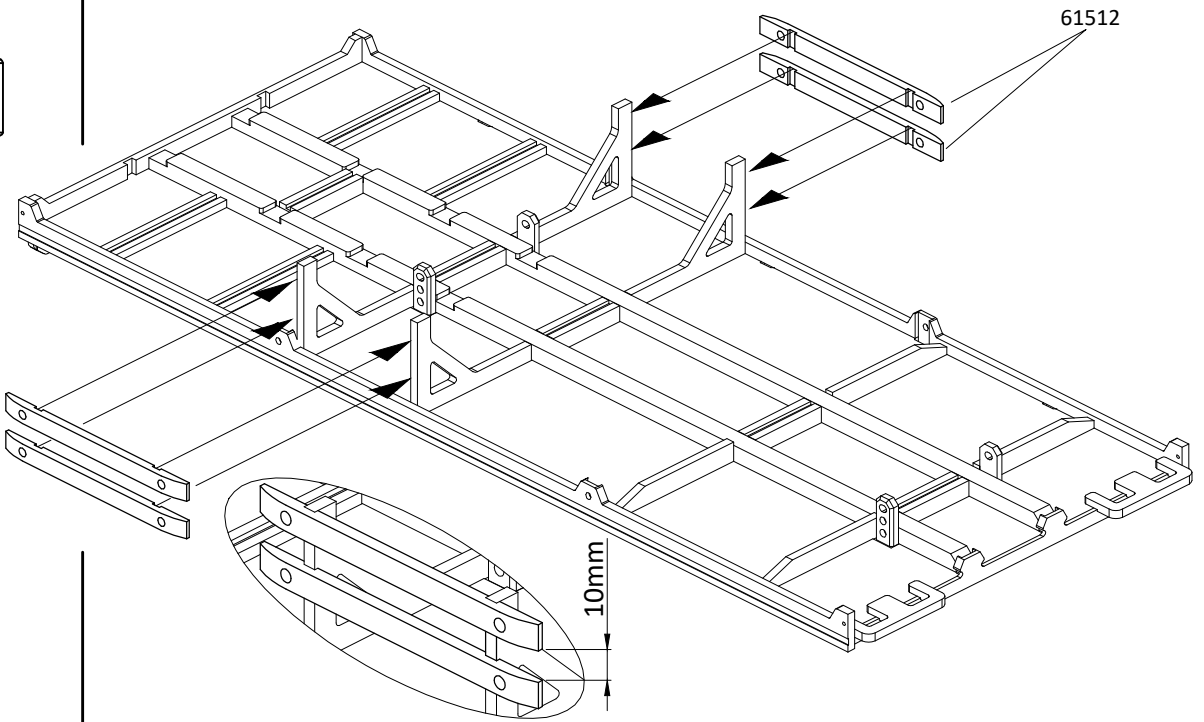


4

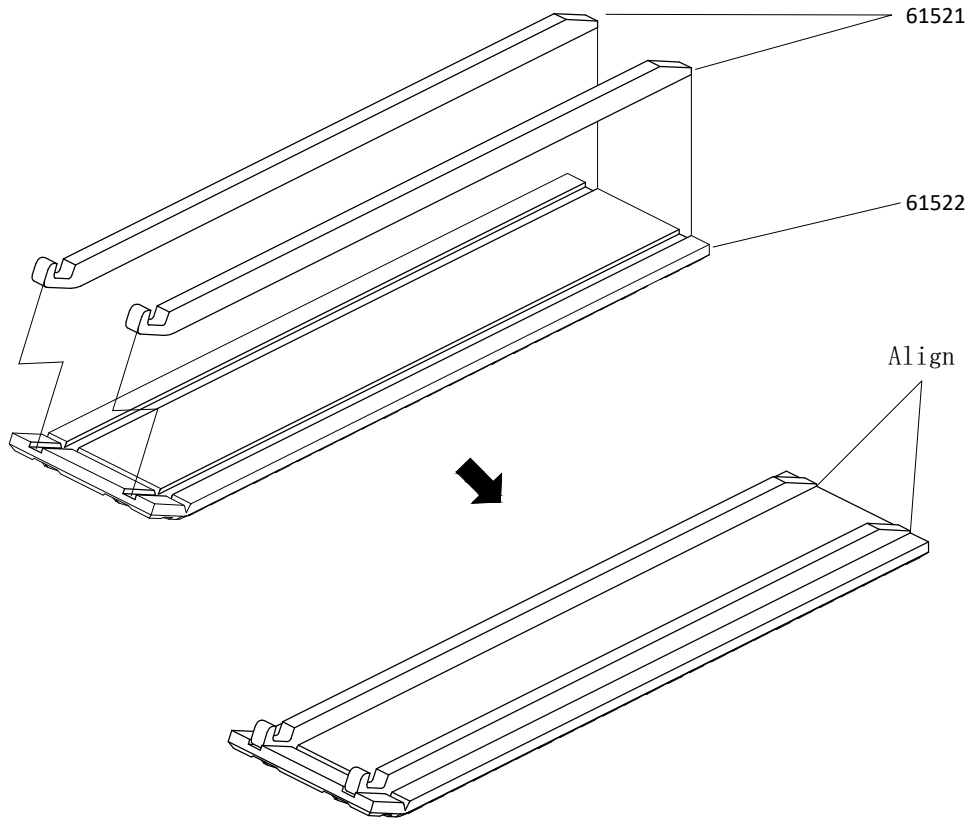




7

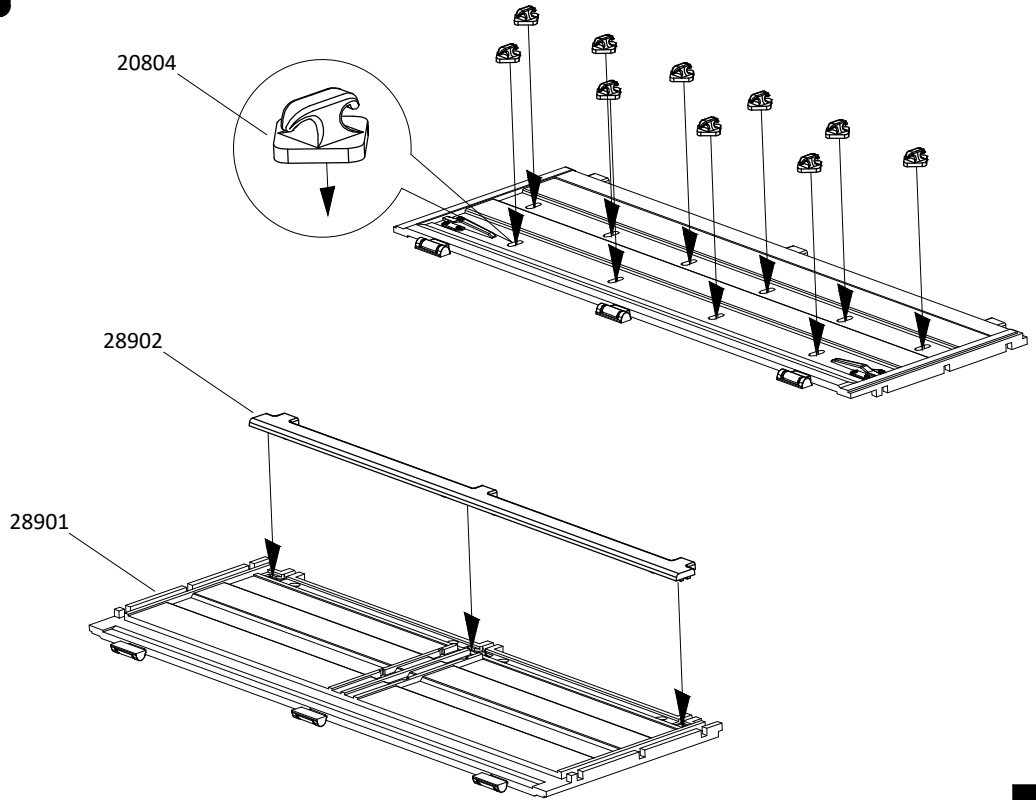


8



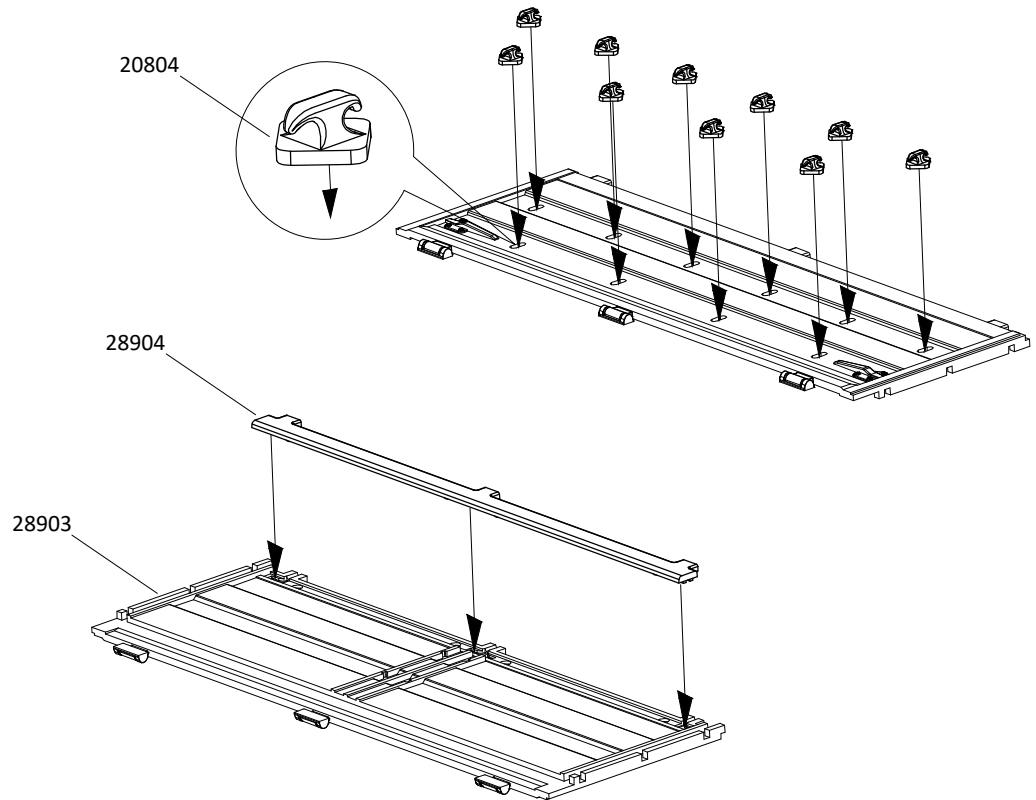
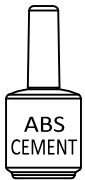
X2

9



X2

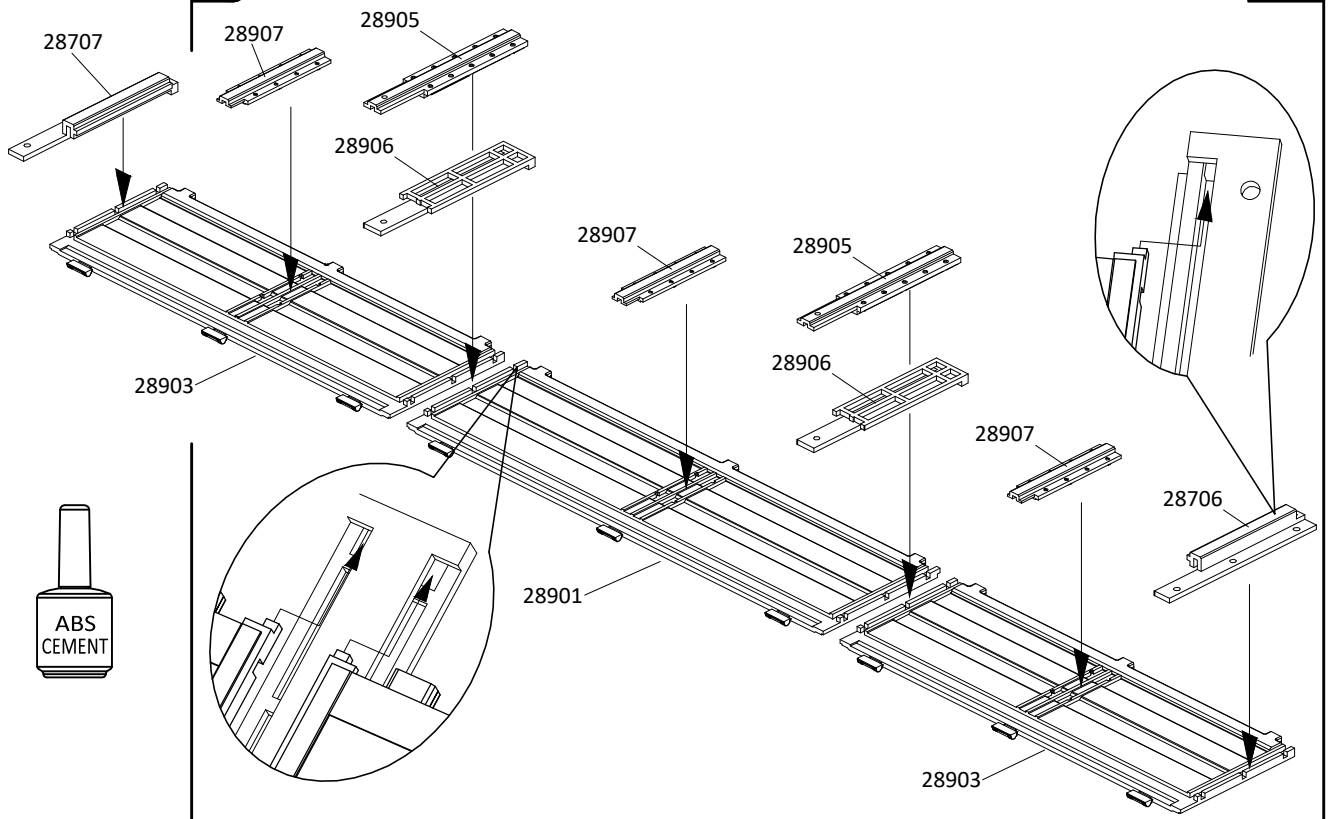
10



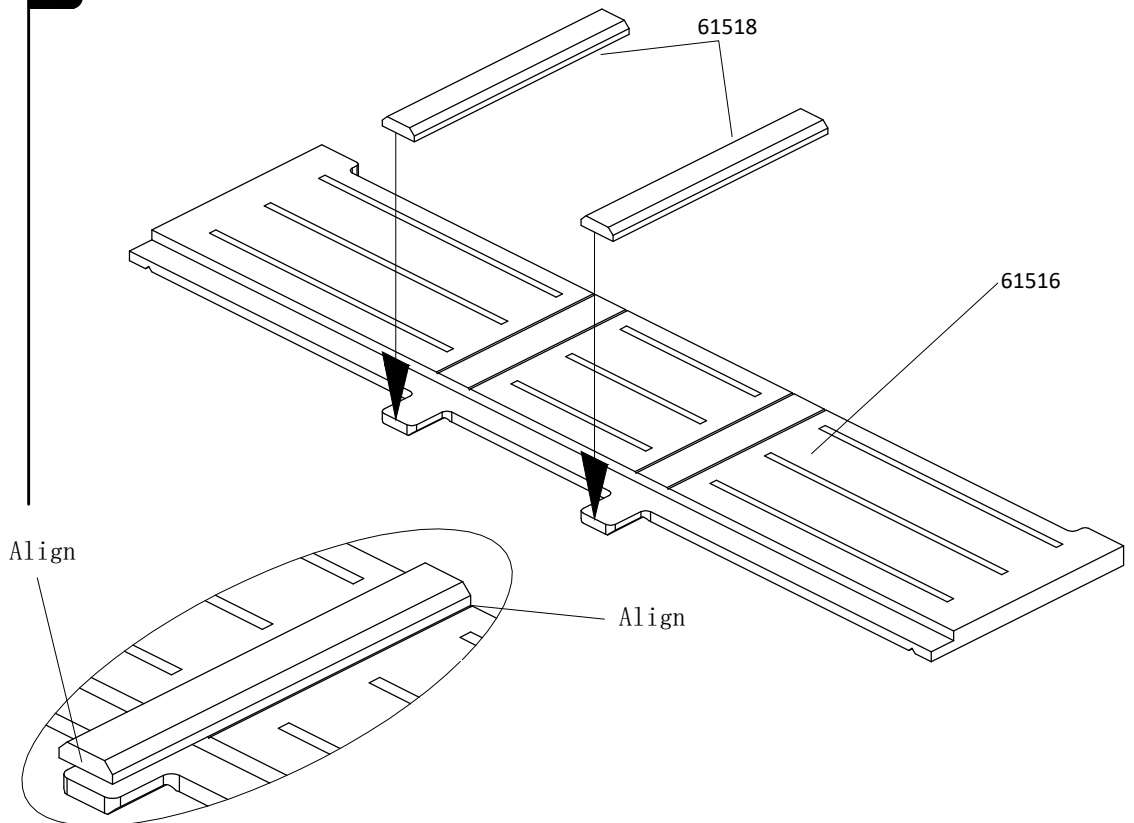
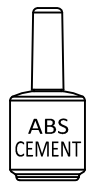
X4

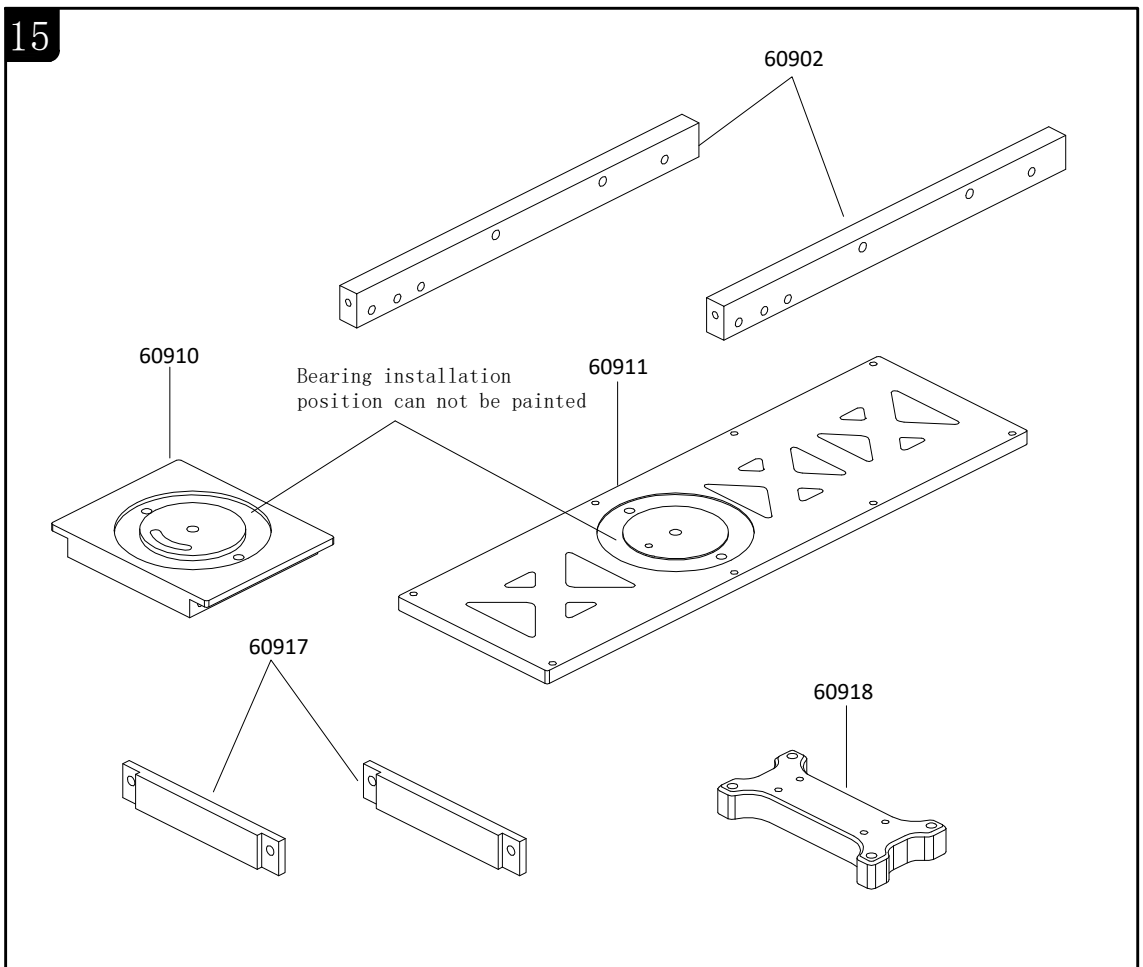
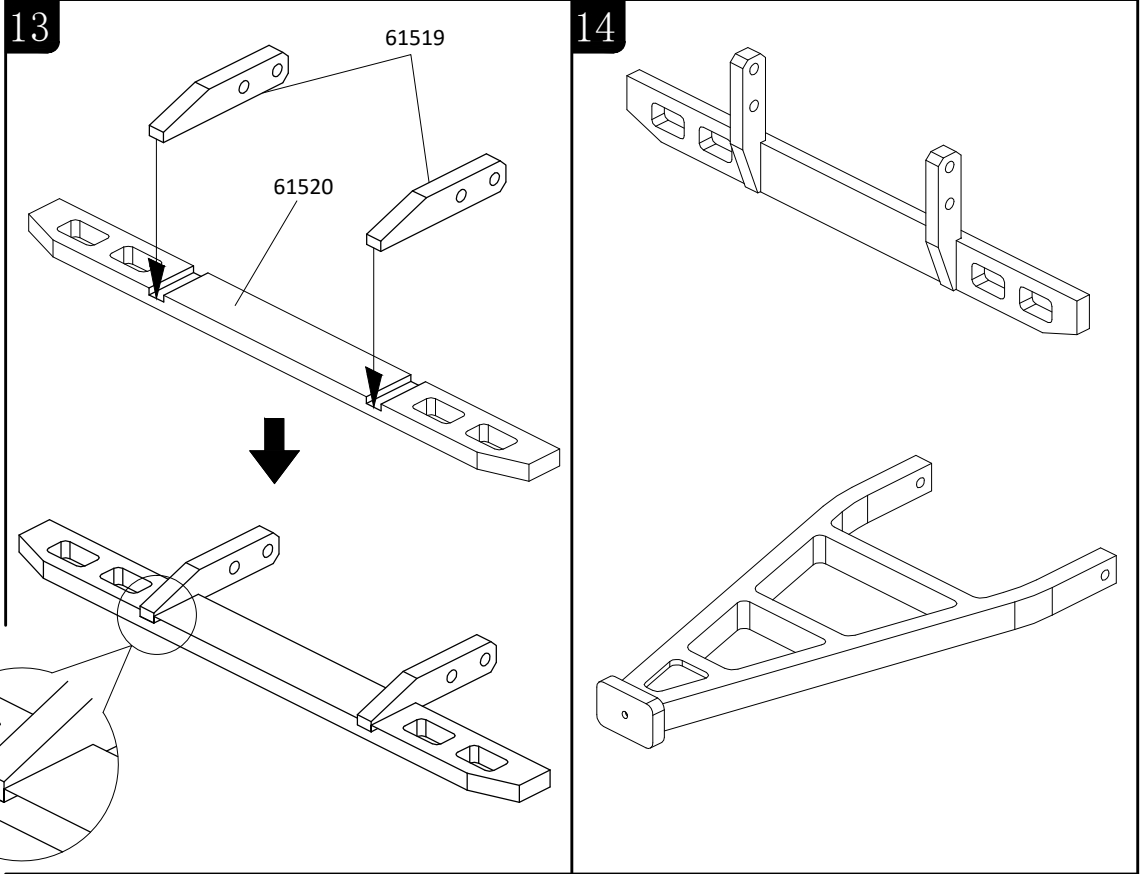
11

X2

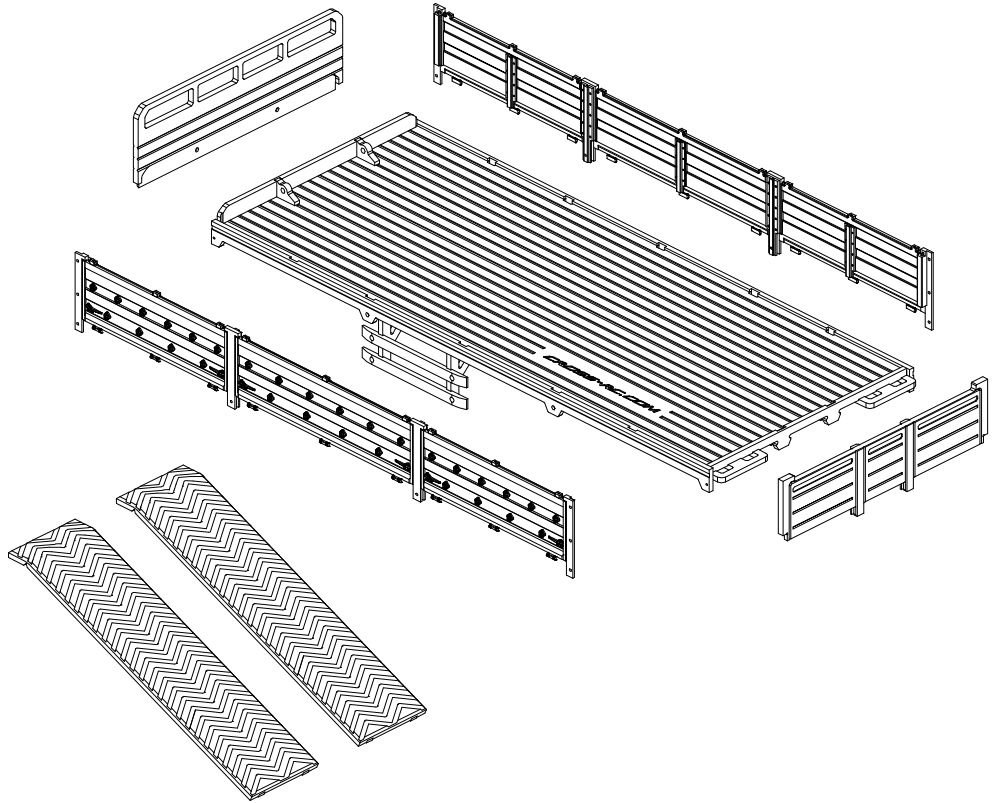


12



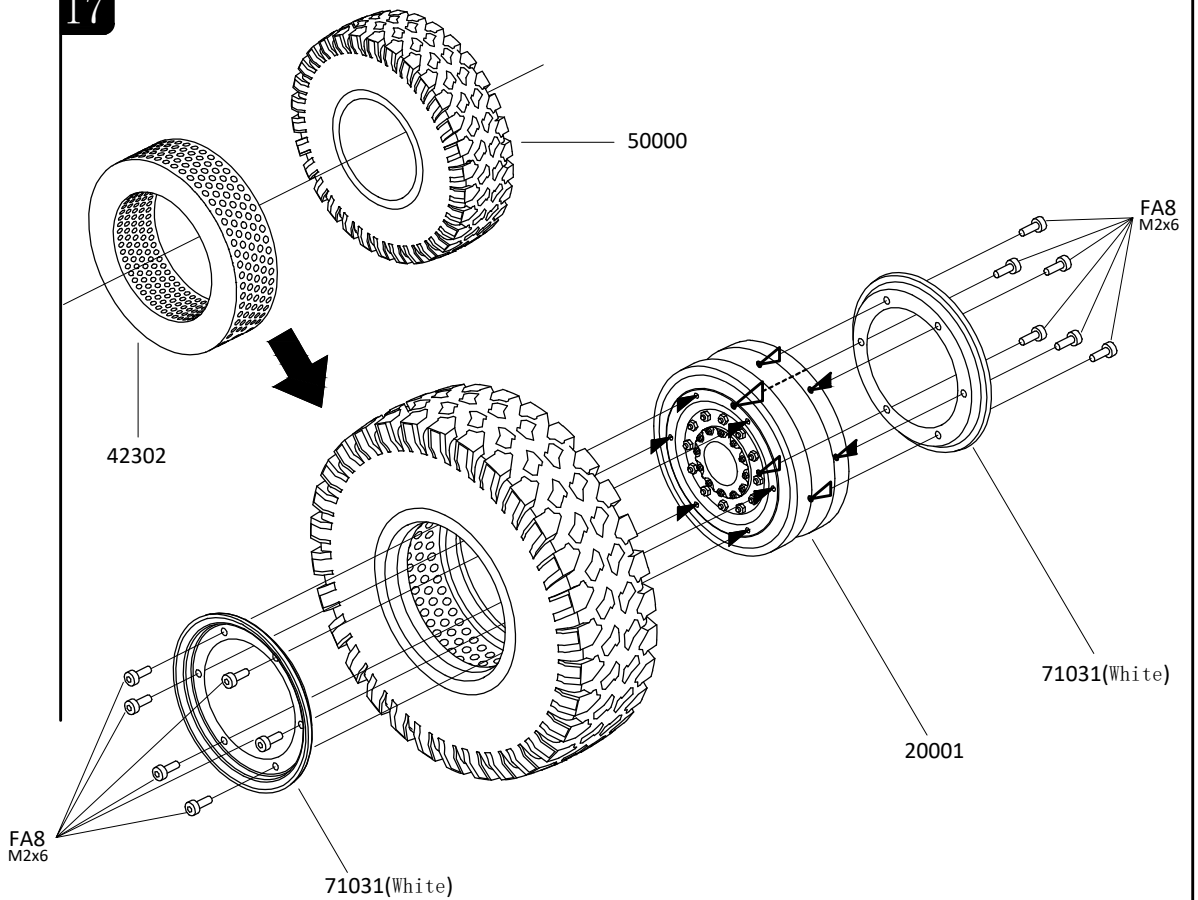


16

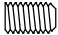


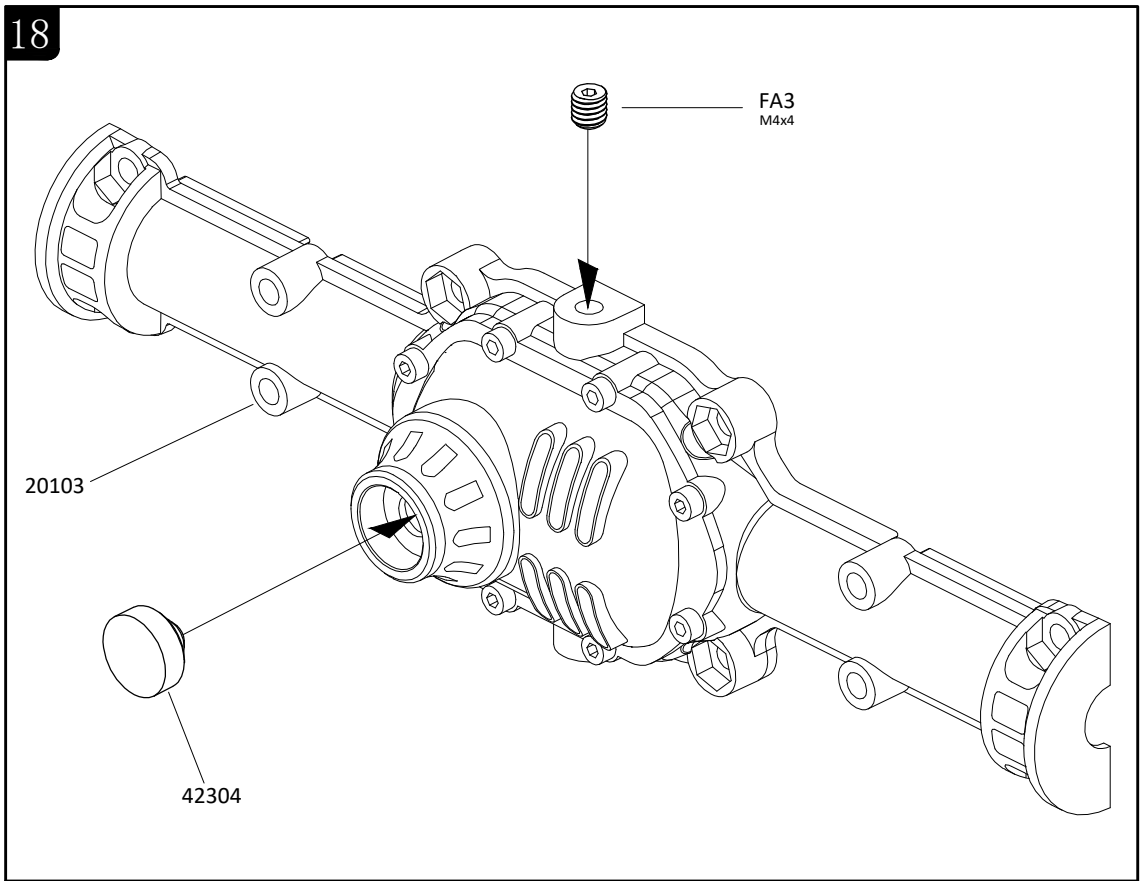
17

FA8
M2x6 X72




18



FA3 
M4x4 X1

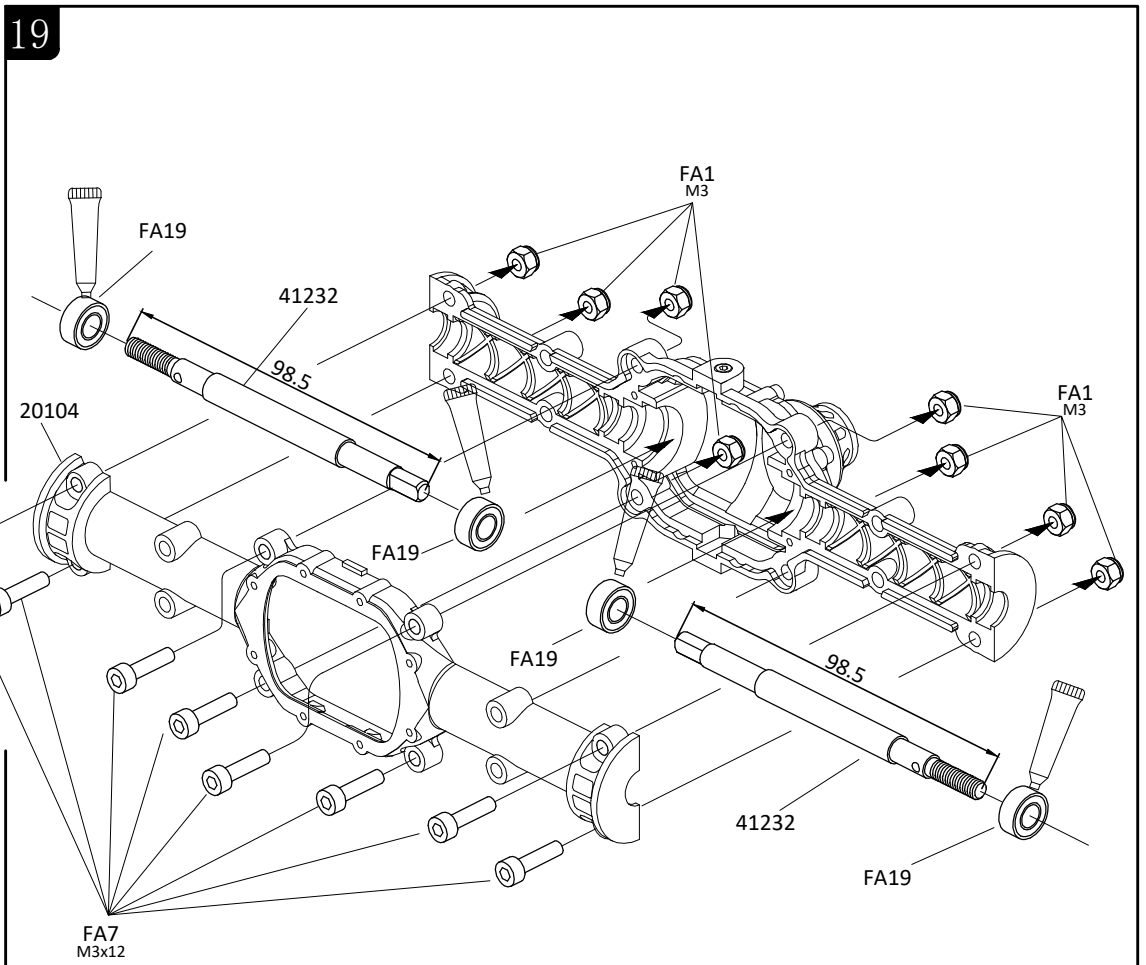


19

FA1  
M3 X16

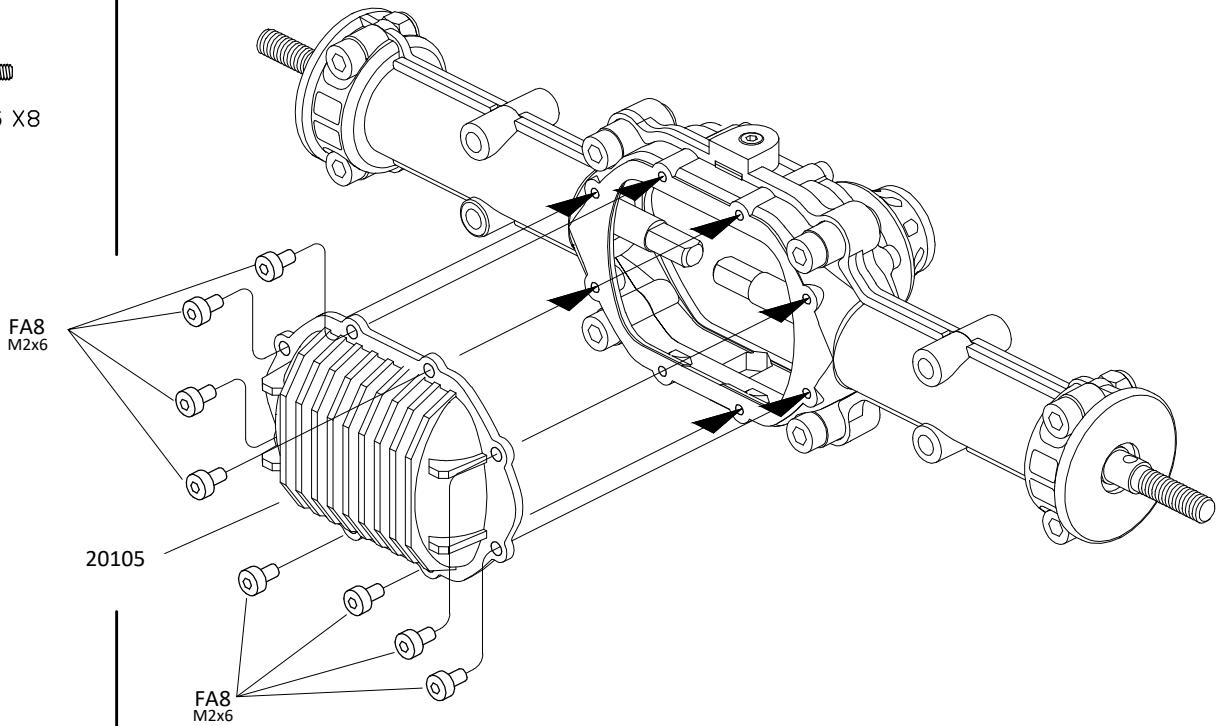
FA7 
M3x12 X16

FA19  
ø5xø10x4 X4



20

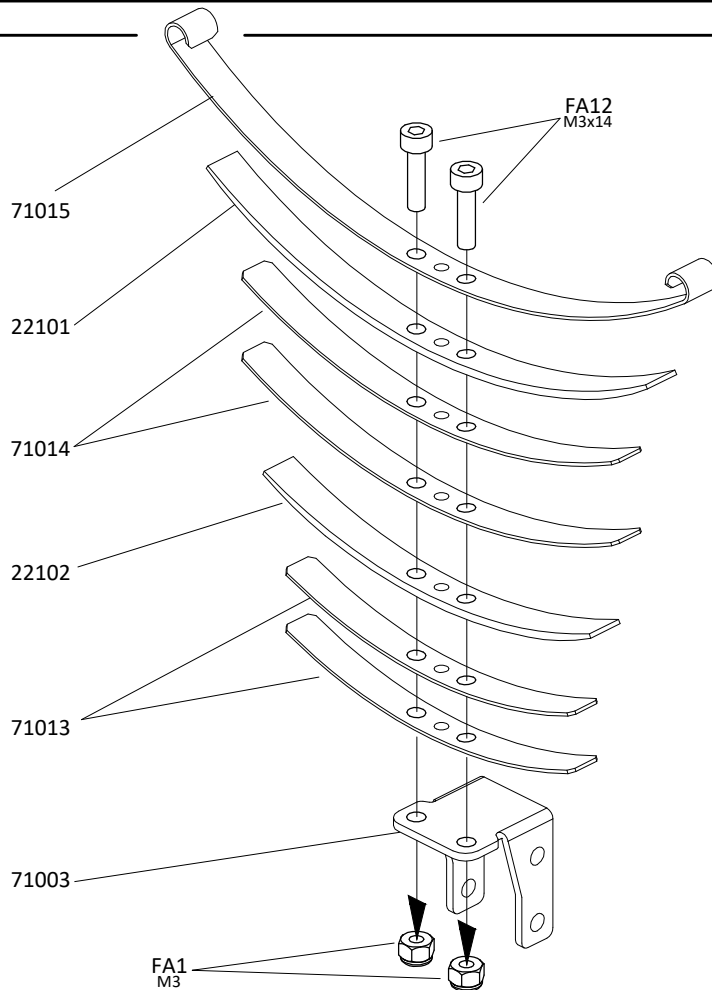
FA8
M2x6 X8



21

FA1
M3 X4


FA12
M3x14 X4

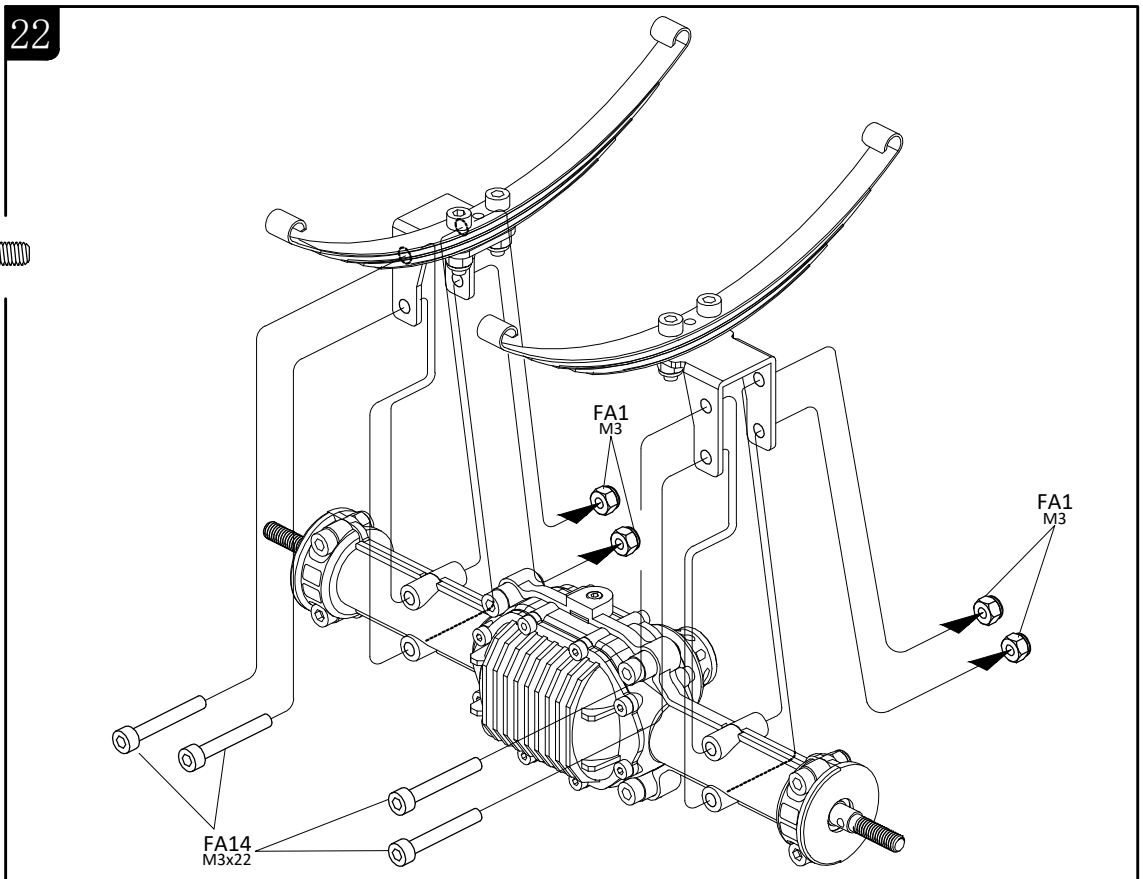


X2


22


FA1 
M3 X4


FA14 
M3x22 X4

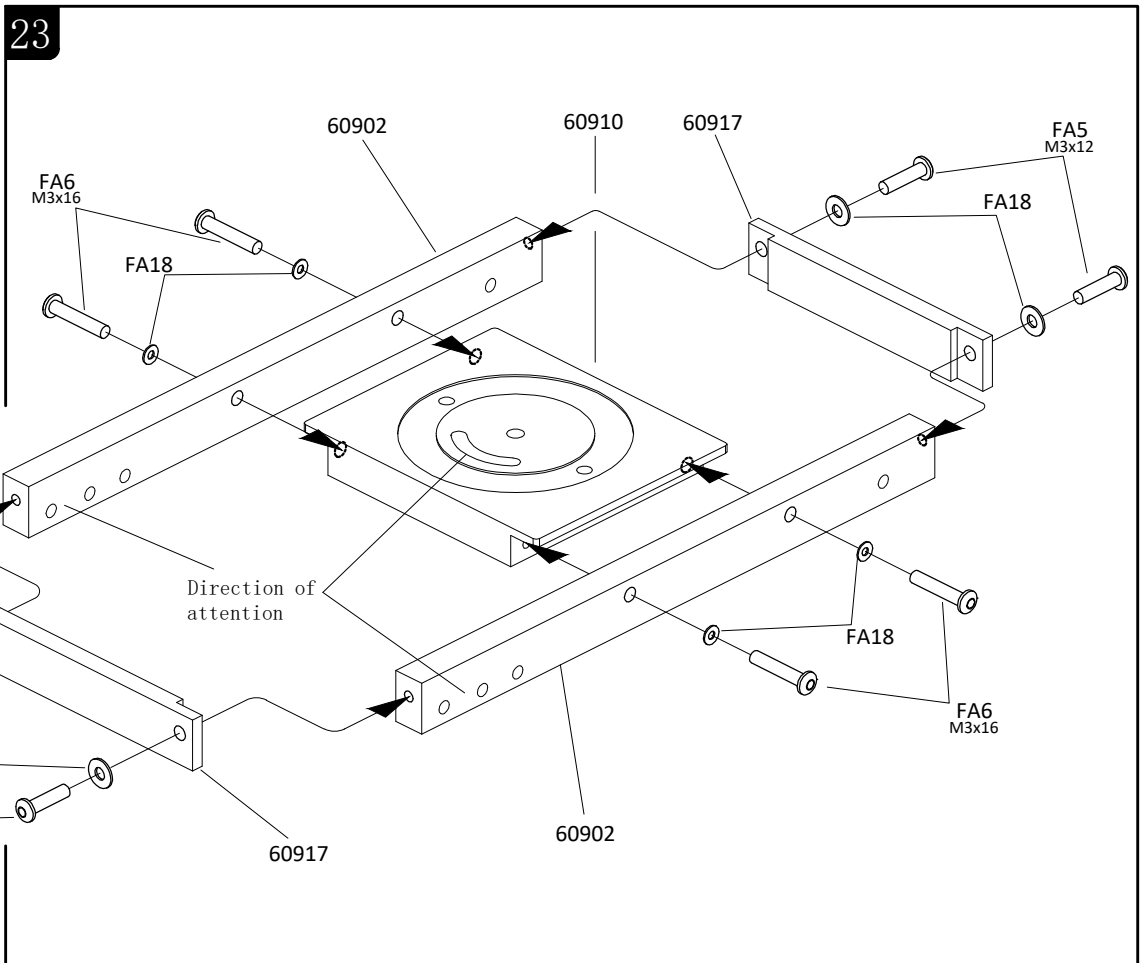


23

FA5 
M3x12 X4


FA6 
M3x16 X4

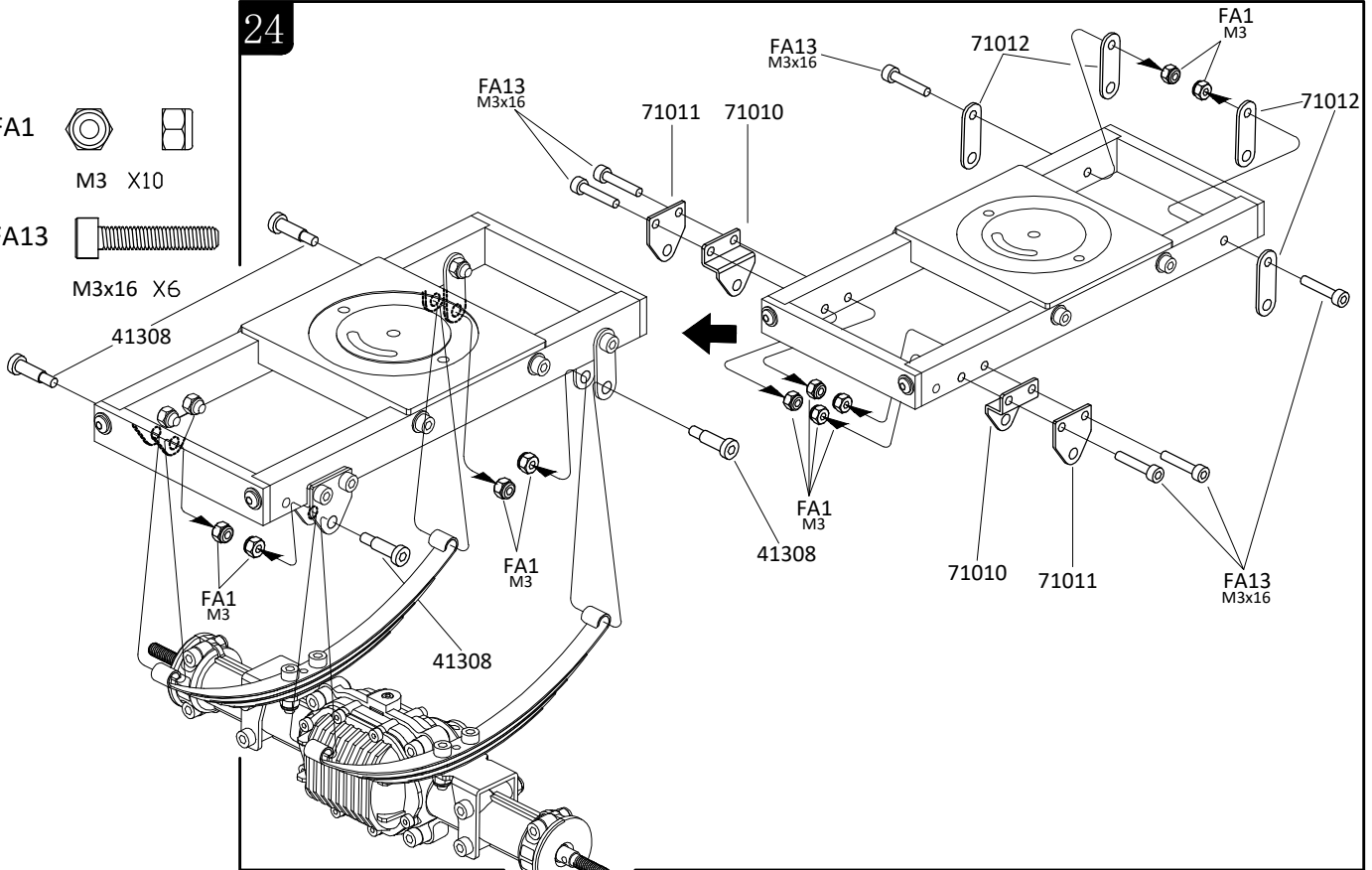
FA18 
ø3xø7x0.5 X8



24


FA1 
M3 X10


FA13 
M3x16 X6




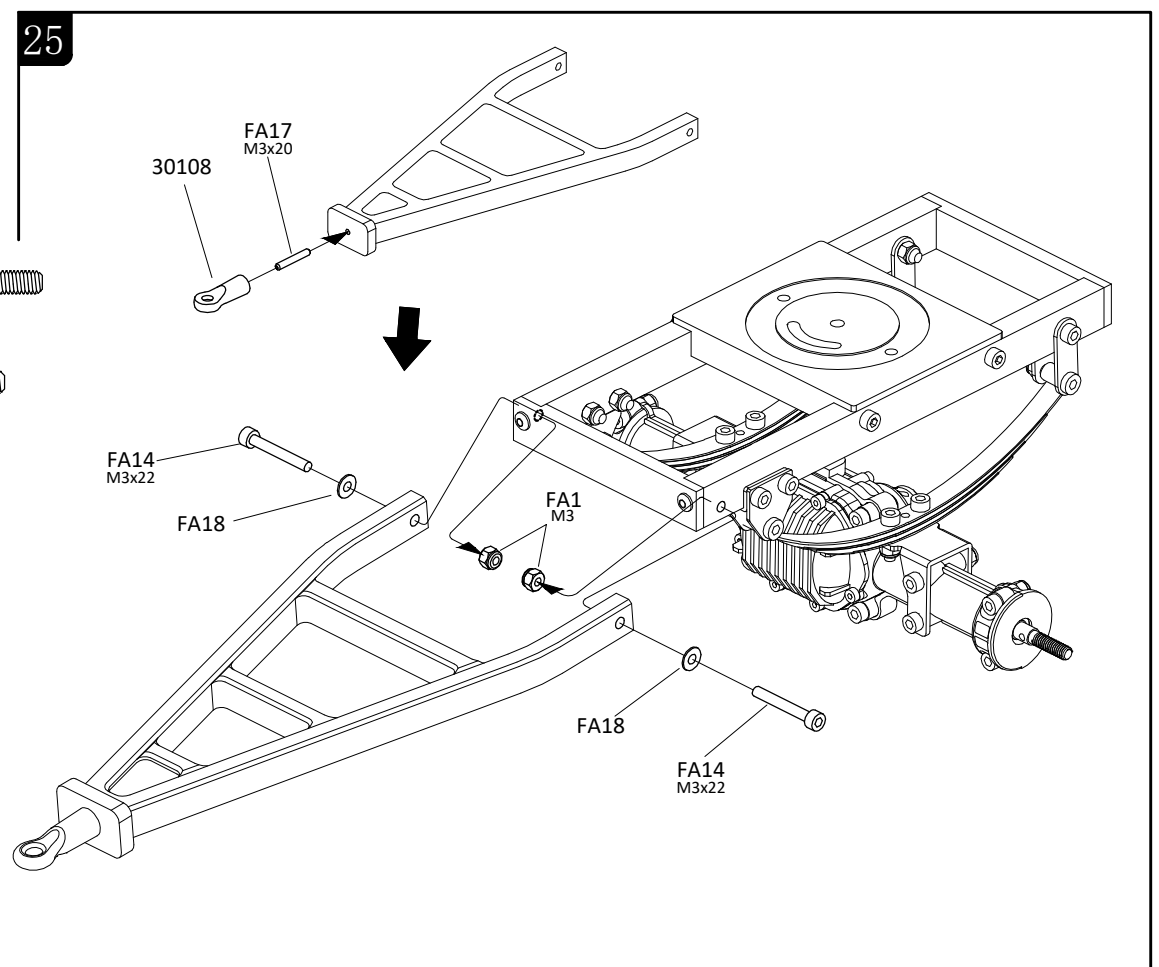
25

FA1 
M3 X2

FA14 
M3x22 X2

FA17 
M3x20 X1

FA18 
φ3xφ7x0.5 X2

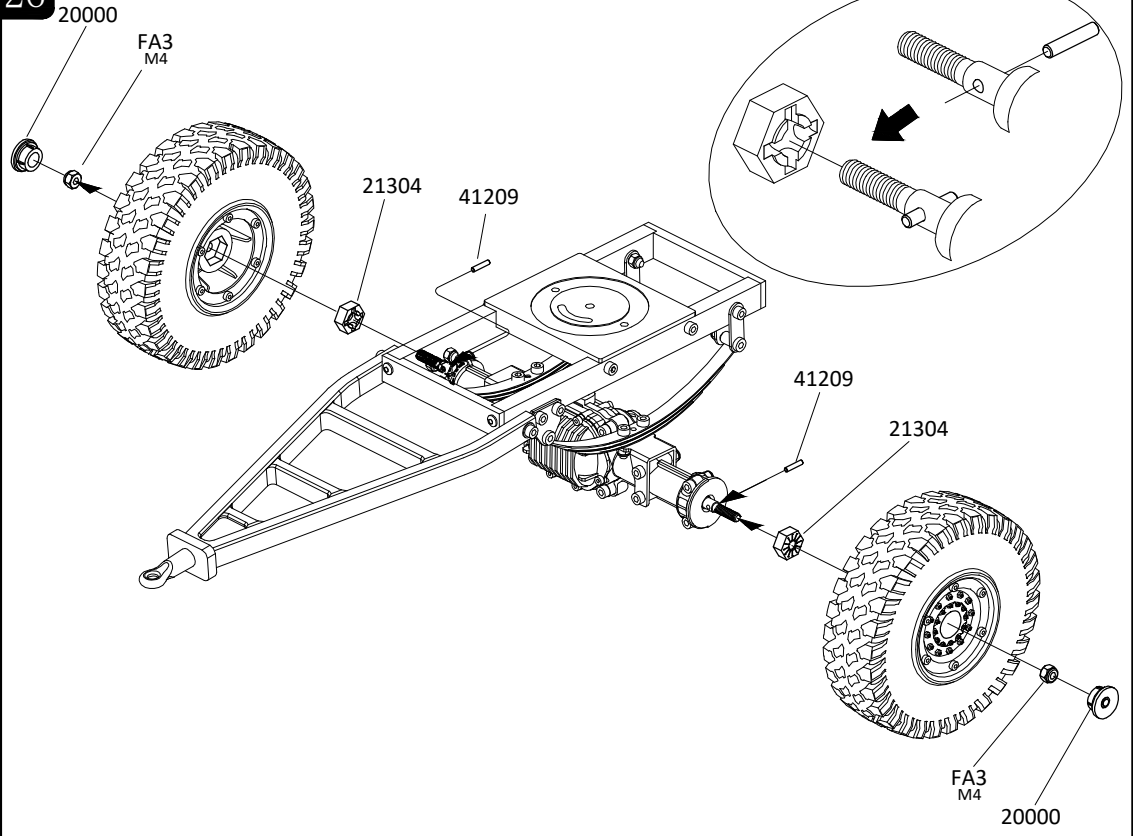


26

FA2



M4 X2



27

FA1



M3 X8

FA4



M3x6 X8

FA1

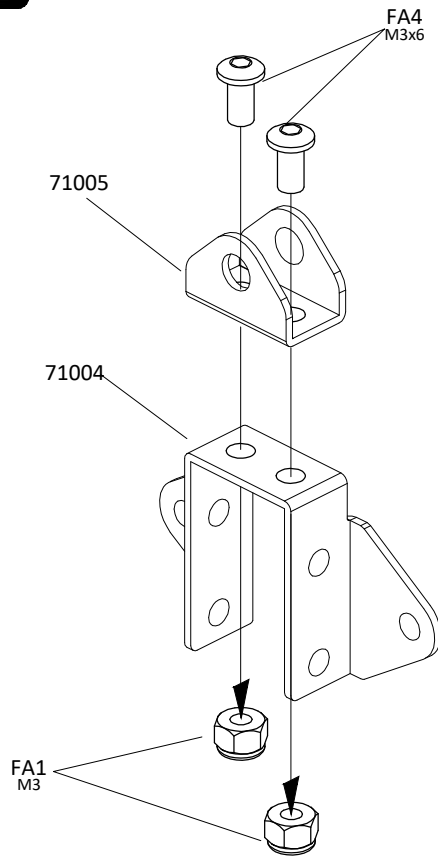


M3 X4

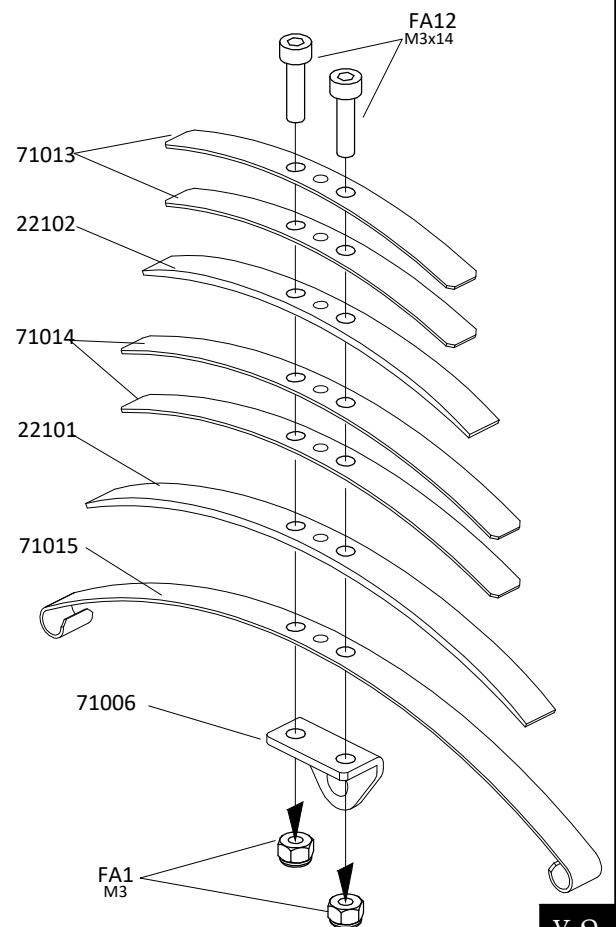
FA12



M3x14 X4



X4



X2

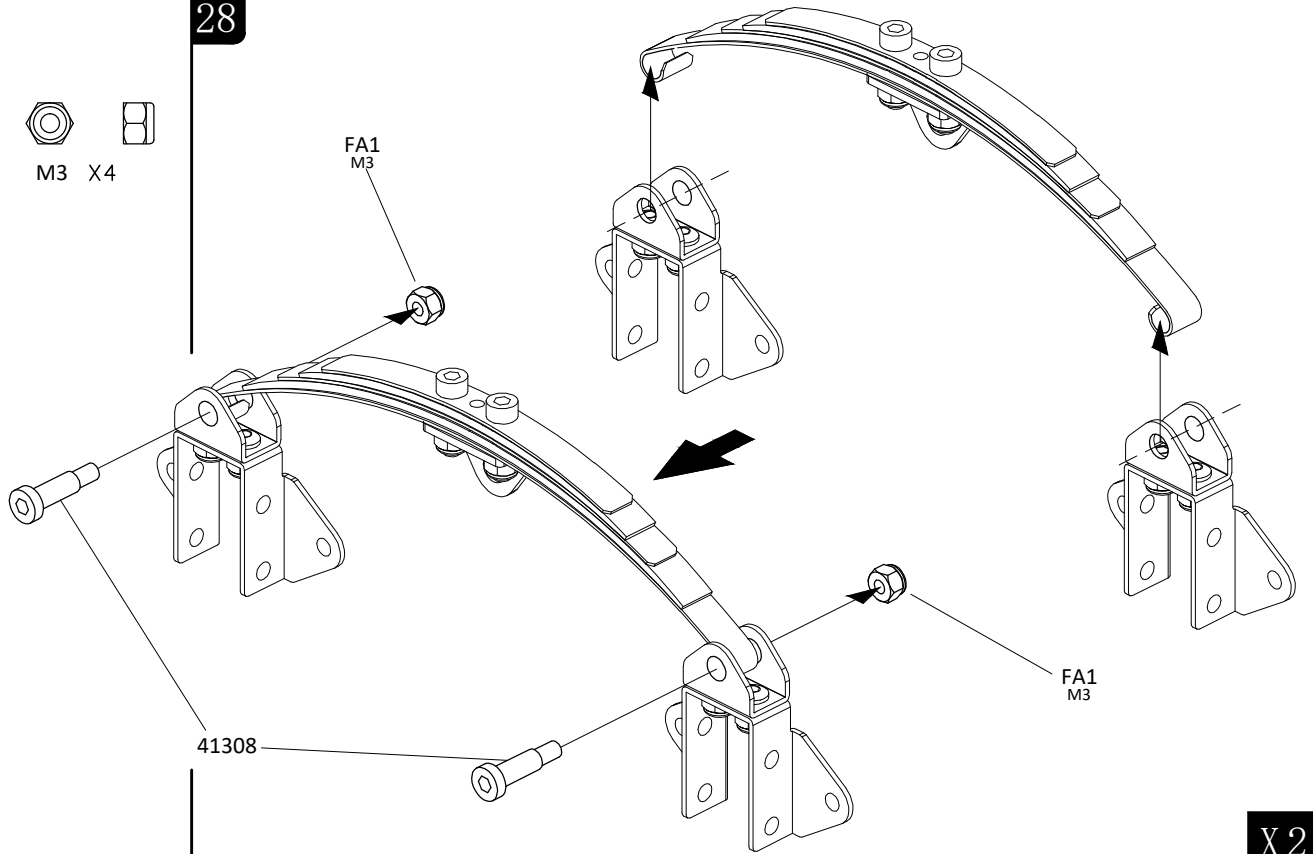
28

FA1



M3 X4

FA1
M3



41308

FA1
M3

X2

29

FA1



M3 X2

FA11

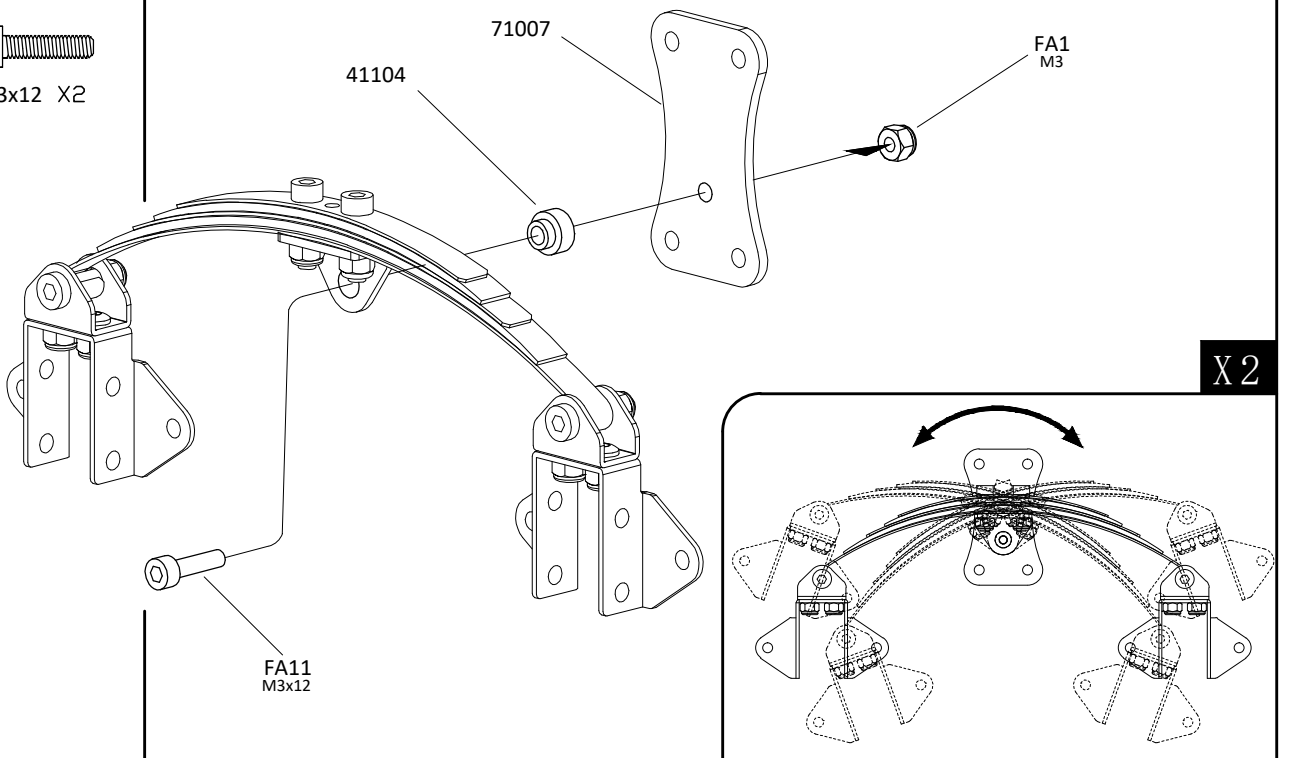


M3x12 X2

71007

41104

FA1
M3

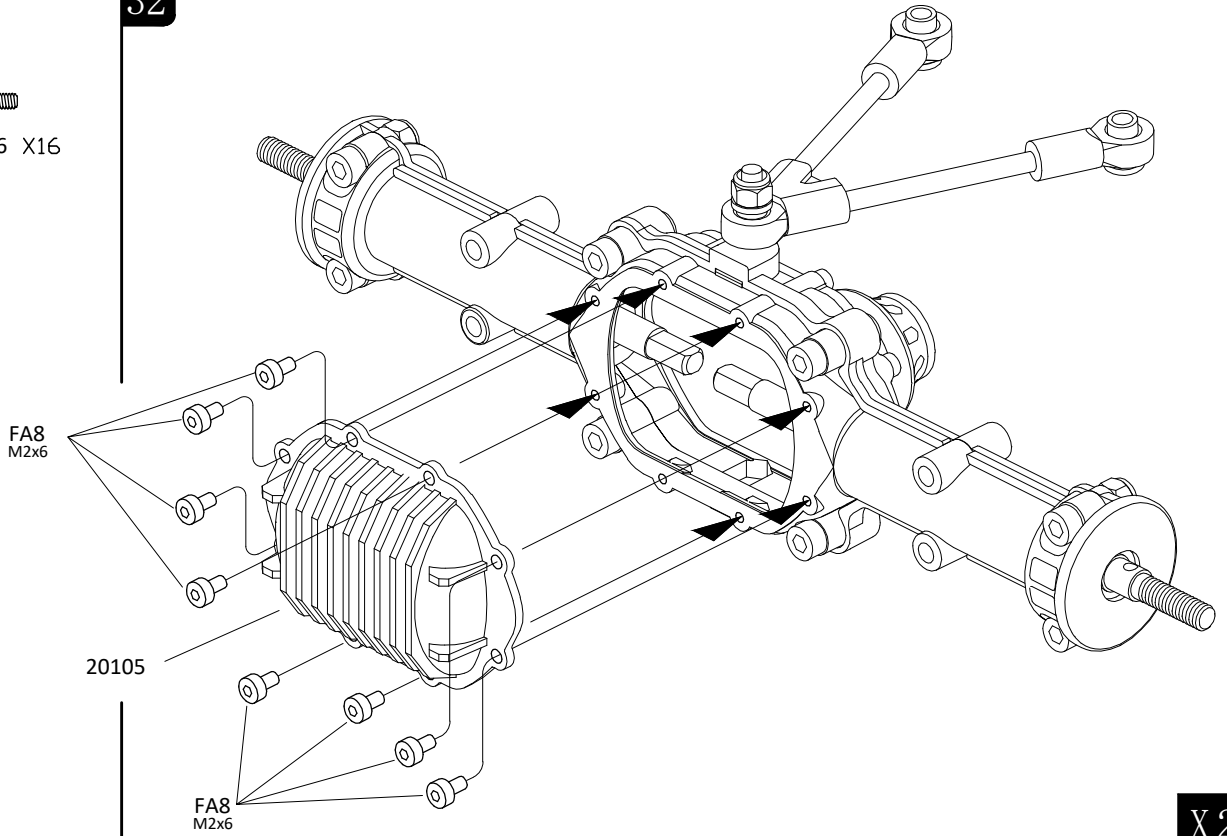


FA11
M3x12

X2

32

FA8
M2x6 X16

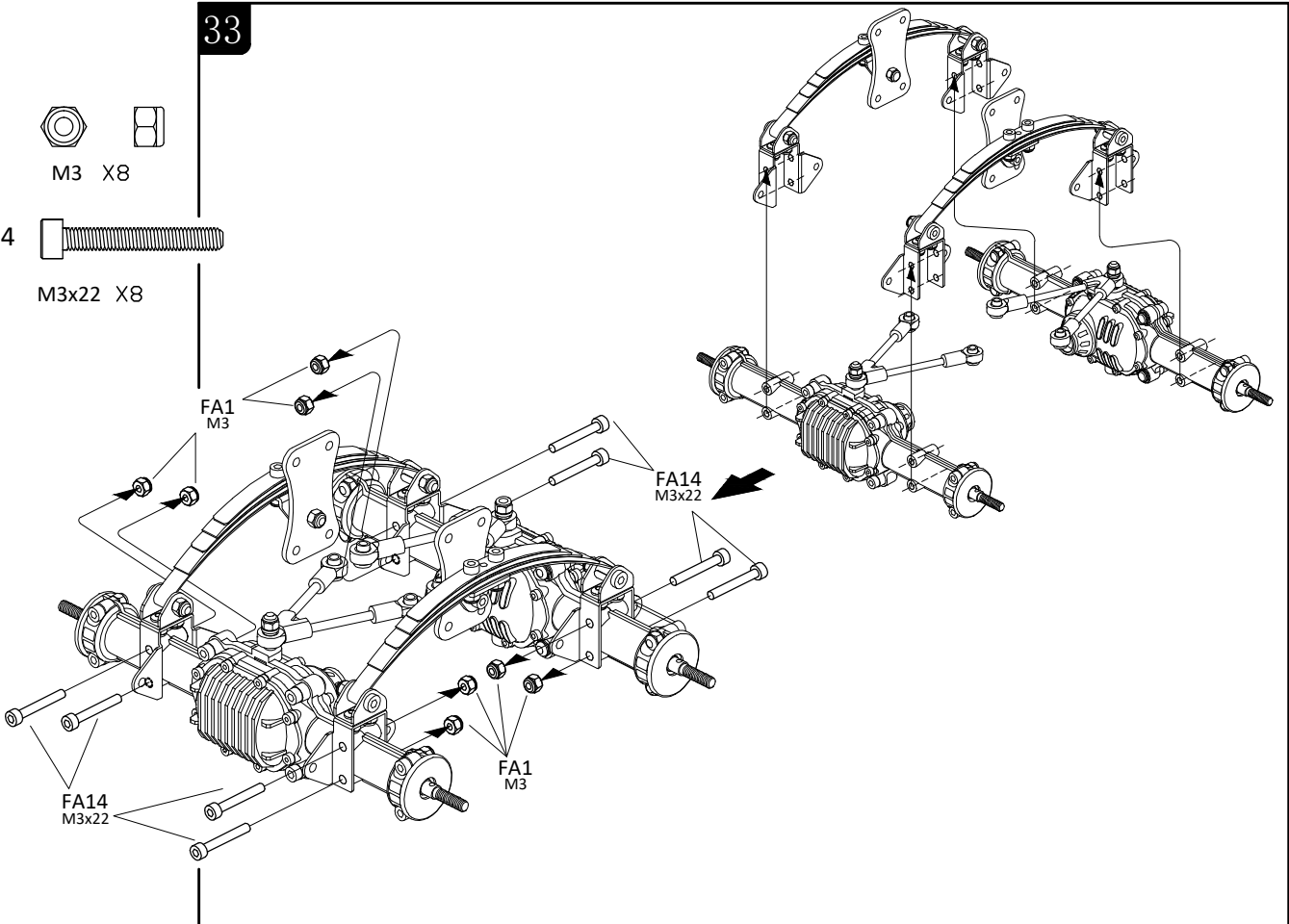


X2

33


FA1
M3 X8

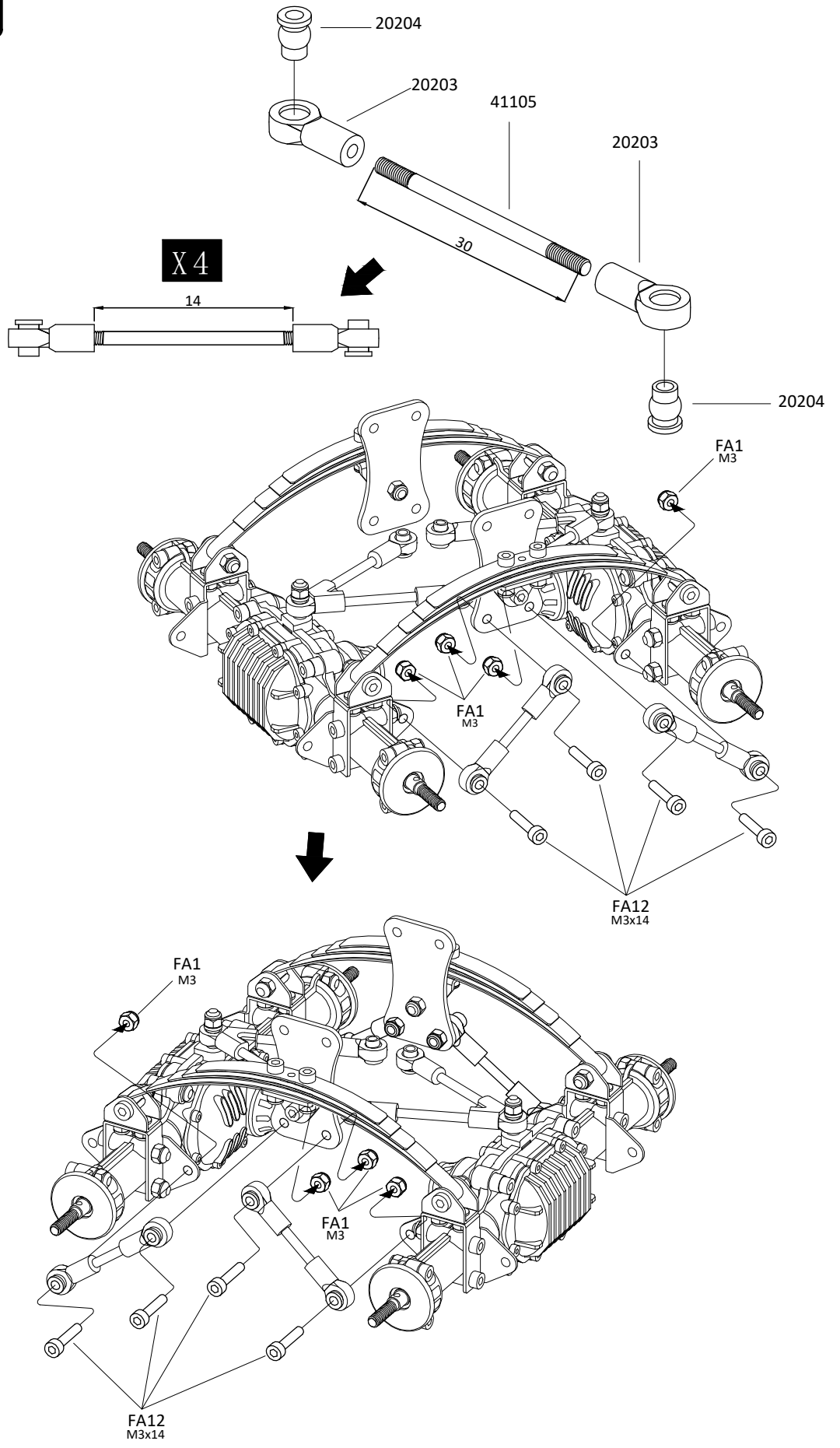
FA14
M3x22 X8



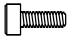



34

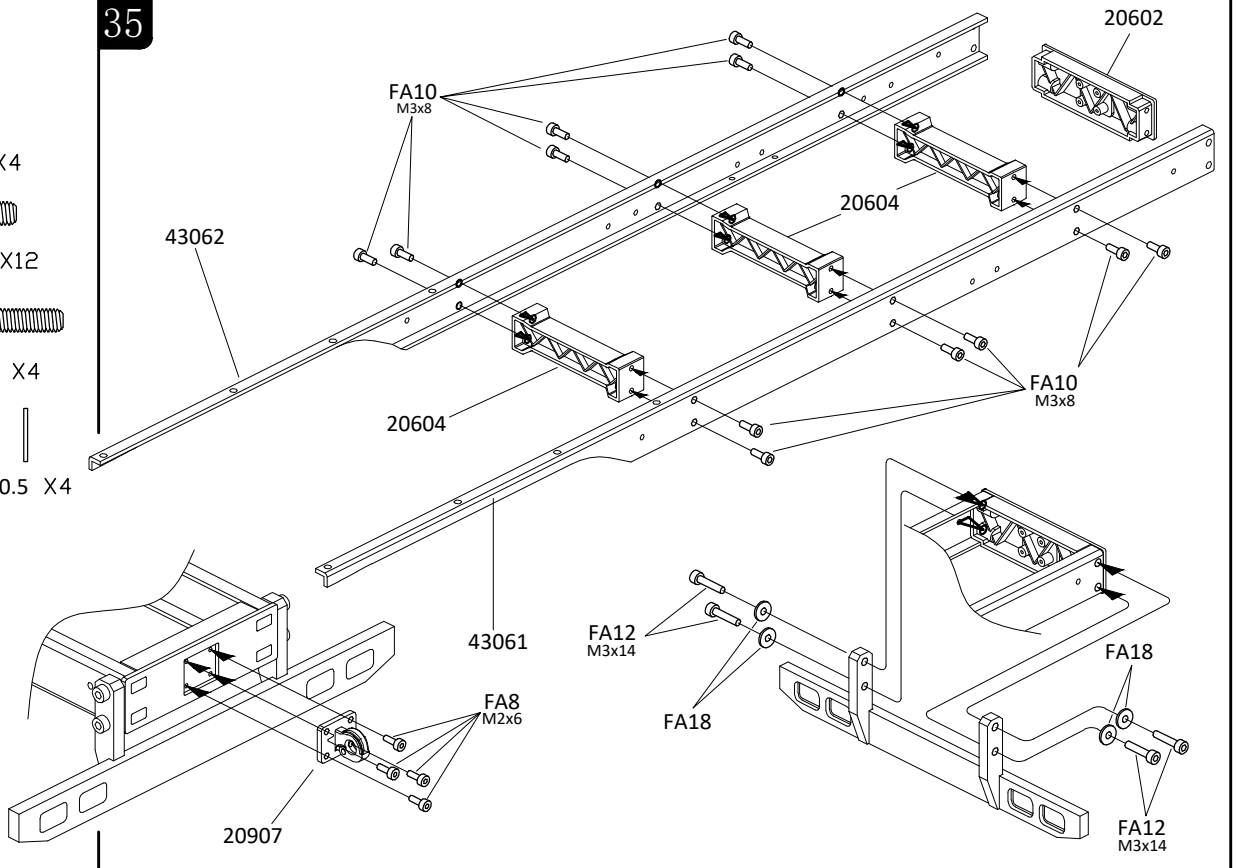
FA1 
M3 X8

FA12 
M3x14 X8





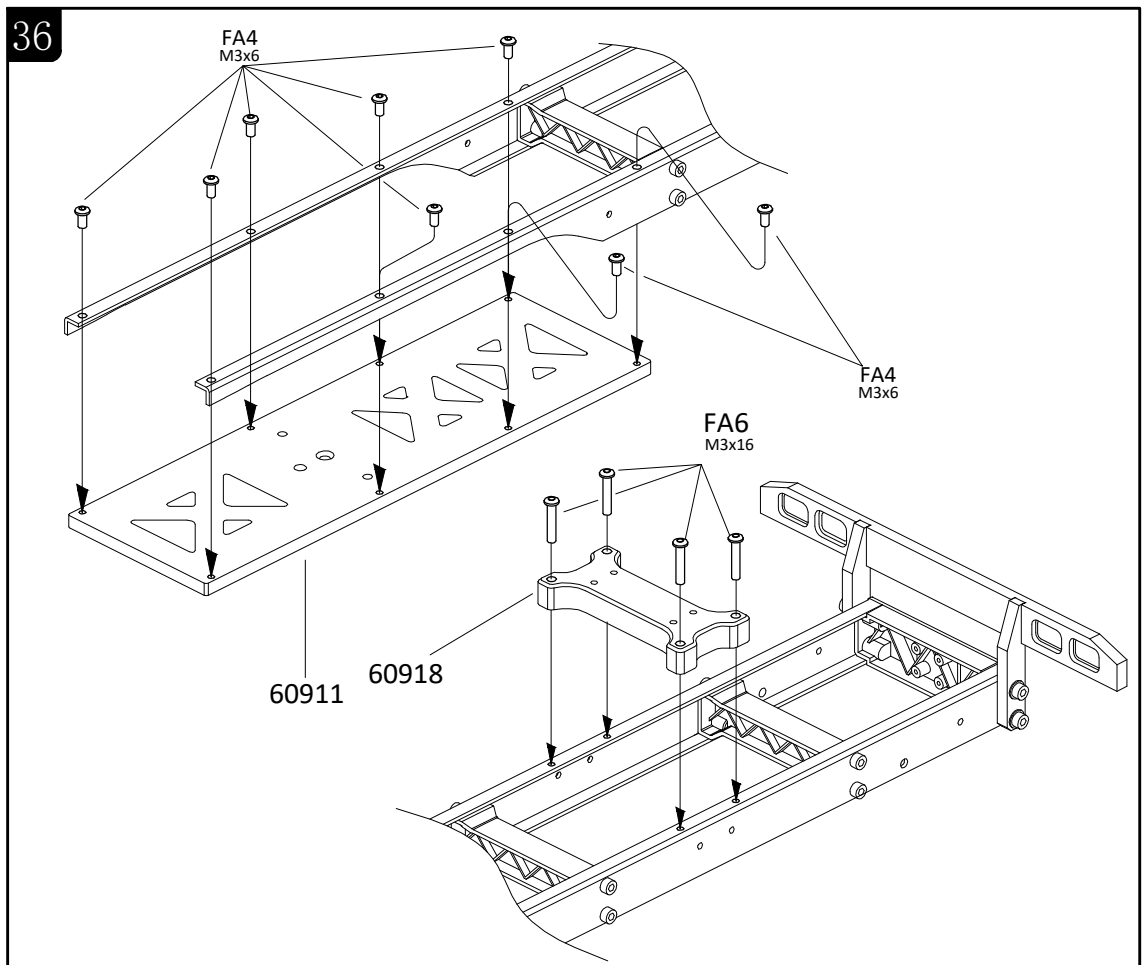
35

- FA8  M2x6 X4
- FA10  M3x8 X12
- FA12  M3x14 X4
- FA18  $\phi 3 \times \phi 7 \times 0.5$ X4



36

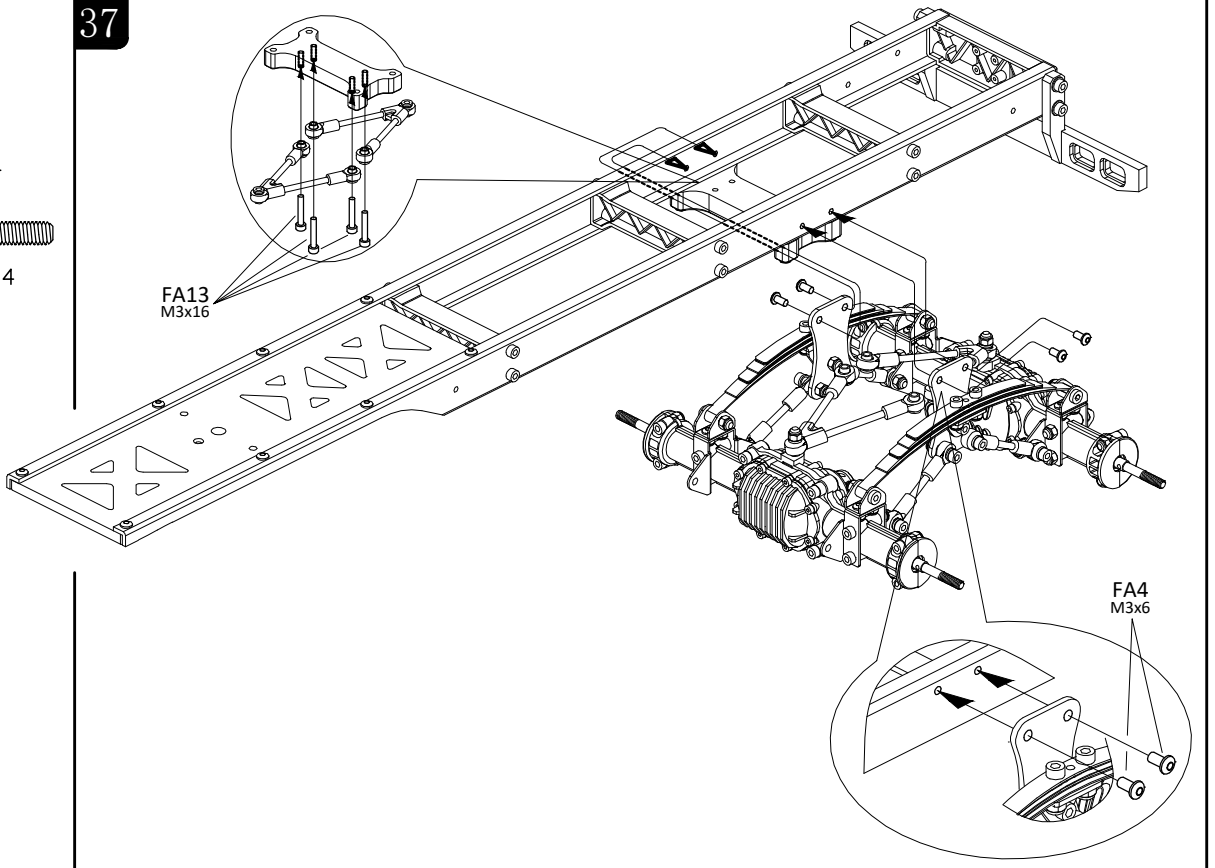
- FA4  M3x6 X8
-
- FA6  M3x16 X4



37

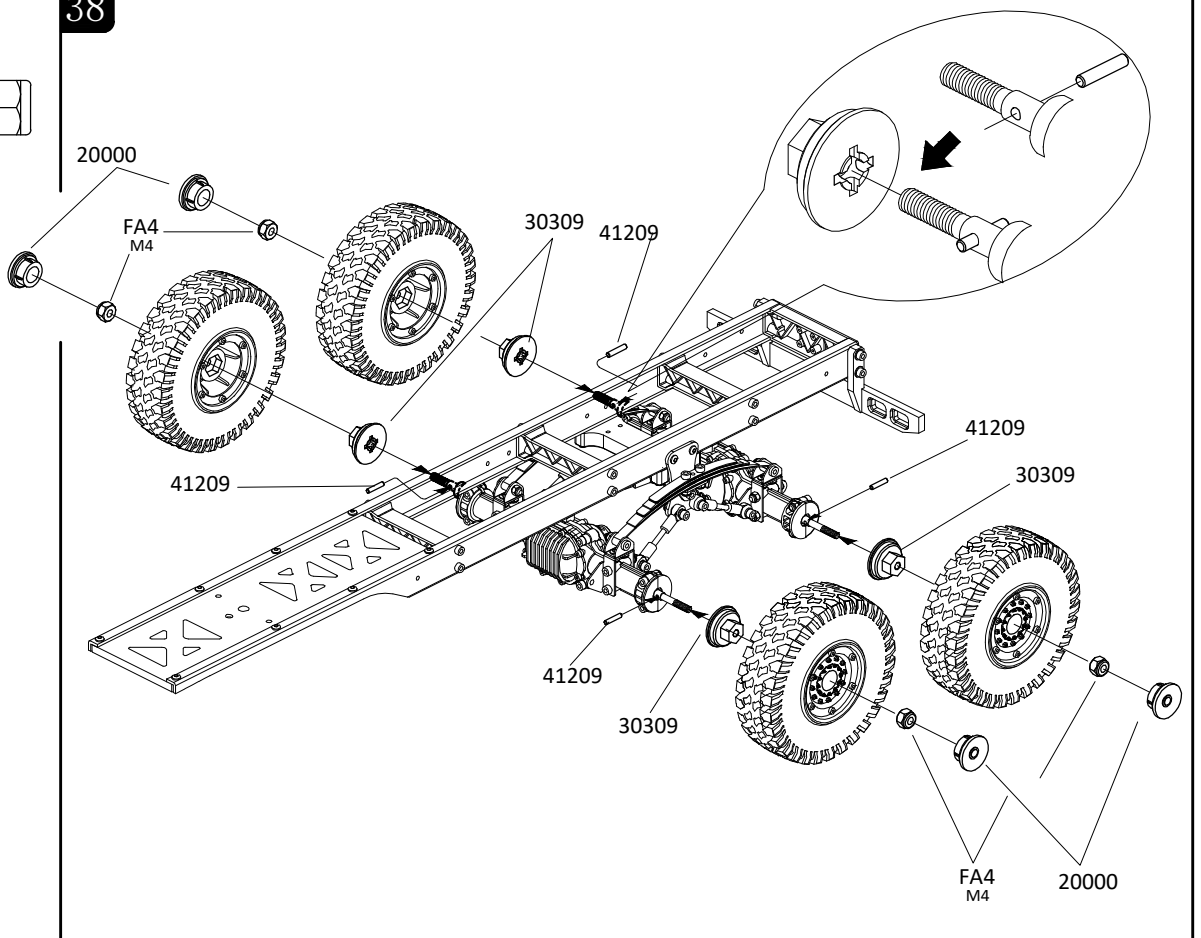
FA4
M3x6 X4

FA13
M3x16 X4

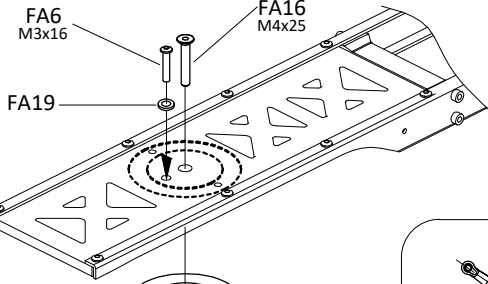
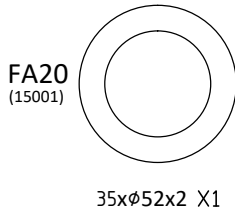
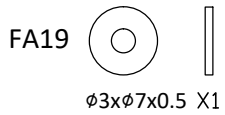
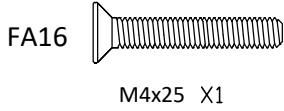
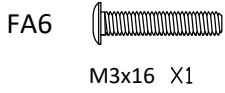


38

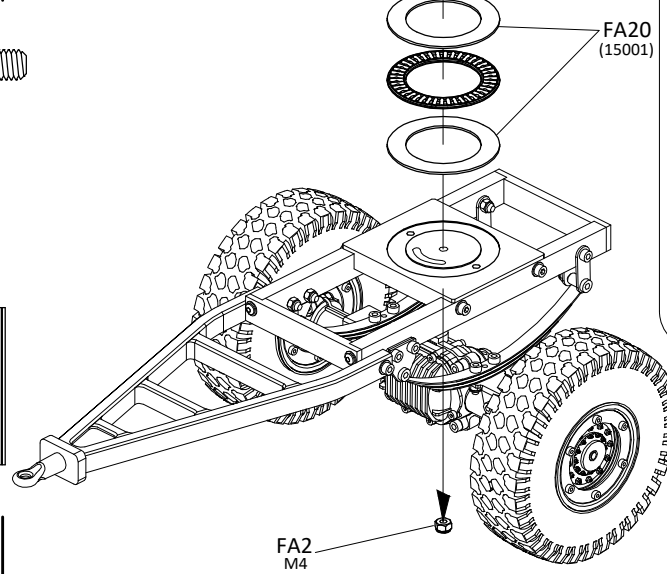
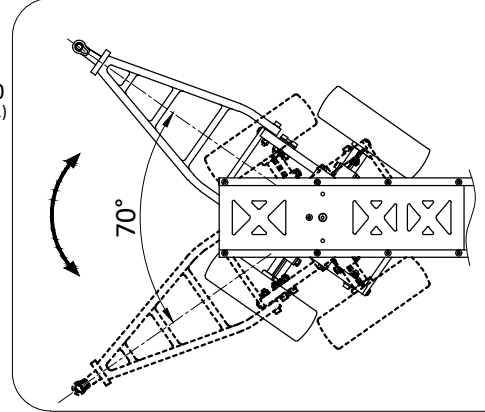
FA2
M4 X4



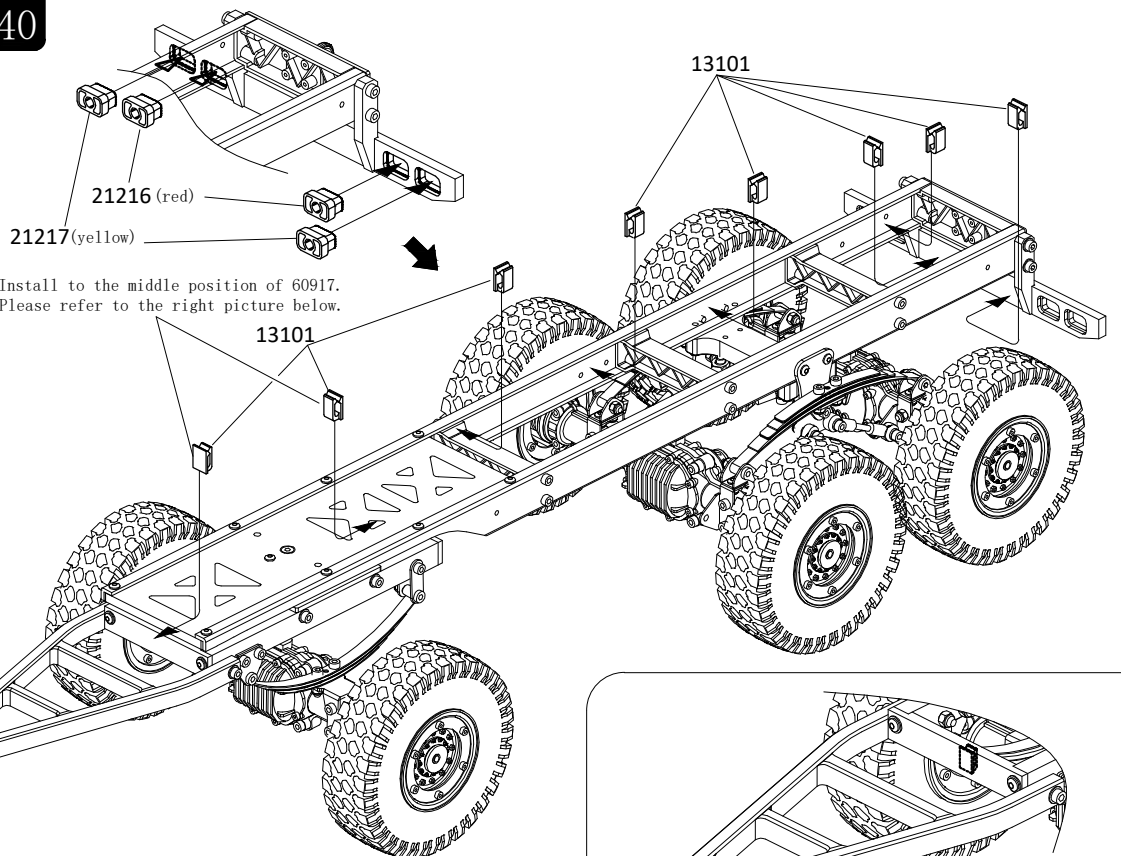
39



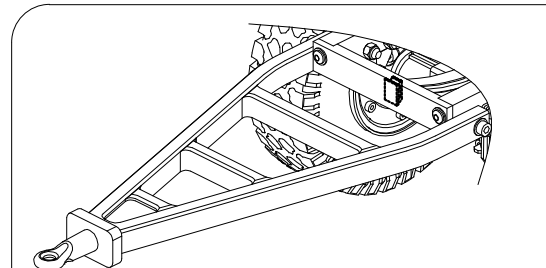
Note: Firstly, the bearing flakes are installed on the lower fixed disk (60910) of the sleeve and the upper fixed disk (60911) of the bearing respectively, and then connected with the M4x20 countersunk head screw.



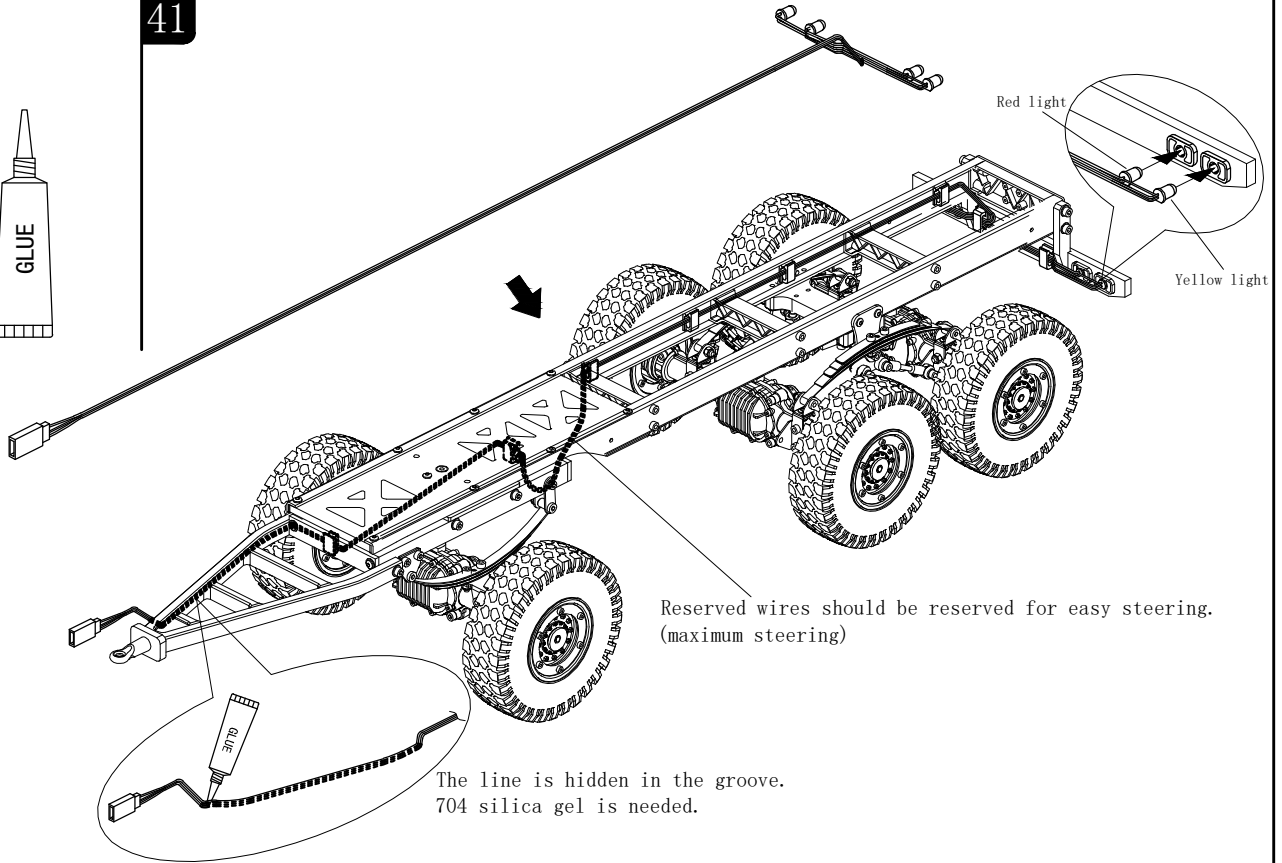
40




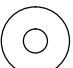

Install to the middle position of 60917. Please refer to the right picture below.

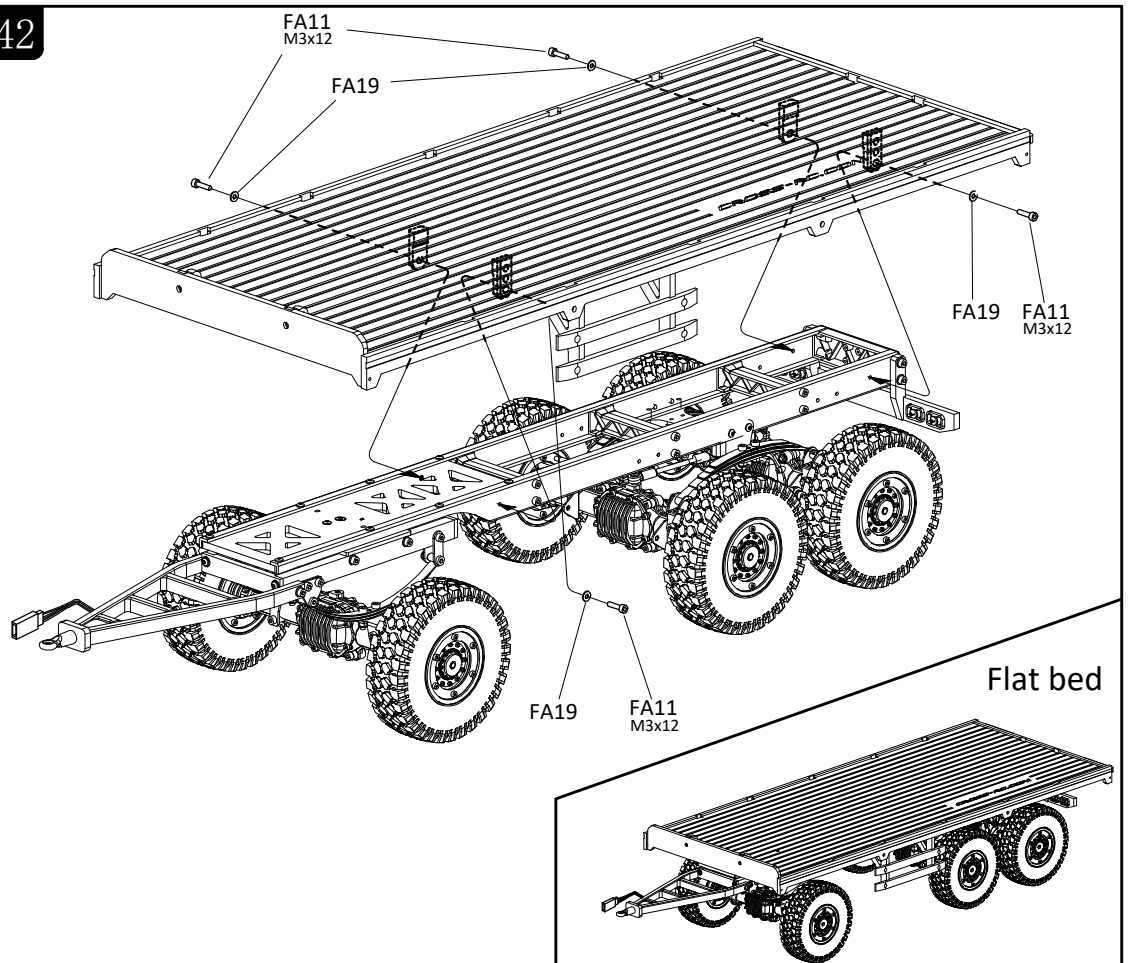


41

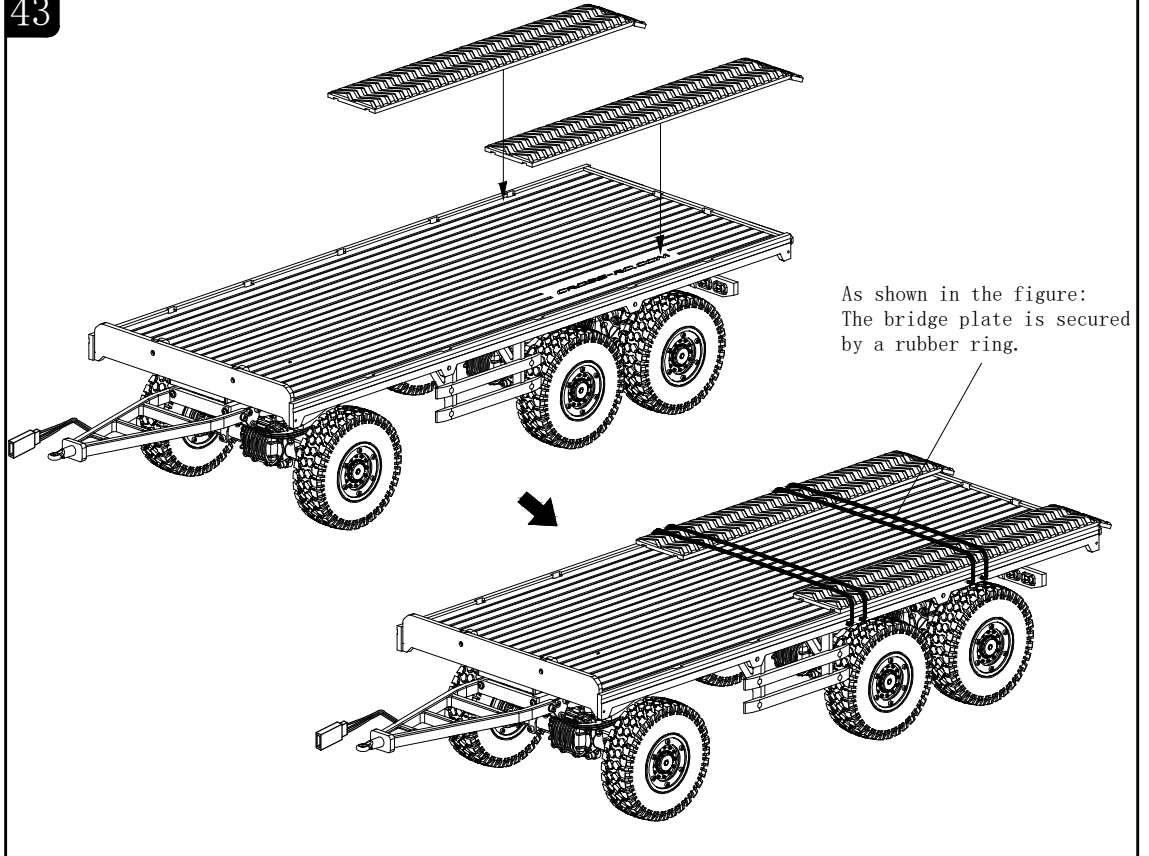


42

- FA11  M3x12 X4
- FA19   $\phi 3 \times \phi 7 \times 0.5$ X4



43



44

FA5
M3x12 X2

