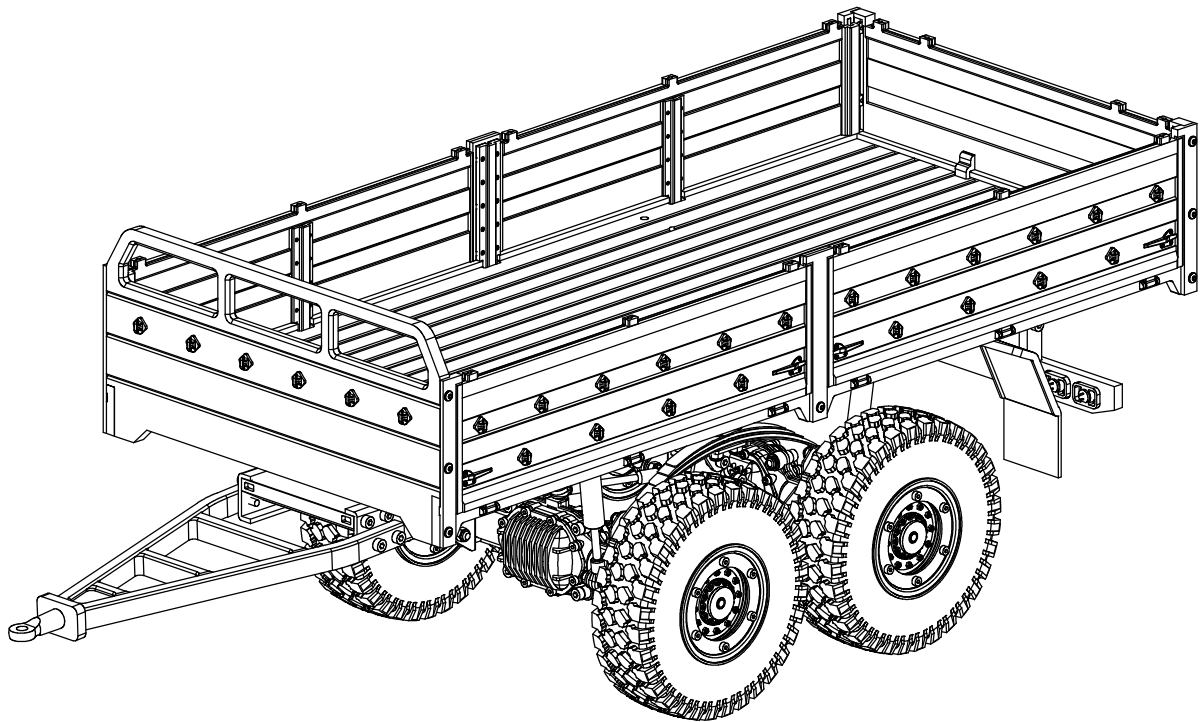


# T003

(Installation instruction)



## CAUTIONS



To prevent serious personal injury and/or property damage, operate all remotely controlled models in a responsible manner as outlined herein.

### ◆ Safety Precautions

- 1.1 Choose a right place to operate your RC model.
- 1.2 Do not operate your RC model on the street or highway. It can cause a serious damage or a serious accident.
- 1.3 Never operate your RC model near people or animals.
- 1.4 Do not operate RC model in public places like hospital and residential areas.
- 1.5 Never operate RC model indoors. There is a higher possibility of fire or damage.
- 1.6 Keep the parts out of reach of children, small parts can cause choking and vinyl bags can suffocate.
- 1.7 Do not use with children younger than 14 years.

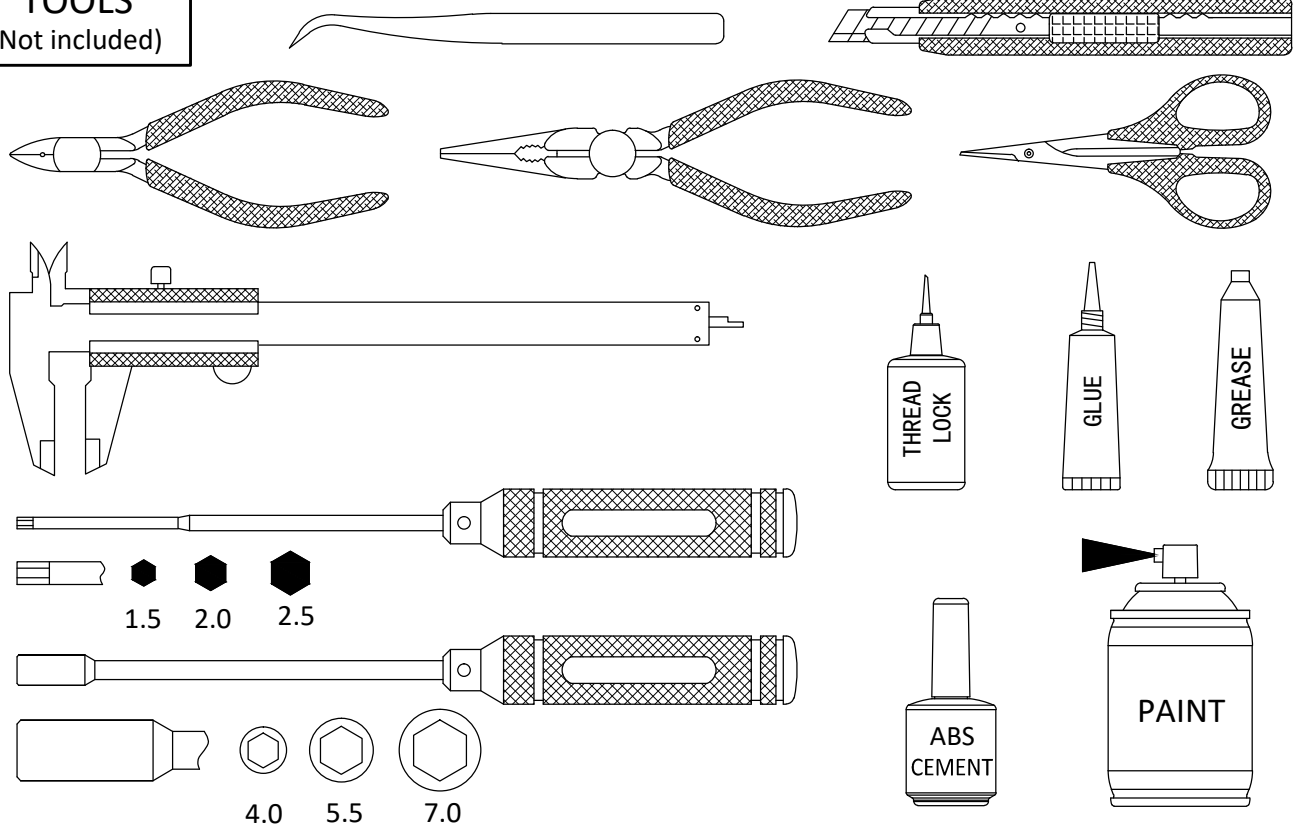
### ◆ Inspect your RC model before operation

- 2.1 Make sure that all screws and nuts are properly tightened. It is also a good idea to use removable thread lock wherever metal screws go into metal, especially for engine mounts and the engine pilot shaft.
- 2.2 Always use fresh batteries for your transmitter and for your receiver to avoid losing control of the model.
- 2.3 Always test the brakes and throttle before starting your engine to avoid losing control of the model.
- 2.4 Always turn on the transmitter first, and then turn on the receiver.

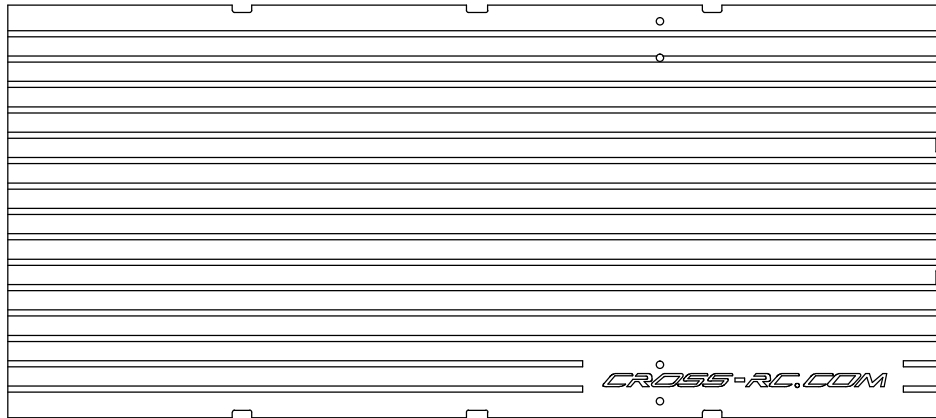
### ◆ After operation of your RC model

- 3.1 Turn off receiver first, then turn off transmitter, this will prevent runaways.
- 3.2 Be careful when handling batteries, they will be hot after running.
- 3.3 Replace any batteries that have been dented or have frayed wires, short circuits can cause fire.

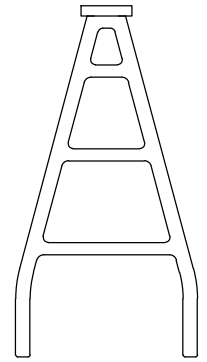
## TOOLS (Not included)



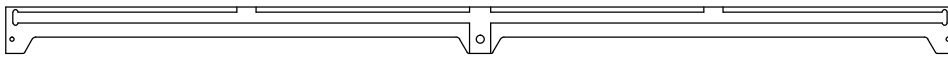
Plank



64101 X1



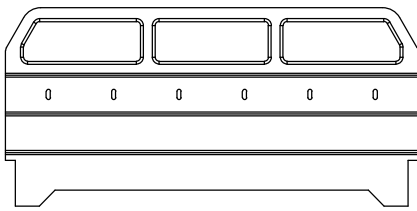
60801/60802 X1



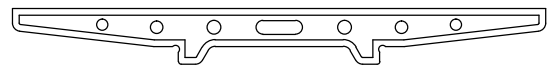
63211 X2



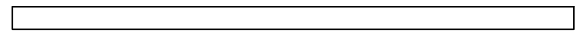
60810 X4



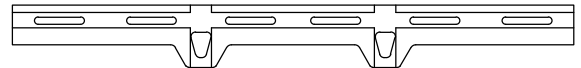
63202 X1



64102 X3



61610 X1



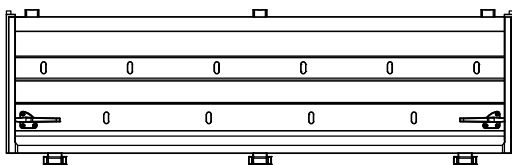
61609 X1



28902 X4



60809 X1



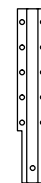
28901 X4



28706 X2



28707 X2



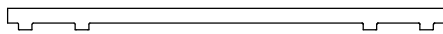
28905 X2



28906 X2

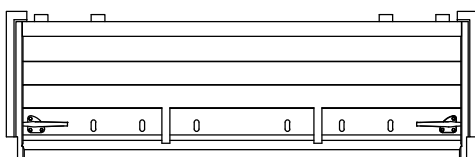


28907 X4

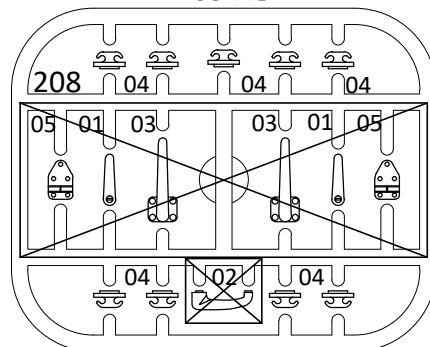


28601 X1

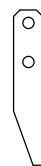
208 X6



28606 X1

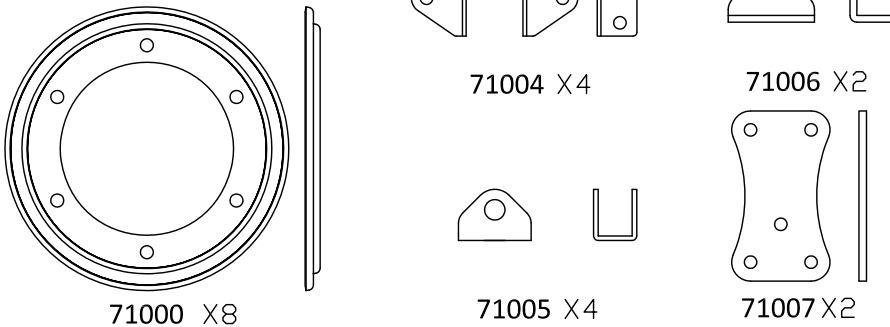
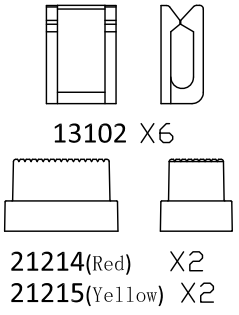
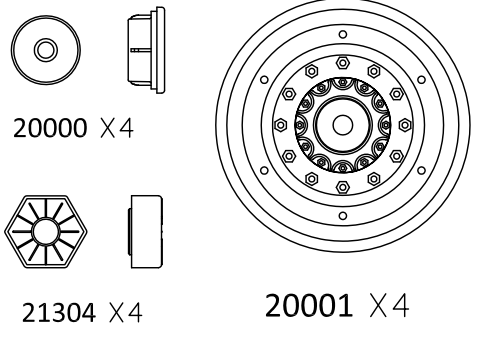
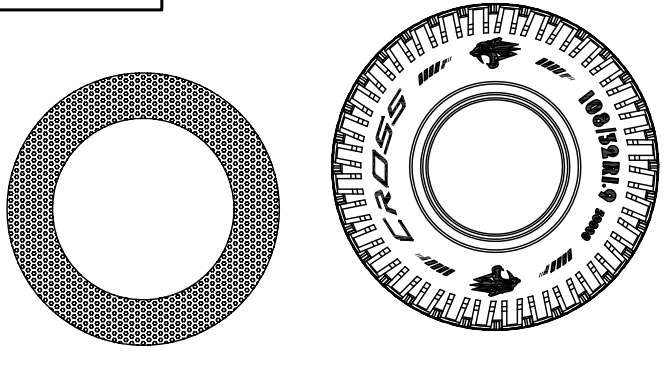
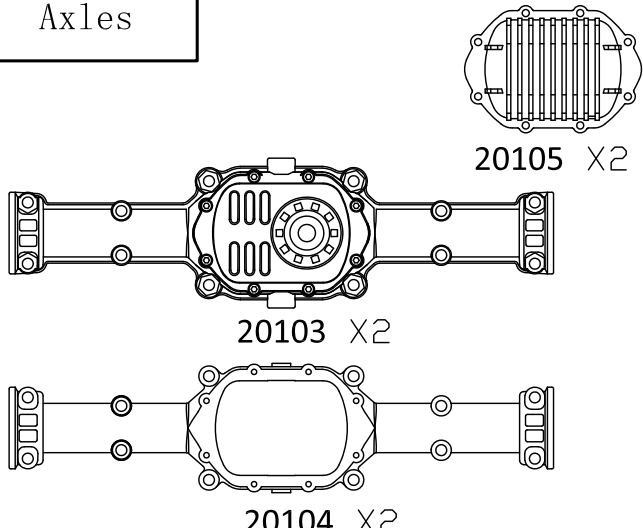
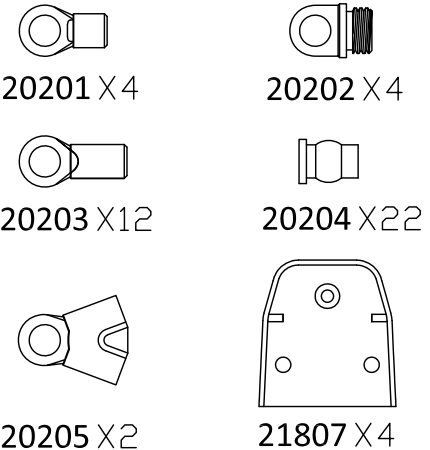
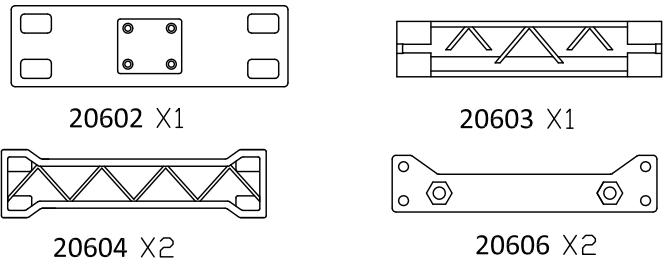
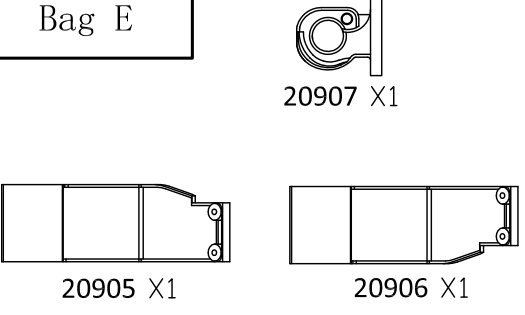


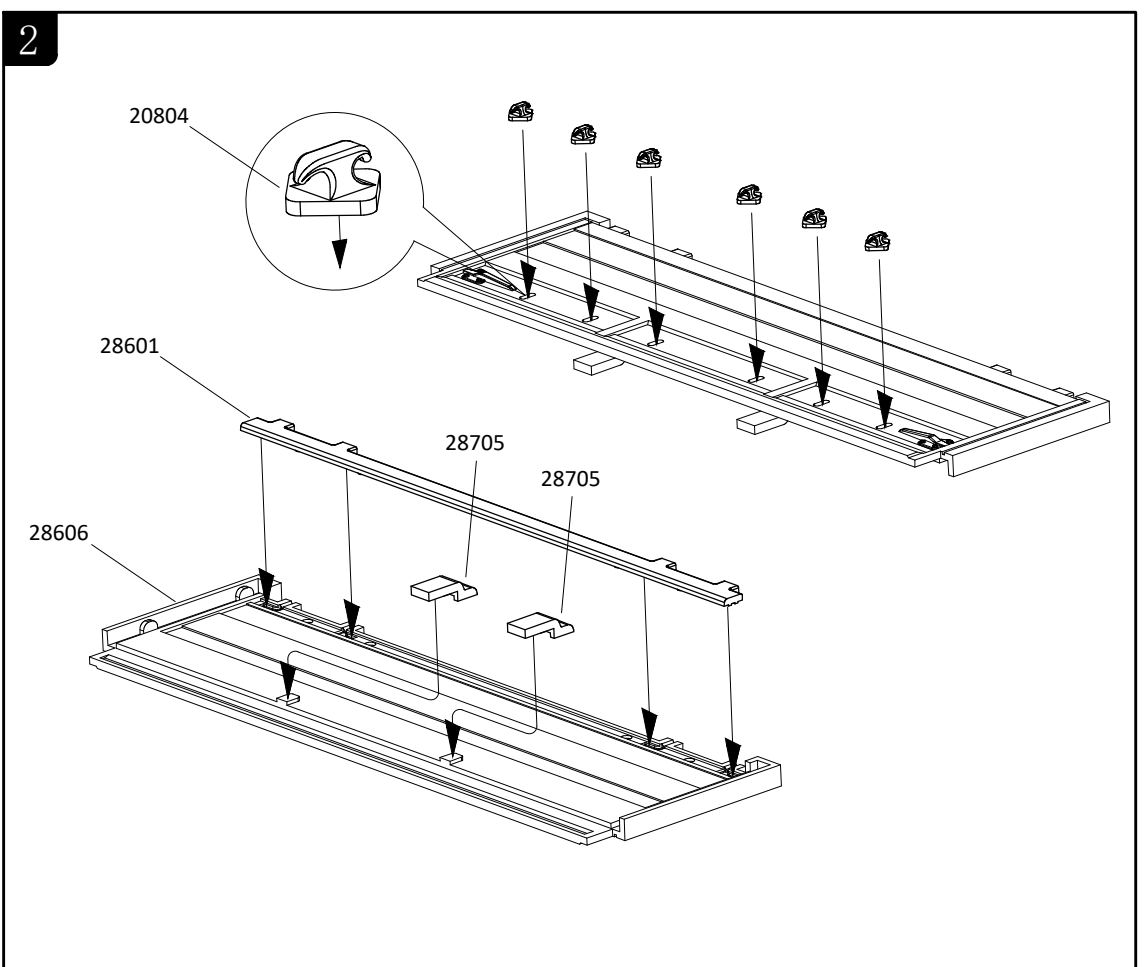
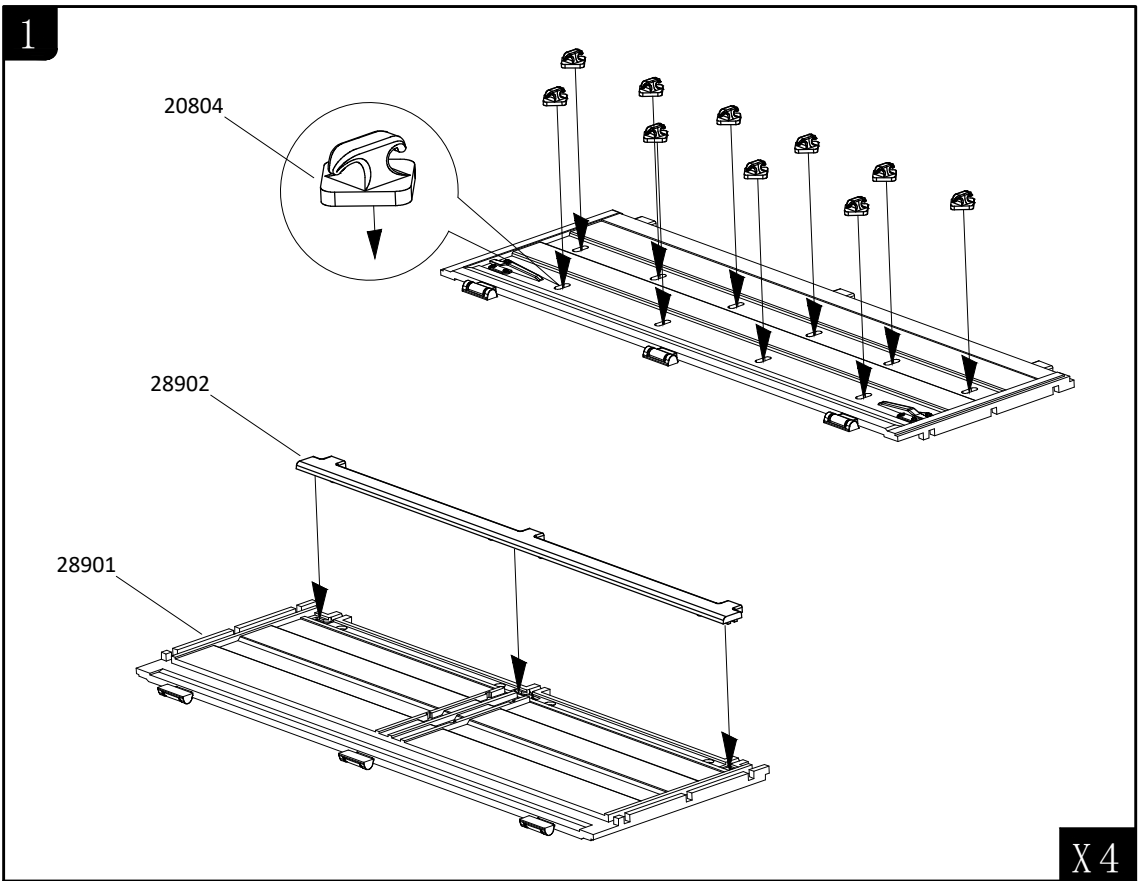
28705 X2



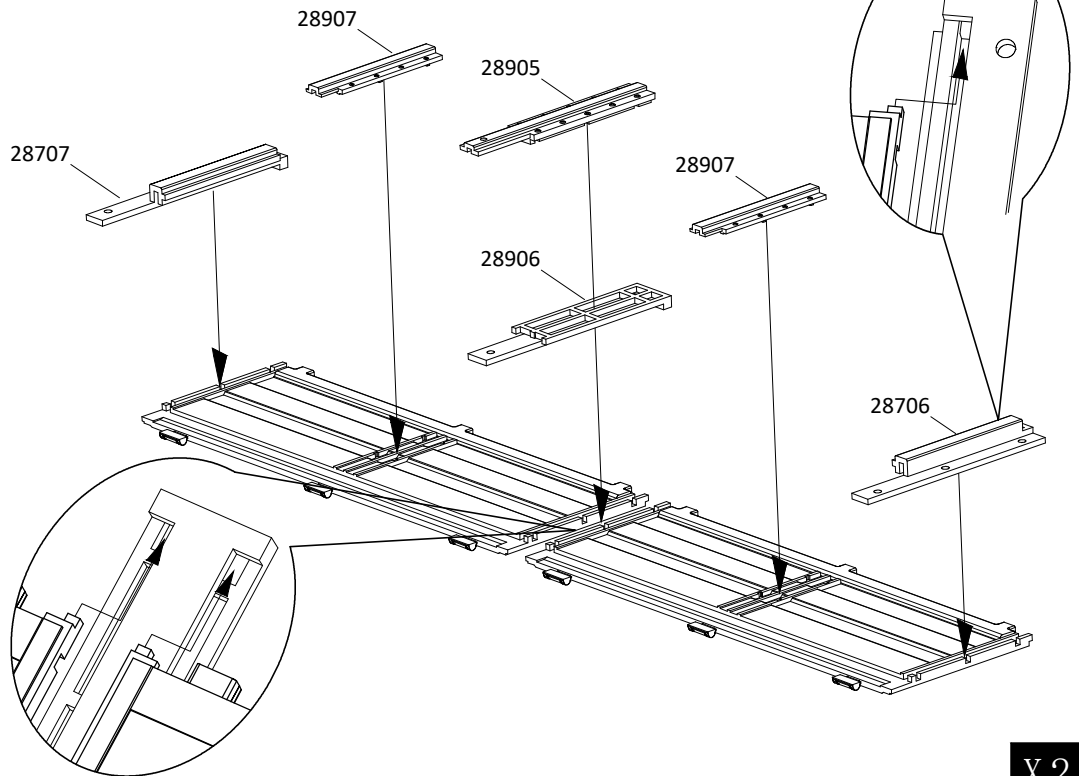
60813 X2



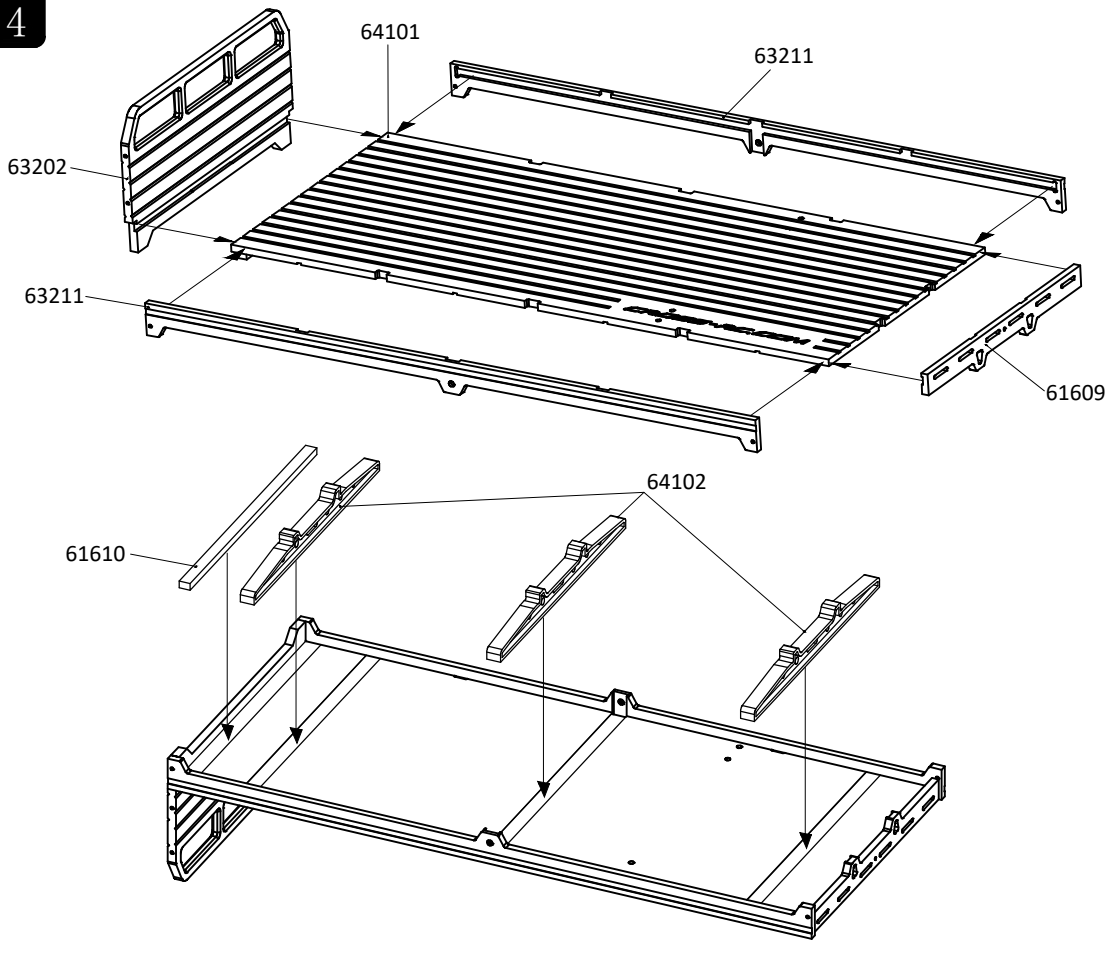
<p>Bag B</p>  <p>71000 X8</p> <p>71004 X4</p> <p>71005 X4</p> <p>71006 X2</p> <p>71007 X2</p>		<p>Bag C</p>  <p>13102 X6</p> <p>21214(Red) X2</p> <p>21215(Yellow) X2</p>
<p>Wheels</p>  <p>20000 X4</p> <p>20001 X4</p> <p>21304 X4</p>	<p>Tires</p>  <p>42302 X4</p> <p>50000 X4</p>	
<p>Axles</p>  <p>20103 X2</p> <p>20104 X2</p> <p>20105 X2</p>	<p>Suspension System</p>  <p>20201 X4</p> <p>20202 X4</p> <p>20203 X12</p> <p>20204 X22</p> <p>20205 X2</p> <p>21807 X4</p>	
<p>Bag D</p>  <p>20602 X1</p> <p>20603 X1</p> <p>20604 X2</p> <p>20606 X2</p>	<p>Bag E</p>  <p>20907 X1</p> <p>20905 X1</p> <p>20906 X1</p>	

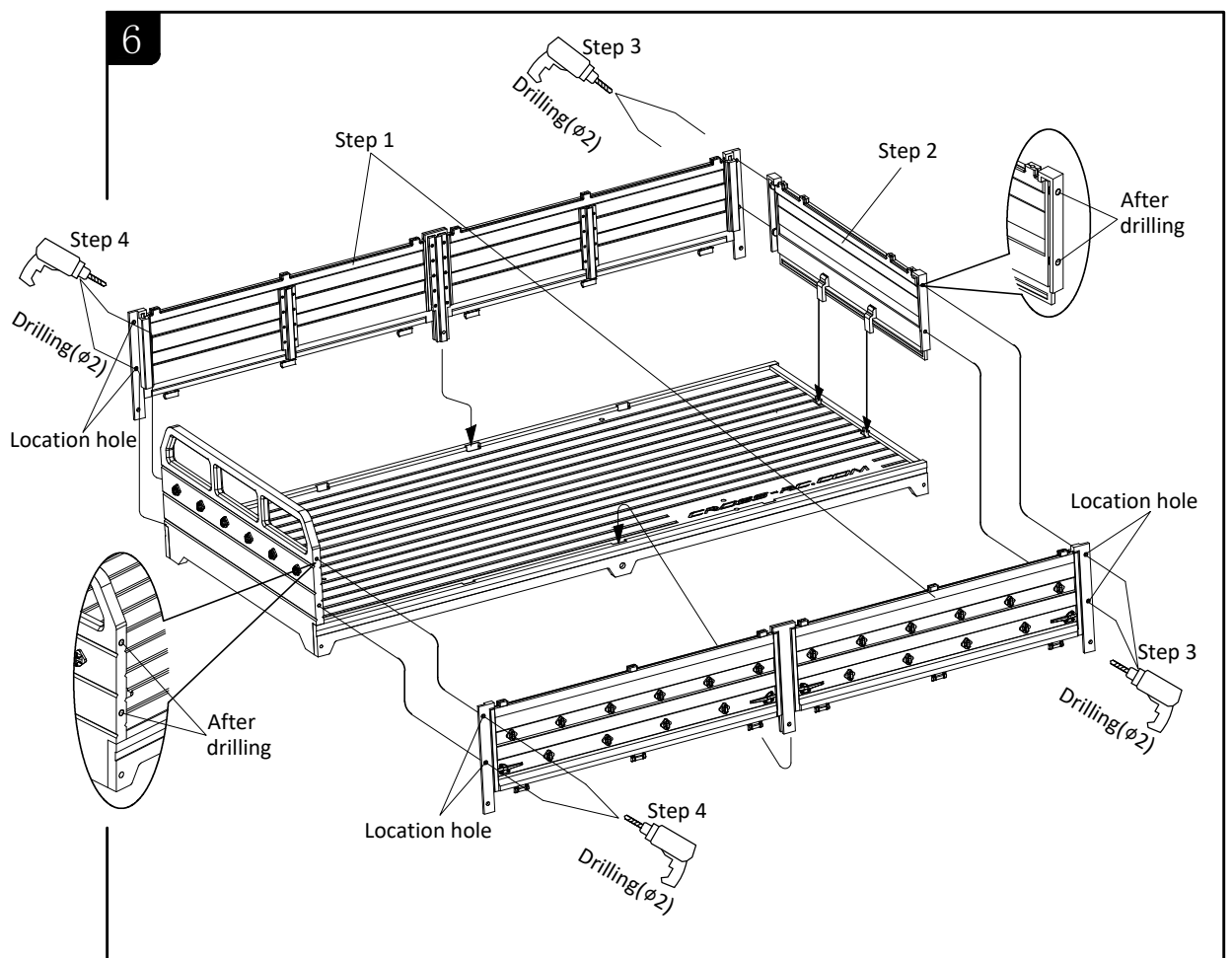
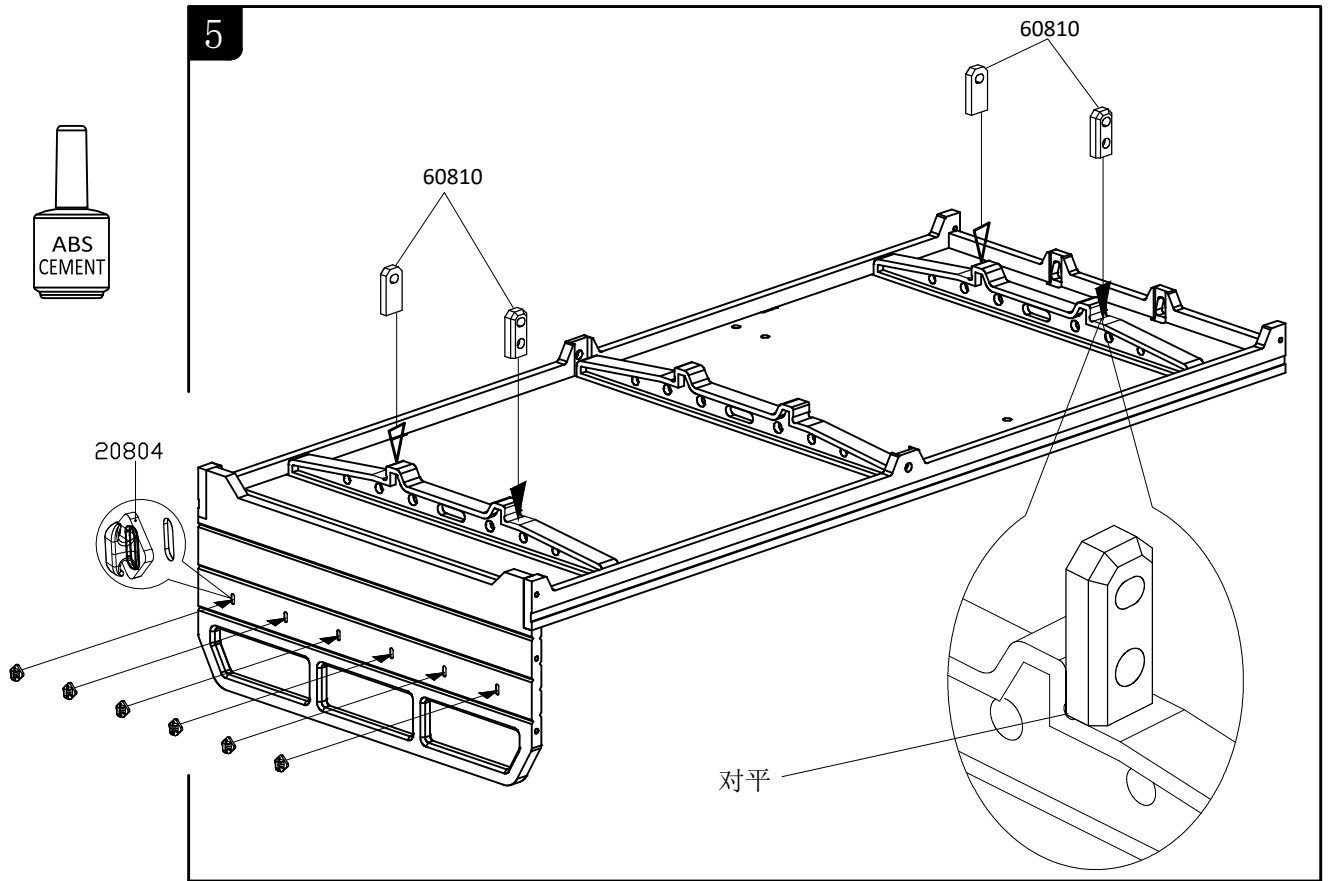


3

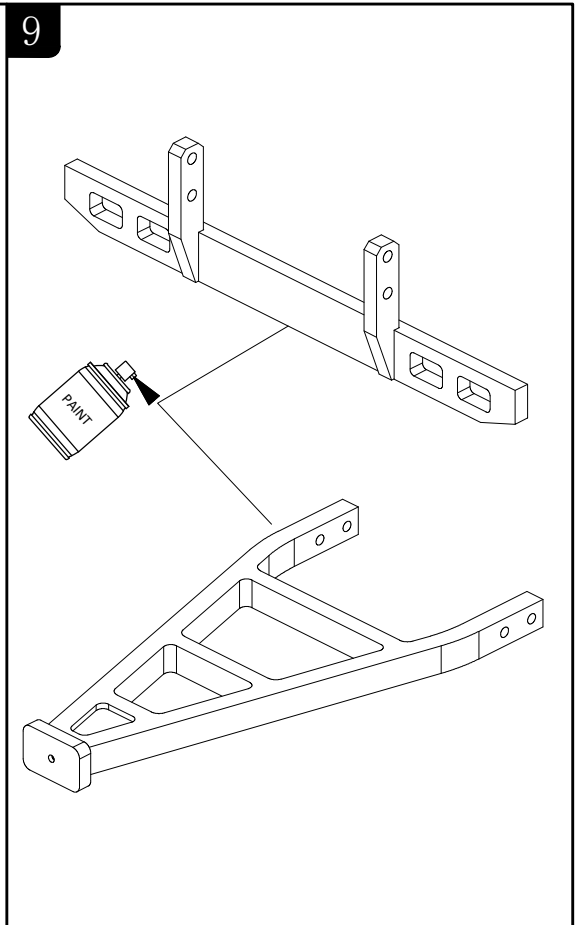
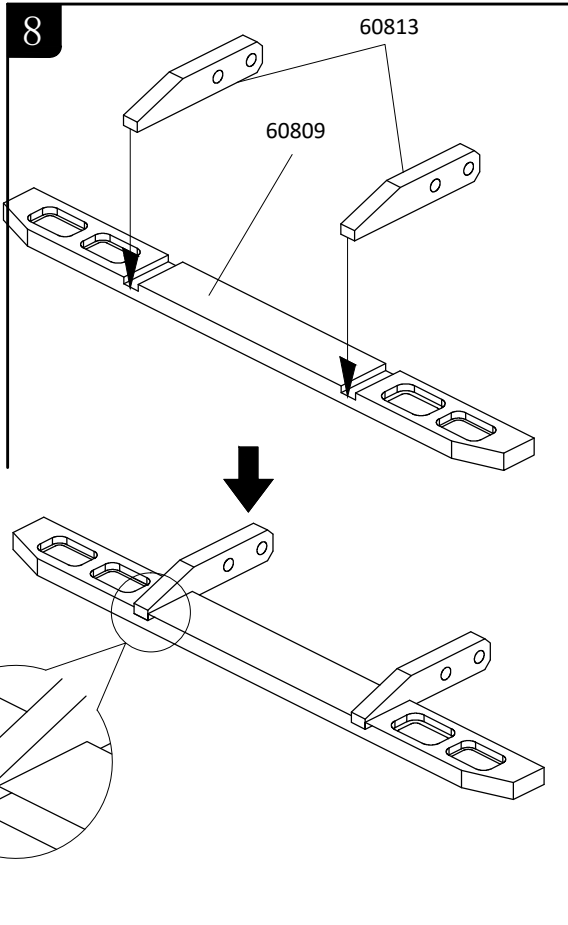
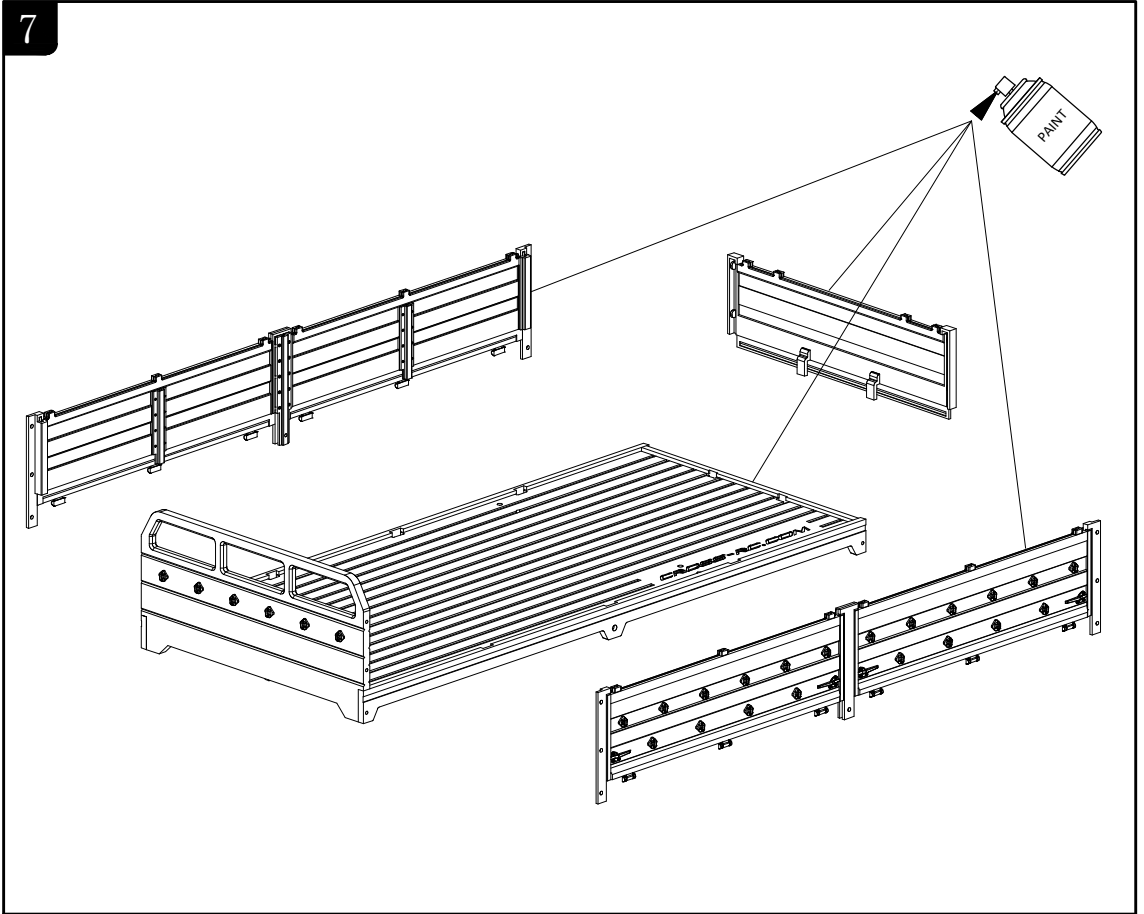


4







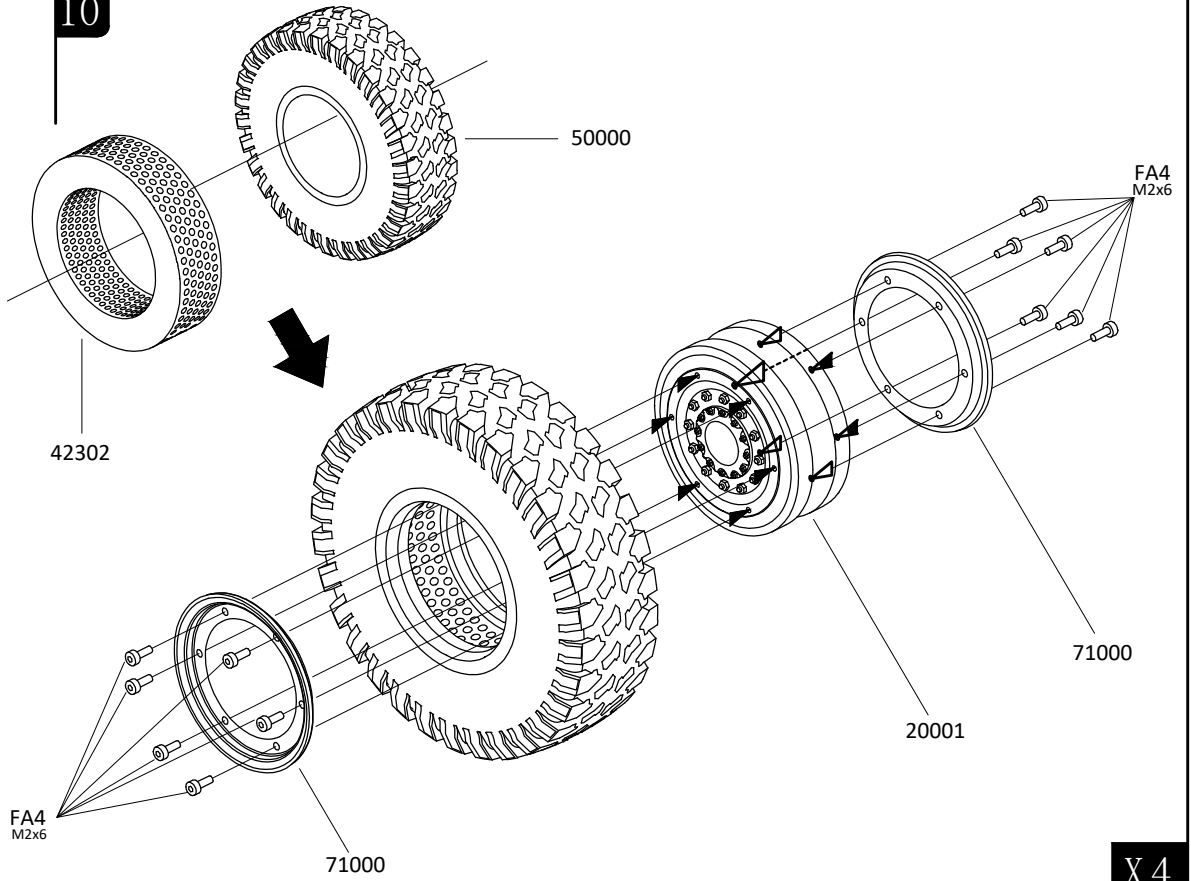


10

FA4



M2x6 X48



X4

11

FA1

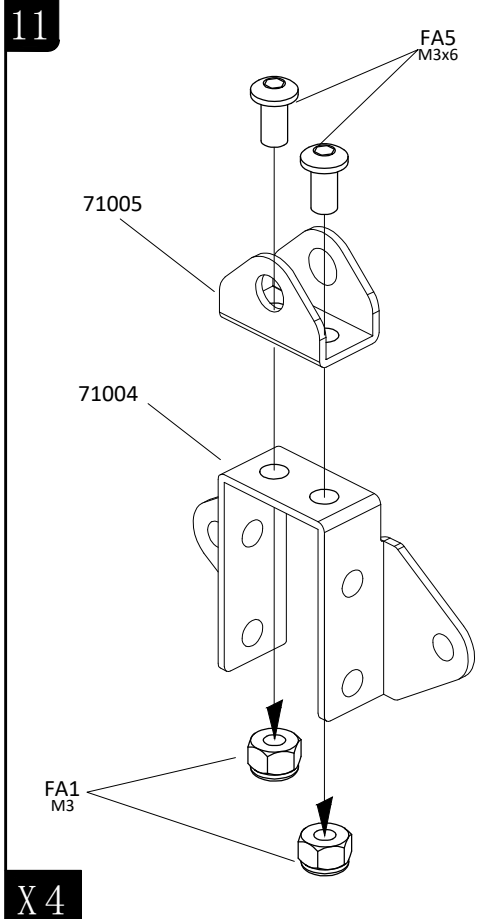


M3 X8

FA5

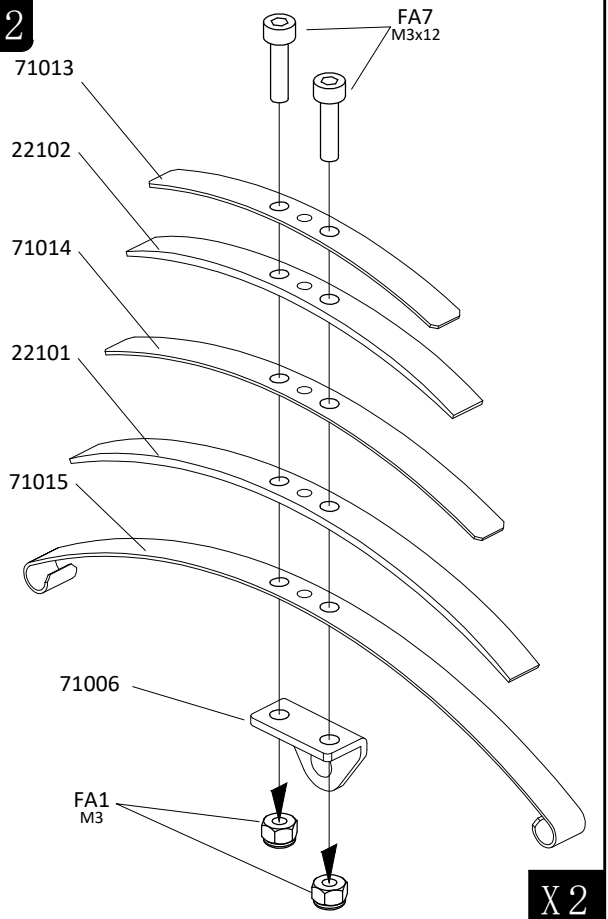


M3x6 X8



X4

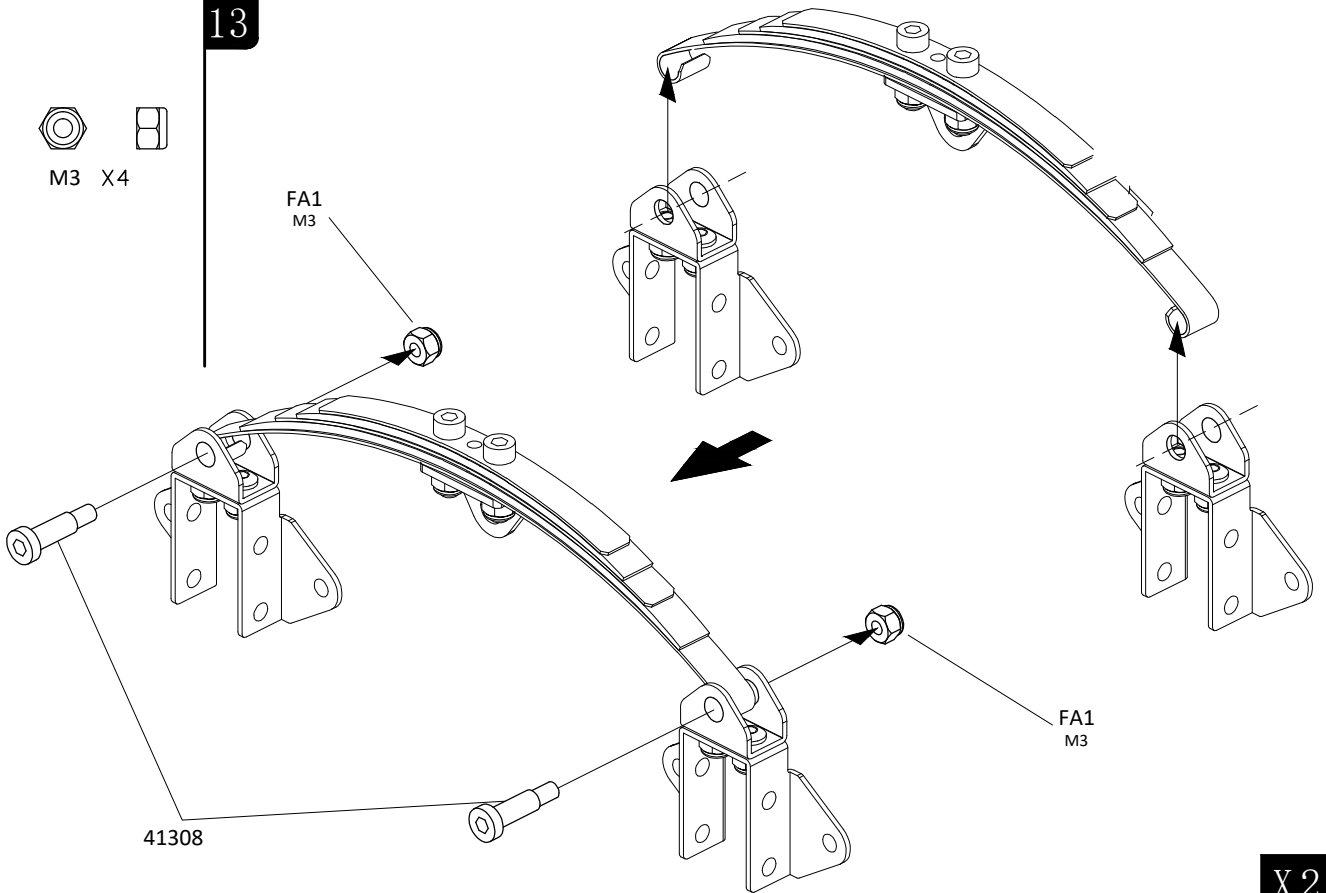
12



X2

13

FA1  
M3 X4

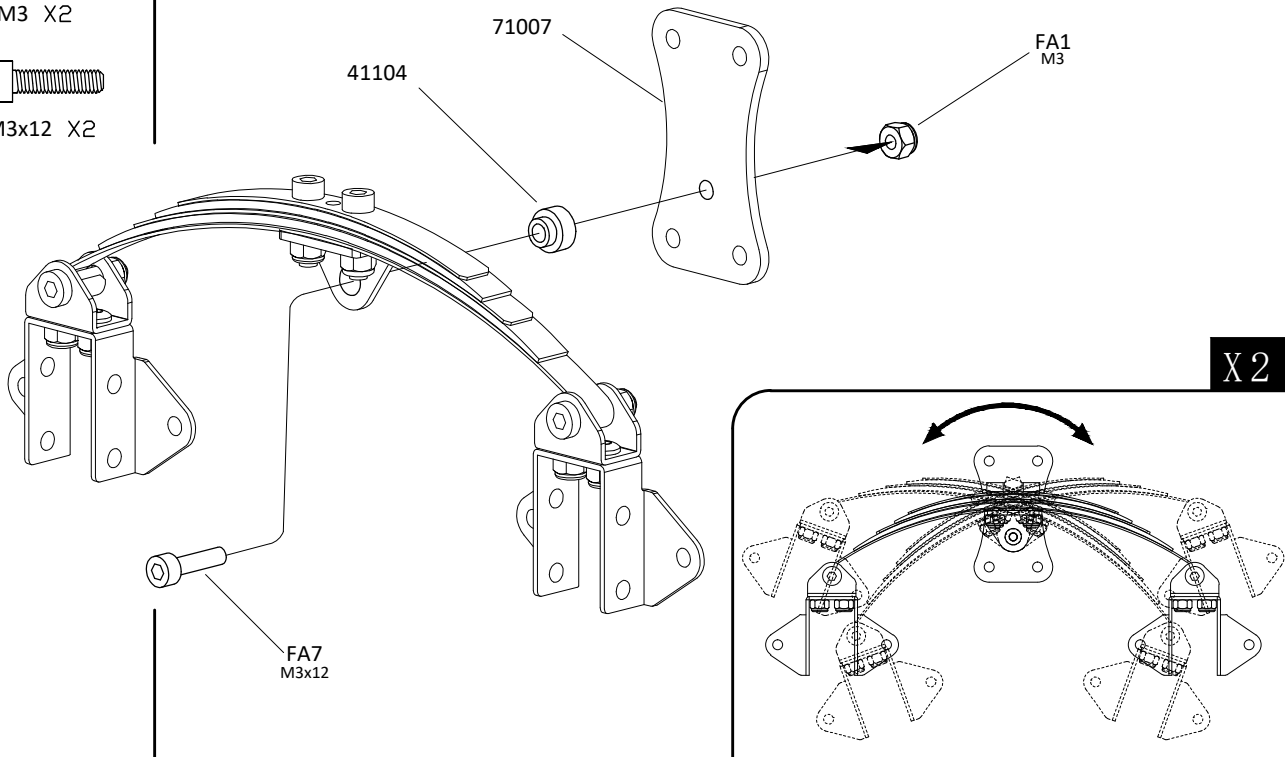


X2

14



FA1  
M3 X2

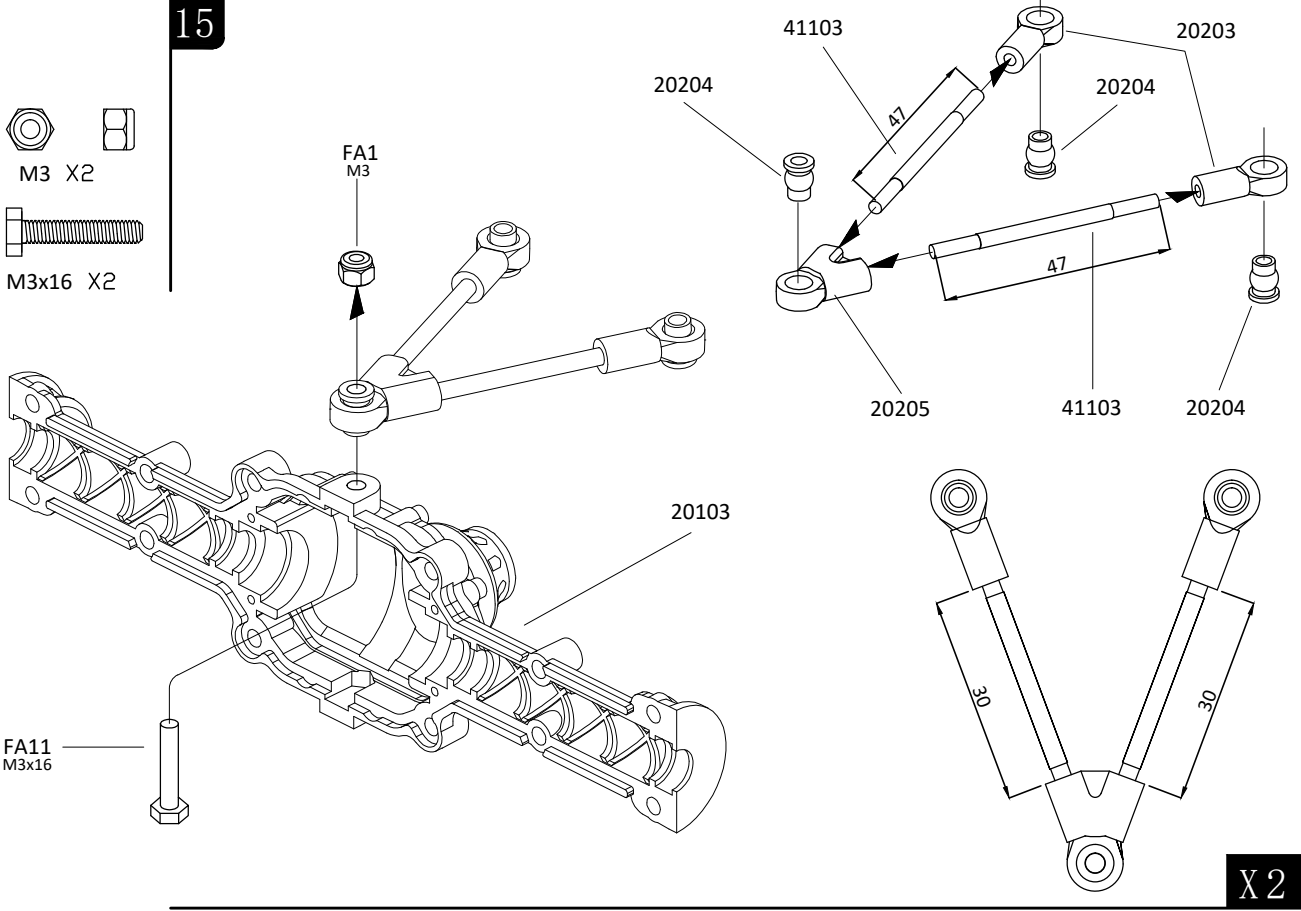
FA7  
M3x12 X2



X2




15

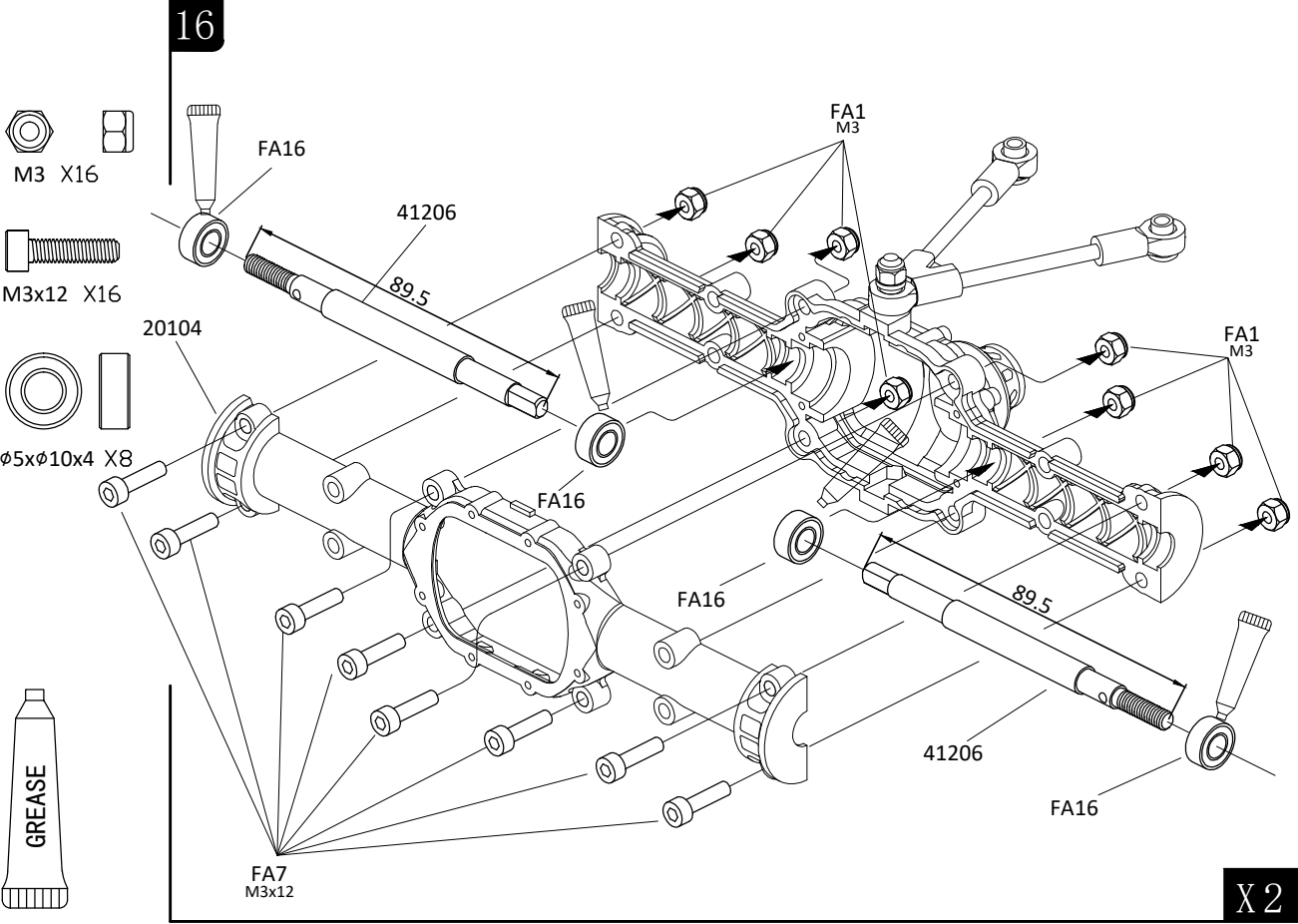
- FA1  M3 X2
- FA11  M3x16 X2



X2

16

- FA1  M3 X16
- FA7  M3x12 X16
- FA16   $\phi 5 \times \phi 10 \times 4$  X8



X2

17

FA4  
M2x6 X16

FA4  
M2x6

20105

FA4  
M2x6

X2

18

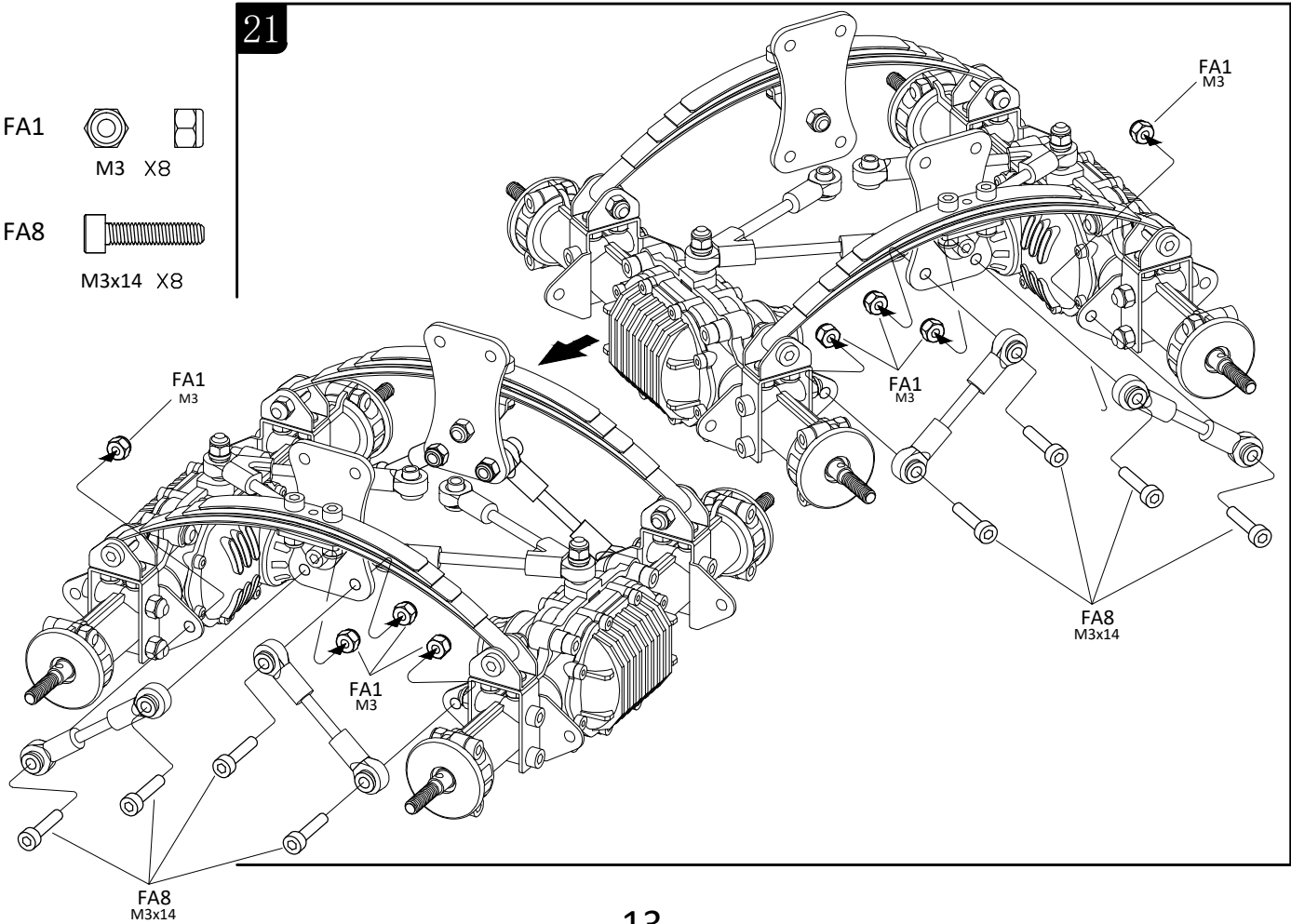
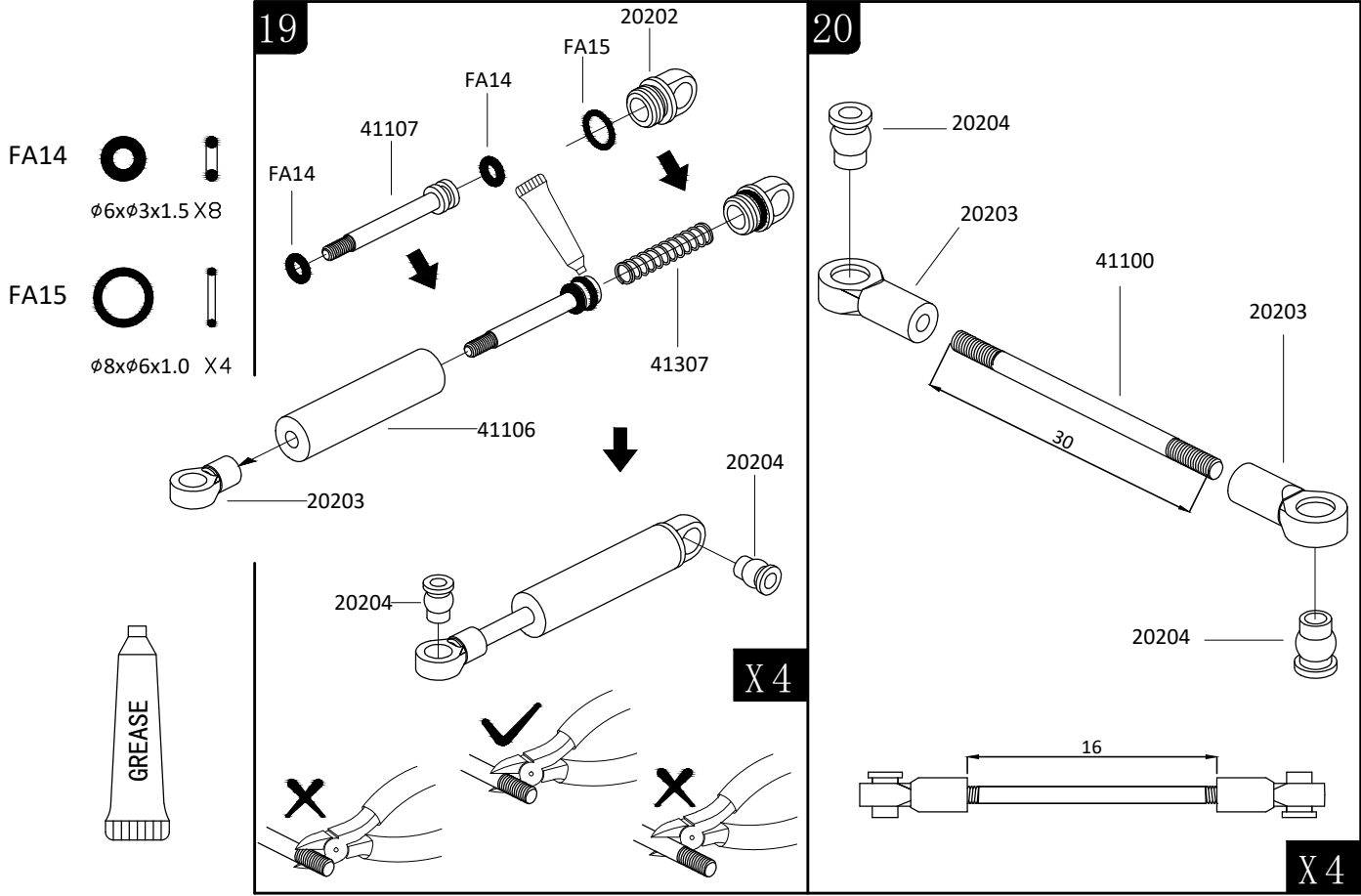
FA1  
M3 X8

FA10  
M3x22 X8

FA1  
M3

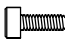
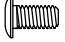

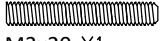
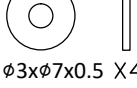
FA10  
M3x22

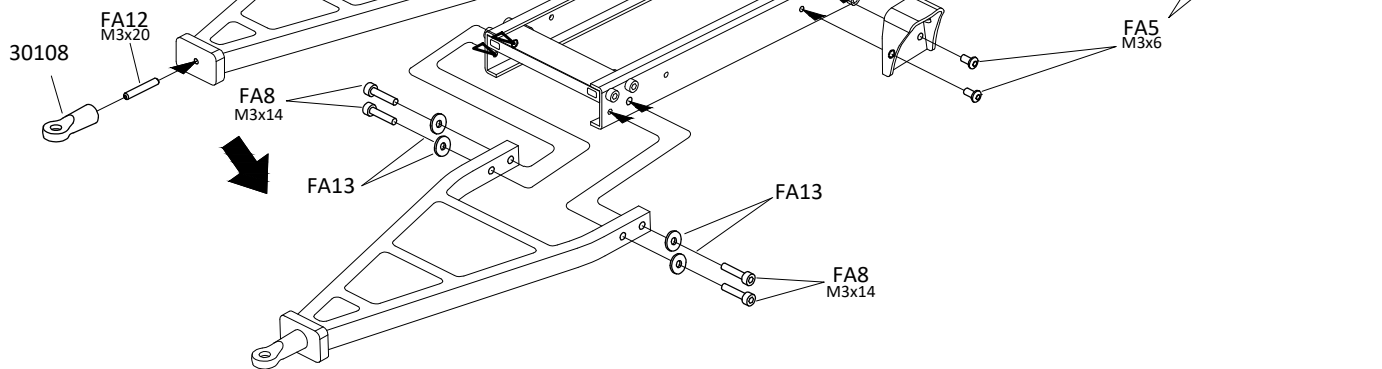
FA10  
M3x22



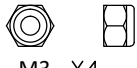
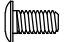




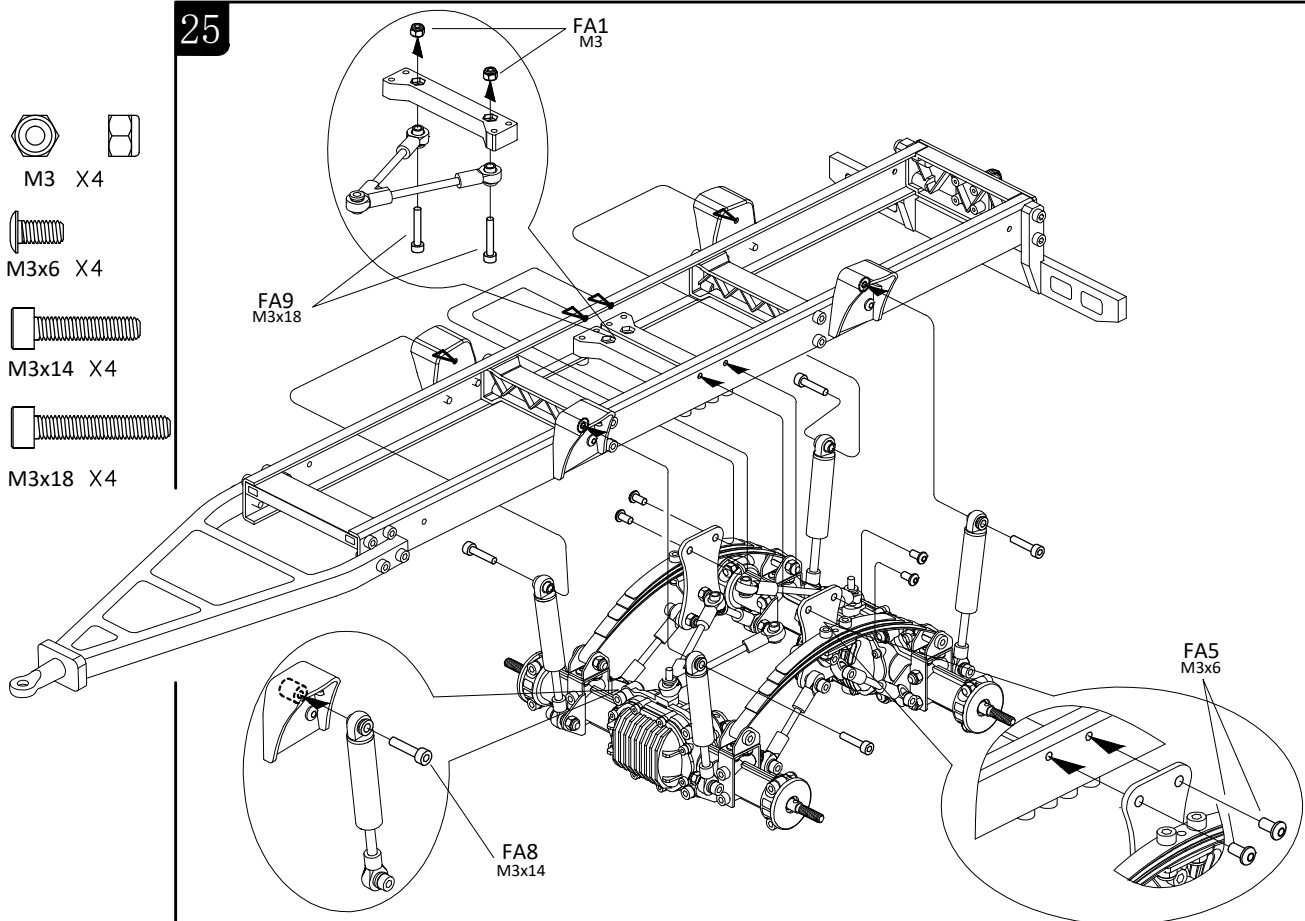
24

- FA4  M2x6 X4
- FA5  M3x6 X8
- FA8  M3x14 X4
- FA12  M3x20 X1
- FA13   $\varnothing 3 \times \varnothing 7 \times 0.5$  X4



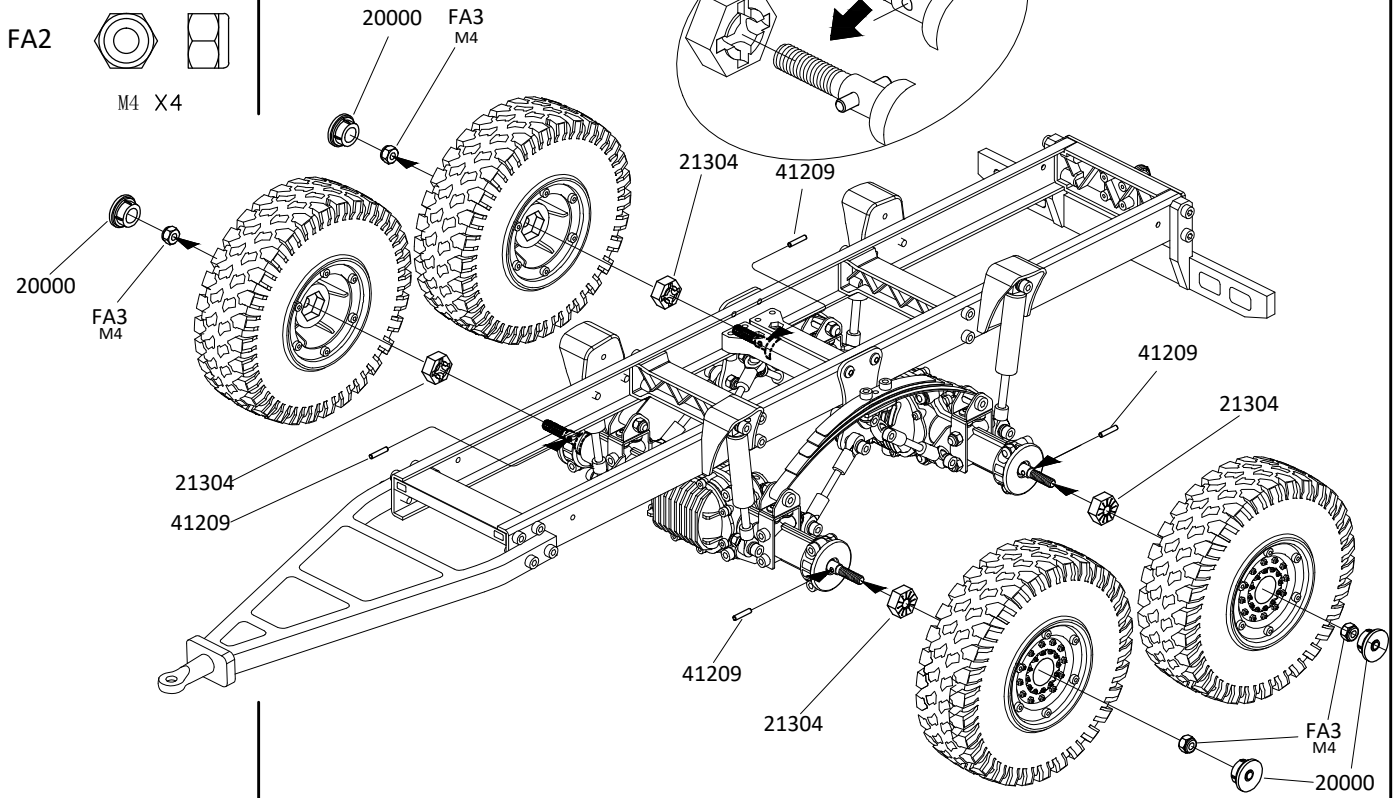
25

- FA1  M3 X4
- FA5  M3x6 X4
- FA8  M3x14 X4
- FA9  M3x18 X4

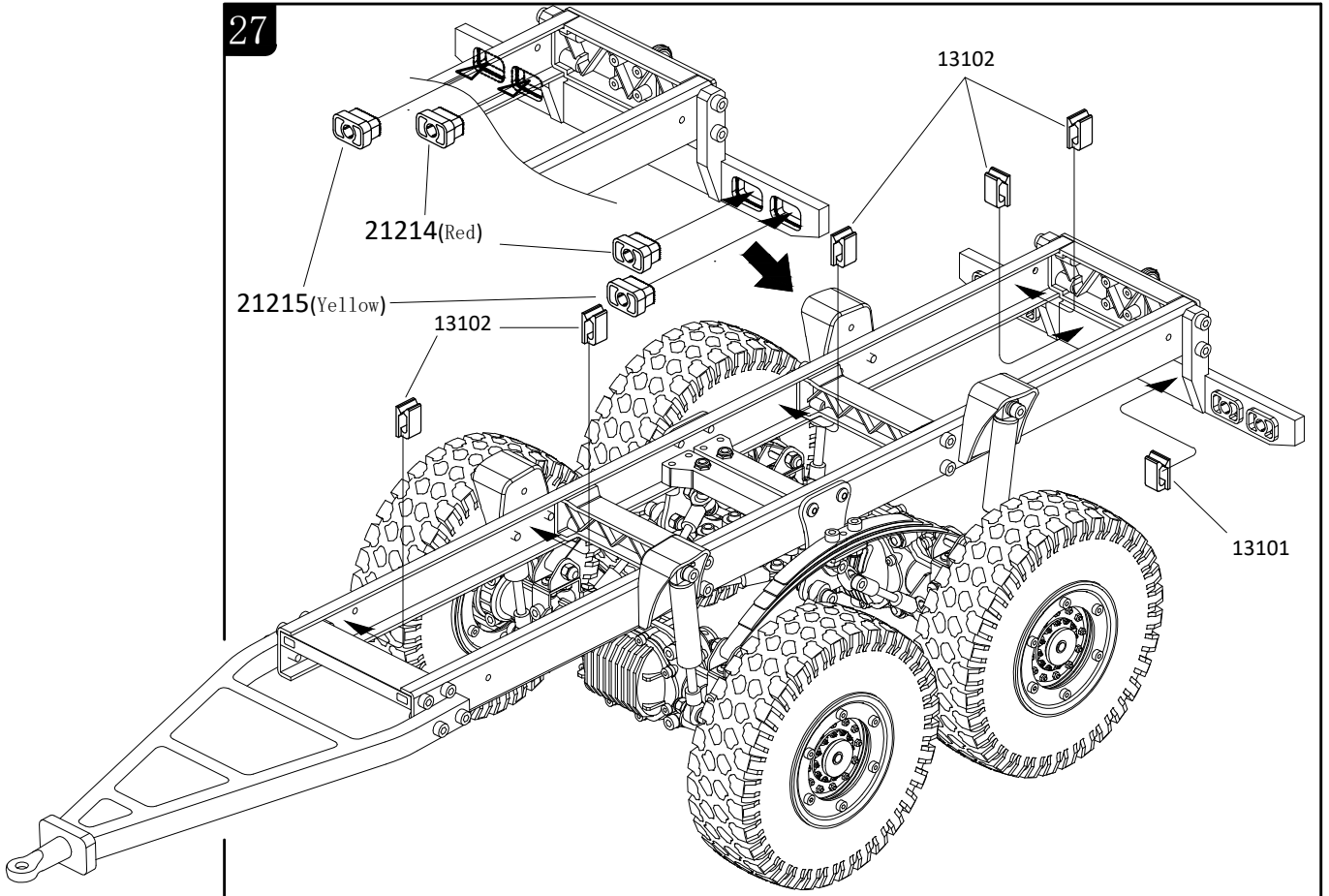




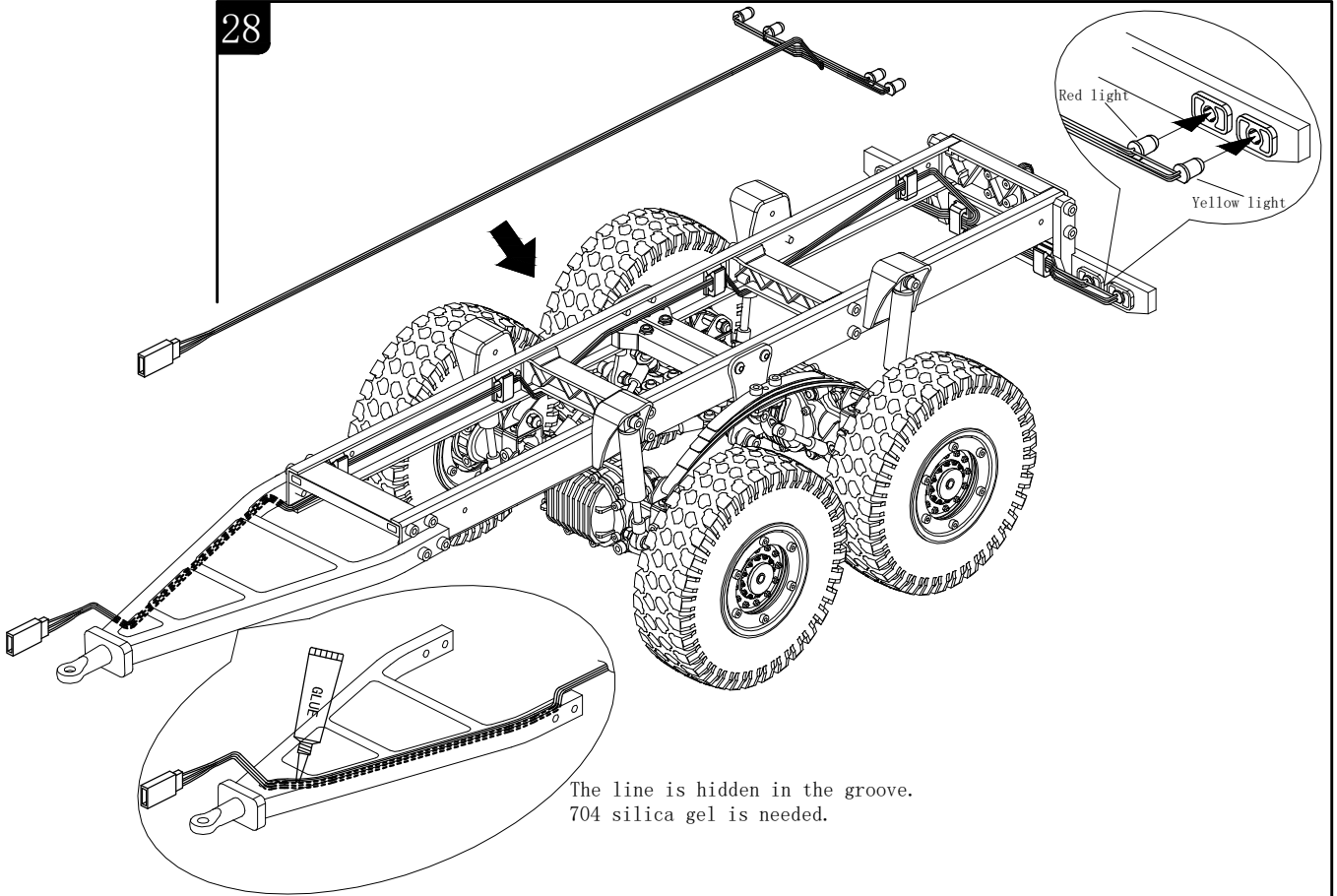
26



27



28

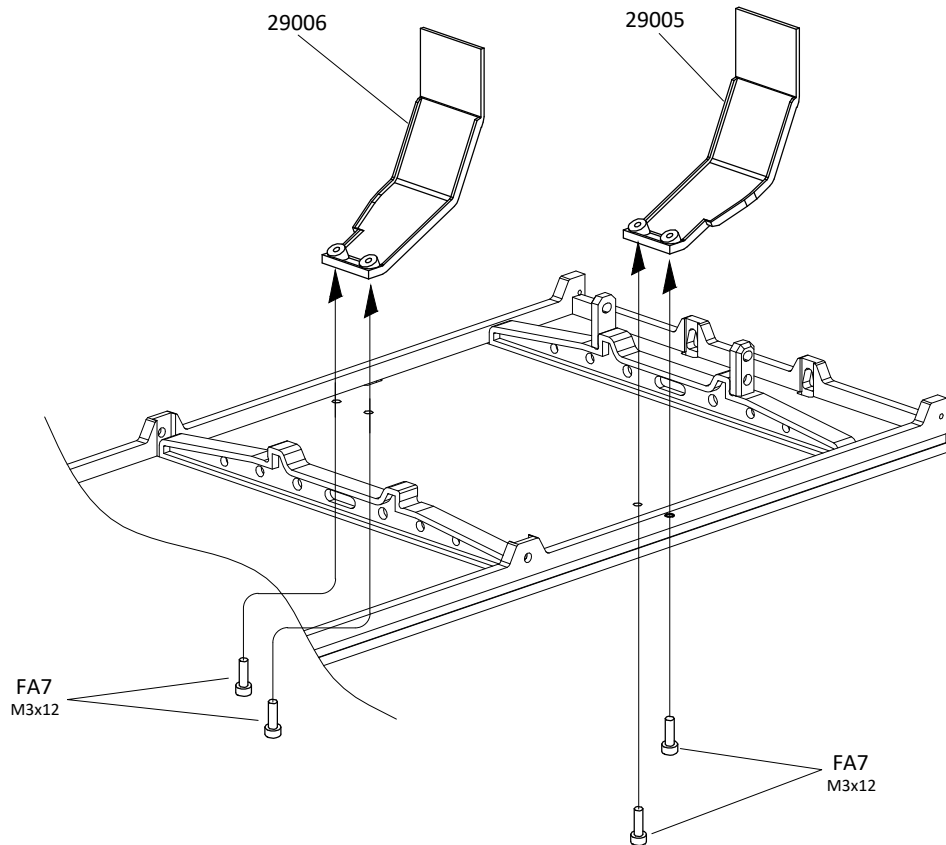


29

FA7



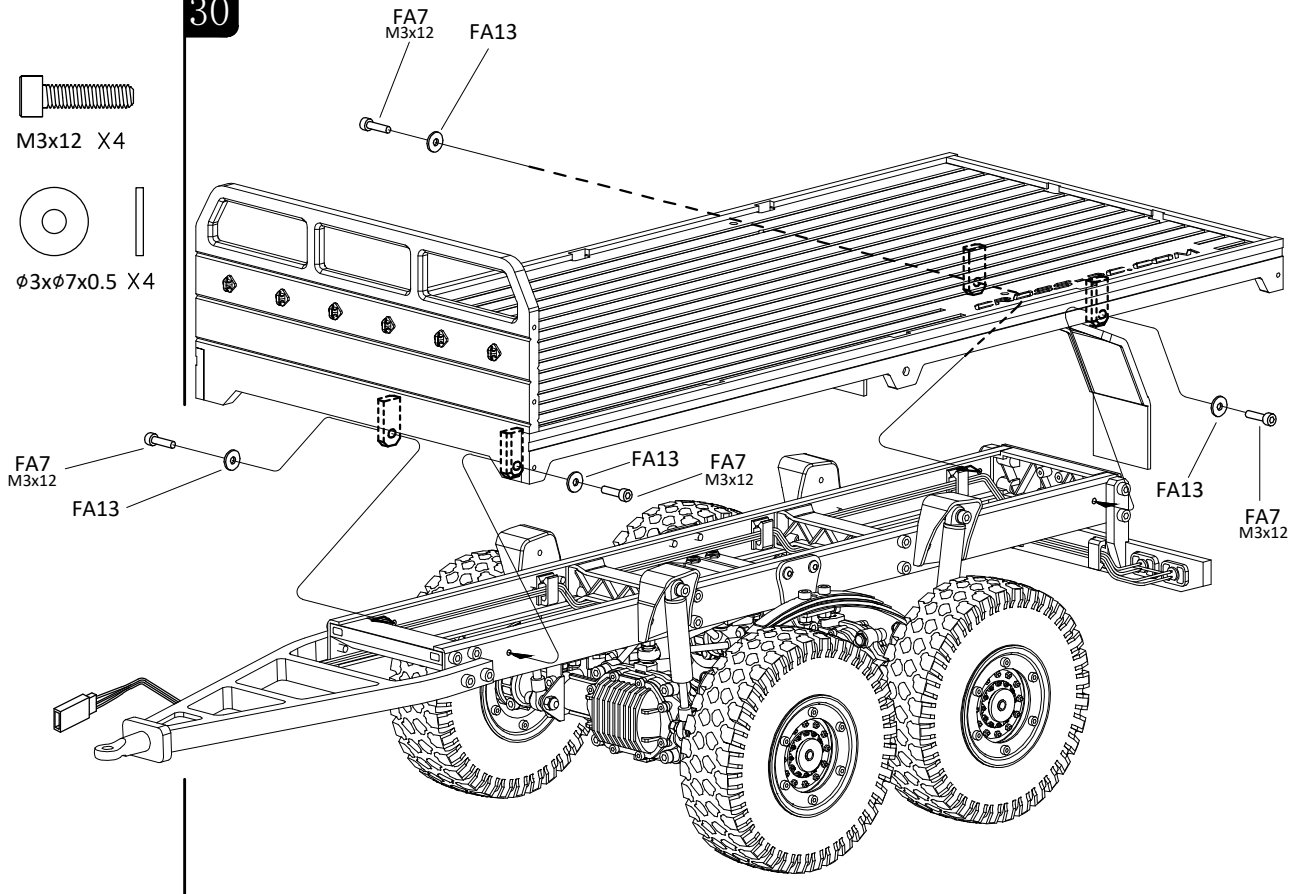
M3x12 X4



30

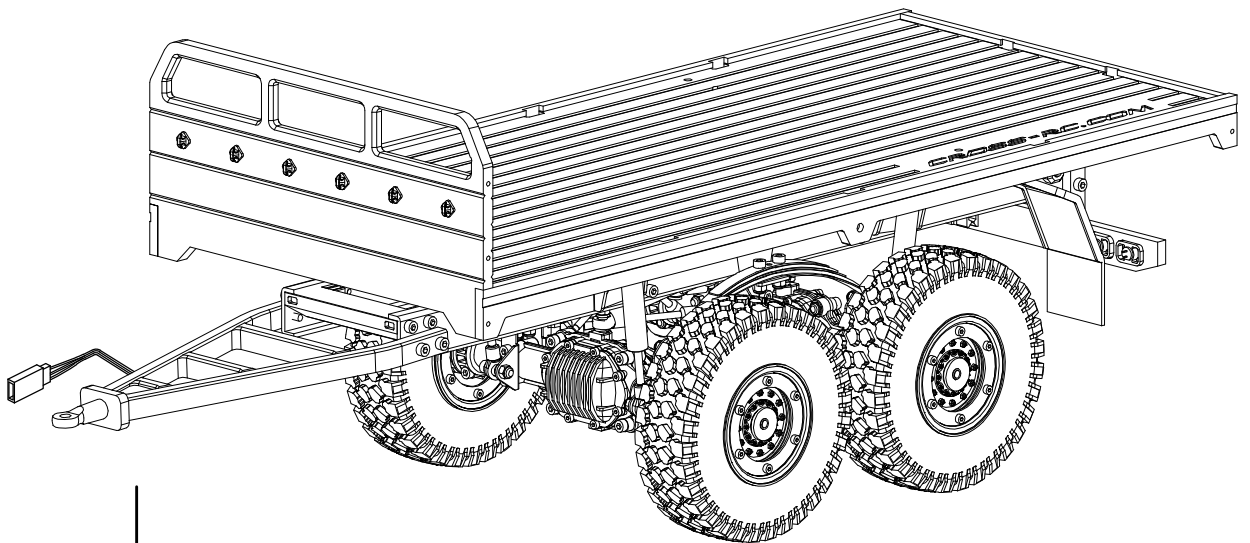
FA7  
M3x12 X4

FA13  
Ø3xØ7x0.5 X4



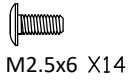
31

Flat bed



32

FA3



FA9  
M2.5x12

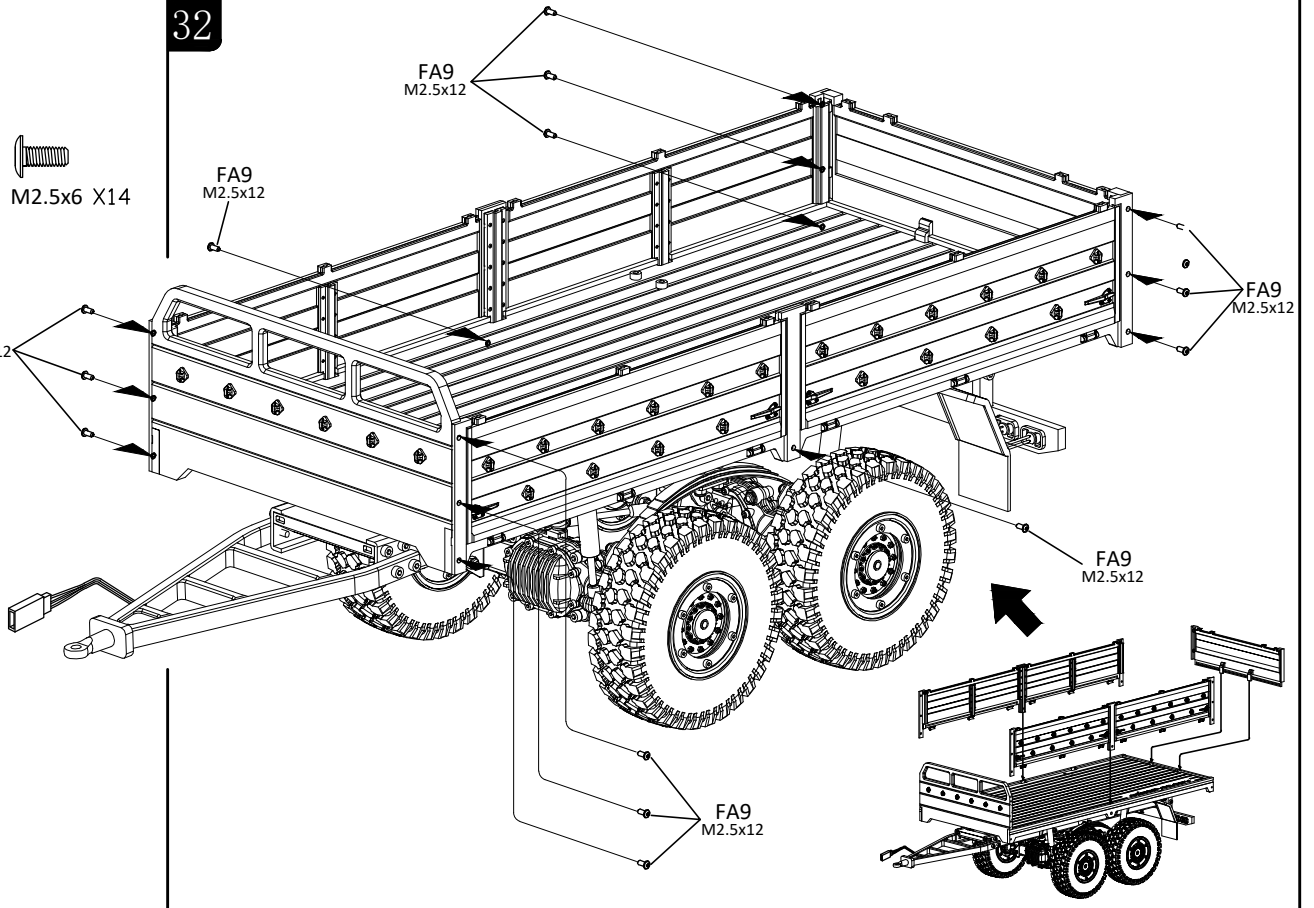
FA9  
M2.5x12

FA9  
M2.5x12

FA9  
M2.5x12

FA9  
M2.5x12

FA9  
M2.5x12



33

### Cargo bed

