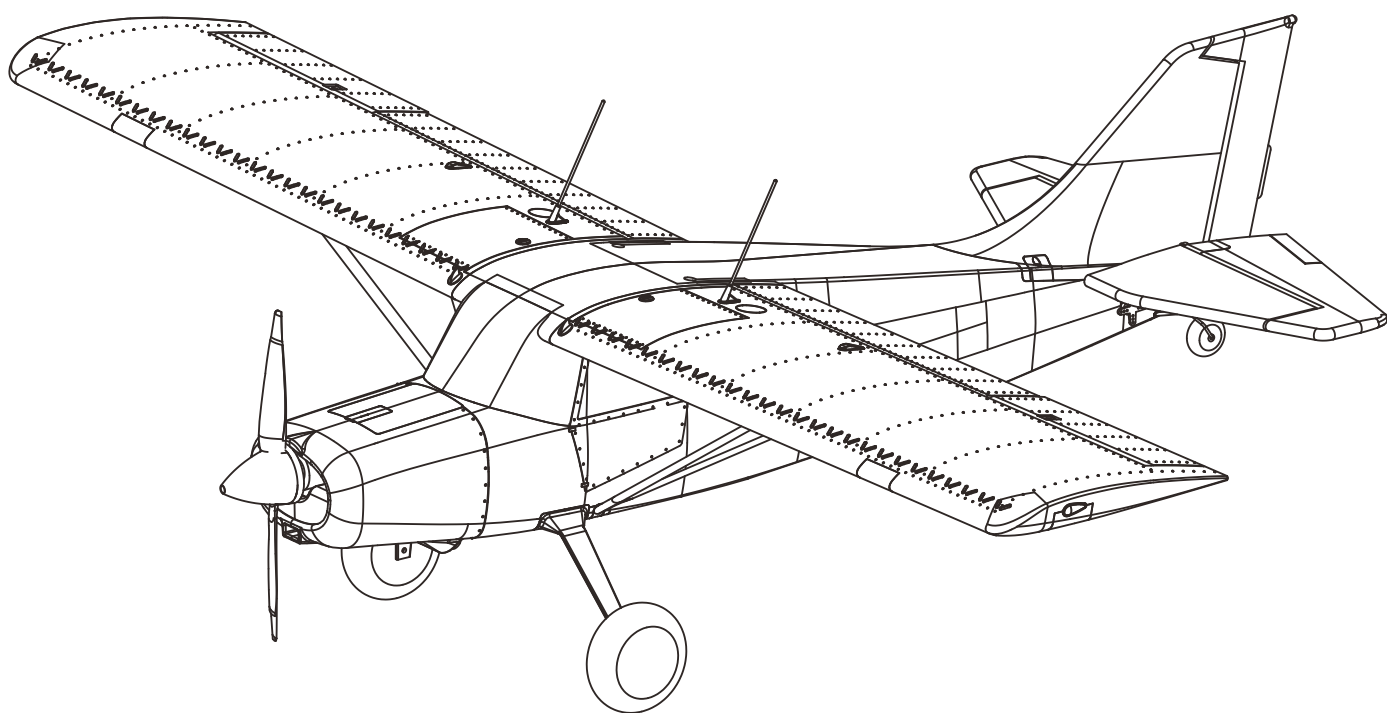




1500mm MAULE

莫尔



Instruction Manual
Bedienungsanleitung
Manuel d' utilisation
操作手册

Optional floats • Strong durable EPO • Simple assembly
含浮筒/轮胎起落架 • 高强度EPO泡沫 • 安装简单

FMSSMODEL.COM

WARNING

WARNING: Read the ENTIRE instruction manual to become familiar with the features of the product before operating. Failure to operate the product correctly can result in damage to the product, personal property and cause serious injury.

This is a sophisticated hobby product and NOT a toy. It must be operated with caution and common sense and failure to do so could result in injury or damage to the product or other property. This product is not intended for use by children without direct adult supervision.

This manual contains instructions for safety operation and maintenance. It is essential to read and follow all the instructions and warnings in the manual prior to assembly, setup or use, in order to operate and avoid damage or serious injury.

Safety precautions and warnings

As the user of this product, you are solely responsible for operating in a manner that does not endanger yourself and others or result in damage to the product or the property of others. This model is controlled by a radio signal subject to interference from many sources outside your control. This interference can cause momentary loss of control so it is advisable to always keep a safe distance in all directions around your model, as this margin will help avoid collisions or injury.

Age Recommendation: Not for children under 14 years. This is not a toy.

- Never operate your model with low transmitter batteries.
- Always operate your model in an open area away from cars, traffic or people.
- Avoid operating your model in the street where injury or damage can occur.
- Never operate the model in populated areas for any reason.
- Carefully follow the directions and warnings for this and any optional support equipment you use (chargers, rechargeable battery packs, etc.)
- Keep all chemicals, small parts and anything electrical out of the reach of children.
- Moisture causes damage to electronics. Avoid water exposure to all equipment not specifically designed and protected for this purpose.
- Never lick or any place of any your model in your mouth as it could cause serious injury or even death.

Safety**Lithium Polymer (Li-Po) Battery Warning**

CAUTION: Always follow the manufacturer's instructions for safe use and disposal of batteries. Fire, property damage, or serious injury can result from the mishandling of Li-Po batteries.

- By handling, charging or using a Li-Po Battery you assume all risks associated with lithium batteries.
 - If at any time the batteries begin to swell or balloon, discontinue use immediately!
 - Always store the batteries at room temperature in a dry area to extend the life of the battery. Always transport or temporarily store the battery in a temperature range of 40-120F. Do not store the battery or model in a car or in direct sunlight. If stored in a hot car, the battery can be damaged or even catch fire.
 - Never use a Ni-Mh Charger to charge Li-Po Batteries. Failure to charge the battery with a Li-Po compatible charger may cause fire resulting in personal injury and property damage.
 - Never discharge Li-Po Cells below 3V.
 - Never leave charging batteries unattended.
 - Never charge damaged batteries.
- Charging the Flight Battery Warning**
- Use a battery charger that is designed to safely charge the Li-Po Battery. Read the charger instructions carefully before use. When charging the battery, make certain the battery is on a heat resistant surface. It is also highly recommended to place the Li-Po Battery inside a fire resistant charging bag readily available at hobby shops or online.

Introduction

The world is always full of mavericks, and Maule was one of them. Can you believe it? While the whole world geared up to fly higher and faster, Maule was doing the opposite - to fly slower and lower- and he did it.

The FMS 1500mm model Maule replicates the low-speed handling and short take-off and landing (STOL) features of the real Maule to the greatest extent possible. Aided by lightweight and durable EPO foam and functional flaps, FMS Maule is capable of taking off within three meters.

In line with the product concept of "perfect appearance, excellent performance", FMS Maule includes an abundance of scale detail. From the crystal-clear cabin windows and interior decoration, to molded panel lines, antennas, rivets, vortex generators and functional LED lights, FMS Maule pushes the limits of restoration degree that can be achieved in an aircraft of the same size and type.

Maule can be equipped with two sets of landing gear - a tire set and a float set, for conquering any terrain year-round. The pre-installed 3S/ 4S compatible brushless power system delivers plenty of performance for flying from smooth or rough surfaces using the oversized wheels, or from water using the included float set.

FMS Maule - enjoy unparalleled flying pleasure.

Key Features:

- Power configuration: high-performance 3541 motor, 40A ESC.
- Scale details: cockpit interior, pilot, molded panel lines, antennas, rivets, vortex generators.
- Glue-free assembly.
- Functional flaps for low-speed handling and shorter takeoffs and landings (STOL).
- Factory installed and operational LED lighting.
- Lightweight and durable EPO foam construction.
- Plug-in, two-piece wing design with folding wing struts.
- Oversized tires and heavy-duty wire landing gear.
- Optional float set included with steerable water rudder for taking off and landing on water.

Table of contents

Introduction3

Kit contents3

Model assembly4

Battery installation 7

Receiver diagram 8

Preflight check 8

Clevis installation9

Control horn and servo arm settings..... 9

Center of gravity(CG)10

Before flying the model10

Flying course10

Troubleshooting11

Spare parts list content11

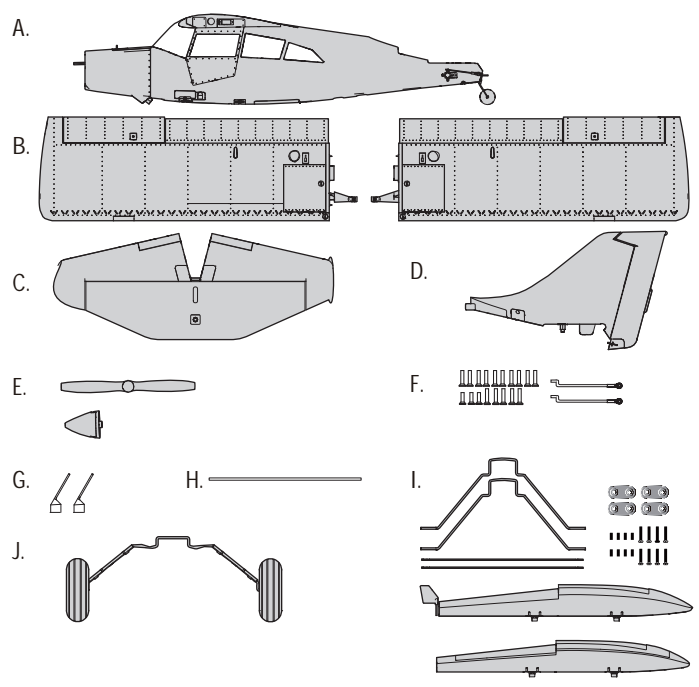
User Manual of Brushless Speed Controller12

Kit contents

Before assembly, please inspect the contents of the kit. The photo below details the contents of the kit with labels. If any parts are missing or defective, please identify the name or part number (refer to the spare parts list near the end of the manual) then contact your local shop or email us: support@fmsmodel.com.

Specifications

Wing span:1500mm /59in
Overall length: 1100mm /43.3in
Flying weight: ~ 1871g
Motor size: 3541-KV1050
Wing load:52.4 g/dm ²
Wing area: 35.7 dm ²
ESC: 40A
Servo: 9g*7
Recommended battery: 11.1V 2200-3200mAh 50C

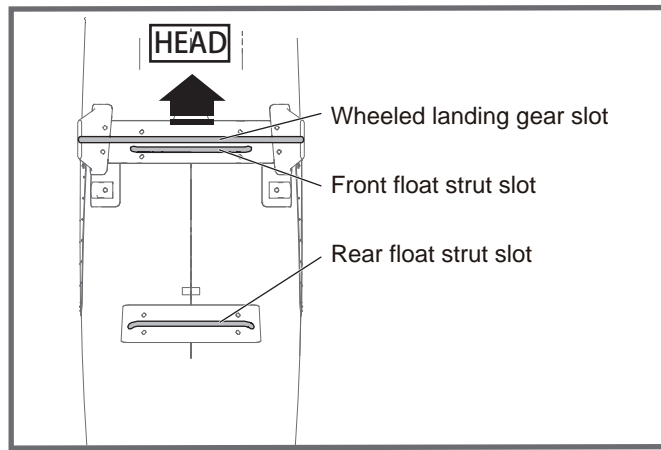
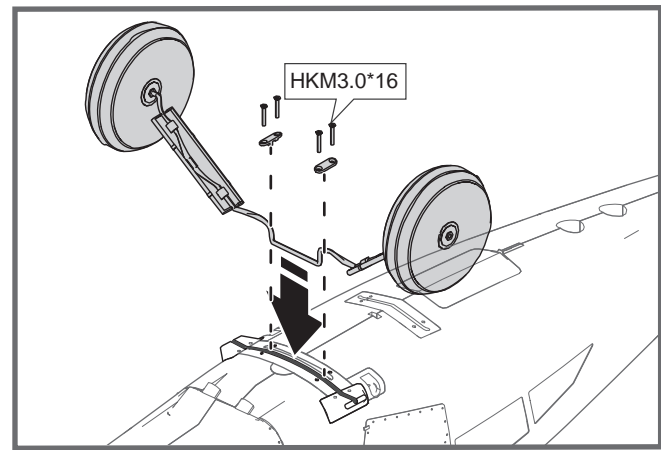


- A:Fuselage
- B:Main wing
- C:Horizontal stabilizer
- D:Vertical stabilizer
- E:Propeller set
- F:Screws and linkage rods
- G:Scale antennas
- H:Wing tube
- I :Float set
- J:Landing gear set

Model assembly

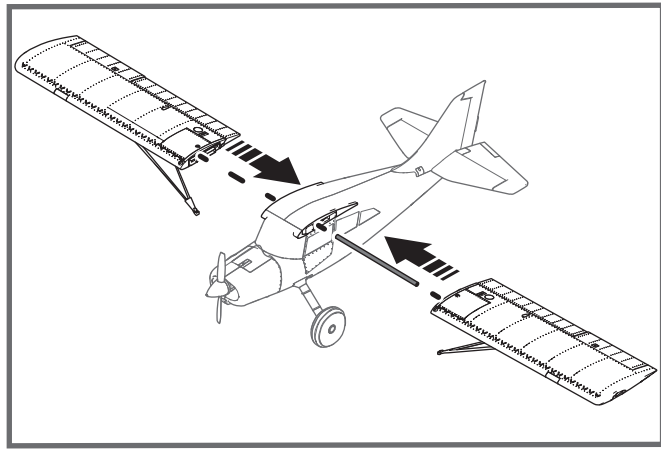
Landing gear installation

1. With the bottom of the fuselage facing up, install the landing gear set into the corresponding slot as shown.
2. Secure the landing gear set with the four included screws and inserts.



Main wing installation

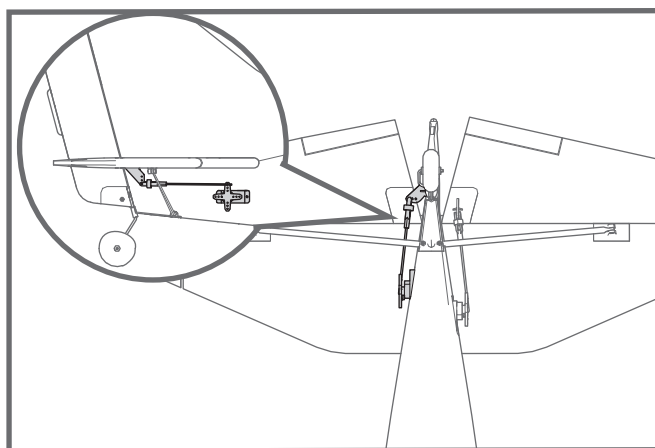
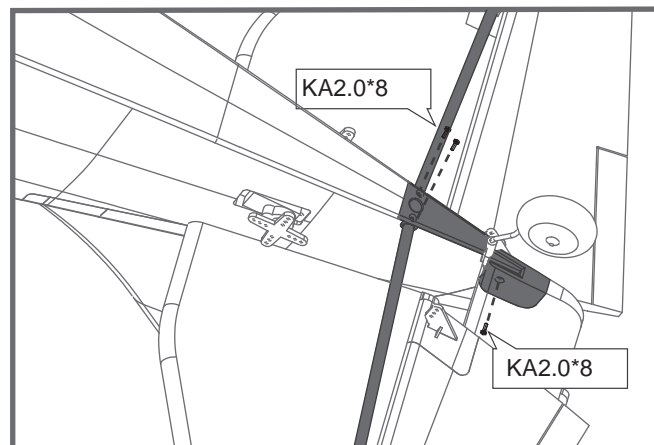
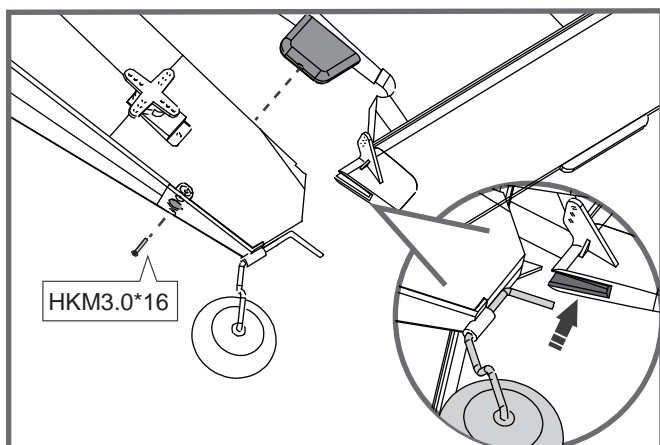
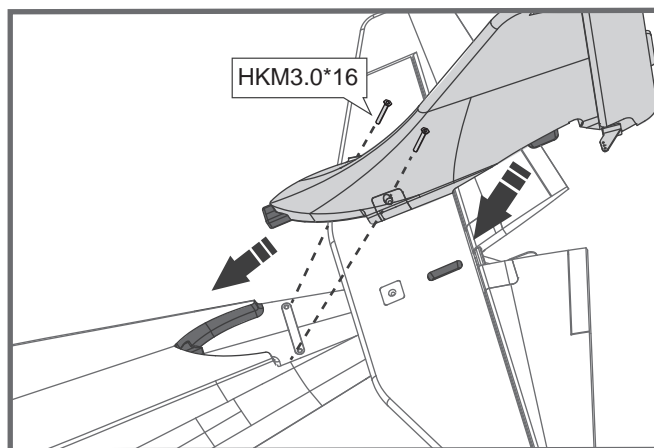
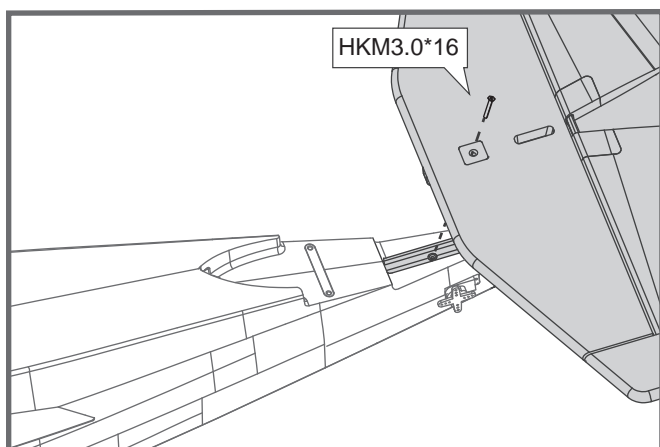
1. Align and slide the wing spar into the fuselage, then install both wings over the wing spar and into the wing slot of the fuselage.
2. Connect the connectors of servo and LED light in the main wing to the fuselage.
 Note: Make sure that the connectors in the main wing are connected to the correct extensions of the fuselage.
3. Secure the wings in place with the four included screws as shown.
4. Secure the supporting bars to the fuselage with the two included screws as shown.



Model assembly

Tail installation

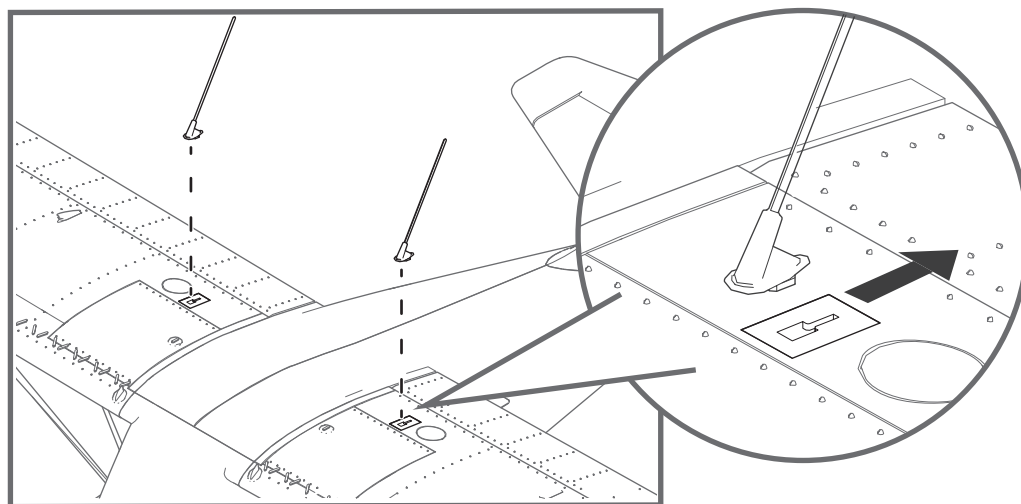
1. Install the horizontal stabilizer into rear slot of the fuselage, and fix in place using the one included screw.
2. Align and install the vertical stabilizer into the slot in the horizontal stabilizer and the rear of fuselage as shown, fix the vertical stabilizer in place with the two included screws from the top of the fuselage.
3. Fix the vertical stabilizer in place with the one included screw from the bottom of the fuselage, and insert the tail wheel wire into the slot of vertical stabilizer as shown.
4. Flex the tail struts slightly and insert them into the pockets on the fuselage, fix the struts in place with the two included screws, and fix the tail wheel assembly in place with the one included screw.
5. Connect the clevises on the elevator and rudder pushrods to the control horns on the outermost holes



Model assembly

Scale antennas installation

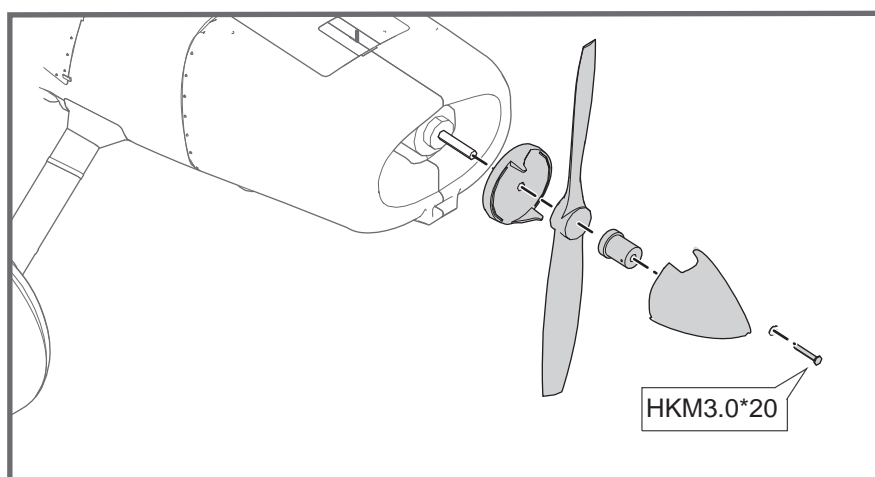
Insert the tabs of non-functional scale antennas into the slots on the top of the wing and slide them toward the tail to lock in place.



Propeller installation

1. Install the spinner backplate, propeller, prop washer and spinner adapter.
2. Tighten the spinner adapter until the propeller is securely fastened.
3. Secure the spinner with the included screw.

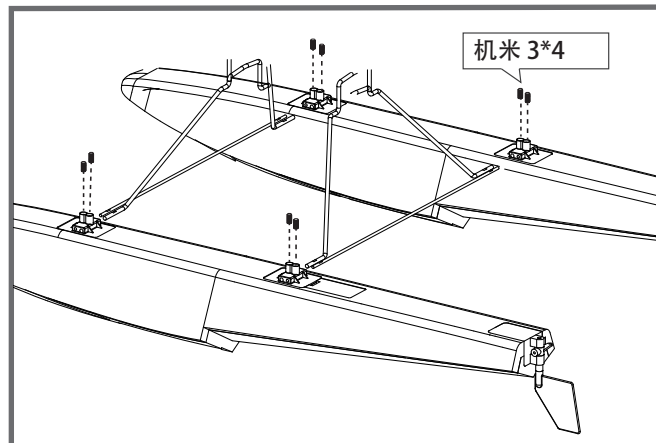
Note: The rotation direction of the motor should be clockwise (rear view)
Disassemble in reverse order.



Model assembly

Float set installation

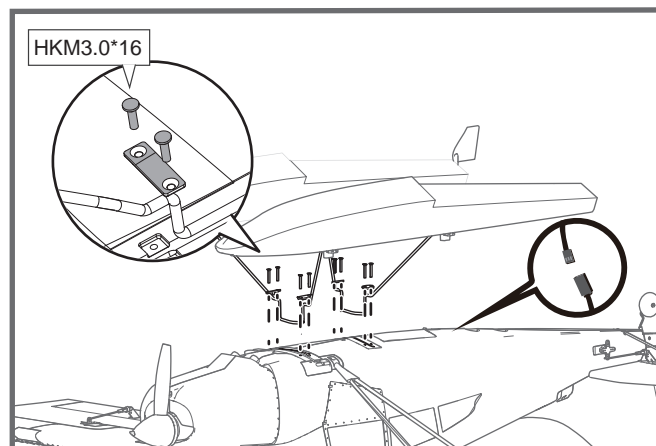
1. Install the two cross members and the front and rear float struts between the left and right floats as shown. Secure the assembly together with the eight included set screws.



2. Insert the front and rear struts into the float slots on the bottom of the fuselage, and secure them in place with the eight included screws and brackets.

3. Connect the float servo lead to the rudder extension in the fuselage.

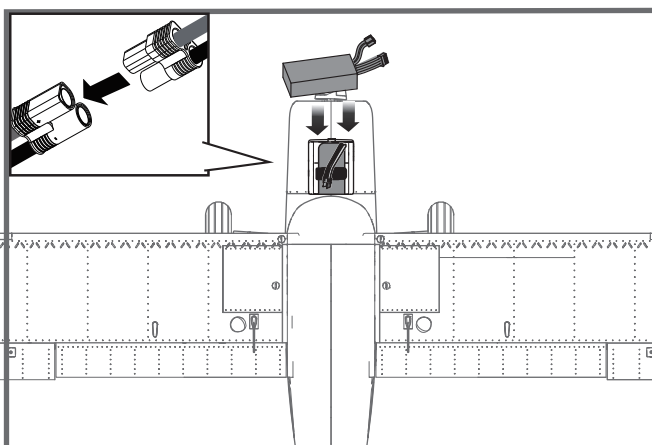
NOTE: make sure the servo plugs are firmly inserted



Battery installation

1. Pull back on the latch and remove the battery hatch.
2. Apply the hook tape to the cable end of the battery.
3. Slide the full charged battery into the battery compartment with the power supply cable toward the rear end of the plane.

Note: The center of gravity can be adjusted by moving the battery forward or aft. Having the correct center of gravity is critical to achieving proper flight characteristics.



Receiver diagram

The cables from the servo connector board should be connected to your receiver in the order shown. Note that the LEDs can be powered by any spare channel on the receiver. Tuck the wire leads into the recessed cavity towards the rear of the battery hatch.

		Receiver
Gear	1	Channel-1 — Aile
Elevator	2	Channel-2 — Elev
Throttle	3	Channel-3 — Thro
Rudder	4	Channel-4 — Rudd
Gear	5	Channel-5 — Gear
Spare	6	Channel-6 — Spare

Get your model ready to fly

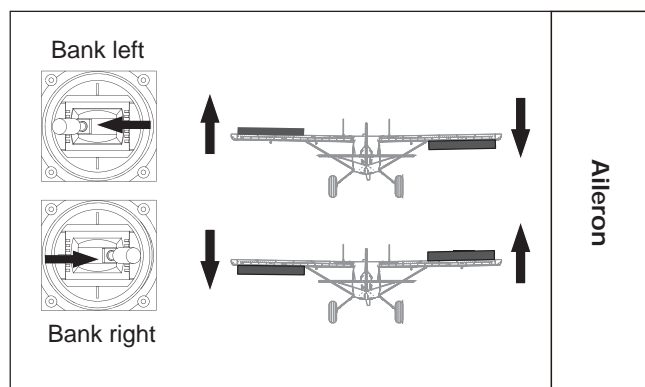
Important ESC and model information

1. The ESC included with the model has a safe start. If the motor battery is connected to the ESC and the throttle stick is not in the low throttle or off position, the motor will not start until the throttle stick is moved to the low throttle or off position. Once the throttle stick is moved to the low throttle or off position, the motor will emit a series of beeps. Several beeps with the same tune means the ESC has detected the cells of the battery. The count of the beeps equals the cells of the battery. The motor is now armed and will start when the throttle is moved.
2. The motor and ESC come pre-connected and the motor rotation should be correct. If for any reason the motor is rotating in the wrong direction, simply reverse two of the three motor wires to change the direction of rotation.
3. The motor has an optional brake setting. The ESC comes with brake switched off and we recommend that the model be flown with the brake off. However, the brake could be accidentally switched on if the motor battery is connected to the ESC while the throttle stick is set at full throttle. To switch the brake off, move the throttle stick to full throttle and plug in the motor battery. The motor will beep one time. Move the throttle stick to low throttle or the off position. The motor is ready to run and the brake will be switched off.
4. Battery Selection and Installation. We recommend the 11.1V 2200-3200mAh 50C Li-Po battery. If using another battery, the battery must be at least a 11.1V 2200-3200mAh 50C battery. Your battery should be approximately the same capacity, dimension and weight as the 11.1V 2200-3200mAh 50C Li-Po battery to fit the fuselage without changing the center of gravity significantly.

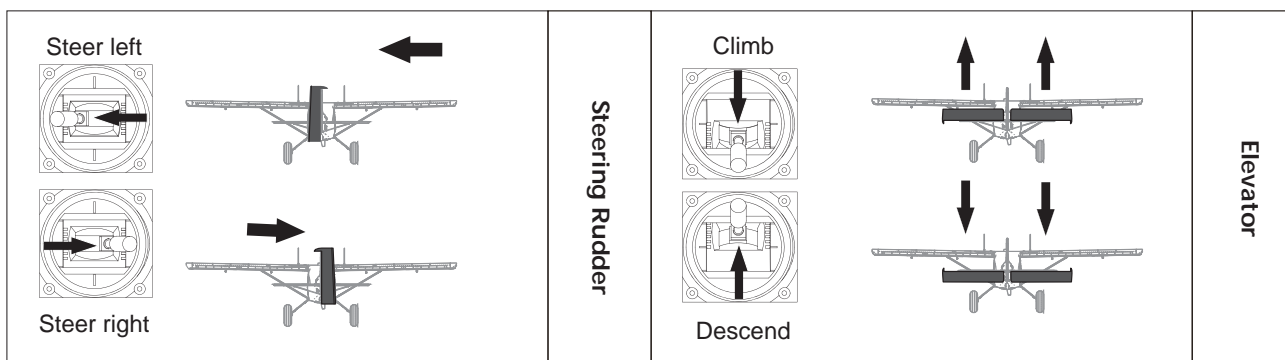
Transmitter and model setup

Before getting started, bind your receiver with your transmitter. Please refer to your transmitter manual for proper operation. CAUTION: To prevent personal injury, DO NOT install the propeller assembly onto the motor shaft while testing the control surfaces. DO NOT arm the ESC and do not turn on the transmitter until the Transmitter Manual instructs you to do so.

Tips: Make sure all control sticks on your radio are in the neutral position (rudder, elevator, ailerons) and the throttle is in the OFF position. Make sure both ailerons move up and down (travel) the same amount. This model tracks well when the left and right ailerons travel the same amount in response to the control stick. Move the controls on the transmitter to make sure the aircraft control surface moves correctly. See diagrams right.



Get your model ready to fly



Control throws

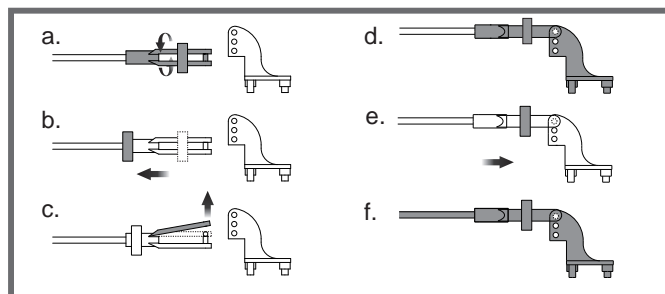
The suggested control throw setting for this airplane are as follows (dual rate setting):

Tips: On the first flight, fly the model in low rate. The first time you use high rates, be sure to fly at low to medium speeds. High rate, as listed, is only for EXTREME maneuvering.

	High Rate	Low Rate
Elevator	18mm up / down	14mm up / down
Aileron	16mm up / down	12mm up / down
Rudder	28mm left / right	20mm left / right

Clevis installation

1. Pull the tube from the clevis to the linkage.
2. Carefully spread the clevis, then insert the clevis pin into the desired hole in the control horn.
3. Move the tube to hold the clevis on the control horn.



Control horn and servo arm settings

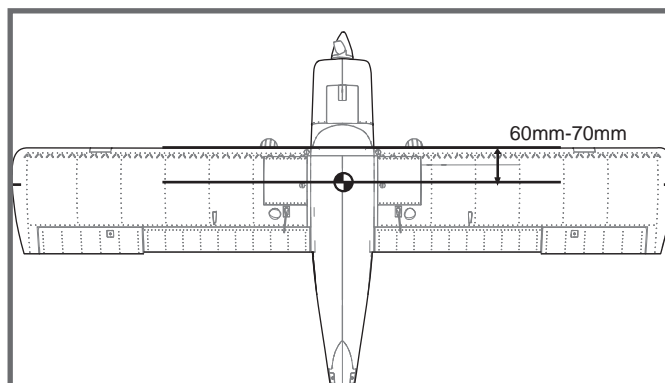
The table shows the factory settings for the control horns and servo arms. Fly the aircraft at the factory settings before making changes. After flying, you may choose to adjust the linkage positions for the desired control response.

	Horns	Arms	More control throw
Elevator			
Rudder			
Ailerons			
			Less control throw

Check the C.G. (Center of gravity)

When balancing your model, adjust the battery as necessary so the model is level or slightly nose down. This is the correct balance point for your model. After the first flight, the CG position can be adjusted for your personal preference.

1. The recommended Center of Gravity (CG) location for your model is (60-70mm) from the leading edge of the main wing (as shown) with the battery pack installed. Mark the location of the CG on top of the wing.
2. When balancing your model, support the plane at the marks made on the bottom of the main wing with your fingers or a commercially available balancing stand. This is the correct balance point for your model. Make sure the model is assembled and ready for flight before balancing.



Before flying the model

Find a suitable flying site

Find a flying site clear of buildings, trees, power lines and other obstructions. Until you know how much area will be required and have mastered flying your plane in confined spaces, choose a site which is at least the size of two to three football fields - a flying field specifically for R/C planes is best.

Never fly near people - especially children, who can wander unpredictably.

Perform the range check for your plane

As a precaution, an operational ground range test should be performed before the first flight each time you go out. Performing a range test is a good way to detect problems that could cause loss of control such as low batteries, defective or damaged radio components, or radio interference. This usually requires an assistant and should be done at the actual flying site you will be using.

First turn on the transmitter, then install a fully-charged battery into the fuselage. Connect the battery and install the hatch.

Remember, use care not to bump the throttle stick. Otherwise, the propeller/fan will turn and possibly cause damage or injury.

Note: Please refer to your Transmitter Manual that came with your radio control system to perform a ground range check. If the controls are not working correctly or if anything seems wrong, do not fly the model until you correct the problem. Make certain all the servo wires are securely connected to the receiver and the transmitter batteries have a good connection.

Monitor your flight time

Monitor and limit your flight time using a timer (such as on a wristwatch or in your transmitter if available). When the batteries are getting low you will usually notice a performance drop before the ESC cuts off motor power, so when the plane starts flying slower you should land. Often (but not always) power can be briefly restored after the motor cuts off by holding the throttle stick all the way down for a few seconds. To avoid an unexpected dead-stick landing on your first flight, set your timer to a conservative 4 minutes. When your alarm sounds you should land right away.

Flying course

Take off

While applying power, slowly steer to keep the model straight. The model should accelerate quickly. As the model gains flight speed you will want to climb at a steady and even rate. It will climb out at a nice angle of attack (AOA).

Flying

Always choose a wide-open space for flying your plane. It is ideal for you to fly at a sanctioned flying field. If you are not flying at an approved site always avoid flying near houses, trees, wires and buildings. You should also be careful to avoid flying in areas where there are many people, such as busy parks, schoolyards, or soccer fields. Consult laws and ordinances before choosing a location to fly your aircraft. After takeoff, gain some altitude. Climb to a safe height before trying technical manoeuvres, including high speed passes, inverted flight, loops, and point rolls.

Landing

Land the model when you hear the motor pulsing (LVC) or if you notice a reduction in power. If using a transmitter with a timer, set the timer so you have enough flight time to make several landing approaches.

The model's three point landing gear allows the model to land on hard surfaces. Align model directly into the wind and fly down to the ground. Fly the airplane down to the ground using 1/4-1/3 throttle to keep enough energy for proper flare. Before the model touches down, always fully decrease the throttle to avoid damaging the propeller or other components. The key to a great landing is to manage the power and elevator all the way to the ground and set down lightly on the main landing gear. After a few flights you will find the model can be set down lightly on the mains and you can hold the nose wheel off balancing the model on the mains until it slows and gently settles the nose.

Flying course

Maintenance

Repairs to the foam should be made with foam safe adhesives such as hot glue, foam safe CA, and 5min epoxy. When parts are not repairable, see the Spare Parts List for ordering by item number.

Always check to make sure all screws on the aircraft are tightened. Pay special attention to make sure the spinner is firmly in place before every flight.

Trouble shooting

Problem	Possible Cause	Solution
Aircraft will not respond to the throttlebut responds to other controls.	-ESC is not armed. -Throttle channel is reversed.	-Lower throttle stick and throttle trim to lowest settings. -Reverse throttle channel on transmitter.
Extra propeller noise or extra vibration.	-Damaged spinner, propeller, motor or motor mount. -Loose propeller and spinner parts. -Propellor installed backwards.	-Replace damaged parts. -Tighten parts for propeller adapter, propeller and spinner. -Remove and install propeller correctly.
Reduced flight time or aircraft underpowered.	-Flight battery charge is low. -propeller installed backward. -Flight battery damaged.	-Completely recharge flight battery. -Replace flight battery and follow flight battery instructions.
Control surface does not move, or is slow to respond to control inputs.	-Control surface, control horn, linkage or servo damage. -Wire damaged or connections loose.	-Replace or repair damaged parts and adjust controls. -Do a check of connections for loose wiring.
Controls reversed.	Channels are reversed in the transmitter.	Do the control direction test and adjust controls for aircraft and transmitter.
-Motor loses power -Motor power pulses then motor loses power.	-Damage to motor, or battery. -Loss of power to aircraft. -ESC uses default soft Low Voltage Cutoff(LVC).	-Do a check of batteries, transmitter, receiver, ESC, motor and wiring for damage(replace as needed). -Land aircraft immediately and recharge flight battery.
LED on receiver flashes slowly.	Power loss to receiver.	-Check connection from ESC to receiver. -Check servos for damage. -Check linkages for binding.

Spare parts list content

FMSRO101	Fuselage	FMSRO112	Hardwares (including control horns)
FMSRO102	Main Wing Set	FMSRO113	LED set
FMSRO103	Vertical Stabilizer	FMSRO114	Sticker
FMSRO104	Horizontal Stabilizer	FMSDJ015	Motor amout
FMSRO105	Cockpit	FMSDZ024	Motor shaft
FMSRO106	Spinner	FMSBM035	Motor board
FMSRO107	Scaled plastic parts	FMSPROP021	Propeller
FMSRO108	Wing struts	PRKV1050	3541-KV1050 motor
FMSRO109	Landing Gear/ Float Wire Set (including Y harness)	PRESC001	40A ESC
FMSRO110	Wheel set	FMSSER9GPW	9g Servo (with waterproof function)
FMSRO111	Linkage set	FMSFLT007	Float Set

User Manual of Brushless Speed Controller

IMPORTANT WARNINGS

- ESC is not responsible for your use of this product, or any damage or injuries you may cause or sustain as a result of its usage.
- Always place safety as priority when you use the product.
- An electric motor that is connected in combination with a battery and/or ESC may start unexpectedly and cause serious damage and so should always be used with care and respect.
- We recommend you always remove the propeller when working on a model with the power source connected.
- Follow and observe all local laws and by-laws relating to model flying when flying RC planes.
- Never fly over others or near crowds.

KEY FEATURES

1. Utilizes powerful next generation MOSFET with a low thermal signature, high peak current threshold and reliability.
2. Features high performance 32bit microprocessor as standard. Stronger computing ability and faster processing rates.
3. Super smooth start up and throttle throughout the power range.
4. Higher driving efficiency and more energy-saving.
5. Adjustable SBEC output voltage, 5V/6V. (40A/50A/60A/80A/100A have SBEC adjustable)
6. Multiple protection protocols: start-up, over-heat, low-voltage cutoff, signal loss, phase loss etc.
7. Supports wide range of high RPM type motors commonly found in today's market.
8. Fully programmable via optional ZTW mobile app or ZTW LCD programming card.

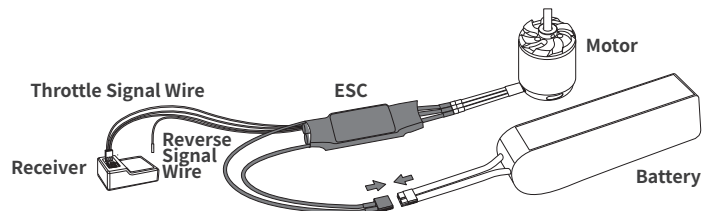
SPECIFICATION

Type	PN#Model	Cont./Burst Current(A)	Battery cell NiXX\Lipo	Weight (g)	BEC Output	Size(mm) L*W*H	User Program
Beatles 20A SBEC G2	3020211	20A/30A	5-12NC\2-4Lipo	25	5.5V/4A	60*25*10	Yes
Beatles 30A SBEC G2	3030211	30A/40A	5-12NC\2-4Lipo	25	5.5V/4A	60*25*10	Yes
Beatles 40A SBEC G2	3040211	40A/55A	5-12NC\2-4Lipo	37	5V/6V 4A	68*25*10	Yes
Beatles 50A SBEC G2	3050211	50A/65A	5-12NC\2-4Lipo	37	5V/6V 4A	68*25*10	Yes
Beatles 60A SBEC G2	3060211	60A/80A	5-18NC\2-6Lipo	50	5V/6V 8A	70*34*10	Yes
Beatles 80A SBEC G2	3080211	80A/100A	5-18NC\2-6Lipo	75	5V/6V 8A	90*37*10	Yes
Beatles 100A SBEC G2	3100211	100A/120A	5-18NC\2-6Lipo	80	5V/6V 8A	90*37*10	Yes

Wires Connection:

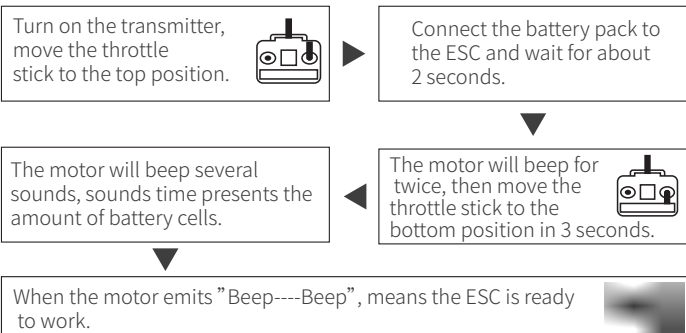
The speed controller can be connected to the motor by soldering directly or with high quality connectors. Always use new connectors, which should be soldered carefully to the cables and insulated with heat shrink tube. The maximum length of the battery pack wires shall be within 6 inches.

- Solder controller to the motor wires.
- Solder appropriate connectors to the battery wires.
- Insulate all solder connectors with heat shrink tubes.
- Plug the "JR" connector into the receiver throttle channel.
- Controller Red and Black wires connects to battery pack Red and Black wires respectively.

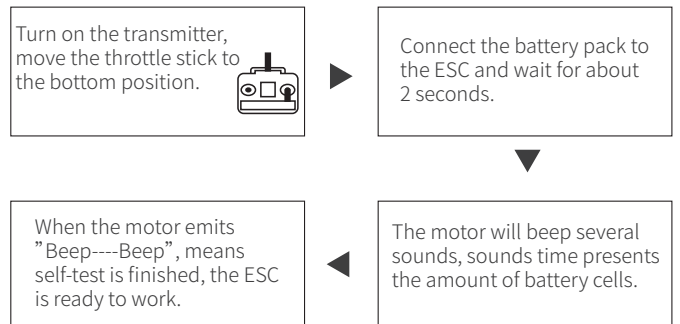


THROTTLE CALIBRATION

(Important: Please make the throttle calibration for the first time using ESC!!!)



NORMAL STARTUP PROCEDURE



User Manual of Brushless Speed Controller

PROGRAMMING ITEMS(The option written in bold font is the default setting)

1. SMR Function: **OFF**/ON

This function supports switching the motor rotation to decelerate when the airplane landing to the ground.

The factory default is OFF, the 1Pin signal wire is completely invalid at this time.

If you need to turn it on, using Phone App or transmitter to program it "ON", plug the 3 pin signal wire into the throttle channel, and plug the 1Pin signal wire into any 2-stage switch channel of the receiver, then turn on the transmitter 2-stage switch. The SMR function is turned on now, you can change the forward and reverse directions of the motor by flipping the 2-stage switch of the transmitter.

Warning: This function can only be effective when the throttle is below 50%, and it is only allowed to be used when the airplane is landing on the ground, otherwise it may cause the ESC to burn!

2. Brake Type: **OFF**/Soft/Mid/Hard

3. Timing: **Auto** /Low/Mid/High(5°/15°/25°)

4. Motor Rotation: **CW**/CCW

5. SR function: ON/**OFF** The synchronous rectification function makes ESC with higher driving efficiency and more energy-saving.

6. Battery cells: **Auto** /2S/3S/4S/5S/6S

7. Low Voltage Cutoff Threshold: OFF/NIMH50%/NIMH60%/**3.0V**/3.2V/3.4V/3.6V For example: using 3 lithium batteries and setting 3.0V as the low voltage cutoff value, then the low voltage protection threshold is: $3 \times 3.0 = 9.0V$

8. Low Voltage Cutoff Type: **Reduce Power**/Cut Off Power

Reduced power: When the voltage drops to the set low-voltage protection threshold, the ESC will reduce power to 70%.

Cut Off power: When the voltage drops to the set low-voltage protection threshold, the ESC will cut off the power immediately.

9.40A、50A、60A、80A、100A ESCs have adjustable SBEC 5V/6V, the default set is **5.0V**

10. Acceleration: **Normal**/Soft

PROTECTION FUNCTION

1. Start-up protection: If the motor fails to start normally within 2 seconds after pushing the throttle to start, the ESC will cut off the output power, and you need to make the throttle calibration again, then ESC can be restarted. Possible reasons: disconnection or poor connection between ESC and motor, the propeller or motor is blocked by other objects, the gearbox is damaged, etc.)

2. Over-heat protection: When the temperature of the ESC is over about 110°C, the ESC will automatically reduce the output power for protection, but will not fully shut down the power, reduce it to 70% of the full power at most to ensure the motor has enough power to avoid crashes.

3. Throttle signal loss protection: The ESC will reduce the output power if throttle signal is lost for 1 second, will cut off output to the motor if the throttle signal is lost over 2 seconds. If the throttle signal recovers during power down, the ESC will immediately resume throttle control. In this way, the ESC will not protect when the signal loss less than 2 seconds, only when the signal lost is over 2 seconds or longer time. And the ESC will reduce the output power gradually instead of cutting off it immediately, so the player has certain amount of time to save the plane, taking into account safety and practicality.

4. Over load protection: The ESC will cut off power or restart automatically when the load increased a lot suddenly, possible reason is the motor blocked.

ENTERING THE PROGRAMMING MODE

1. Turn on the transmitter, move the throttle stick to the top position.
2. Connect the battery pack to ESC.
3. Wait for 2 seconds, the motor will emit special tone like "beep-beep-beep"
4. Wait for another 3 seconds, the motor will emit special tone like "123", which means program mode entered.

PROGRAMMABLE ITEMS

After entering program mode, you will hear 11 tones in a loop with the following sequence.

Tones	Programmable items	
1). "beep"	SMR Function	(1 short tone)
2). "beep.beep"	Brake Type	(2 short tone)
3). "beep.beep.beep"	Motor Timing	(3 short tone)
4). "beep.beep.beep.beep"	Motor Rotation	(4 short tone)
5). "beep-"	SR Function	(1 long tone)
6). "beep- .beep"	Battery cells	(1 long 1 short)
7). "beep- .beep.beep"	Low Voltage Cutoff Threshold	(1 long 2 short)
8). "beep- .beep.beep.beep"	Low Voltage Cutoff Type	(1 long 3 short)
9). "beep- .beep.beep.beep.beep"	BEC Voltage	(1 long 4 short)
10). "beep-beep-"	Acceleration	(2 long tone)
11). "beep-beep- .beep"	Restore Factory Setup Defaults	(2 long 1 short)

Note: 1 long "beep- " = 5 short "beep"

SET ITEM VALUE

Moving the throttle stick to the bottom position within 2 seconds after one kind of following tones, this item will be selected. After the programmable item selected, then you will hear several tones in loop as follows on each programmable item, set the value matching to a tone by moving throttle stick to top position when you hear the tone, then the motor will emit special tone like "123", means this value is set and saved.

For example: If you want to set the motor rotation, when you hear four short tones of "Beep", moving the throttle stick to the bottom position within 2 seconds, means you enter the motor rotation menu. One short tone of "Beep" is forward direction(CW), two short tones of "Beep" is reverse direction(CCW). If you want to set to reverse direction(CCW), moving the throttle stick to the top position when you hear the two short tones of "Beep", then you will hear a special confirmation tone like "123", which means the "ccw" is set and saved.

Keeping the throttle stick at top, you will go back to programming mode and you can select other items; or moving the stick to bottom within 2 seconds will exit program mode directly).

User Manual of Brushless Speed Controller

PROGRAMMING TONE REFERENCE TABLE

Items \ Tones	"beep"	"beep.beep"	"beep.beep .beep"	"beep.beep .beep.beep"	"beep-"	"beep- - beep"	"beep- - beep.beep"
	1short tone	2short tone	3short tone	4short tone	1long	1long 1short	1long 2short
SMR Function	*OFF	ON					
Brake Type	*OFF	Soft Brake	Mid Brake	Hard Brake			
Motor Timing	*Auto	Low	Mid	High			
Motor Rotation	*CW	CCW					
SR Function	ON	*OFF					
Battery Cells	*Auto	2S	3S	4S	5S	6S	
Low voltage Cutoff Threshold	OFF	NIMH50%	NIMH60%	*3.0V	3.2V	3.4V	3.6V
Low Voltage Cutoff Type	*Reduce Power	Cut off Power					
BEC Voltage	*5V	6V					
Acceleration	*Normal	Soft					
Restore Factory Default Sets	Restore						

! Note: " * " value means default settings.

TROUBLE SHOOTING

Trouble	Possible Reason	Action
After powering up, ESC emits the sound of battery cells, but motor can't run .	ESC doesn't set throttle range.	Set throttle range again.
After powering up, motor doesn't run and doesn't emit any sound.	<ol style="list-style-type: none"> 1.Bad connection between ESC and battery. 2.Bad soldering cause bad contact. 3.Low voltage of the battery. 4.Quality problem of ESC. 	<ol style="list-style-type: none"> 1.Clean the connectors or replace them, check the connection polarity. 2.Solder the wires again. 3.Check battery pack, use full-charged battery. 4.Change ESC.
Motor does n' t work and no audible tone emitted after connecting the battery. Servos are not working either.	<ol style="list-style-type: none"> 1. Poor/loose Connection between battery Pack and ESC. 2. No power 3. Poor soldered connections 4. Wrong battery cable polarity 5. ESC throttle cable connected to receiver in the reverse polarity 	Check all the connections make sure you are doing it right.
Motor does not work but servos do	<ol style="list-style-type: none"> 1. Poor / loose connection between ESC and motor 2. Burnt motor coils 3. The battery pack voltage exceeds the acceptable range. 4. Throttle stick is not at the lowest position 5. The ESC throttle calibration has not set up 	<ol style="list-style-type: none"> 1. Check all the connections make sure you are doing it right. 2. Change a new motor. 3. Solder the wires again. 4. Check the battery pack, use full-charged battery. 5. Set throttle range again.
When the ESC is powered on, the motor does not work and an alarm sound (continuously beeping) will sound.	The throttle stick is not in the bottom position after power on.	Move the throttle stick to the bottom position.
Motor runs in reverse rotation	Wrong cables polarity between the ESC and the motor.	Swap any two of the three cable connections between the ESC and the Motor or access the Motor Rotation function via the ESC programming mode and change the pre-set parameters.
Motor stops running in flight.	Lost throttle signal	Check proper operation of the radio equipment. Check the placement of the ESC and the Receiver and check the route of the receiver' s aerial and ESC

Warnhinweise



WARNUNG: Lesen Sie die GESAMTE Bedienungsanleitung, um sich vor der Inbetriebnahme mit den Funktionen des Produkts vertraut zu machen.

Wenn das Produkt nicht ordnungsgemäß bedient wird, kann dies zu Schäden am Produkt oder persönlichem Eigentum führen und schwere Verletzungen verursachen. Dieses Produkt ist kein Spielzeug! Es muss mit Vorsicht und gesundem Menschenverstand betrieben werden. Andernfalls kann es zu Verletzungen oder Schäden am Produkt oder anderen Sachwerten führen. Dieses Produkt ist nicht für den Betrieb durch Kinder ohne direkte Aufsicht von Erwachsenen vorgesehen.

Diese Anleitung enthält Hinweise zu Sicherheit und Wartung. Es ist wichtig, dass vor der Verwendung alle Anweisungen und Warnungen in der Anleitung gelesen und befolgt werden, um Schäden oder schwere Verletzungen zu vermeiden.

Sicherheitsvorkehrungen

Als Benutzer dieses Produkts sind Sie allein dafür verantwortlich dieses Produkt so zu betreiben, dass weder Sie selbst noch andere gefährdet oder Schäden am Produkt oder Eigentum anderer verursacht werden.

Dieses Modell wird von einem Funksignal gesteuert, das von vielen Quellen außerhalb Ihrer Kontrolle gestört werden kann. Solche Störungen können zu einem vorübergehenden Kontrollverlust führen. Daher sollte immer einen Sicherheitsabstand zu Personen und Gebäuden eingehalten werden.

Altersempfehlung: Nicht für Kinder unter 14 Jahren. Dies ist kein Spielzeug.

- Betreiben Sie Ihr Modell niemals mit leeren Senderbatterien.
- Betreiben Sie Ihr Modell immer in einem offenen Bereich, abseits von Gebäuden, Verkehr oder Personen.
- Befolgen Sie die gesetzlichen Regelungen Ihres Landes zum Betrieb von ferngesteuerten Modellflugzeugen.
- Befolgen Sie sorgfältig die Anweisungen und Warnungen für dieses und alle unterstützenden Geräte, die Sie verwenden (Ladegeräte, wiederaufladbare Akkus usw.).
- Bewahren Sie alle Chemikalien, Kleinteile und elektrischen Geräte außerhalb der Reichweite von Kindern auf.
- Feuchtigkeit verursacht Schäden an der Elektronik. Vermeiden Sie, dass die Produkte Wasser ausgesetzt werden, die nicht speziell für diesen Zweck entworfen und geschützt sind.
- Nehmen Sie Teile des Produkts niemals in den Mund, da dies zu schweren Verletzungen oder sogar zum Tod führen kann.

Hinweise zu LiPo-Akkus

VORSICHT: Befolgen Sie immer die Anweisungen des Herstellers zur sicheren Verwendung und Entsorgung von Batterien. Durch falsche Handhabung von Li-Po-Batterien können Feuer, Sachschäden oder schwere Verletzungen verursacht werden.

- Seien Sie sich über alle Risiken klar, die mit dem Umgang von Lithium Polymer (LiPo) Akkus verbunden sind. Wenn die Akkus zu irgendeinem Zeitpunkt anschwellen oder aufblähen, verwenden Sie diese auf keinen Fall mehr!
- Um die Lebensdauer des Akkus zu verlängern sollten dieser bei Zimmertemperatur in einem trockenen Bereich gelagert werden. Bewahren Sie den Akku oder das Modell nicht in einem Auto oder in direktem Sonnenlicht auf. Wenn der Akku über einen längeren Zeitraum zu hohen Temperaturen ausgesetzt wird kann dieser beschädigt werden oder sogar Feuer fangen.
- Verwenden Sie niemals ein NiMh-Ladegerät, um Li-Po-Akkus aufzuladen. Wenn der Akku nicht mit einem Li-Po-kompatiblen Ladegerät geladen wird, kann dies zu einem Brand führen, der zu Personen- und Sachschäden führen kann.
- Niemals Li-Po Zellen unter 3V entladen.
- Lassen Sie Akkus beim Laden niemals unbeaufsichtigt.
- Laden Sie niemals beschädigte Akkus auf.
- Aufladen des LiPo-Akkus: Verwenden Sie ein Ladegerät, das die Li-Po-Batterie sicher aufladen kann. Lesen Sie vor dem Gebrauch die Anweisungen des Ladegeräts sorgfältig durch. Achten Sie beim Laden des Akkus darauf, dass sich der Akku auf einer hitzebeständigen Oberfläche befindet. Es wird auch dringend empfohlen, den Li-Po Akku in einem feuerbeständigen LiPo-Koffer zu laden. LiPo Koffer finden Sie bei Ihrem Fachhändler oder im Internet.

Einleitung

Die Welt ist immer voll von Außenseitern, und die Maule war einer von ihnen. Können Sie das glauben? Während die ganze Welt sich darauf einstellte höher und schneller zu fliegen, machte Maule das Gegenteil - sie wollte langsamer und tiefer fliegen - und sie hat es geschafft.

Das FMS 1500-mm-Modell Maule verfügt über tolle Langsamflug- sowie Kurzstart- und Landeeigenschaften (STOL). Durch die leichte und haltbare EPO-Hartschaumkonstruktion und die funktionalen Klappen ist die FMS Maule in der Lage, innerhalb von drei Metern abzuheben.

Gemäß dem Produktkonzept "Perfektes Aussehen, exzellente Leistung", enthält die FMS Maule eine Fülle von Details. Von den kristallklaren Kabinenfenstern und der Innenausstattung bis hin zu geformten Panel-Linien, Antennen, Nieten, Wirbelgeneratoren und funktionalen LED-Lichtern.

Die Maule kann mit zwei Fahrwerkssätzen ausgestattet werden - einem Reifensatz und einem Schwimmersatz. Das eingebaute 3S/4S compatible Brushless-Antriebssystem liefert reichlich Leistung, um von jedem Untergrund abheben zu können.

Genießen Sie ein unvergleichliches Flugvergnügen.

- Maßstabsgetreue Details: Cockpit-Innenraum, Pilot, geformte Panel-Linien, Antennen, Nieten, Wirbelgeneratoren.
- Klebefreier Zusammenbau
- Funktionsklappen für langsames Handling und STOL
- Werkseitig installierte und betriebsbereite LED-Beleuchtung
- Leichte und haltbare EPO-Schaumkonstruktion
- Steckbare, zweiteilige Tragflächenkonstruktion mit klappbaren Flügelstreben
- Überdimensionierte Reifen und hochbelastbares Drahtfahrwerk
- Optionales Schwimmerset mit lenkbarem Wasserruder

Inhalt

Einleitung	16
Lieferumfang	16
Montage des Modells	17
Einsetzen des Akkus	20
Anschließen an den Empfänger	21
Flugvorbereitungen	21
Montage der Gabelköpfe	22
Ruderhorn- und Servoarm-Einstellungen	22
Schwerpunkt	23
Vor dem Erstflug	23
Fluggrundlagen	23
Problemlösungen	24
Ersatzteile	24
Anleitung für den Brushless Regler	25

Lieferumfang

Bitte überprüfen Sie vor der Endmontage ob alle Teile des Modells enthalten sind. Das folgende Bild zeigt den Inhalt des Kits.

Sollten Teile fehlen notieren Sie sich bitte den Namen und die Teilenummer (siehe Ersatzteilliste am Ende dieser Bauanleitung) und kontaktieren Sie Ihren lokalen Händler oder senden Sie uns eine E-Mail an info@d-power-modellbau.com.

Technische Daten

Spannweite: 1500mm /59in

Länge: 1100mm /43.3in

Fluggewicht: ~ 1871g

Motor: 3541-KV1050

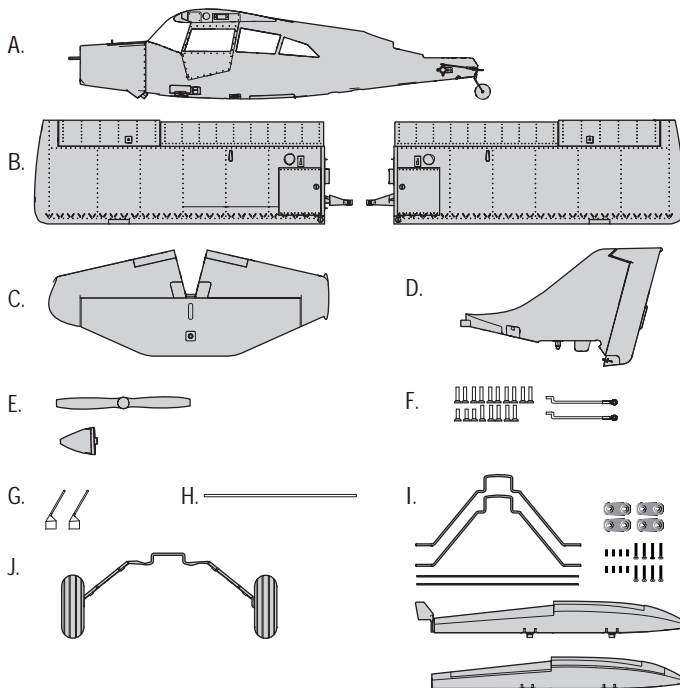
Flächenbelastung: 52.4 g/dm²

Flächeninhalt: 35.7 dm²

Regler: 40A

Servo: 9g*7

Empfohlener Akku: 11.1V 2200-3200mAh 50C



A:Rumpf

B:Tragflächen

C:Höhenleitwerke

D:Seitenleitwerk

E:Propeller set

F:Anlenkungen und Schrauben

G:Antenne

H:Flächenrohr

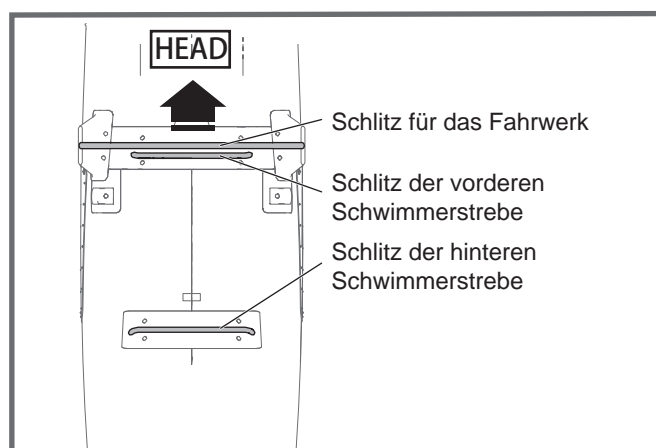
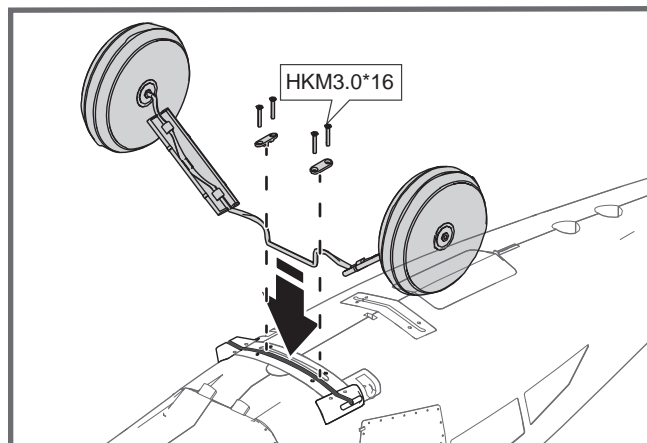
I : Flotteurs et accessoires

J:Schwimmer set

Montage des Modells

Montage des Fahrwerks

1. Schieben Sie das Fahrwerk in den entsprechenden Schlitz auf der Unterseite des Rumpfes.
2. Sichern Sie das Fahrwerk mit den entsprechenden Schrauben.

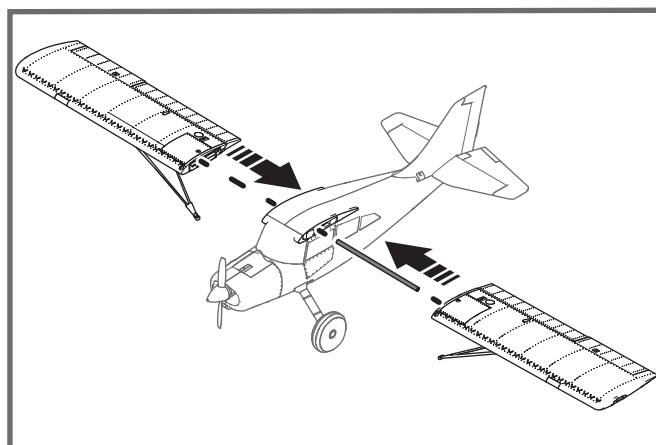


Montage der Tragflächen

1. Das Flächenrohr in den Rumpf schieben, dann die beiden beide Flügel über das Rohr und in die Flügelnut des Rumpfes schieben.
2. Verbinden Sie die Anschlüsse von Servo und LED-Licht der Tragflächen mit dem Rumpf.

Hinweis: Achten Sie darauf, dass die Anschlüsse in der Tragfläche mit den richtigen Kabel-Verlängerungen des Rumpfes verbunden sind.

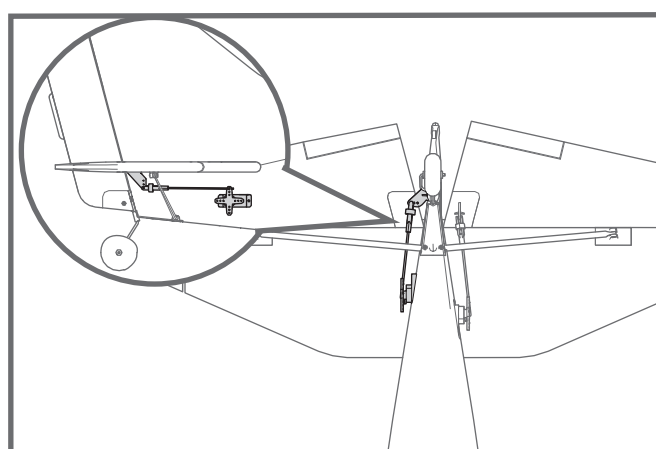
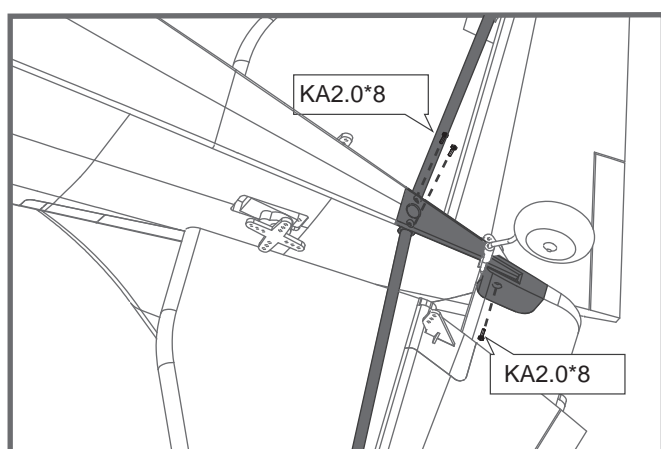
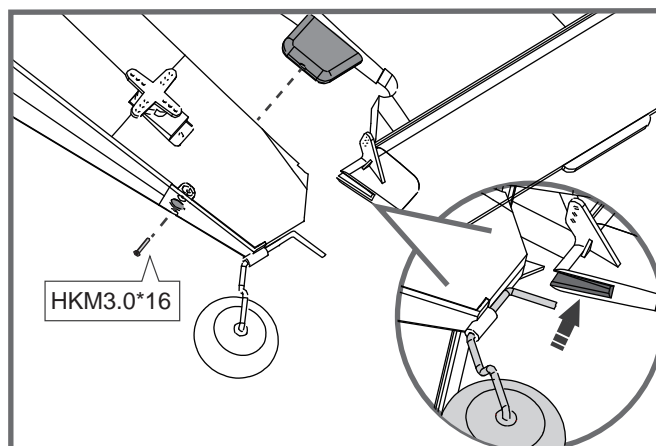
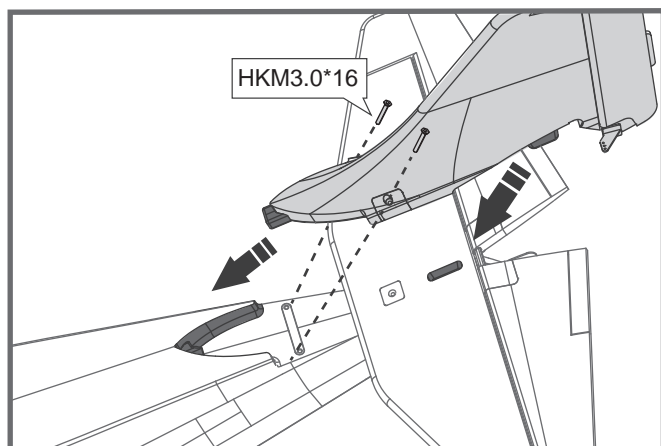
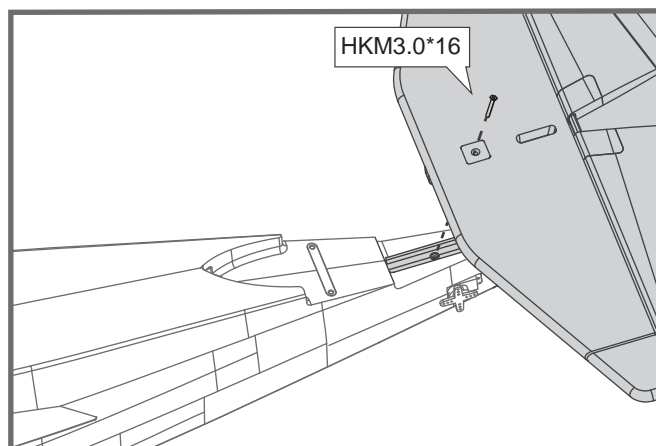
3. Befestigen Sie die Tragflächen mit den vier mitgelieferten Schrauben wie abgebildet.
4. Befestigen Sie die Stützstäbe mit den beiden mitgelieferten Schrauben am Rumpf, wie abgebildet.



Montage des Modells

Montage des Heckleitwerks

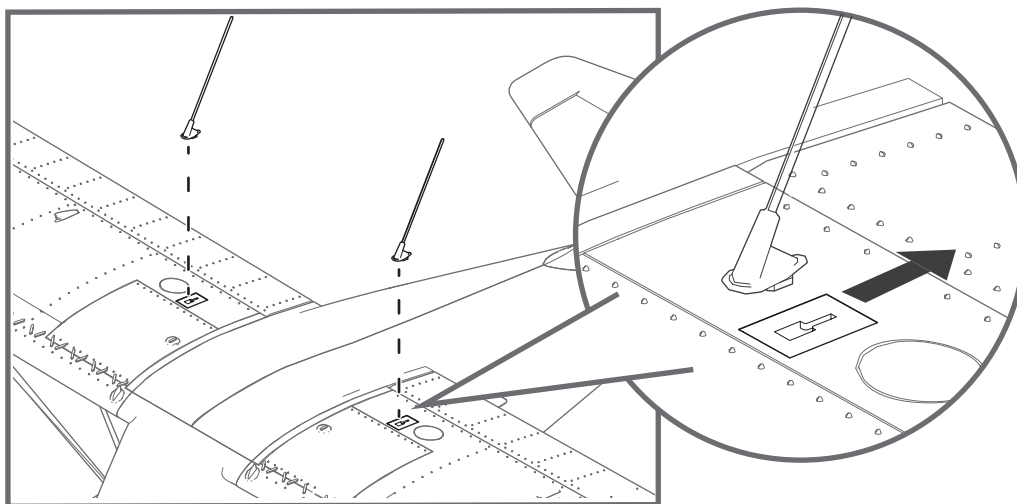
1. Setzen Sie das Höhenleitwerk in den hinteren Schlitz des Rumpfes ein und befestigen Sie es mit der mitgelieferten Schraube.
2. Richten Sie das Seitenleitwerk aus und setzen Sie es in den Schlitz im Höhenleitwerk und im hinteren Teil des Rumpfes ein, wie abgebildet, und befestigen Sie das Seitenleitwerk mit den beiden mitgelieferten Schrauben von der Oberseite des Rumpfes aus.
3. Befestigen Sie das Seitenleitwerk mit der mitgelieferten Schraube von der Unterseite des Rumpfes aus und führen Sie den Spornraddraht wie abgebildet in den Schlitz des Seitenleitwerks ein.
4. Biegen Sie die Spornstreben leicht und führen Sie sie in die Schlitz am Rumpf ein. Befestigen Sie die Streben mit den beiden mitgelieferten Schrauben und fixieren Sie die Spornradbaugruppe mit der einen mitgelieferten Schraube.
5. Verbinden Sie die Gabelköpfe der Höhen- und Seitenrunderstangen mit den Steuerhörnern äußersten Löchern.



Montage des Modells

Montage der Antenne

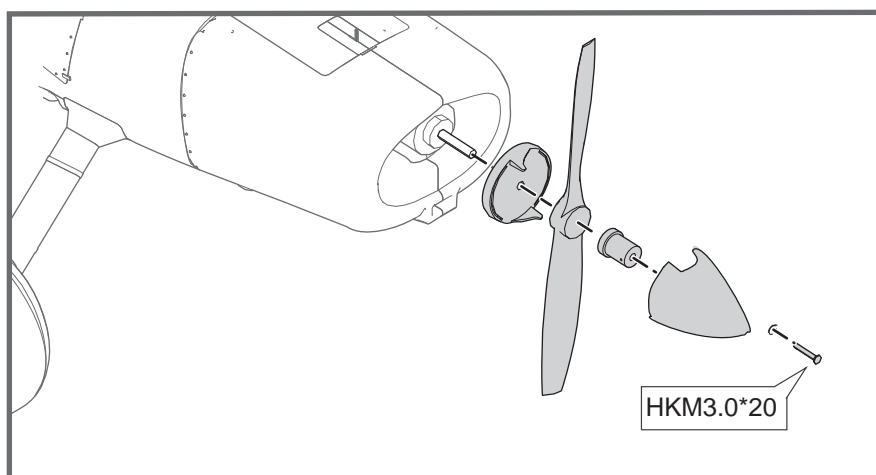
Stecken Sie die Antennen wie abgebildet ein und befestigen Sie sie, indem Sie sie leicht nach hinten schieben.



Montage des Propellers

1. Montieren Sie die Spinnerrückplatte, den Propeller, die Propellerscheibe und den Spinneradapter.
2. Ziehen Sie den Spinneradapter fest, bis der Propeller sicher befestigt ist.
3. Sichern Sie den Spinner mit der mitgelieferten Schraube.

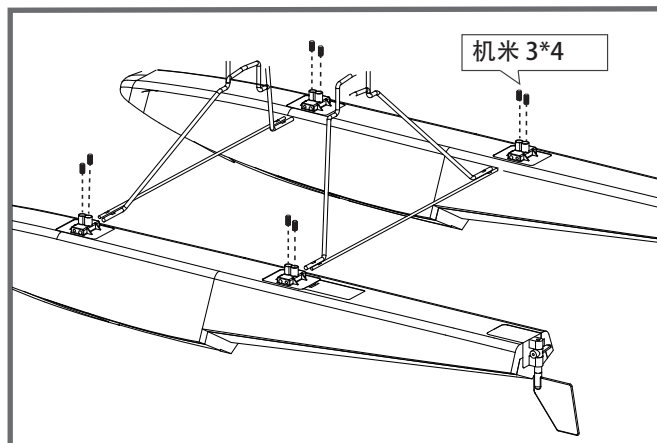
Hinweis: Die Drehrichtung des Motors sollte im Uhrzeigersinn sein (Ansicht von hinten). Demontieren Sie den Propeller in umgekehrter Reihenfolge.



Montage des Modells

Montage der Schwimmer

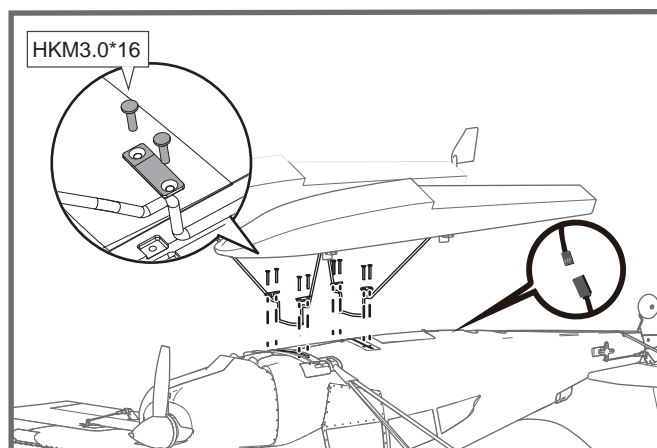
1. Montieren Sie die beiden Querträger und die vorderen und hinteren Schwimmerstreben zwischen den linken und rechten Schwimmern wie abgebildet. Sichern Sie die Baugruppe mit den acht mitgelieferten Madenschrauben.



2. Setzen Sie die vorderen und hinteren Streben in die Schwimmerschlitze an der Unterseite des Rumpfes ein und befestigen sie mit den acht mitgelieferten Schrauben und Klammern.

3. Schließen Sie das Servokabel des Schwimmers an die Ruderverlängerung im Rumpf.

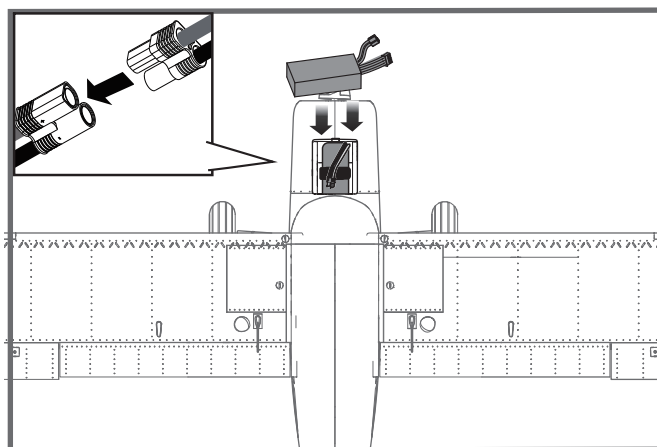
HINWEIS: Stellen Sie sicher, dass die Servostecker fest eingesteckt sind.



Einstezen des Akkus

1. Nehmen Sie die Haube ab.
2. Befestigen Sie den Akku mit dem Klettband.
3. Schieben Sie den geladenen Akku mit den Kabeln nach hinten in bis ganz nach vorne im Akkufach.

Hinweis: Der Schwerpunkt des Modells kann durch Verschieben des Akkus verändert werden. Der korrekte Schwerpunkt hat Auswirkungen auf die Flugperformance.



Anschließen an den Empfänger

Die Kabel von der Servosteckerleiste sollten in der dargestellten Reihenfolge an Ihren Empfänger angeschlossen werden. Beachten Sie, dass die LEDs von jedem freien Kanal des Empfängers gespeist werden können. Stecken Sie die Kabel in die Aussparung an der Rückseite der Batterieklappe.

HINWEIS: Bei Flugzeugen, die mit Wölbklappen ausgerüstet sind, schließen Sie bitte die Wölbklappenservos an CH6 an. Die LED-Leuchten können in jeden freien Kanal eingesteckt werden.

		Receiver
Aileron	1	Channel-1 — Aile
Elevator	2	Channel-2 — Elev
Throttle	3	Channel-3 — Thro
Rudder	4	Channel-4 — Rudd
Gear	5	Channel-5 — Gear
Flap	6	Channel-6 — Flap

Flugvorbereitungen

Wichtige Informationen zum Regler

1. Der eingebaute Regler ist mit einer Sicherheitsschaltung versehen. Sollte der Akku angeschlossen sein und der Gashebel nicht auf niedrig / Motor aus stehen, wird der Motor nicht starten. Wird der Gashebel ganz nach unten bewegt erzeugt der Regler eine Tonserie. Töne in der gleichen Höhe geben die Anzahl der Zellen an die der Regler gezählt hat. Diese ist gleich mit der Zellenanzahl des Akkus. Der Regler ist jetzt scharf geschaltet und startet den Motor wenn der Gashebel bewegt wird.
2. Motor und Regler sind bereits verkabelt und auch die Drehrichtung des Motors sollte korrekt sein. Sollte der Motor in die falsche Richtung drehen, tauschen Sie zwei der drei Motoranschlusskabel um die Richtung wieder zu ändern.
3. Der Regler ist mit einer optionalen Bremse ausgestattet. Wir empfehlen das Modell mit der deaktivierten Bremse zu fliegen. Es ist möglich die Bremse versehentlich zu aktivieren wenn der Akku mit dem Regler verbunden wird und der Gashebel auf Vollgas steht. Um die Bremse wieder auszuschalten gehen Sie mit dem Gashebel wieder auf Vollgas und verbinden den Akku. Vom Motor ertönt ein Piepton. Bewegen Sie den Gashebel auf Leerlauf oder Motor aus. Der Motor ist dann betriebsbereit und die Bremse ausgeschaltet.
4. Akkuauswahl und Einbau: Wir empfehlen einen Lipo Akku mit 22.2V 5000-6000mAh 50C. Sollten Sie einen anderen Akku verwenden muß dieser mindestens die gleichen Spezifikationen in Leistung und Abmessung aufweisen. damit der Schwerpunkt nicht wesentlich geändert wird.

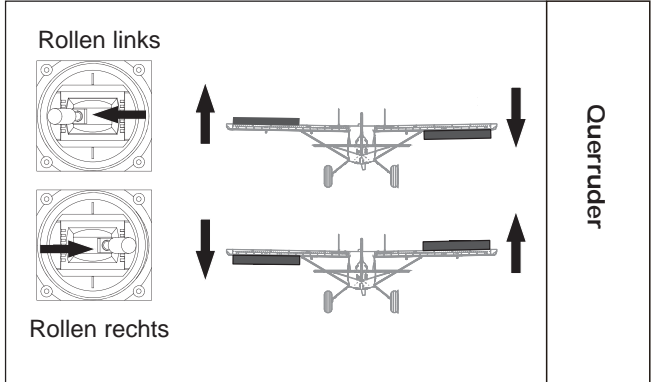
Testen der Steuerfunktionen

Bevor Sie mit diesem Schritt beginnen, binden Sie bitte der Anleitung ihres Senders entsprechend den Empfänger mit dem Sender.

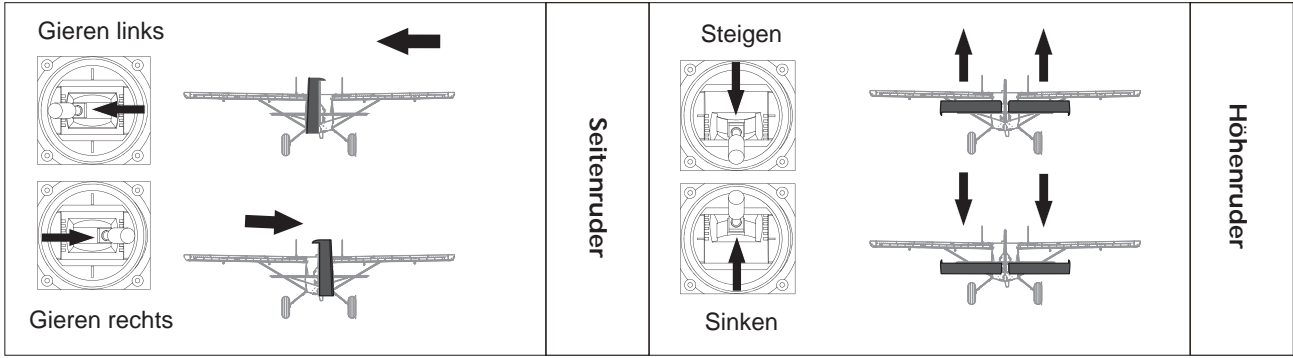
ACHTUNG: Um mögliche Verletzungen zu vermeiden darf der Propeller bei dem Testen der Ruder NICHT auf der Welle montiert sein. Armieren Sie den Regler NICHT und schalten auch nicht den Sender ein bevor es in der Anleitung des Senders vorgeben wird.

TIPP: Stellen Sie sicher, dass alle Steuerhebel auf dem Sender auf der neutralen Position sind und der Gashebel auf Motor aus. Stellen Sie sicher, dass beide Querruder den gleichen Weg im Verhältnis zum Steuerknüppelausschlag ausschlagen.

Bewegen Sie die Steuerhebel des Sender um sicher zu stellen, dass sich die Ruder korrekt bewegen. Sehen Sie dazu die Abbildungen unten. Sollten die Ruder in die falsche Richtung arbeiten reversieren Sie die Funktion. Lesen Sie dazu bitte in der Anleitung des Sender nach.



Flugvorbereitungen



Ruderausschläge

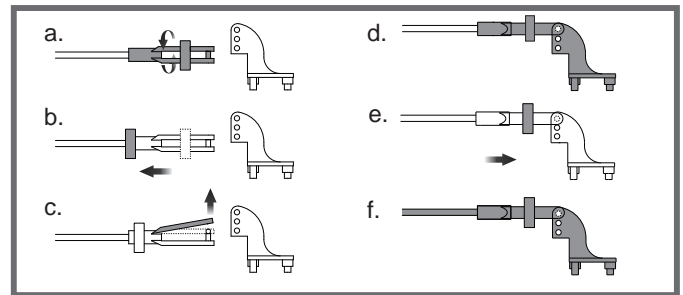
Die empfohlenen Ruderausschlag-Einstellungen sind (Dual Rate):

Tipp: Fliegen Sie das Modell beim ersten Flug mit "normalen Ausschlägen". Wenn Sie zum ersten Mal "maximale Ausschläge" verwenden, sollten Sie bei niedrigen bis mittleren Geschwindigkeiten fliegen.

	Maximale Ausschläge	Normale Ausschläge
Höhenruder	18mm oben / unten	14mm oben / unten
Querruder	16mm oben / unten	12mm oben / unten
Seitenruder	28mm links / rechts	20mm links / rechts

Montage der Gabelköpfe

1. Ziehen Sie den Ring vom Gabelkopf zum Gestänge.
2. Spreizen Sie den Gabelkopf vorsichtig und führen Sie den Gabelkopfstift in das gewünschte Loch im Ruderhorn ein.
3. Befestigen Sie den Ring um den Gabelkopf am Ruderhorn zu halten.



Ruderhorn- und Servoarm-Einstellungen

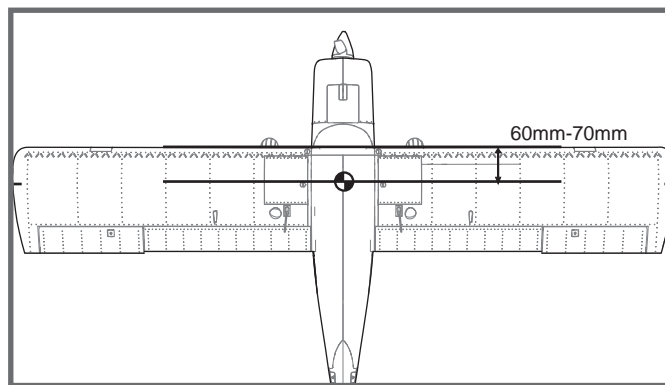
Die Tabelle zeigt die Werkseinstellungen für die Ruderhörner und Servoarme. Fliegen Sie das Flugzeug mit den Werkseinstellungen, bevor Sie Änderungen vornehmen. Nach dem Flug können Sie die Einstellungen nach Ihren Wünschen anpassen.

	Ruderhorn	Servoarm	Mehr Ruderausschlag
Höhenruder			
Seitenruder			
Querruder			
			Weniger Ruderausschlag

Einstellen des Schwerpunkts

Setzen Sie zum Ausbalancieren des Schwerpunktes den Antriebsakku ein. Richten Sie den Akku so aus, dass das Modell gerade oder mit der Nase leicht nach unten zeigt. Nach den ersten Flügen können Sie dann den Schwerpunkt nach ihren persönlichen Vorlieben einrichten.

1. Der empfohlene Schwerpunkt für das Modell befindet sich mit eingesetztem Akku 60-70mm von der Tragflächen vorderkante nach hinten gemessen. Markieren Sie den Schwerpunkt auf der Tragflächenoberseite.
2. Balancieren Sie das Modell auf einer Schwerpunktwaage aus. Bitte beachten Sie dass das Modell dabei flugfertig ausgerüstet sein muss.



Vor dem Erstflug

Finden Sie einen geeigneten Flugplatz

Finden Sie einen Flugplatz frei von Gebäuden, Bäumen, Stromleitungen und anderen Hindernissen. Bis Sie wissen, wie viel Fläche Sie zum fliegen brauchen, wählen Sie einen Platz der mindestens die Größe von 2 bis 3 Fussballfeldern hat. Wählen Sie am besten einen RC Flugplatz eines Modellflugvereins. Fliegen Sie dabei niemals in der Nähe von Menschen - besonders von Kindern, die unvorhersehbar handeln könnten.

Führen Sie einen Reichweitentest für Ihr Modell durch

Als Vorsichtsmaßnahme sollte vor jedem Flug ein Reichweitentest durchgeführt werden, um Probleme zu erkennen, die zu einem Verlust der Kontrolle führen könnten (z.B. schwache Batterien, defekte oder beschädigte Fernsteuerungskomponenten, Funkstörungen). Dies erfordert einen Kollegen oder Assistenten.

Schalten Sie zuerst den Sender ein und schließen Sie einen vollgeladenen Akku im Modell an. Achten Sie darauf dass sich der Gasknüppel in Neutralstellung befindet. Andernfalls könnten Propeller oder Lüfter Schäden oder Verletzungen verursachen.

Hinweis: Lesen Sie zum Reichweitentest auch die Bedienungsanleitung Ihrer Fernsteuerung.

Überwachen Sie Ihre Flugzeit

Als Vorsichtsmaßnahme sollte vor jedem Flug ein Reichweitentest durchgeführt werden, um Probleme zu erkennen, die zu einem Verlust der Kontrolle führen könnten (z.B. schwache Batterien, defekte oder beschädigte Fernsteuerungskomponenten, Funkstörungen). Dies erfordert einen Kollegen oder Assistenten.

Schalten Sie zuerst den Sender ein und schließen Sie einen vollgeladenen Akku im Modell an. Achten Sie darauf dass sich der Gasknüppel in Neutralstellung befindet. Andernfalls könnten Propeller oder Lüfter Schäden oder Verletzungen verursachen.

Fluggrundlagen

Starten

Beschleunigen Sie das Modell vorsichtig und steuern Sie es langsam um es gerade zu halten. Erhöhen Sie die Beschleunigung und halten Sie eine gleichmäßige Geschwindigkeit um das Modell in einem schönen Anstellwinkel in die Luft steigen zu lassen.

Fliegen

Wählen Sie immer einen weiten und offenen Platz um das Modell zu fliegen. Besuchen Sie einen RC Flugplatz eines Modellflugvereins. Fliegen Sie auf keinen Fall an Orten, an denen der Betrieb eines ferngesteuerten Flugzeugs nicht zulässig ist (Flughäfen, Naturschutzgebiete, Siedlungen, ...). Nach dem Start bringen Sie Ihr Modell auf eine sichere Flughöhe, bevor Sie Flugmanöver wie Rollen, Loops oder ähnliches ausprobieren.

Landen

Landen Sie das Modell, sobald Sie eine Leistungsreduzierung bemerken oder Ihr eingestellter Timer ertönt. Stellen Sie Ihren Timer so ein, dass Ihnen genug Flugzeit bleibt, um mehrere Landeanflüge zu haben. Ist das Modell mit einem Fahrwerk ausgestattet können Sie auf harten Pisten landen. Richten Sie das Modell direkt gegen den Wind aus und setzen Sie mit 1/4 bis 1/3 Gas zur Landung an. Bevor das Modell aufsetzt sollte der Gasknüppel in der 0-Stellung stehen um Schäden am Propeller oder anderen Komponenten zu vermeiden.

Instandhaltung

Reparaturen am Schaummodell sollten mit schaumsicheren Klebstoffen wie Heißkleber, Sekundenkleber speziell für Schaumstoff oder 5.min Epoxy erfolgen. Wenn Teile nicht reparierbar sind finden Sie am Ende dieser Anleitung die Ersatzteilliste mit allen Bestellnummern. Überprüfen Sie vor und nach jedem Flug ob alle Schrauben am Modell festgezogen sind. Achten Sie insbesondere darauf, dass Spinner und Luftschaube vor jedem Flug fest sitzen und frei drehen.

Problemlösungen

Problem	Mögliche Ursache	Lösung
Modell nimmt kein Gas an, andere Steuerungsbefehle funktionieren aber	-Regler reagiert nicht -Gaskanal ist umgekehrt	-Gasknüppel ist nicht ganz unten oder Trimmung zu hoch -Gaskanal am Sender umkehren
Ungewöhnliche Propellergeräusche oder Vibrationen	-Spinner, Propeller, Motor oder Motorhalterung defekt -Spinner oder Propeller lose -Propeller falsch herum montiert	-Defekte Teile austauschen -Lose Teile befestigen -Propeller richtig montieren
Zu kurze Flugdauer oder Antrieb ist nicht kraftvoll genug	- Flugakku ist zu leer - Propeller falsch herum montiert - Flugakku defekt	- Vollständiges Aufladen des Flugakkus - Flugakku ersetzen
Ruder bewegen sich nicht oder reagieren nur langsam auf Steuerbefehle	- Ruder, Ruderhörner, Anlenkung oder Servo beschädigt - Kabel beschädigt oder Servostecker lose	- Austauschen oder Reparieren der defekten Teile - Kabel und Stecker überprüfen
Ruder schlagen in die falsche Richtung aus	Kanäle auf dem Sender sind umgekehrt	Testen der Servowegeinstellungen und Konfiguration der Kanäle am Sender
- Motor verliert Leistung	- Motor oder Akku defekt - Stromzufuhr unterbrochen	- Akku, Empfänger, Regler, Motor und Verkabelung überprüfen (austauschen bei Defekt) - Modell unverzüglich landen und überprüfen
LED am Empfänger blinkt langsam	Empfänger hat keinen Strom	- Überprüfen der Verbindung zwischen Regler und Empfänger. - Servos auf Defekt überprüfen. - Überprüfen ob der Empfänger korrekt mit dem Sender gebunden ist

Ersatzteilliste

FMSRO101	Rumpf	FMSRO112	Hardware Set (einschließlich Steuerhörnern)
FMSRO102	Tragflächen Set	FMSRO113	LED-Satz
FMSRO103	Höhenleitwerk	FMSRO114	Aufkleber
FMSRO104	Seitenleitwerk	FMSDJ015	Motorhalter
FMSRO105	Cockpit	FMSDZ024	Motorwelle
FMSRO106	Spinner	FMSBM035	Motorplatine
FMSRO107	Scale Kunststoffteile Set	FMSPROP021	Luftschraube
FMSRO108	Flügelstreben	PRKV1050	3541-KV1050-Motor
FMSRO109	Fahrwerk/Schwimmerdraht-Set (einschließlich Y-Kabelbaum)	PRESC001	40A Regler
FMSRO110	Räder Set	FMSSER9GPW	9g Servo (wasserdicht)
FMSRO111	Anlenkung Set	FMSFLT007	Schwimmer-Set

*Visitez notre site internet pour voir les photos de ces produits : www.fmsmodel.com
Saisissez le mot "ESC" dans la case de recherche pour obtenir le manuel d'utilisation du contrôleur.*

Anleitung für den Brushless Regler

WICHTIGE WARNHINWEISE

- ESC ist nicht verantwortlich für die Verwendung dieses Produkts oder für Schäden oder Verletzungen, die Sie durch die Verwendung des Produkts verursachen oder erleiden könnten.
- Al Stellen Sie bei der Verwendung des Produkts immer die Sicherheit in den Vordergrund.
- Ein Elektromotor, der in Verbindung mit einem Akku und/oder ESC angeschlossen ist, kann unerwartet anlaufen und schwere Schäden verursachen.damage
- Wir empfehlen Ihnen, den Propeller immer zu entfernen, wenn Sie an einem Modell arbeiten, an dem die Stromquelle angeschlossen ist.
- Befolgen und beachten Sie beim Fliegen von RC-Flugzeugen alle örtlichen Gesetze und Verordnungen zum Modellflug.
- Fliegen Sie niemals über andere Personen oder in der Nähe von Menschenmengen.

SCHLÜSSEL-EIGENSCHAFTEN

1. Verwendet leistungsstarke MOSFETs der nächsten Generation mit geringer Wärmesignatur, hoher Spitzenstromschwelle und Zuverlässigkeit.
2. Standardmäßig mit leistungsstarkem 32-Bit-Mikroprozessor ausgestattet. Stärkere Rechenleistung und schnellere Verarbeitungsraten.
3. Super sanftes Anfahren und Drosseln über den gesamten Leistungsbereich.
4. Höhere Fahreffizienz und mehr Energieeinsparung.
5. Einstellbare SBEC-Ausgangsspannung, 5V/6V (40A/50A/60A/80A/100A) haben SBEC einstellbar)
6. Mehrere Schutzprotokolle: Anlauf, Überhitzung, Unterspannung, Unterspannungsabschaltung, Signalverlust, Phasenverlust usw.
7. Unterstützt eine breite Palette von Motoren mit hohen Drehzahlen, die auf dem heutigen Markt.
8. Vollständig programmierbar über optionale ZTW Mobile App oder ZTW LCD Programmierkarte.

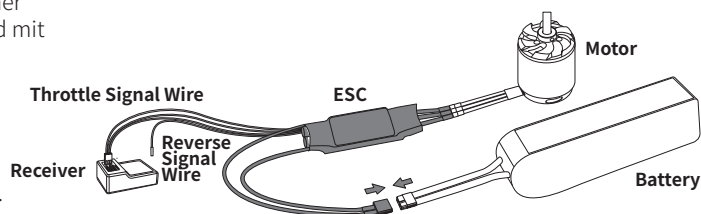
Spezifikationen

Typ	Modell Nr.	Strom (A)	Zellen NiXX/LiPo	Gewicht (g)	BEC Ausgang	Größe (mm) LxBxH	Benutzer Programm
Beatles 20A SBEC G2	3020211	20A/30A	5-12NC\2-4Lipo	25	5.5V/4A	60*25*10	Ja
Beatles 30A SBEC G2	3030211	30A/40A	5-12NC\2-4Lipo	25	5.5V/4A	60*25*10	Ja
Beatles 40A SBEC G2	3040211	40A/55A	5-12NC\2-4Lipo	37	5V/6V 4A	68*25*10	Ja
Beatles 50A SBEC G2	3050211	50A/65A	5-12NC\2-4Lipo	37	5V/6V 4A	68*25*10	Ja
Beatles 60A SBEC G2	3060211	60A/80A	5-18NC\2-6Lipo	50	5V/6V 8A	70*34*10	Ja
Beatles 80A SBEC G2	3080211	80A/100A	5-18NC\2-6Lipo	75	5V/6V 8A	90*37*10	Ja
Beatles 100A SBEC G2	3100211	100A/120A	5-18NC\2-6Lipo	80	5V/6V 8A	90*37*10	Ja

Anschluss der Kabel:

Der Geschwindigkeitsregler kann mit dem Motor durch Löten direkt oder mit hochwertigen Steckern verbunden werden. Verwenden Sie immer neue Steckverbinder, die sorgfältig an die Kabel gelötet und mit und mit Schrumpfschlauch isoliert werden. Die maximale Länge der Akkupackkabeln darf nicht länger als 6 Zoll sein.

- Löten Sie den Regler an die Motorkabel.
- Löten Sie geeignete Steckverbinder an die Akkudrähte.
- Alle Lötverbinder mit Schrumpfschläuchen isolieren.
- Stecken Sie den " JR"-Stecker in den Drosselkanal des Empfängers.
- Das rote und schwarze Kabel des Reglers wird mit dem roten bzw. schwarzen Kabel des Akkus verbunden. Schwarzes Kabel.



GAS-KALIBRIERUNG

(Wichtig: Bitte führen Sie die Gas-Kalibrierung zum ersten Mal mit dem Regler durch!!!)

Schalten Sie den Sender ein, bringen Sie den Gasknüppel Knüppel in die oberste Position.



Schließen Sie den Akkupack an den den Regler und warten Sie etwa 2 Sekunden.

Der Motor piept einige Male. Anzahl der Töne zeigt die Menge der Batteriezellen an.

Der Motor piept für zweimal, dann bewegen Sie den Gasknüppel in die in 3 Sekunden in die unterste Position.



Wenn der Motor einen "Beep----Beep" abgibt, ist der Regler bereit zu arbeiten.

NORMALER STARTVORGANG

Schalten Sie den Sender ein, bringen Sie den Gasknüppel in die unterste Position.



Schließen Sie den Akkupack an den den Regler und warten Sie etwa 2 Sekunden

Wenn der Motor ein "Beep----Beep" ausgibt ist der Selbsttest beendet und Regler ist bereit zu arbeiten.

Der Motor piept einige Male. Anzahl der Töne zeigt die Menge der Batteriezellen an.

Anleitung für den Brushless Regler

PROGRAMMIERUNG (Die fettgedruckte Schrift ist die Standardeinstellung)

1. SMR Funktion: **AUS**/EIN

Diese Funktion unterstützt das Umschalten der Motordrehung zur Verlangsamung, wenn das Flugzeug auf dem Boden landet.

Die Werkseinstellung ist OFF, der 1Pin Signaldraht ist zu diesem Zeitpunkt komplett ungültig.

Wenn Sie die Funktion einschalten möchten, programmieren Sie sie mit der Telefon-App oder dem Sender auf "EIN", schließen Sie den 3-poligen Signaldraht an den Gaskanal an und stecken Sie den das 1-polige Signalkabel in einen beliebigen 2-stufigen Schaltkanal des Empfängers, dann schalten Sie den 2-Stufen-Schalter des Senders ein. Die SMR-Funktion ist Sie können die Vorwärts- und Rückwärtsrichtung des Motors ändern, indem Sie den des Motors durch Umlegen des 2-Stufen-Schalters des Senders ändern.

Achtung! Diese Funktion kann nur wirksam sein, wenn die Drosselklappe unter 50%, und sie darf nur verwendet werden, wenn das Flugzeug auf dem Boden ist, sonst kann der Regler durchbrennen!

2. Bremse Typ: **Aus**/Weich/Mittel/Hart

3. Zeitsteuerung: **Auto** /Niedrig/Mittel/Hoch (5°/15°/25°)

4. Motor-Drehung: **CW**/CCW

5. SR-Funktion: ON/**OFF** Die Synchrongleichrichtungsfunktion macht den ESC mit höherer Antriebseffizienz und energiesparender.

6. Akkuzellen: **Auto** /2S/3S/4S/5S/6S

7. Niederspannungsabschaltswelle: OFF/NIMH50%/NIMH60%/

3.0V/3.2V/3.4V/3.6V Zum Beispiel: Bei Verwendung von 3

Lithiumbatterien und der Einstellung von 3.0V als

Unterspannungsgrenzwert beträgt der

Unterspannungsschutzschwellenwert: $3 \times 3.0 = 9.0V$

8. Art der Unterspannungsabschaltung: **Leistung reduzieren** / Leistung abschalten

Reduzierte Leistung: Wenn die Spannung auf den eingestellten Schwellenwert für den Unterspannungsschutz fällt, reduziert der Regler die Leistung auf 70%.

Abgeschaltete Leistung: Wenn die Spannung auf den eingestellten Schwellenwert für den Unterspannungsschutz abfällt, schaltet der ESC die Leistung sofort ab.

9. 40A, 50A, 60A, 80A, 100A ESCs haben einstellbare SBEC 5V/6V, die Standardeinstellung ist **5.0V**

10. Beschleunigung: **Normal**/Weich

SCHUTZFUNKTION

1. Einschaltsschutz: Wenn der Motor nicht innerhalb von 2 Sekunden nach dem Betätigen des Gashebels zum Starten, schaltet der ESC die und Sie müssen die Drosselklappe erneut kalibrieren. dann kann der ESC neu gestartet werden. Mögliche Gründe: Unterbrechung der Verbindung oder schlechte Verbindung zwischen ESC und Motor, der Propeller oder Motor ist durch andere Gegenstände blockiert, das Getriebe ist beschädigt, usw.)

2. Überhitzungsschutz: Wenn die Temperatur des ESC über über 110°C liegt, reduziert der ESC automatisch die Ausgangsleistung die Ausgangsleistung zum Schutz, schaltet sie aber nicht vollständig ab, sondern reduziert sie 70% der vollen Leistung, um sicherzustellen, dass der Motor genug Leistung hat Leistung hat, um Abstürze zu vermeiden.

3. Schutz vor Gaspedalsignalverlust: Der ESC reduziert die Ausgangsleistung die Ausgangsleistung, wenn das Gassignal 1 Sekunde lang ausfällt, und schaltet die Motor ab, wenn das Gassignal länger als 2 Sekunden ausfällt. Wenn das Drosselklappensignal Gassignal während der Abschaltung wiederhergestellt, nimmt der ESC die Gassteuerung wieder auf. Auf diese Weise schützt der ESC nicht, wenn wenn das Signal weniger als 2 Sekunden ausfällt, sondern nur, wenn das über 2 Sekunden oder länger ist. Und der ESC reduziert die Ausgangsleistung Leistung schrittweise, anstatt sie sofort abzuschalten, so dass der Spieler der Spieler eine gewisse Zeit hat, um das Flugzeug zu retten, unter Berücksichtigung der Sicherheit und Praktikabilität.

4. Überlastungsschutz: Der ESC schaltet den Strom ab oder startet automatisch neu automatisch, wenn die Last plötzlich stark ansteigt, möglicherweise Grund ist der blockierte Motor.

PROGRAMMIERBARE ELEMENTE

1. Schalten Sie den Sender ein und bringen Sie den Gasknüppel in die obere Position.
2. Schließen Sie den Akkupack an den Regler an.
3. Warten Sie 2 Sekunden, der Motor gibt einen speziellen Ton wie "Piep-Piep-Piep" aus.
4. Warten Sie weitere 3 Sekunden, der Motor gibt einen speziellen Ton ab, wie "123", was bedeutet, dass der Programmmodus aktiviert ist.

PROGRAMMABLE ITEMS

Nach dem Aufrufen des Programmmodus hören Sie 11 Töne in einer Schleife mit der folgender Reihenfolge.

Ton	Programmierbare Elemente	
1) "piep"	SMR-Funktion	(1 kurzer Ton)
2) "piep.piep"	Bremse Typ	(2 kurzer Ton)
3) "piep.piep.piep"	Motor-Timing	(3 kurzer Ton)
4) "piep.piep.piep.piep"	Motordrehung	(4 kurzer Ton)
5) "piep--"	SR-Funktion	(1 langer Ton)
6) "piep-.piep"	Batteriezellen	(1 lang 1kurz)
7) "piep-.piep.piep"	Schwelle für die	(1 lang 2 kurz)
8) "piep-.piep.piep.piep"	Unterspannungsabschaltung	(1 lang 3 kurz)
9) "piep-.piep.piep.piep.piep"	BEC-Spannung	(1 lang 4 kurz)
10) "piep-piep--"	Beschleunigung	(2 lange Töne)
11) "piep-piep-piep"	Werkseinstellungen wiederherstellen	(2 lang 1 kurz)

Hinweis: 1 langer "Piep- -" = 5 kurze "Piep"

EINSTELLEN DES WERTES

Bewegen Sie den Gasknüppel innerhalb von 2 Sekunden nach einem der folgenden Töne in die untere Position, wird dieses Element ausgewählt. Nachdem das programmierbare Element ausgewählt wurde, hören Sie mehrere Töne in einer Schleife wie folgt für jedes programmierbare Element. Stellen Sie den Wert ein, der zu einem Ton passt, indem Sie den Gashebel in die obere Position bewegen, wenn Sie den Ton hören, dann gibt der Motor einen speziellen Ton wie "123" aus, was bedeutet, dass dieser Wert eingestellt und gespeichert wurde.

Zum Beispiel: Wenn Sie die Motordrehung einstellen möchten und Sie vier kurze "Beep"-Töne hören, bewegen Sie den Gashebel innerhalb von 2 Sekunden in die untere Position, so gelangen Sie in das Menü für die Motordrehung. Ein kurzer "Beep"-Ton bedeutet Vorwärts Richtung (CW), zwei kurze Töne von "Beep" bedeuten die Rückwärtsrichtung (CCW). Wenn Sie die Richtung (CCW) einstellen möchten, bewegen Sie den Gashebel in die obere Position, wenn Sie die zwei kurzen Töne des "Beep" hören, dann hören Sie hören Sie einen speziellen Bestätigungston wie "123", was bedeutet die Einstellung "CCW" ist eingestellt und gespeichert.

Wenn Sie den Gasknüppel in der obersten Position halten, kehren Sie in den Programmier Modus zurück und Sie können weitere Einstellungen vornehmen; oder Sie bewegen den innerhalb von 2 Sekunden nach unten, um den Programmiermodus direkt zu verlassen).

Anleitung für den Brushless Regler

REFERENZTABELLE FÜR PROGRAMMIERTON

Funktion \ Ton	“beep”	“beep.beep”	“beep.beep .beep”	“beep.beep .beep.beep”	“beep- -”	“beep- - beep”	“beep- - beep.beep”
	1 kurzer Ton	2 kurzer Ton	3 kurzer Ton	4 kurzer Ton	1 lang	1 lang 1 kurz	1lang 2kurz
SMR-Funktion	*AUS	ON					
Bremse Typ	*AUS	Weiche Bremse	Mittlere Bremse	Harte Bremse			
Motor-Timing	*Auto	Niedrig	Mitte	Hoch			
Motordrehung	*CW	CCW					
SR-Funktion	EIN	*AUS					
Akku-Zellen	*Auto	2S	3S	4S	5S	6S	
Schwellenwert für die	OFF	NIMH50%	NIMH60%	*3.0V	3.2V	3.4V	3.6V
Typ der Unterspannungsabschaltung	*Leistung reduzieren	Abschaltung Leistung					
BEC-Spannung	*5V	6V					
Beschleunigung	*Normal	Weich					
Werkseinstellungen wiederherstellen	Wiederherstellen						

i Hinweis: Der Wert " * " bedeutet Standardeinstellungen.

PROBLEMLÖSUNG

Problem	Mögliche Ursache	Behebung
Nach dem Einschalten gibt der Regler das Geräusch von Batteriezellen ab, aber der Motor kann nicht laufen.	ESC stellt den Gasbereich nicht ein.	Stellen Sie den Gasbereich erneut ein.
Nach dem Einschalten läuft der Motor nicht und gibt kein Geräusch ab.	1. schlechte Verbindung zwischen ESC und Akku. 2. schlechte Lötung verursacht schlechten Kontakt. 3. niedrige Spannung des Akkus. 4. ein Qualitätsproblem des ESC.	1. reinigen Sie die Stecker oder tauschen Sie sie aus, überprüfen die Polarität der Verbindung. 2. löten Sie die Drähte neu. 3. prüfen Sie den Akku, verwenden Sie einen voll aufgeladenen Akku. 4. den Regler austauschen.
Der Motor funktioniert nicht und kein hörbarer Ton ertönt nach dem Anschließen der Batterie. Die Servos sind nicht funktionieren auch nicht.	1. Schlechte/lockere Verbindung zwischen Akku Pack und ESC. 2. Kein Strom 3. Schlechte Lötverbindungen 4. Falsche Polung des Batteriekabels 5. Gaskabel des Reglers am Empfänger angeschlossen in umgekehrter Polarität	Prüfen Sie alle Verbindungen und stellen Sie sicher, dass Sie alles richtig machen.
Der Motor funktioniert nicht, aber Servos funktionieren	1. Schlechte / lose Verbindung zwischen ESC und Motor 2. Verbrannte Motorspulen 3. Die Spannung des Akkupacks überschreitet den akzeptablen Bereich. 4. Der Gasknüppel ist nicht in der untersten Position. 5. Die ESC-Gaskalibrierung hat sich nicht eingestellt	1. Prüfen Sie alle Anschlüsse und stellen Sie sicher, dass Sie es richtig machen. 2. Tauschen Sie einen neuen Motor aus. 3. Löten Sie die Drähte neu. 4. Überprüfen Sie den Akku, verwenden Sie einen voll aufgeladenen Akku. 5. Stellen Sie den Drosselklappenbereich neu ein.
Wenn der ESC eingeschaltet ist eingeschaltet, funktioniert der Motor nicht und ein Alarmton (kontinuierliches Piepen) ertönt.	Der Gasknüppel ist nach dem Einschalten nicht in der unteren Position nach dem Einschalten.	Bringen Sie den Gasknüppel in die untere Position.
Motor läuft in Rückwärtsrichtung	Falsche Kabelpolarität zwischen dem Regler und dem Motor.	Tauschen Sie zwei der drei Kabelverbindungen zwischen dem Regler und dem Motor oder rufen Sie die Motordrehungsfunktion über den Programmiermodus des Reglers auf und ändern Sie die voreingestellten Parameter.
Motor läuft nicht mehr im Flug.	Verlorenes Gassignal Prüfen Sie den ordnungsgemäßen Betrieb der Funkausrüstung.	Überprüfen Sie die Platzierung des Reglers und des Empfängers und den Verlauf der Antenne des Empfängers und des Reglers überprüfen.

ATTENTION



ATTENTION : Lisez intégralement ce manuel d'utilisation pour vous familiariser avec les caractéristiques de ce produit avant de l'utiliser. Ne pas utiliser correctement ce produit peut entraîner des dommages au produit, aux biens matériels et causer des blessures graves.

Il s'agit d'un produit de loisir technique, sophistiqué, et non d'un jouet. Il doit être utilisé avec précaution et bon sens, et requiert quelques connaissances de base en mécanique. Ne pas utiliser ce produit en sécurité et de manière responsable peut entraîner des blessures ou des dégâts au produit et envers des tiers. Ce produit n'est pas prévu pour une utilisation par des enfants sans la surveillance directe par un adulte.

Ce manuel contient des instructions concernant la sécurité, l'utilisation et l'entretien. Il est essentiel de lire et de suivre toutes les instructions et de respecter les avertissements de ce manuel avant de monter, de régler ou d'utiliser le produit, de façon à l'exploiter correctement et éviter les dégâts ou blessures graves.

Consignes de sécurité et avertissements

En tant qu'utilisateur de ce produit, vous êtes seul responsable de son utilisation, de manière à ne pas vous mettre en danger, et à ne pas mettre les autres en danger, et à ne pas endommager ce produit ou causer de dégâts à des tiers. Ce modèle est piloté par un signal radio qui peut être soumis à des interférences provenant de sources variées que vous ne contrôlez pas. Ces interférences peuvent causer une perte momentanée de contrôle, aussi est-il prudent de toujours garder une distance de sécurité dans toutes les directions, autour de votre modèle, cette marge vous aidant à éviter les collisions ou les blessures.

Âge recommandé : Ce produit ne doit pas être utilisé par des enfants de moins de 14 ans. Ce n'est pas un jouet.

- N'utilisez jamais votre modèle avec des piles faibles dans l'émetteur.
- Utilisez toujours votre modèle dans un espace vaste, sans véhicules, sans circulation et sans personnes.
- N'utilisez pas le modèle dans les rues, où vous pourriez occasionner des blessures ou des dégâts.
- N'utilisez jamais le modèle pour quelque raison que ce soit dans la rue ou dans des zones peuplées.
- Suivez soigneusement les instructions et les conseils de ce manuel et ceux des équipements optionnels (chargeurs, accus rechargeables, etc.).
- Tenez tous les produits chimiques, les petites pièces et tout composant électrique hors de portée des enfants.
- L'humidité peut causer des dégâts à l'électronique. Evitez d'exposer à l'eau les équipements non conçus spécialement à cet effet et spécialement protégés.
- Ne léchez pas, et ne placez aucune partie du modèle dans votre bouche, car cela peut entraîner des blessures graves et même la mort.

Avertissement concernant les accus Lithium Polymère (LiPo)

Attention : Suivez toujours les instructions du fabricant pour utiliser les accus et vous en débarrasser. Un mauvais usage d'accus LiPo peut entraîner un incendie, des dégâts matériels ou des blessures graves.

En manipulant, chargeant ou utilisant des accus LiPo, vous assumez tous les risques associés aux accus au Lithium.

- Si à n'importe quel moment, l'accu commence à gonfler, arrêtez immédiatement de l'utiliser !
- Charger ou décharger un accu gonflé peut entraîner un incendie.
- Stockez toujours les accus à température ambiante dans un espace sec pour augmenter la durée de vie de l'accu. Transportez ou stockez toujours les accus dans une plage de températures de 5 à 48 °C. Ne stockez pas les accus ou le modèle dans une voiture ou directement à la chaleur du soleil. Un accu stocké dans une voiture chaude peut être endommagé et éventuellement prendre feu.
- N'utilisez jamais un chargeur pour accus NiMh. Ne pas charger avec un chargeur compatible LiPo peut entraîner un incendie, entraînant des blessures et des dégâts matériels.
- Ne déchargez jamais les éléments LiPo à moins de 3 V par élément.
- Ne laissez jamais une charge se faire sans surveillance.
- Ne chargez jamais un accu endommagé.
- Vous devez charger les accus LiPo uniquement avec un chargeur spécial LiPo. Lisez bien les instructions de votre chargeur avant usage. Quand vous chargez l'accu, vérifiez que l'accu est sur une surface ininflammable. Il est également conseillé de placer les accus LiPo dans un sac résistant au feu que vous trouverez facilement dans les magasins de modélisme ou sur les boutiques en ligne.

Introduction

Le monde est toujours plein d'anticonformistes, et Maule était l'un d'eux. L'auriez-vous cru ? Alors que le monde entier voulait aller plus haut et plus vite, Maule voulait le contraire : voler plus lentement et plus bas... Et il l'a fait !

Le Maule de 1500 mm FMS reproduit au plus près le comportement aux basses vitesses et les caractéristiques de décollages et atterrissages courts (ADAC) du véritable Maule. Aidé par une mousse EPO légère et durable et des volets fonctionnels, le Maule FMS est capable de décoller en à peine trois mètres.

Conformément au concept de produit "apparence parfaite, excellentes performances", le Maule FMS inclut de nombreux détails maquettes. Des fenêtres cristallines de la cabine et de la décoration intérieure aux lignes de structure moulées, en passant par les antennes, les rivets, les turbulateurs et les éclairages à LED fonctionnels, le Maule FMS repousse les limites du niveau de reproduction qui peut être atteint dans un avion de même taille et de même type.

Le Maule peut être équipé de deux types de train d'atterrissage : un jeu de roues ou un jeu de flotteurs, afin de conquérir n'importe quel terrain. L'ensemble de motorisation brushless pré-installé et compatible LiPo 3S ou 4S délivre une grande puissance afin de voler aussi bien depuis des surfaces lisses que de pistes rudes, grâce à ses roues surdimensionnées, ou encore depuis un plan d'eau avec les flotteurs inclus.

Le Maule FMS : profitez d'un plaisir de vol inégalé.

- Détails maquettes : Aménagement de cabine, pilote, lignes de structure moulées, antennes, rivets, turbulateurs.
- Assemblage sans colle.
- Volets fonctionnels pour le vol lent et les décollages et atterrissages courts.
- Eclairage à LED fonctionnel monté d'origine
- Cellule en mousse EPO légère et durable
- Ailes en deux panneaux avec mâts repliables.
- Pneus surdimensionnés et train super-robuste.
- Jeu de flotteurs inclus, avec gouvernail marin pour décoller ou atterrir sur l'eau.

Table des matières

Introduction	29
Contenu du kit	29
Montage du modèle	30
Mise en place de l'accu	33
Diagramme de connexion	34
Préparation du modèle au vol	34
Montage des chapes	35
Réglage des guignols et des palonniers de servos	35
Centrage (C.G.)	36
Avant de faire voler le modèle	36
Pilotage du modèle	36
Dépannage	37
Liste de pièces de rechange	37
Manuel du contrôleur brushless	38

Contenu du kit

Avant le montage, merci de contrôler le contenu du kit. Le schéma ci-dessous détaille le contenu du kit et la numérotation. Si quelque élément est manquant ou défectueux, identifiez le nom ou le numéro de la pièce (reportez-vous à la liste des pièces de rechange page 18 de ce manuel), puis contactez votre magasin local ou contactez-nous : support@fmsmodel.com.

Caractéristiques

Envergure : 1500mm / 59in

Longueur hors tout : 1100mm / 43.3in

Poids en ordre de vol : ~ 1871g

Format du moteur : 3541-KV1050

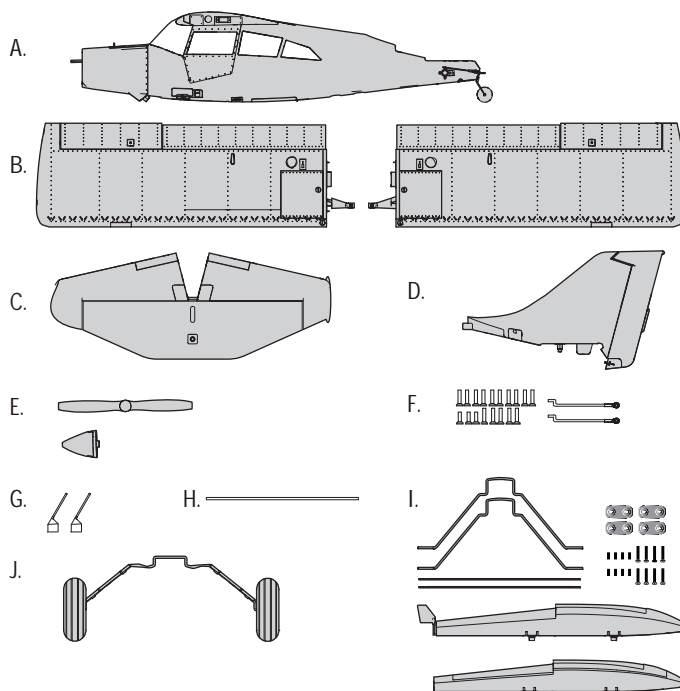
Charge alaire : 52.4 g/dm²

Surface alaire : 35.7 dm²

Contrôleur brushless : 40A

Servos : 9g*7

Batterie recommandée : 11.1V 2200-3200mAh 50C



A: Fuselage

B: Paire d'ailes

C: Empennages horizontaux

D: Dérive

E: Ensemble cône d'hélice

F: Tringles de commandes et vis

G: Antenne

H: Tube clé d'aile

I: Flotteurs et accessoires

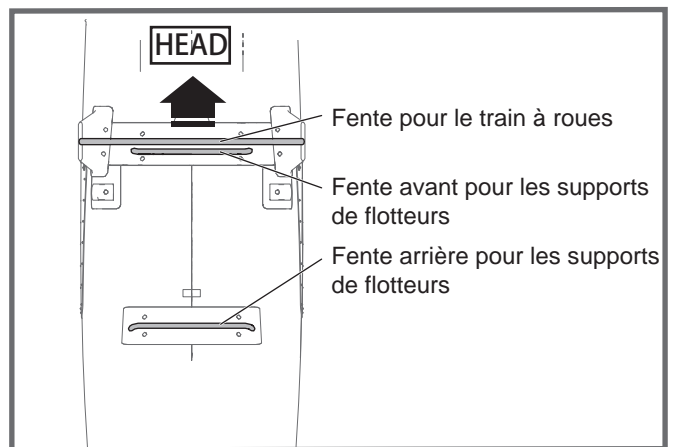
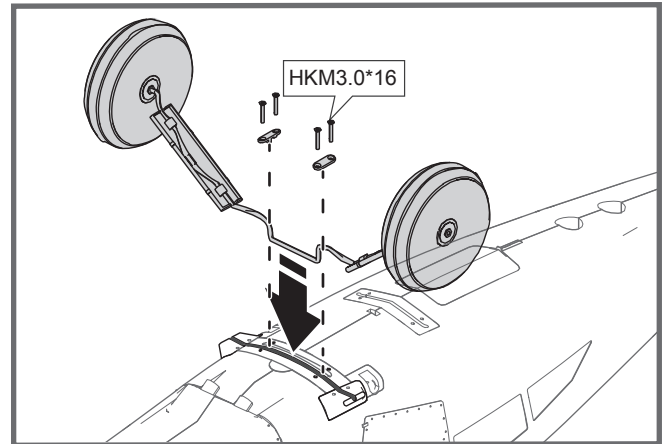
J: Ensemble train d'atterrissage

Montage du modèle

Installation du train principal

1. Fuselage retourné (dessous du fuselage vers le haut), placez le train principal dans la fente correspondante comme montré.

Fixez le train d'atterrissage avec les pattes et les vis fournies.



Montage des ailes

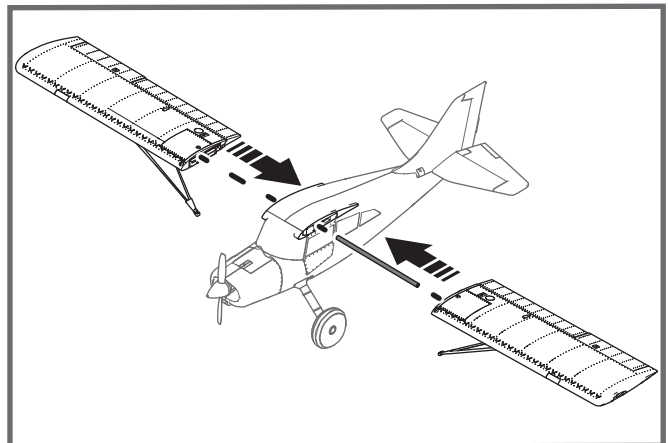
1. Glissez le tube clé d'aile au travers du fuselage, puis montez les deux ailes sur le tube et dans les logements du fuselage.

2. Branchez les connecteurs des servos et des éclairages à LED de l'aile sur le fuselage.

Note : Assurez-vous que les connecteurs de l'aile sont connectés sur les bonnes rallonges du fuselage.

3. Fixez les ailes en position avec les 4 vis fournies, comme montré.

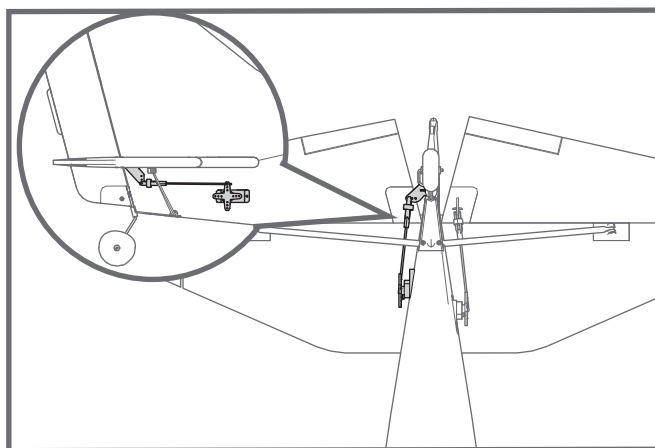
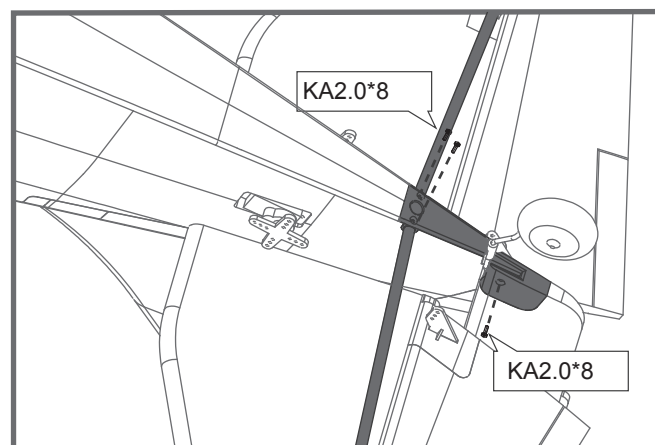
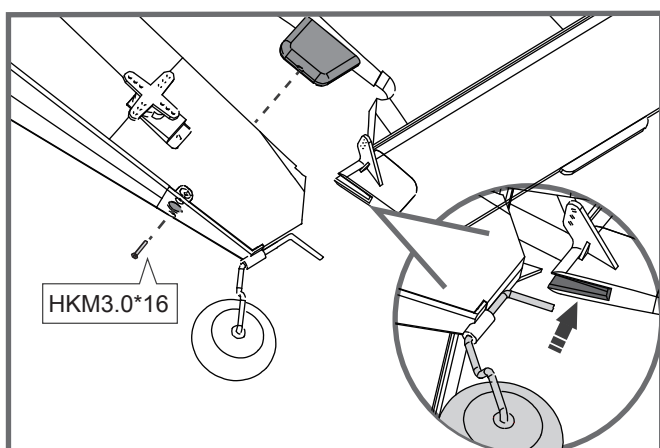
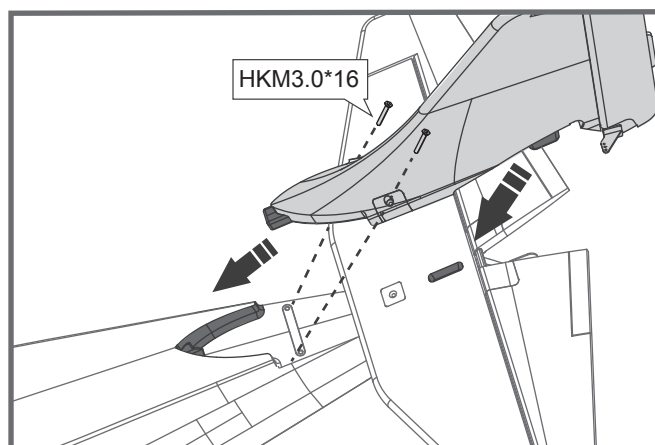
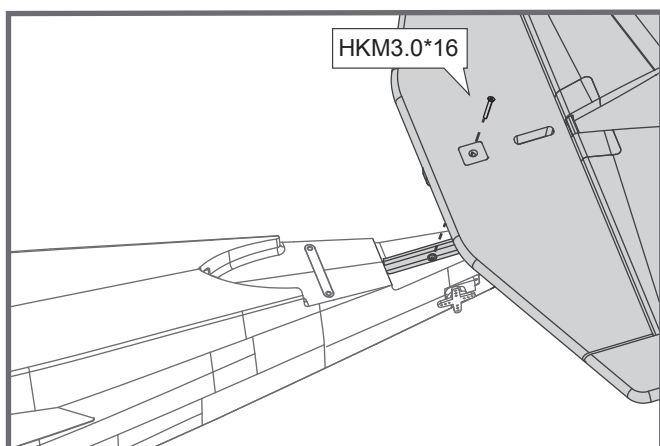
4. Fixez les mâts d'ailes au fuselage avec les deux vis incluses comme montré.



Montage du modèle

Montage des empennages

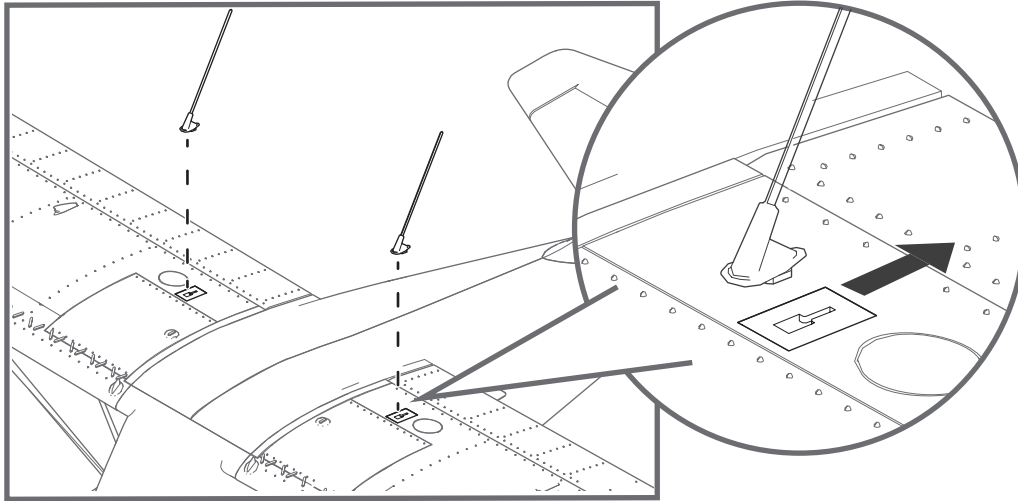
1. Placez le stabilisateur horizontal sur la fente à l'arrière du fuselage et fixez-le en position avec la vis fournie.
2. Alignez et placez la dérive dans la fente du stabilisateur horizontal et sur l'arrière du fuselage comme montré, et fixez-la à l'aide des deux vis fournies par le dessus du fuselage.
3. Fixez aussi la dérive à l'aide d'une vis fournie par le dessous du fuselage et insérez la tige de la roulette de queue dans la fente en bas de la gouverne de direction comme montré.
4. Courbez légèrement les mâts d'empennages et glissez-les dans les logements du fuselage, fixez les mats avec les deux vis fournies, puis fixez l'ensemble de la roulette de queue avec la vis fournie.
5. Branchez les commandes de direction et de profondeur sur les servos et les chapes sur les trous les plus extérieurs des guignols de direction et de profondeur.



Montage du modèle

Mise en place des antennes

Insérez les pattes des antennes factives dans les fentes au-dessus des ailes et glissez-les vers l'arrière pour les verrouiller en position.

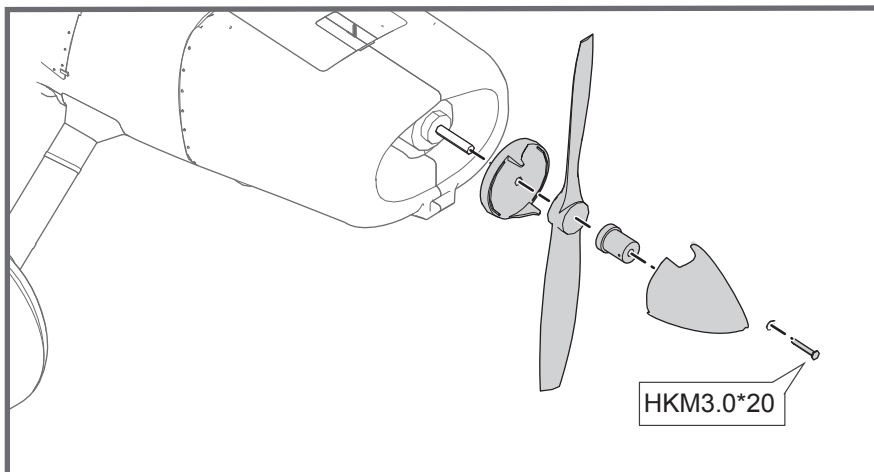


Montage de l'hélice

1. Placez le flasque arrière du cône sur l'axe, suivi de l'hélice, de la rondelle et de l'adaptateur de cône.
2. Serrez l'adaptateur de cône jusqu'à ce que l'hélice soit fixée de manière sûre.
3. Fixez le cône avec la vis fournie.

Notes :

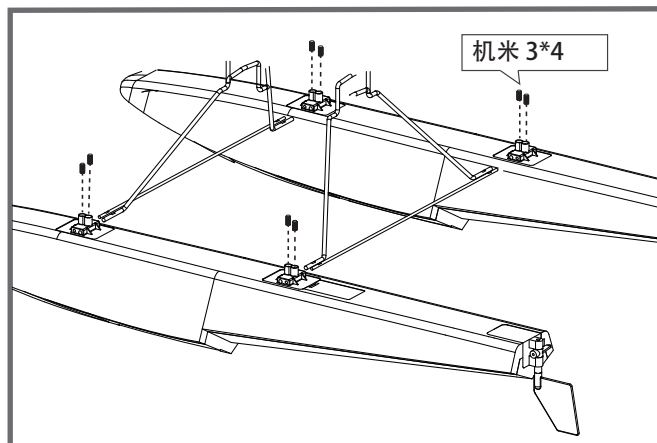
1. Le moteur doit tourner en sens horaire en regardant l'hélice depuis l'arrière.
2. Démontage de l'hélice : Procédez à l'inverse.



Montage du modèle

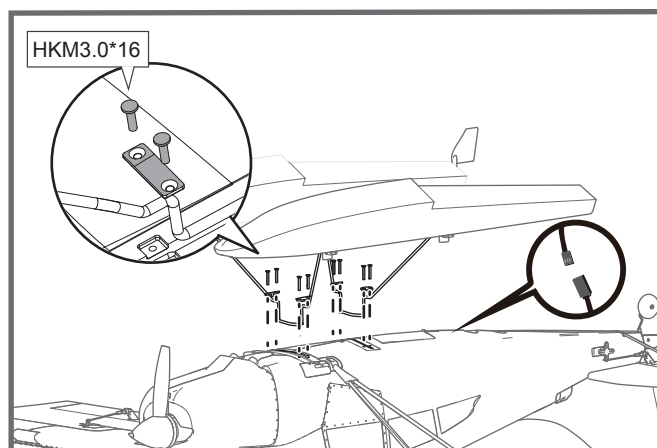
Montage des flotteurs

1. Montez les deux traverses et les mâts avant et arrière de flotteurs entre les deux flotteurs comme représenté. Fixez l'ensemble à l'aide des 8 vis de pression fournies.



2. Insérez les mâts de flotteurs avant et arrière dans les fentes destinées aux flotteurs sous le fuselage, puis fixez-les en place à l'aide des 4 pattes et des 8 vis fournies.
3. Connectez le fil du servo de gouvernail à la rallonge qui est dans le fuselage.

Note : Assurez-vous que la prise du servo est insérée fermement.



Mise en place de l'accu

1. Enlevez la trappe d'accès à la batterie.
2. Tirez la face "douce" du velcro adhésif situé dans le fuselage. Collez cette face à votre pack d'accus.
3. Placez un pack d'accus dans le fuselage et attachez-le avec les sangles d'accu pré-installées

Note : Le centre de gravité peut être ajusté en déplaçant la batterie d'avant en arrière. Il est capital d'avoir un centrage correct afin d'obtenir de bonnes qualités de vol.

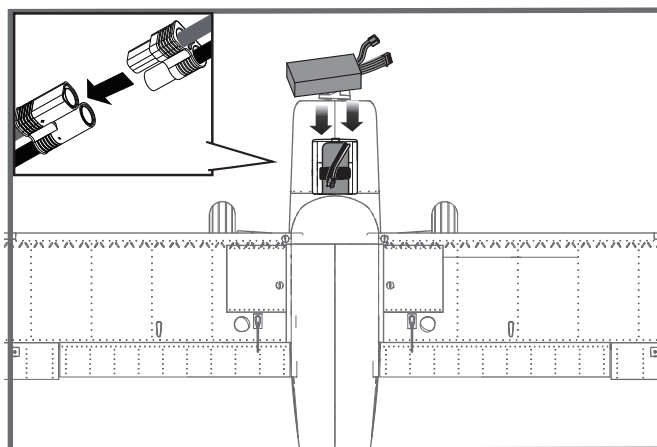


Diagramme de câblage du récepteur

Les fils venant de la platine de connexion doivent être connectés sur votre récepteur dans l'ordre montré. Rangez les fils dans la cavité à l'arrière du logement d'accus.

		Récepteur
Ailerons	1	Voie 1 Ailerons
Profondeur	2	Voie 2 Profondeur
Gaz	3	Voie 3 Gaz
Direction	4	Voie 4 Direction
Gear	5	Voie 5 Gear
Volets	6	Voie 6 volets

Préparation du modèle au vol

Informations importantes concernant le contrôleur brushless et le modèle

1. Le contrôleur brushless inclus dans votre modèle est équipé d'un démarrage sécurisé. Si l'accu de propulsion est branché au contrôleur alors que le manche de gaz n'est en position moteur coupé, le moteur ne démarrera pas tant que le manche n'aura pas été ramené en position moteur coupé. Une fois le manche de gaz en position moteur coupé, le moteur émet une série de "bips". Plusieurs "bips" avec la même tonalité indiquent que le contrôleur a détecté les éléments de l'accu. Le nombre de "bips" correspond au nombre d'éléments détectés. Le moteur est alors armé et démarrera dès que le manche de gaz sera bougé.

2. Le moteur et le contrôleur sont pré-connectés et le sens de rotation du moteur doit être correct. Si pour une quelconque raison, le moteur tourne dans le mauvais sens, inversez simplement deux des trois fils du moteur pour inverser le sens de rotation.

3. Le moteur peut être freiné en option. Le contrôleur est livré avec le frein désactivé et nous vous conseillons de voler sans frein. Toutefois, le frein peut se trouver activé si l'accu de propulsion est branché alors que le manche de gaz est sur "plein gaz". Pour désactiver le frein, mettez le manche de gaz sur "plein gaz" et branchez l'accu.

Le moteur émet un "bip". Placez le manche de gaz en position "moteur coupé". Le moteur est prêt à tourner avec le frein désactivé.

4. Choix et installation de l'accu : Nous conseillons un accu LiPo 3S 11,1 V 2200 à 3200 mAh 50C. Si vous utilisez un autre type d'accu, il doit être un 3S (11.1 V), avec au moins 2200 à 3200mAh de capacité et au moins 50C de capacité de décharge. Votre accu doit avoir à peu près la même capacité, les mêmes dimensions et le même poids que l'accu LiPo 3S 11,1 V 2200 à 3200 mAh 50C afin de rentrer dans le fuselage sans modifier le centrage de manière significative.

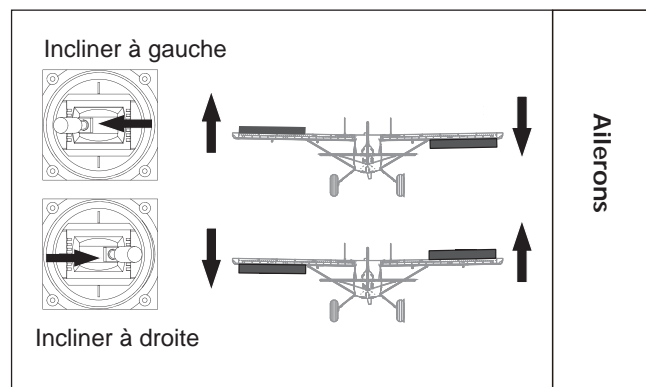
Réglage de l'émetteur et du modèle

Avant de commencer, appairez votre récepteur à votre émetteur. Merci de vous reporter à la notice de votre ensemble radio pour effectuer cette opération correctement.

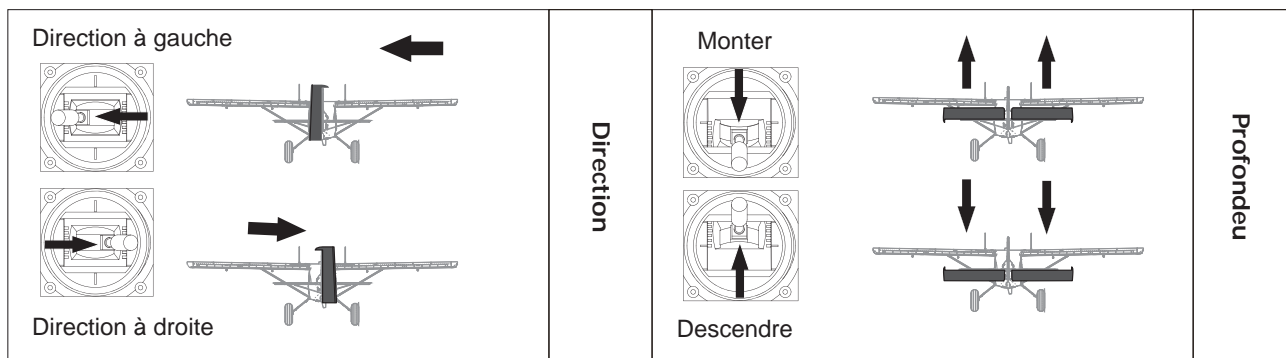
ATTENTION : Pour éviter les blessures, NE MONTEZ PAS l'hélice sur l'axe du moteur pendant que vous contrôlez les gouvernes. N'armez pas le contrôleur et n'allumez pas l'émetteur tant que le manuel de l'émetteur ne vous le précise pas.

CONSEILS : Assurez-vous que les manches de l'émetteur sont au neutre (Direction, profondeur et ailerons) et que les gaz sont sur "moteur coupé". Assurez-vous que chaque aileron se lève et se baisse de la même valeur. Ce modèle se comporte bien quand les débattements des ailerons vers la gauche et vers la droite sont identiques.

Bougez les commandes de l'émetteur pour vous assurer que les gouvernes réagissent correctement. (Voir les schémas qui suivent).



Préparation du modèle au vol



Contrôle des débattements

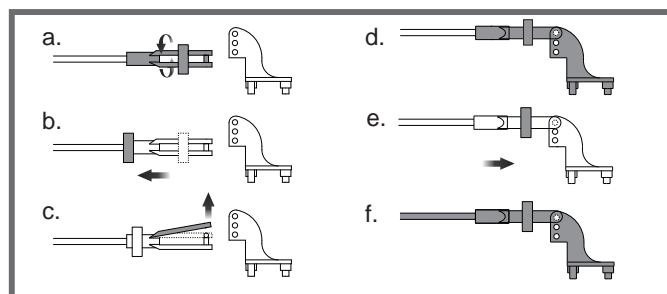
Les débattements conseillés pour le Piper PA-18 Super Cub FMS sont les suivants (Réglages de doubles débattements).

CONSEILS : Pour le premier vol, pilotez le modèle avec les petits débattements. La première fois que vous utiliserez les grands débattements, veillez à voler à vitesse moyenne, c'est uniquement pour des figures EXTRÊMES.

	Grands débattements	Petits débattements
Profondeur	18mm haut / bas	14mm haut / bas
Ailerons	16mm haut / bas	12mm haut / bas
Direction	28mm gauche / droite	20mm gauche / droite

Montage des chapes

A et B. Sortez le tube verrou de chape vers la commande.
C. Ouvrez la chape avec précaution, puis insérez le pion dans le trou désiré du guignol.
D, E et F. Glissez le tube verrou sur la chape.



Réglage des guignols et des palonniers de servos

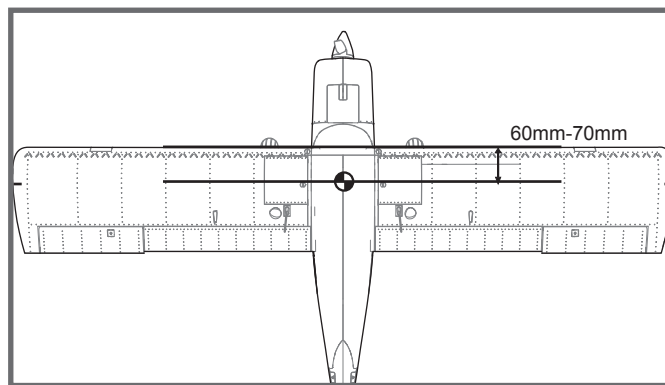
Le tableau montre les réglages d'usine des guignols et des palonniers de servos. Faites voler le modèle avec les réglages d'usine avant de faire des modifications. Après avoir volé, vous pouvez choisir de modifier les positions des commandes pour personnaliser la réponse des gouvernes. Reportez-vous au tableau ci-dessous.

	Guignols	Palonniers	Plus de débattement
Profondeur			
Direction			
Ailerons			
			Moins de débattement

Centrage (C.G.)

Quand vous réglez le centrage de votre modèle, ajustez la position de l'accu selon les besoins pour que le modèle soit à plat ou légèrement nez bas. C'est le bon point d'équilibrage pour votre modèle. Après les premiers vols, le centrage peut être ajusté en fonction de vos préférences.

1. Le centre de gravité conseillé pour votre modèle est entre 60 et 70 mm en arrière du bord d'attaque de l'aile (comme montré) quand le pack d'accus est installé. Tracez la position du centre de gravité sur le dessous de l'aile.
2. Pour équilibrer votre modèle, portez-le au niveau des marques faites sous les ailes, soit sur vos doigts, soit à l'aide d'un équilibreur disponible dans le commerce. C'est le bon point d'équilibre pour votre modèle. Assurez-vous que le modèle est monté et en ordre de vol avant de l'équilibrer.



Avant de faire voler le modèle

Trouvez un site de vol adapté

Trouvez un site de vol dégagé, à l'écart de bâtiments, d'arbres, de lignes électriques ou autres obstacles. Jusqu'à ce que vous sachiez exactement l'espace dont vous avez besoin et que vous maîtrisiez parfaitement votre avion, choisissez un site qui fasse au moins la surface de deux à trois terrains de football. Un site réservé à la pratique de l'aéromodélisme est encore mieux. Ne volez jamais à proximité de personnes, tout particulièrement d'enfants qui peuvent divaguer de façon imprévisible.

Faites un test de portée de votre ensemble radio

Par précaution, un test de portée doit être effectué avant le premier vol de chaque session de vol. Le test de portée est une bonne façon de détecter des problèmes qui peuvent entraîner une perte de contrôle, comme des piles faibles, des éléments de la radio défectueux, ou un brouillage radio. En général, il vous faut un assistant et vous devez le faire sur le site même où vous allez voler.

Allumez d'abord votre émetteur, puis montez un accu complètement chargé dans le fuselage. Branchez l'accusur le contrôleur et placez la trappe.

Pensez à ne pas heurter le manche de gaz, sans quoi, l'hélice se mettra à tourner, pouvant causer des dégâts ou des blessures.

NOTE : Reportez-vous aux instructions de votre ensemble radio pour connaître la procédure de test de portée. Si les commandes ne répondent pas correctement ou si quoi que ce soit semble anormal, ne faites pas voler le modèle avant d'avoir trouvé le problème et de l'avoir corrigé. Assurez-vous que les fils de servos sont correctement connectés sur le récepteur et que les piles ou accus de l'émetteur sont bien chargées.

Surveillez votre temps de vol

Surveillez et limitez votre temps de vol avec un chronomètre (une montre-chrono, ou un chrono sur votre émetteur s'il en est équipé). Quand les accus faiblissent, vous constatez en général une baisse de puissance avant que le contrôleur ne coupe le moteur. Donc, dès que l'avion perd de la vitesse, vous devez atterrir. Souvent (mais pas toujours), vous pouvez remettre le moteur en marche brièvement quand le contrôleur après que le contrôleur ait coupé le moteur, en gardant le manche de gaz tout en bas quelques secondes.

Pour éviter un atterrissage en plané dès votre premier vol, nous vous conseillons de tabler sur une valeur prudente de 4 minutes. Quand les 4 minutes sont atteintes, posez-vous sans attendre.

Pilotage du modèle

Décollage

En mettant progressivement les gaz, maintenez l'axe avec la direction, le modèle va accélérer rapidement. Quand le modèle a assez de vitesse pour voler, mettez-le en montée sur un angle raisonnable et constant. Il va monter avec un bon angle d'attaque (AOA).

Vol

Choisissez toujours une zone vaste et dégagée pour faire voler votre avion. L'idéal est de voler sur le site d'un club d'aéromodélisme. Si ce n'est pas le cas, évitez toujours de voler à proximité de maisons, d'arbres, de lignes électriques et de bâtiments. Vous devez aussi éviter de voler sur des zones très peuplées, comme les parcs publics, les cours d'écoles, ou des terrains de sport. Consultez les lois et règlements locaux avant de choisir votre site de vol. Après le décollage, prenez de la hauteur. Montez pour tester tous les régimes de vol, y compris les hautes et basses vitesses.

Après avoir pris en main votre Super Hornet, vous pourrez faire des passages bas et rapides, du vol sur le dos, des loopings et des tonneaux...

Atterrissage

Dès que le moteur de votre modèle donne des à-coups (LVC) ou que vous sentez une diminution de puissance, posez-vous. Si vous avez un émetteur avec un chronomètre, réglez-le pour avoir la possibilité de faire plusieurs approches. Le train tricycle du modèle permet de se poser sur des pistes en dur. Alignez le modèle face au vent et laissez-le descendre vers le sol. Gardez 1/4 à 1/3 de puissance pour avoir assez d'énergie pour faire un bel arrondi. Avant que le modèle ne touche le sol, réduisez complètement le moteur pour éviter d'endommager l'hélice ou d'autres éléments. La clé d'un atterrissage réussi réside dans le dosage des gaz et de la profondeur dans l'approche finale et durant l'arrondi pour que le modèle touche le sol en douceur sur son train principal en premier. Après quelques vols, vous verrez que le modèle peut être posé sur le train principal en tenant le train avant levé jusqu'à ce que la vitesse ait diminué et que le nez se pose.

Pilotage du modèle

Entretien

Les réparations de la mousse doivent se faire avec des colles adaptées aux mousses expansées comme la colle thermo-fusible, la cyano spéciale mousse, et l'époxy 5 minutes. Si les pièces ne sont pas réparables, consultez la liste des pièces de rechange pour commander à l'aide des références. Vérifiez toujours que toutes les vis du modèle sont bien serrées. Faites spécialement attention à la fixation du cône avant chaque vol.

Dépannage

Problème	Cause possible	Solution
Le moteur de l'avion ne répond pas, mais les autres commandes répondent.	-Le contrôleur n'est pas armé. -La voie des gaz est inversée.	-Abaissez le manche de gaz et son trim tout en bas. -Inversez la voie des gaz sur l'émetteur.
Bruit excessif de l'hélice ou vibrations excessives.	-Cône, hélice, moteur ou support moteur endommagé. -Hélice ou éléments du cône desserrés -Hélice montée à l'envers	-Remplacez les pièces endommagées. -Serrez l'adaptateur d'hélice, l'hélice et le cône. -Démontez et remontez l'hélice correctement.
Temps de vol réduit ou modèle sous motorisé.	-Accu mal chargé -Hélice montée à l'envers -Accu endommagé	-Rechargez complètement l'accu. -Remontez l'hélice dans le bon sens. -Remplacez l'accu et suivez les instructions de l'accu.
Les gouvernes ne bougent pas, ou réagissent lentement aux ordres	-Gouverne, guignol, tringlerie ou servo endommagé. -Fils endommagés ou connecteurs trop lâches.	-Remplacez ou réparez les éléments endommagés ou réglez les commandes. -Vérifiez les connexions rechargez l'accu
Gouvernes inversées	-Voies inversées sur l'émetteur	-Vérifiez les sens de débattement et réglez les sens depuis l'émetteur.
-Le moteur perd de la puissance. -Le moteur donne des à-coups puis perd de la puissance.	-Moteur ou accu endommagé. -Perte de puissance du modèle. - Le contrôleur passe en mode de coupure de sécurité en raison d'une tension trop faible.	-Vérifiez vos accus, l'émetteur, le récepteur, le contrôleur et les câblages. Remplacez si nécessaire. - Posez l'avion immédiatement et rechargez l'accu.
La LED du récepteur clignote lentement.	Perte de puissance du récepteur	- Vérifiez les connexions entre le récepteur et le contrôleur. - Vérifiez l'état des servos. - Contrôlez les tringleries, pour vérifier si elles ne forcent pas.

Ersatzteilliste

FMSRO101	Fuselage	FMSRO112	Accastillage (y compris les guignols)
FMSRO102	Paire d'ailes	FMSRO113	Jeu de LED
FMSRO103	Dérive et gouverne de direction	FMSRO114	Autocollants
FMSRO104	Stabilisateur horizontal	FMSDJ015	Support moteur
FMSRO105	Cabine	FMSDZ024	Adaptateur d'hélice
FMSRO106	Cône d'hélice	FMSBM035	Platine moteur
FMSRO107	Pièces maquettes en plastique	FMSPROP021	Hélice
FMSRO108	Mâts d'ailes	PRKV1050	Moteur brushless 3541-Kv1050
FMSRO109	Ensemble tiges de train d'atterrissage/ flotteurs (avec cordon en Y)	PRESC001	Contrôleur brushless 40 A
FMSRO110	Jeu de roues	FMSSE9GPW	Servo 9 g étanche
FMSRO111	Jeu de tringles de commandes	FMSFLT007	Jeu de flotteurs

Manuel du contrôleur brushless

Avertissements importants

- FMS n'est pas responsable de l'utilisation que vous faites de ce produit, ni des dégâts ou blessures que vous pouvez causer ou subir du fait de son utilisation.
- Donnez toujours la priorité à la sécurité quand vous utilisez ce produit.
- Un moteur électrique connecté à une batterie et/ou à un contrôleur électronique peut démarrer de manière imprévue et causer des dégâts importants. Vous devez toujours l'utiliser avec précautions et respect.
- Nous vous conseillons de toujours démonter l'hélice quand vous travaillez sur le modèle avec la source d'alimentation connectée.
- Suivez et respectez toutes les lois et règlements locaux en rapport avec le pilotage d'avions RC quand vous faites voler votre modèle.
- Ne volez jamais au-dessus d'autres personnes ou d'une foule.

Spécificités

1. Utilise de puissants MOSFETS de dernière génération à faible empreinte thermique, à courant en pointe élevé et haute fiabilité.
2. Equipé d'un microprocesseur 32 bits à hautes performances en standard. Capacité de calcul plus forte et des taux de traitement plus rapides.
3. Démarrage super-doux et contrôle souple des gaz sur toute la plage de puissance.
4. Efficacité de pilotage plus élevée et plus d'économie d'énergie.
5. Sortie SBEC à tension réglable : 5V/6V. (Les contrôleurs 40A/50A/60A/80A/100A ont le SBEC réglable)
6. Multiples protections : démarrage, surchauffe, coupure en cas de tension faible, perte de signal, déphasage...
7. Accepte une large plage de types de moteurs tournant à haut régime que l'on trouve sur le marché actuel.
8. Entièrement programmable via l'application mobile ZTW ou la carte de programmation LCD ZTW.

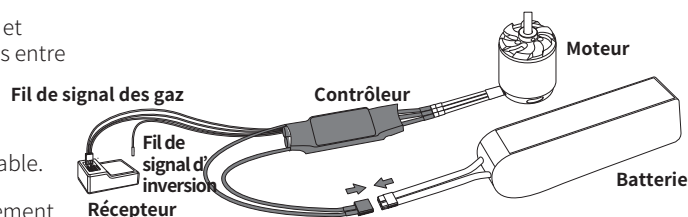
Caractéristiques

Type	Référence	Courant Continu/Pointe	Nb. d' éléments NiXX/LiPo	Poids (g)	Sortie BEC	Dimensions L x l x H	Programmable
Beatles 20A SBEC G2	3020211	20A/30A	5-12NC\2-4Lipo	25	5.5V/4A	60*25*10	Yes
Beatles 30A SBEC G2	3030211	30A/40A	5-12NC\2-4Lipo	25	5.5V/4A	60*25*10	Yes
Beatles 40A SBEC G2	3040211	40A/55A	5-12NC\2-4Lipo	37	5V/6V 4A	68*25*10	Yes
Beatles 50A SBEC G2	3050211	50A/65A	5-12NC\2-4Lipo	37	5V/6V 4A	68*25*10	Yes
Beatles 60A SBEC G2	3060211	60A/80A	5-18NC\2-6Lipo	50	5V/6V 8A	70*34*10	Yes
Beatles 80A SBEC G2	3080211	80A/100A	5-18NC\2-6Lipo	75	5V/6V 8A	90*37*10	Yes
Beatles 100A SBEC G2	3100211	100A/120A	5-18NC\2-6Lipo	80	5V/6V 8A	90*37*10	Yes

Connexions des fils

Le contrôleur peut être connecté au moteur soit en le soudant directement, soit à l' aide de connecteurs de haute qualité. Utilisez toujours des connecteurs neufs, qui doivent être soudés aux câbles avec précaution et isolés avec de la gaine thermorétractable. La longueur maximale des fils entre la batterie et le contrôleur ne doit pas dépasser 150 mm.

- Souder les fils du contrôleur à ceux du moteur.
- Soudez un connecteur adapté aux fils d' alimentation.
- Isolez les soudures et les connecteurs avec de la gaine thermorétractable.
- Branchez le connecteur « JR » sur la sortie des gaz du récepteur.
- Les fils Rouge et Noir du contrôleur doivent être connectés respectivement avec les fils Rouge et Noir de la batterie.



Calibrage des gaz

(Important : Procédez au calibrage des gaz lors de la première utilisation du contrôleur !!!)

Allumez l' émetteur, placez le manche des gaz tout en haut.



Branchez la batterie sur le contrôleur et attendez 2 secondes.

Le moteur va émettre plusieurs « Bips », leur nombre représente le nombre d' éléments de la batterie.

Le moteur va bipier deux fois, baissez alors le manche de gaz tout en bas dans les 3 secondes.



Quand le moteur émet « Bip----Bip », ça signifie que le contrôleur est prêt à fonctionner.

Procédure de démarrage normal

Allumez l' émetteur, placez le manche des gaz tout en bas.



Branchez la batterie sur le contrôleur et attendez 2 secondes.

Quand le moteur émet « Bip----Bip », ça signifie que le contrôleur est prêt à fonctionner.

Le moteur va émettre plusieurs « Bips », leur nombre représente le nombre d' éléments de la batterie.

Manuel du contrôleur brushless

PARAMETRES PROGRAMMABLES (Les options en gras sont les paramètres par défaut)

1. Fonction SMR (Reverse) : OFF/ON

Cette fonction permet d' inverser le sens de rotation du moteur afin de ralentir lors de l' atterrissage, une fois l' avion au sol. Par défaut sur OFF, la prise à 1 broche de signal est totalement invalide dans ce cas.

Si vous voulez l' activer, utilisez l' Application Mobile ou de l' émetteur pour la programmer sur « ON », branchez la prise à 3 broches sur la voie des gaz du récepteur, et branchez la prise à 1 broche sur une voie auxiliaire du récepteur commandée par un interrupteur à 2 positions. La fonction est alors activée, vous pouvez changer de sens de rotation en basculant l' interrupteur à deux positions.

ATTENTION : Cette fonction ne peut être utilisée que quand les gaz sont à moins de 50 % et ne doit être utilisée exclusivement que quand l' avion est posé au sol, sans quoi, cela peut griller le contrôleur !

2. Type de frein : **OFF**/Doux/Moyen/Fort

3. Timing : **Auto**/Bas/Moyen/Haut (5°/15°/25°)

4. Sens de rotation du moteur : **Horaire**/Antihoraire

5. Fonction SR : ON/**OFF** La fonction de rectification synchrone améliore l' efficacité de gestion du contrôleur et économise de l' énergie.

6. Nombre d' éléments : **Auto**/2S/3S/4S/5S/6S

7. Seuil de tension de coupure en cas de tension faible : OFF / NiMH 50% / NiMH 60% / **3,0V** / 3,2V / 3,4V / 3,6V Par exemple : en utilisant 3 éléments de batterie au lithium avec le réglage sur 3,0V comme tension de coupure, le seuil de protection sera de $3 \times 3,0 = 9,0 \text{ V}$.

8. Type de coupure en cas de tension faible : **Réduction de**

puissance/Coupure franche

Réduction de puissance : Quand la tension atteint le seuil de protection sélectionné, le contrôleur va réduire la puissance à 70%.

Coupure franche : Quand la tension atteint le seuil de protection sélectionné, le contrôleur coupe immédiatement la puissance.

9. Tension du SBEC (Pour les contrôleurs 40A, 50A, 60A, 80A et 100A) : **5,0V**/6,0V.

10. Accélération : **Normale**/Douce

FONCTIONS DE PROTECTION

1. Protection au démarrage : Si le moteur ne parvient pas à démarrer normalement dans les 2 secondes après avoir monté les gaz pour démarrer, le contrôleur coupe la puissance de sortie et vous devez refaire le calibrage des gaz, après quoi le contrôleur peut redémarrer. Causes possibles : déconnexion ou mauvais contact entre le contrôleur et le moteur, hélice ou moteur bloqué par un quelconque objet, réducteur endommagé, etc.

2. Protection contre la surchauffe : Quand la température du contrôleur dépasse les 110 °C environ, le contrôleur réduit automatiquement la puissance de sortie en protection à 70% de la puissance maximale afin de laisser assez de puissance pour éviter un crash.

3. Protection en cas de perte de signal : Le contrôleur réduit la puissance de sortie si le signal des gaz est perdu durant 1 seconde, et la coupe complètement si le signal des gaz est perdu durant 2 secondes. Si le signal revient durant la coupure de la puissance, le contrôleur restaure immédiatement le contrôle des gaz. De cette façon, le contrôleur ne sera pas protégé lorsque la perte de signal est inférieure à 2 secondes, mais uniquement lorsque la perte de signal est supérieure à 2 secondes ou plus. Et le contrôleur réduira progressivement la puissance de sortie au lieu de la couper immédiatement, de sorte que l' utilisateur dispose d'un certain temps pour sauver l'avion, en tenant compte de la sécurité et de l' aspect pratique.

4. Protection contre la surcharge : Le contrôleur coupe la puissance de sortie ou redémarre automatiquement quand la charge augmente fortement et brutalement. Cause possible : le moteur est bloqué.

Entrée en mode de programmation

1. Allumer l' émetteur, placez le manche de gaz tout en haut.
2. Connectez la batterie au contrôleur.
3. Attendez 2 secondes, le moteur va émettre un son spécial genre « Bip-bip-bip ».
4. Attendez 3 secondes supplémentaires, le moteur émet une mélodie type « 123 », indiquant l' entrée dans le mode de programmation

Paramètres programmables

Après être entré en mode de programmation, vous entendrez 11 types de tonalités en boucle selon la séquence suivante :

Tonalités	Paramètre programmable	
1). « Bip »	Fonction SMR (Reverse)	(1 son court)
2). « Bip.Bip »	Type de frein	(2 sons courts)
3). « Bip.Bip.Bip »	Timing moteur	(3 sons courts)
4). « Bip.Bip.Bip.Bip »	Sens de rotation du moteur	(4 sons courts)
5). « Biiiiiiip-- »	Fonction SR	(1 son long)
6). « Biiiiiiip--Bip »	Nombre d' éléments de batterie	(1 long, 1 court)
7). « Biiiiiiip--Bip.Bip »	Seuil tension de coupure (sous tension)	(1 long, 2 courts)
8). « Biiiiiiip--Bip.Bip.Bip »	Type de coupure (sous tension)	(1 long, 3 courts)
9). « Biiiiiiip--Bip.Bip.Bip.Bip »	Tension du BEC	(1 long, 4 courts)
10). « Biiiiiiip--Biiiiiiip-- »	Accélération	(2 sons longs)
11). « Biiiiiiip--Biiiiiiip--Bip »	Réinitialisation aux paramètres d' usine	(2 longs, 1 court)

Note : 1 bip long = 5 bips courts

Réglage de la valeur des paramètres

En abaissant complètement le manche de gaz dans les deux secondes suivant une des tonalités indiquées ci-dessus, le paramètre est sélectionné. Une fois le paramètre sélectionné, vous entendrez en boucle plusieurs tonalités correspondant aux options du paramètre programmable. Affectez la valeur correspondant à une tonalité en replaçant le manche de gaz tout en haut quand vous entendez cette tonalité, le moteur émet alors une mélodie style « 123 », indiquant que la valeur est réglée et enregistrée.

Par exemple : Si vous voulez régler le sens de rotation du moteur, quand vous entendez 4 bips courts, abaissez le manche de gaz dans les 2 secondes, afin d' entrer dans le menu du sens de rotation. Un bip court correspond au sens horaire, deux bips courts correspondent au sens antihoraire. Si vous voulez choisir le sens antihoraire, remontez le manche de gaz tout en haut quand vous entendez 2 bips courts, après quoi vous entendrez la mélodie de confirmation style « 123 », confirmant que le sens antihoraire est réglé et enregistré.

En gardant le manche de gaz tout en haut, vous revenez au mode de programmation et vous pouvez sélectionner d' autres paramètres ; Sinon, en abaissant le manche de gaz tout en bas dans les 2 secondes, vous sortez directement du mode de programmation.

Manuel du contrôleur brushless

Tableau de référence des tonalités pour la programmation

Tonalités	“Bip”	“bip.bip”	“bip.bip.bip”	“bip.bip.bip.bip”	“biiiiiiip-”	“biiiiiiip--biiiiiiip”	“biiiiiiip- -biiiiiiip.bip”
Paramètres	1 son court	2 sons courts	3 sons courts	4 sons courts	1 son long	1 long, 1 court	2 longs, 1 court
Fonction SMR	*OFF	ON					
Type de frein	*OFF	Freinage léger	Freinage moyen	Freinage puissant			
Timing moteur	*Auto	Faible	Moyen	Haut			
Sens de rotation moteur	*Horaire	Antihoraire					
Fonction SR	ON	*OFF					
Nombre d' éléments	*Auto	2S	3S	4S	5S	6S	
Seuil de tension de coupure	OFF	NIMH 50%	NIMH 60%	*3.0V	3.2V	3.4V	3.6V
Type de coupure	*Réduction de puissance	Coupure franche					
Tension du BEC	*5V	6V					
Accélération	*Normale	Douce					
Réinitialisation aux paramètres d' usine	Réinitialisation						

❗ Note : « * » Indique la valeur par défaut.

Dépannage

Problème	Cause possible	Solution
Après mise sous tension, le contrôleur émet les sons correspondant au nombre d' éléments, mais le moteur ne peut pas tourner.	La plage des gaz du contrôleur n' est pas réglée.	Réglez la plage des gaz du contrôleur.
Après mise sous tension, le moteur de tourne pas et aucun son n' est émis.	1.Mauvaise connexion entre le contrôleur et la batterie. 2.Mauvaises soudures faisant de mauvais contacts. 3.Tension de la batterie trop faible. 4.Problème de qualité du contrôleur.	11.Nettoyez ou remplacez les connecteurs, contrôlez la polarité. 2.Refaitez les soudures. 3.Contrôlez la batterie, utilisez une batterie complètement chargée. 4.Changez le contrôleur.
Après mise sous tension, le moteur de tourne pas et aucun son n' est émis. Les servos ne fonctionnent pas non plus.	1.Mauvaise connexion ou pas de connexion entre la batterie et le contrôleur. 2.Pas d' alimentation. 3.Mauvaises soudures au niveau des connexions. 4.Inversion de polarité des câbles. 5.Connecteur de la voie des gaz branché à l' envers sur le récepteur.	Contrôlez toutes les connexions et assurez-vous que vous avez tout fait correctement.
Le moteur ne fonctionne pas mais les servos marchent.	1.Mauvaise connexion ou pas de connexion entre la batterie et le contrôleur. 2.Bobinages du moteur brûlés. 3.La tension de la batterie dépasse la plage de tension admissible. 4.Le manche de gaz n' est pas tout en bas. 5.Le calibrage de la voie des gaz n' est pas fait.	1.Contrôlez toutes les connexions et assurez-vous que vous avez tout fait correctement. 2.Changez le moteur. 3.Refaitez les soudures. 4.Contrôlez le pack de batterie, utilisez une batterie complètement chargée. Refaitez le calibrage de la plage de la voie des gaz.
Lors de la mise sous tension du contrôleur, le moteur ne marche pas et une alarme sonne (bips continus).	Le manche de gaz n' est pas tout en bas lors de la mise sous tension.	Abaissez complètement le manche de gaz.
Le moteur tourne dans le mauvais sens.	Inversion de polarité des fils entre le contrôleur et le moteur.	Inversez deux des trois fils entre le moteur et le contrôleur, ou entrez en mode de programmation et inversez le paramètre de sens de rotation du moteur.
Le moteur s' arrête en vol.	Perte du signal des gaz.	Contrôlez le fonctionnement de votre ensemble radio. Revoyez le positionnement du contrôleur, du récepteur, ainsi que la position de l' antenne du récepteur par rapport au contrôleur.

警告



警告：在组装、调整及飞行前请务必认真阅读产品说明书以熟知产品的特性。请严格按照说明书提示进行飞机的组装、调整及飞行。如操作不当会造成产品本身损坏及其它财产损失，甚至造成严重的人身伤害。

声明：模型不是玩具，具有一定的危险性，操作者需要具备一定的飞行经验，初学者请在专业人士指导下操作。禁止十四岁以下儿童操作、飞行。

安全须知

本产品飞行由无线电遥控器控制，在飞行过程中可能会受到外界强信号源干扰而导致失控，甚至坠机。因此，在飞行过程中务必始终与飞机保持一定的安全距离，避免意外碰撞、受伤。

- 请勿在发射器电池低电量的情况下操纵模型飞机。
- 请勿在公路、人群、高压线密集区、机场附近及其它法律法规明确禁止飞行的场合飞行。
- 请勿在雷雨、大风、大雪或者其它恶劣气象环境下飞行。
- 请严格遵照产品指导说明及安全警告操作本产品及其相关配置（例如充电器、电池等）。
- 请勿将相关化工类产品、零部件、电子部件等置于儿童可触及的范围。
- 请勿将电子件暴露于潮湿的环境中，以免造成损坏。
- 请勿将本品任意处置于口中，以免造成人身伤亡。

锂聚合物电池使用安全须知

- 使用锂聚合物电池时，须严格遵守制造商说明、要求并了解相关风险，使用不当会导致锂聚合物电池起火，从而造成严重的财产损失甚至人身伤害。
- 禁止使用变形、胀气的锂聚合物电池。
- 禁止使用过充、放电的锂聚合物电池，避免发生危险。长时间不使用须将锂聚合物电池放电至存储电压（3.8~3.85V / 节）。锂聚合物电池须储存在室内干燥区域（4.5~48.5℃），禁止将锂聚合物电池置于阳光下暴晒或车内，高温可能会导致锂聚合物电池起火，造成财产损失和人身伤害。
- 请使用专用充电器对锂聚合物电池进行充放电，禁止使用其它如：镍氢电池充电器。充放电时，禁止将锂电池放置于高温物体表面，建议使用锂电池防爆袋。不正确的充放电操作会对锂聚合物电池造成损伤，甚至会引起火灾，造成财产损失和人身伤害。
- 禁止将锂聚合物电池单节电压放至低于 3V，禁止给已损坏的锂聚合物电池充电。
- 锂聚合物电池充放电须在有人看管的情况下进行，避免发生意外造成不必要的损失。

飞机电池充电警告：

请确保使用合格的电池充电器给锂电池充电。在使用充电器前，请认真阅读充电器说明书。充电过程中，请确保把电池置于耐热的表面。建议把锂电池置于防火充电袋内充电，防火充电袋可在相关模型实体店或网上买到。

产品特点

当美国准备飞得更高更快的时候，B.D.Maule正在一个安静的乡村角落里努力工作，发展他对飞机的设想，让飞行员有能力做完全相反的事情——飞得更慢更低。从那时起，Maule航空公司就以其著名的短距起落能力和它所带来的价值在全球范围内蓬勃发展。

FMS 1500mm Maule（莫尔）最大限度地复刻了真机最为人称道的特征。在轻量耐用的EPO泡沫材料和功能性襟翼的辅助下，FMS莫尔有同真机几乎相同水平的低速操控性能和短距起降能力。三米以内，即可起飞。与此同时，FMS本着一贯坚持的“精于静，精于动”的产品理念，尽可能地保留了大量的真机细节，从晶莹剔透的机舱窗户和舱内装饰，到蒙皮线、天线、铆钉、扰流板、功能性LED灯，莫尔打破了同尺寸同类型飞机所能拥有的像真度的极限。

莫尔出厂配备两套起落架装置——大尺寸轮胎起落架和浮筒起落架，配以预安装的能兼容3S，4S的无刷动力系统，给予莫尔充足的动力征服各种光滑或粗糙的地面（轮胎起落架）和享受水上起降滑行的乐趣（浮筒起落架）。

FMS莫尔——Maule公司官方授权认证产品，带她去你的飞机场，感受无与伦比的飞行乐趣吧。

特征：

- 动力配置：高性能3541电机，40A电调。
- 像真细节：座舱、飞行员、蒙皮线、天线、铆钉、扰流板、功能LED灯。
- 两套起落架装置：大尺寸轮胎起落架和浮筒起落架。
- 全机组装免胶水：螺丝组装结构，只需数颗螺丝即可完成整架飞机的拆装工作。
- 功能性襟翼，实现低速飞行和短距起降操控。

目录

产品特点	42
产品组成	42
机体安装	43
电池安装	46
接收机连接示意图	47
遥控器设置	47
夹头安装方式	48
舵角和舵机摇臂安装	48
重心调整	48
飞行前准备	49
故障检修指导	50
配件列表	50
电调使用说明	51

产品组成

在组装产品之前，请仔细检查以下配件，如有缺失或者损坏，请及时联系当地店面或者邮件至厂家（support@fmsmodel.com），告知缺失或损坏的配件名称及编码（请在本说明书尾页查看相应的配件编码）。请注意，不同配置，包装盒内部物品不同。

产品参数

翼展: 1500 mm (59in)

机身长: 1100mm (43.3in)

飞行重量: 大约 1871g

电机: 3541-KV1050

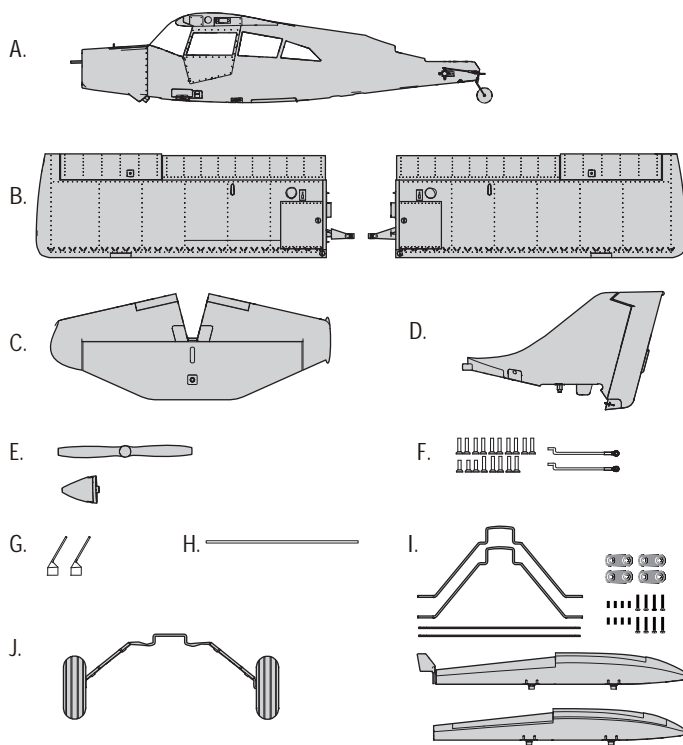
翼载荷: 52.4g/dm² (0.12oz/in)

翼面积: 35.7dm² (553.3sq.in)

电调: 40A

舵机: 9g*7

电池: 11.1V 2200-3200mAh 30C



A: 机身
B: 主翼
C: 平尾
D: 垂尾

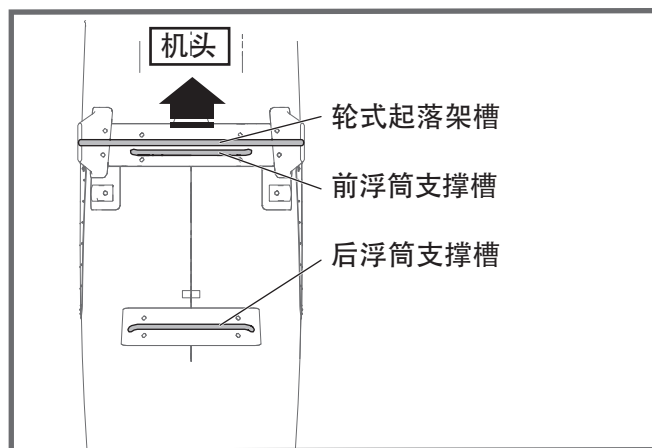
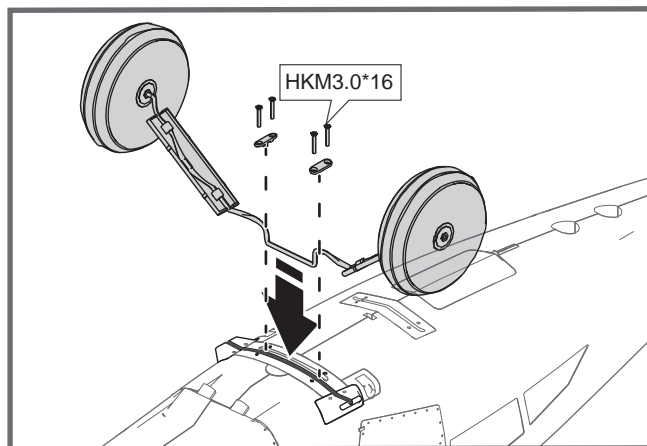
E: 螺旋桨组件
F: 螺丝组和连接钢丝
G: 天线
H: 主翼对接管

I: 浮筒组
J: 起落架组

机体安装

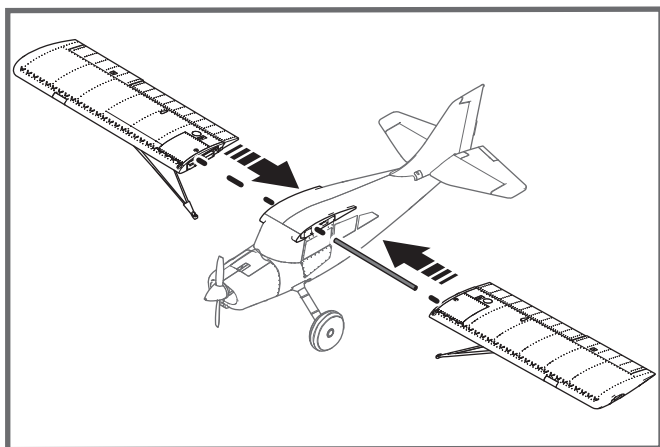
起落架安装

1. 如图所示，保持机身底部朝上，将起落架组装入机身底部相应槽位。
2. 使用所附4颗螺丝和垫片固定起落架。



主翼安装

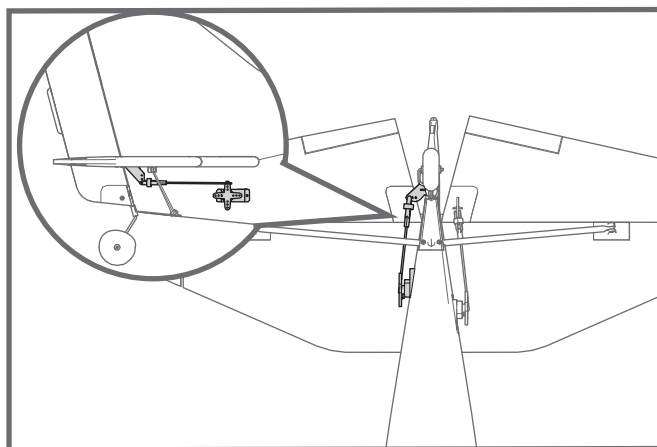
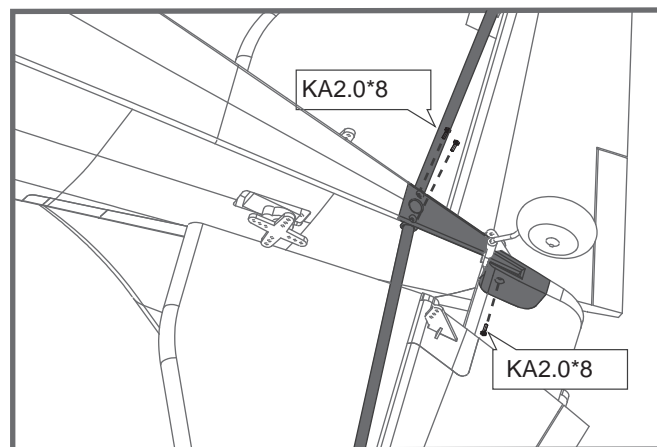
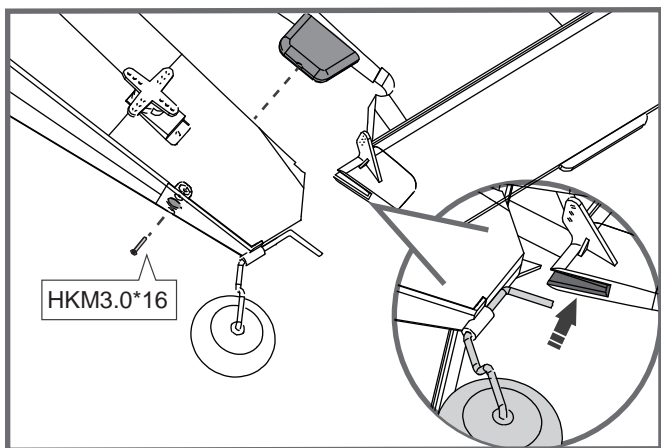
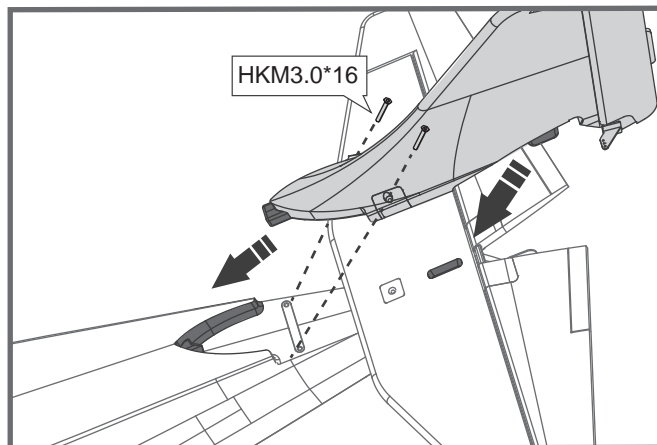
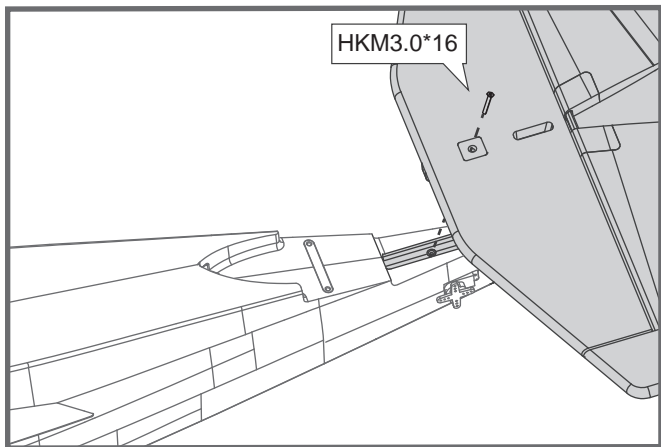
1. 将主翼对接管装入机身槽位，安装左右两侧机翼。
2. 将主翼里的舵机和LED灯接头连接至机身，注意：确保主翼里的接头分别连接至机身正确的延长线上。
3. 如图所示，使用所附4颗螺丝固定机翼。
4. 如图所示，使用所附2颗螺丝固定斜撑至机身。



机体安装

尾翼安装

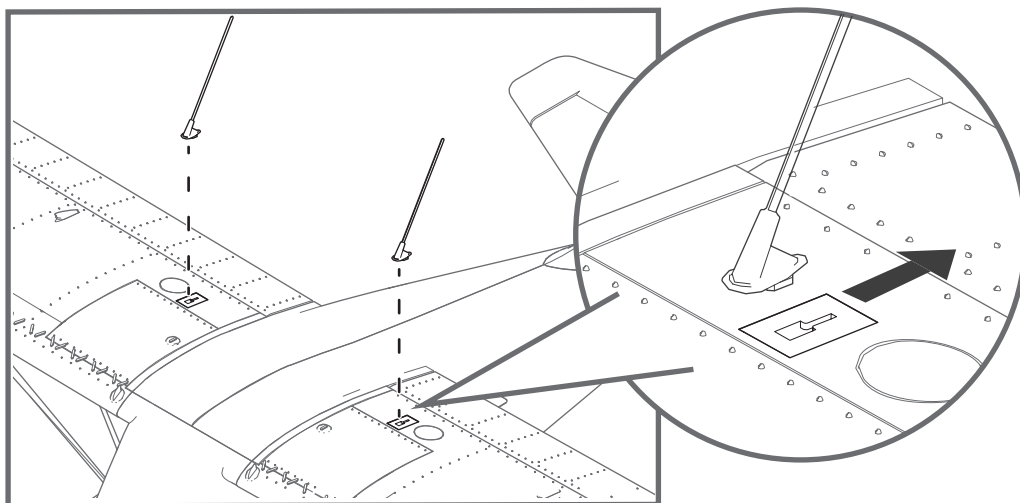
1. 如图所示，将平尾安装至机身，使用所附1颗螺丝固定。
2. 如图所示，将垂尾滑扣至机身尾部，使用所附2颗螺丝自机身上方固定垂尾。
3. 如图所示，使用所附1颗螺丝自机身下方固定垂尾，并将尾轮钢丝装入垂尾塑胶件的槽位中
4. 轻微弯曲机尾支杆，将其装入机身槽位，使用所附2颗螺丝固定支杆，使用所附1颗螺丝固定尾轮。
5. 将平尾和垂尾连接杆上的U型夹扣装至相应舵角最外侧的孔位。



机体安装

天线安装

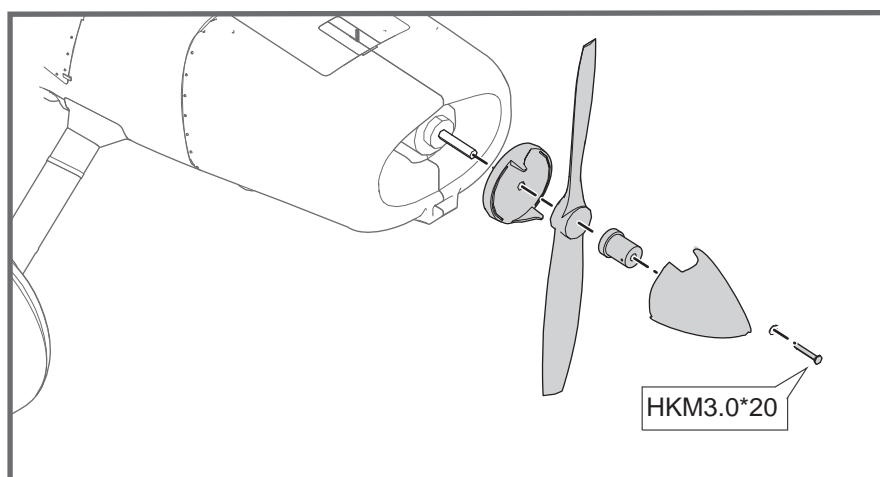
1. 如图所示，将天线安装至机翼顶部的塑胶槽位里，向机尾方向滑动固定。



螺旋桨安装

1. 如图依序安装桨罩背板、螺旋桨、垫圈和桨罩紧固件。
2. 拧紧桨罩紧固件，直至螺旋桨牢固固定。
3. 所有所附螺丝固定桨罩。

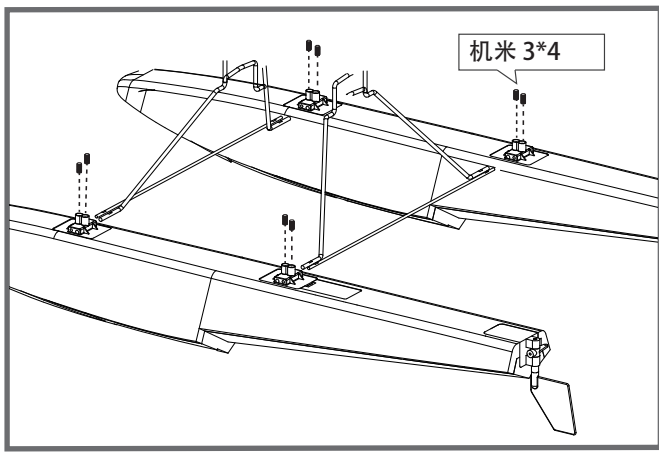
注意：电机的转动方向应该是顺时针方向（机体后方视角）。按照相反的顺序拆卸。



机体安装

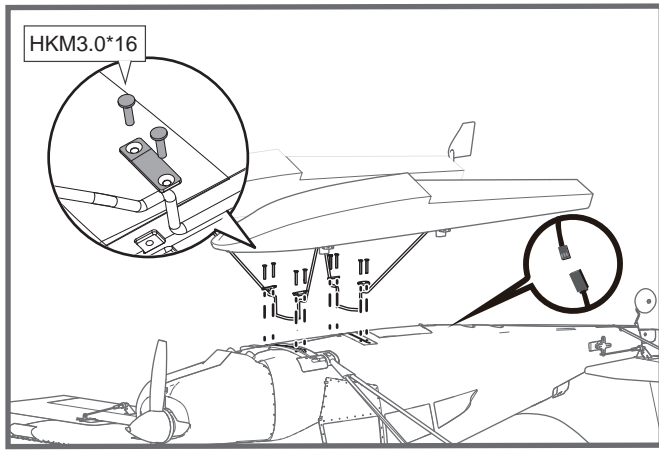
浮筒安装

1. 如图所示，在左右浮筒泡沫之间安装两个横梁和浮筒支撑杆，使用所附8颗螺丝固定支撑杆。



2. 如图所示，将装上支撑杆的浮筒组安装至机身底部，使用所附8颗螺丝和塑胶压片固定。
3. 连接浮筒舵机线至机身中的方向舵延长线。

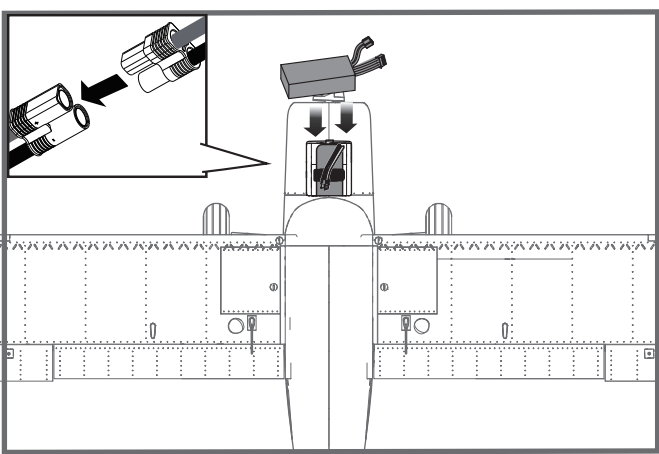
注意：确保插牢浮筒和机身的对接插头。



电池安装

1. 移开电池盖。
2. 取下电池板上的魔术贴（毛面）贴于电池上面。
3. 如图所示，将电池置于电池舱内，用魔术带绑紧，使有电源线的那端朝向飞机的尾部。

注意：由于不同电池厂家生产的电池重量有轻微的差异，需要调整电池的前后位置来平衡飞机的重心位置。



接收机连接示意图

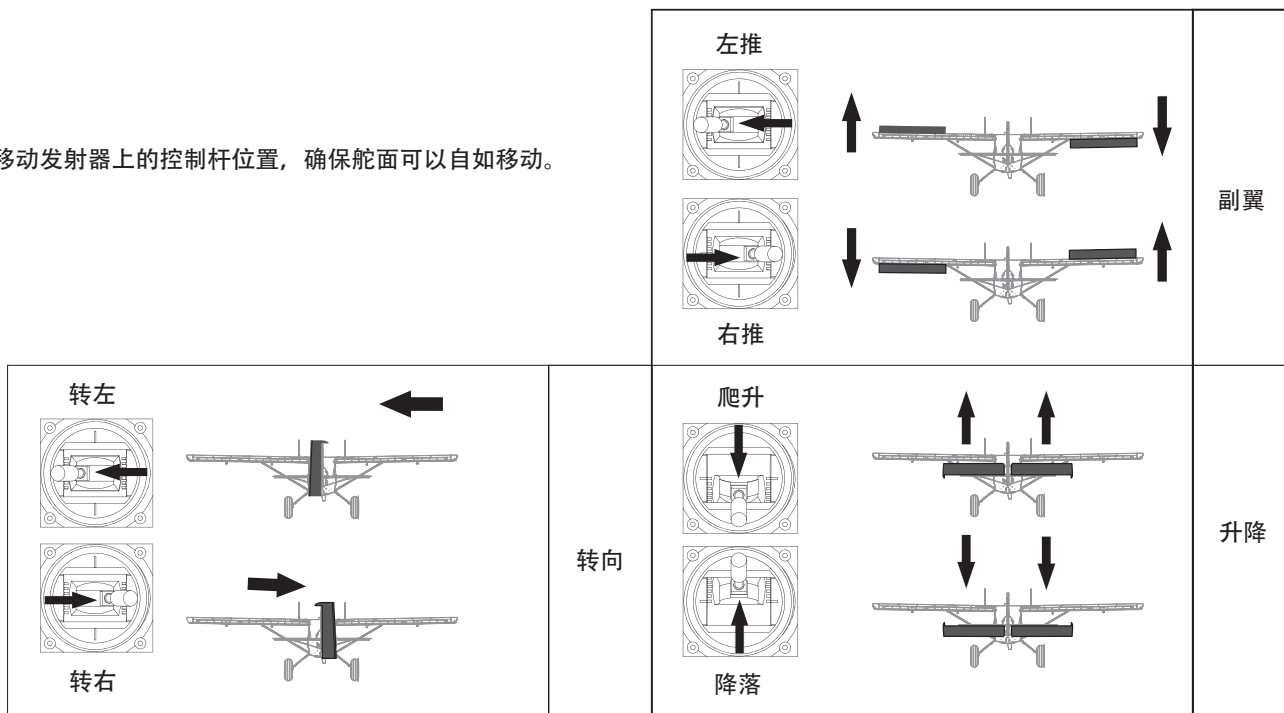
如图所示，以Futaba遥控器为例，将舵机信号线按照图示顺序插入接收机通道，将所有连接线整理整齐并固定在电池舱后部的凹槽里，随后固定好接收机。请注意，如产品配有LED，则LED信号线可插入任何闲置通道。

		Receiver
副翼	1	Channel-1 — Aile
平尾	2	Channel-2 — Elev
油门	3	Channel-3 — Thro
垂尾	4	Channel-4 — Rudd
襟翼	6	Channel-6 — Flap

遥控器设置

警告：为保证安全，在遥控器参数设置及舵面调整过程中，请务必拆下螺旋桨，以免电机意外启动发生事故。遥控器发射机开机前，确保油门杆在最低位置，其它摇杆在中立位置。开发射机并给接收机通电，随后听到电调初始化音（音符释义见后文“电子调速器说明书”）。观察所有舵面是否回中，如果没有回中，尽量通过调整舵机摇臂角度、连杆长度的方式来使舵面回中，若调整长度在安全范围内仍未回中，则使用遥控器通道微调或者菜单中的“SubTrim”选项来使舵面归中。如下图所示观察摇杆动作与舵面动作的对应关系，如发生舵面反向需要使用遥控器中的通道反向功能来纠正。

1.移动发射器上的控制杆位置，确保舵面可以自如移动。



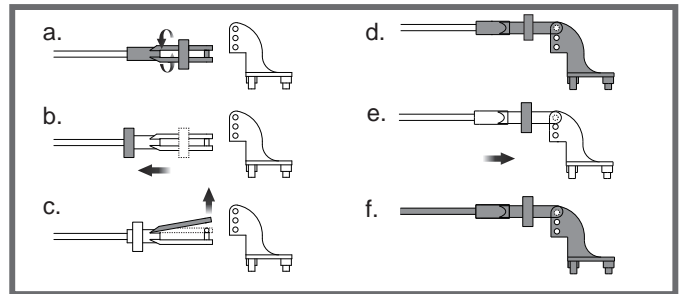
推荐舵面行程

温馨提示：首飞建议用小舵面行程

	大	小
升降舵	18mm up / down	14mm up / down
副翼舵	16mm up / down	12mm up / down
方向舵	28mm left / right	20mm left / right

夹头安装方式

1. 保证舵机为回中状态，将连接杆夹头调整到合适位置。
2. 将 O 型圈移开，打开夹头，将夹头安装到舵角孔位。
3. 将 O 型圈移回相应位置，锁紧夹头。



舵角和舵机摇臂安装

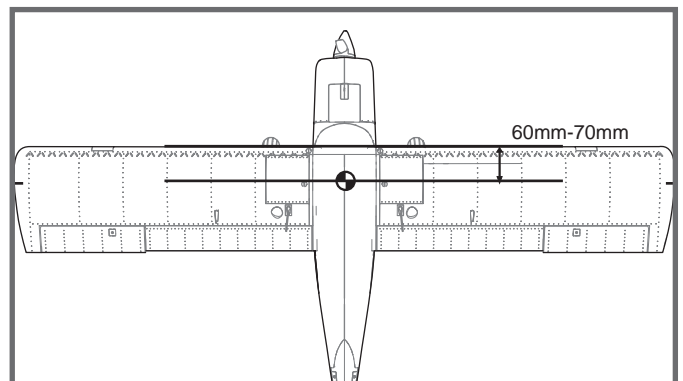
图示是舵角和舵面摇臂的出厂设置。首飞建议用出厂设置的小舵角飞行。首飞后，可按图调整舵角。

	舵角	摇臂	大舵面
平尾			
垂尾			
副翼			
			小舵面

重心调整

通过移动电池在电池舱内的前后位置调整飞机的重心，使飞机保持水平或稍微头重的状态。首飞以后，重心位置可以根据你自己的飞行偏好再做更改。

1. 如图所示，推荐重心位置是机翼前缘往后 60-70mm 处（安装电池以后）。推荐把食指放在机翼下面的重心位置来帮助调整重心。
2. 在调整飞机重心的时候请确定飞机处于组装完毕待飞的状态。



飞行前准备

起飞前的检查

每次飞行前须做严格的地面检查，可有效避免飞行事故的发生。

1. 检查全机螺丝是否安装到位、舵角摇臂连接可靠。机翼快拆装置已锁紧。
2. 安装电池，并调整飞机重心到说明书推荐位置。
3. 动力电池、遥控器发射机电池等已充满电，处于可靠工作状态。
4. 发射机油门杆保持在最低位（推荐使用带有油门锁定功能的遥控设备），打开发射机，随后连接动力电池，待电调初始化完成后检查各个舵面是否回中，是否动作正确。
5. 轻推油门观察螺旋桨转向是否正确。

所有检查完成后，方可进行飞行，初学者首次飞行需要有经验的爱好者协助完成，避免因操作不当发生飞行事故。

合适的飞行场地

航模飞行须远离人群、建筑物、树木、高压线及禁飞区的空旷场地（至少 2-3 个足球场大小）。初学者飞行前需要向有经验的爱好者询问相关安全事宜。

关于飞行时间

厂家推荐的飞行时间是使用厂家推荐型号的电池，由有经验的爱好者在微风天完成飞行测试得到的飞行时间，该时间与电池参数、飞机全备重量、飞行条件以及飞行手法相关，不同飞行条件可能得到不同的飞行时间。

建议爱好者在飞行时使用遥控器的“计时功能”，建议初始飞行时间设定为 4 分钟，飞行时间倒计时告警后，降落飞机并测量电池电压，方可估算飞行时间并重新调整遥控器计时。如发射机没有计时功能，需要其他设备辅助测算飞行时间，以保证飞行安全。

在电池放电后期，禁止将飞机飞入下风区（风向指向的远端），防止动力不足而导致飞机不能安全返航。

故障检修指导

问题	问题原因	解决方式
油门推杆无响应，但舵机有响应	<ul style="list-style-type: none"> ——电调未连接电机 ——油门通道反向 	<ul style="list-style-type: none"> ——降低油门推杆和油门微调设定 ——反过来重新装油门通道
桨的噪音过大或者震动过大	<ul style="list-style-type: none"> ——桨罩、桨、电机、电机架坏了 ——桨或者桨罩的小部件松动了 ——桨装反了 	<ul style="list-style-type: none"> ——更换损坏的配件 ——把桨、桨夹和桨罩的小部件拧紧 ——反过来重新装桨
飞行时间变短，飞机无力	<ul style="list-style-type: none"> ——电池电量低 ——桨装反了 ——电池坏了 	<ul style="list-style-type: none"> ——重新给电池充电 ——依照电池说明书更换新的电池
飞舵面不动，或者动作响应较慢	<ul style="list-style-type: none"> ——舵面、舵角、连接杆、舵机坏了 ——连接线坏了或者接头松了 	<ul style="list-style-type: none"> ——更换或者维修坏了的配件 ——检查所有连接线，确保所有接头无松动现象
舵面反向	<ul style="list-style-type: none"> ——遥控器发射机通道反向 	<ul style="list-style-type: none"> ——检查通道控制（舵面）方向，调试飞机舵面和遥控器的舵面控制杆
电机无力	<ul style="list-style-type: none"> ——电机或电池坏了 ——电调用了不合适的低压保护装置 	<ul style="list-style-type: none"> ——检查电池、发射机、接收机、电调、电机是否有损坏（如有，请及时更换） ——立刻操控飞机降落，重新给电池充电
接收器的LED灯慢闪	<ul style="list-style-type: none"> ——接收器低电量 	<ul style="list-style-type: none"> ——检查电调和接收器之间的连接 ——检查舵机是否受损 ——检查连接杆是否安装到位

配件列表

FMSRO101	机身	FMSDZ024	电机轴
FMSRO102	主翼（左右机翼）	FMSBM035	电机板
FMSRO103	垂尾	FMSPROP021	桨
FMSRO104	平尾	PRKV1050	3541-KV1050 电机
FMSRO105	座舱组	PRESC001	40A电调
FMSRO106	桨罩	FMSSER9GPW	9克舵机（带防水功能）
FMSRO107	塑胶件组	FMSFLT007	浮筒组
FMSRO108	翼撑（主翼和机尾）		
FMSRO109	起落架钢丝/浮筒起落架钢丝/Y线		
FMSRO110	轮胎组		
FMSRO111	操纵钢丝		
FMSRO112	五金包(含舵角)		
FMSRO113	LED灯组		
FMSRO114	贴纸		
FMSDJ015	电机架		

如需查找产品图片，请登录FMS官方淘宝店<https://fmsmodel.taobao.com>。如需查找电调说明书，则在以上网址搜索栏中搜索关键词“电调”，即可在任何一款电调产品页面查看。

电调使用说明

安全须知

检验无线电接收装置上的正确设置，第一次测试电调和马达时不要在马达上安装螺旋桨或传动小齿轮。只有当您确认了无线电接收装置上的设置正确后方能安装螺旋桨或传动小齿轮。

- 不要使用裂开或被刺破的蓄电池组电池。
- 不要使用会变得过热的电池组。
- 不要使用短路电池或马达接线端。
- 电缆绝缘要用正确的绝缘材料。
- 使用正确的电缆连接器。
- 电池或伺服系统的数量不要超过电调的规定。
- 错误的电池极性会损坏电调。

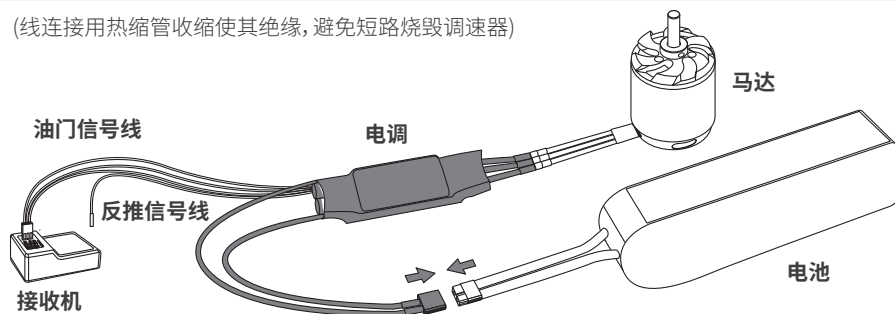
主要特性

1. 功率输出元器件(MOSFET)选用新一代的制作工艺, 发热低, 瞬间承受电流大, 可靠性高。
2. 高性能32位处理器, 运算能力更强, 运行速度更快。
3. 超流畅的启动与精准的油门线性。
4. 效率高, 电调更节能, 续航时间更长。
5. SBEC 5V/6V两档可调, 持续8A电流供应, 给舵机提供更强劲的动力(40A/50A/60A/80A/100A具有SBEC可调)。
6. 多重保护: 启动保护, 过温保护, 低压保护, 缺相保护, 信号丢失保护。
7. 自动识别马达进角, 支持高RPM马达, 可兼容市面上绝大多数马达。
8. 支持手机App或LCD编程, 操作更简单方便(需单独购买ZTW蓝牙模块或LCD编程卡)。

产品规格

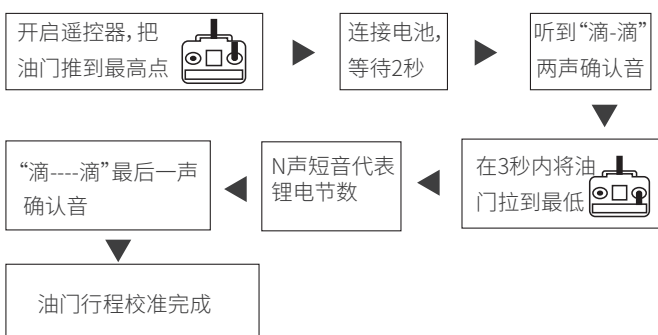
型号	PN#Model	持续/瞬时电流(A)	输入电压	重量(g)	BEC输出	尺寸(mm) 长*宽*高	是否支持编程
Beatles 20A SBEC G2	3020211	20A/30A	5-12NC/2-4Lipo	25	5.5V/4A	60*25*10	是
Beatles 30A SBEC G2	3030211	30A/40A	5-12NC/2-4Lipo	25	5.5V/4A	60*25*10	是
Beatles 40A SBEC G2	3040211	40A/55A	5-12NC/2-4Lipo	37	5V/6V 4A	68*25*10	是
Beatles 50A SBEC G2	3050211	50A/65A	5-12NC/2-4Lipo	37	5V/6V 4A	68*25*10	是
Beatles 60A SBEC G2	3060211	60A/80A	5-18NC/2-6Lipo	50	5V/6V 8A	70*34*10	是
Beatles 80A SBEC G2	3080211	80A/100A	5-18NC/2-6Lipo	75	5V/6V 8A	90*37*10	是
Beatles 100A SBEC G2	3100211	100A/120A	5-18NC/2-6Lipo	80	5V/6V 8A	90*37*10	是

调速器连接线说明 (线连接用热缩管收缩使其绝缘, 避免短路烧毁调速器)

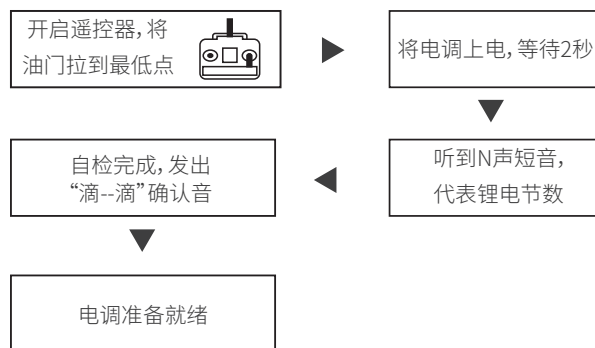


首次使用电调并设置油门行程

温馨提示: 在首次使用本电调或更换其他遥控器使用时, 请务必先重新设定油门行程。



电调的正常启动程序



电调使用说明

编程项简要说明(黑体字为出厂默认值)

1. SMR功能: **关闭** / 打开

通过切换电机正反向,快速停止。出厂默认是关闭,此时1Pin信号线完全无效。如需打开,通过App设置或遥控器编程打开SMR功能,将3Pin信号线接入油门通道,将1Pin信号线接入接收机任意的2段开关通道,打开遥控器2段开关,此时SMR功能开启,拨动遥控器2段开关即可调整电机正反向。

警告:此功能只能在50%油门以下才有效,且只允许在飞机降落至地面使用,否则有可能引起电调烧毁!

2. 刹车力度: **关闭** / 软/中度/最大

3. 进角: **自动** / 低/中/高 (分别为5度/15度/25度)

4. 马达方向: **正向** / 反向

正向:电机默认旋转方向 反向:将电机旋转方向更改

5. SR功能: 打开 / **关闭** 效率更高,更节能,续航时间更长

6. 锂电节数: **自动** / 2S/3S/4S/5S/6S

7. 低压保护点: **3.0V** / 3.2V / 3.4V / 3.6V 例如:使用3节锂电,设定为3.0V为低电压保正值,则低压保护阈值为: $3 \times 3.0 = 9.0V$

8. 保护方式: **降低功率** / 立即关断

降低功率:当达到预设的低压保护阈值时,电调减少输出功率至70%
立即关断:当达到预设的低压保护阈值时,电调立即关断输出功率

9. BEC: **5V** / 6V 40A、50A、60A、80A、100A电调BEC电压输出可设置5V/6V

10. 加速度: **普通** / 柔和

电子调速器编程设置模式

首先将遥控器油门拉杆推至最高位置,打开遥控器电源,将电池组连接到调速器,2秒后电机“滴-滴滴”声响,停3秒,发出123特殊声音,表示进入编程模式。设置音按以下顺序滚动播放:

- | | | |
|------------------|--------|----------|
| 1). “滴” | SMR功能 | (1短音) |
| 2). “滴 滴” | 刹车力度 | (2短音) |
| 3). “滴 滴.滴” | 进角 | (3短音) |
| 4). “滴 滴.滴.滴” | 马达转向 | (4短音) |
| 5). “滴——” | SR功能 | (1长音) |
| 6). “滴——滴” | 电池节数 | (1长1短音) |
| 7). “滴——滴 滴” | 低压保护值 | (1长2短音) |
| 8). “滴——滴 滴.滴” | 电压保护类型 | (1长3短音) |
| 9). “滴——滴 滴.滴.滴” | BEC输出 | (1长4短音) |
| 10). “滴——滴——” | 加速度 | (2长音) |
| 11). “滴——滴——滴” | 恢复出厂默认 | (2长音1短音) |

注:一声长滴相当于五声短滴。

在听到某个提示音后,2S内将油门摇杆打到最低,则进入该设定项,马达会循环鸣叫,在鸣叫某个提示音后将油门摇杆打到最高点,则选择该提示音所对应的设定值,接着会听到123特殊确认音,表示设置成功。

例如:设置马达转向,听到“滴滴滴滴”四短音,表示进入马达转向菜单,在2S内将遥控器油门打到最低,听到“滴”一短音代表正向(CW),“滴滴”两短音代表反向(CCW),如想设置为反向(CCW),则在听到“滴滴”两短音时将油门拉杆打到最高,会听到123特殊确认音,表示设置成功,2秒内将油门拉杆打到最低位置。(如果听到确定音之后,超过2秒油门仍在最高位,则重新进入编程模式)重复以上操作,设置您所需要的各种功能。

退出设定:参数设置成功后,立即将油门拉杆打到最低位置,即表示退出设定。

编程参数表

提示音 设定项	“滴”	“滴.滴”	“滴.滴.滴”	“滴.滴.滴.滴”	“滴——”	“滴——滴”	“滴——滴.滴”
	1短音	2短音	3短音	4短音	1长音	1长1短音	1长2短音
SMR功能	关闭	打开					
刹车力度	关闭	软刹车	中度刹车	最大刹车			
进角	自动	低	中	高			
马达转向	正向(CW)	反向(CCW)					
SR功能	打开	关闭					
电池节数	自动	2S	3S	4S	5S	6S	
低压保护值	关闭	NIMH 50%	NIMH 60%	3.0V	3.2V	3.4V	3.6V
电压保护类型	降低功率	立即关断					
BEC输出	5V	6V					
加速度	普通	柔和					
恢复出厂默认	复位						

注:灰颜色为出厂默认选项参数。

电调使用说明

保护功能

1. 启动保护: 当推油门启动后, 如在两秒内未能正常启动电机, 电调将会关闭电机, 油门需要重新设置, 才可以重新启动。可能原因: 电调与电机接线断开或接触不良、螺旋桨被其他物体阻挡、减速齿卡死等。
2. 温度保护: 当电子调速器工作温度超过 110 度时, 电调将自动降低输出功率进行保护, 但不会将输出功率全部关闭, 最多降到全功率的 70%, 以保证电机留有一定动力, 避免摔机。
3. 油门信号丢失保护: 当电调检测到油门信号丢失 1 秒后, 将自动减少对马达的输出功率, 然后油门信号丢失超过 2 秒, 电调将自动关断马达。如果在降功率过程中油门信号恢复, 电调可以立即恢复油门控制。这样在瞬间信号丢失情况下 (2 秒以下), 电调并不会进行油门保护; 只有当遥控信号确实长时间丢失, 才进行保护, 但电调不是立即关闭输出, 而是有一个逐步降低输出功率的过程, 给玩家留有一定的救机时间, 兼顾安全性和实用性。
4. 过负荷保护: 当负载突然变得很大时, 电调会切断动力, 或自动重启, 出现负载急剧增加的原因通常是马达堵转。

常见问题解答

出现的问题	可能的原因	解决方法
接通电调后有自动检测电池节数声音, 但马达不能启动	电调没有油门行程设置	对电调进行油门行程设置
马达不工作, 连接电池后马达未发音乐声, 伺服系统也未运行	电池组与电调之间接触不良 没接通电源 焊接不牢固 (接头易断) 电池电缆极性错误 电调信号线与接收机连接相位相反 电调有问题	清理连接器终端或替换连接器 用刚充满电的电池组替换 再次焊接电缆连接 检查并确认电缆极性 检查连接在电调上的信号线以确保处于正确极性 更换电调
马达不工作, 连接电池后马达未发出音乐声, 但伺服系统在运行接通电调后马达不工作, 发出警报音 (两声滴滴响后有短暂停顿)	电调与马达之间接触不良 马达线圈被烧 焊接不牢固 (接头易断) 电池组电压超出正常范围	检查连接器终端或替换连接器 替换马达 再次焊接电缆连接 更换为刚充满电的电池组 检查电池组电压
接通电调后马达不工作, 发出警报音 (持续地滴滴响)	通电后油门拉杆不在最小位置	将油门拉杆移至最小位置
接通电调后马达不工作, 电调发出两声长响之后, 有两声更长点的滴滴响	被颠倒的油门通道导致电调进入程序设计模式	进入发射器上的伺服系统 倒转菜单并倒转油门通道
马达反向运行	电调与马达之间错误的电缆连接	交换电调与马达之间三条电缆连接中的任意两条或者通过电调程序设计模式进入马达旋转功能并改变预设参数。
飞行过程中, 马达停止运行	丢失了油门信号	检查无线电接收装置是否操作得当。 检查电调和接收机信号线路及发送频道和电调信号线之间确保有足够的隔离来防止干扰 在电调的信号线上安装一个磁环



MADE IN CHINA