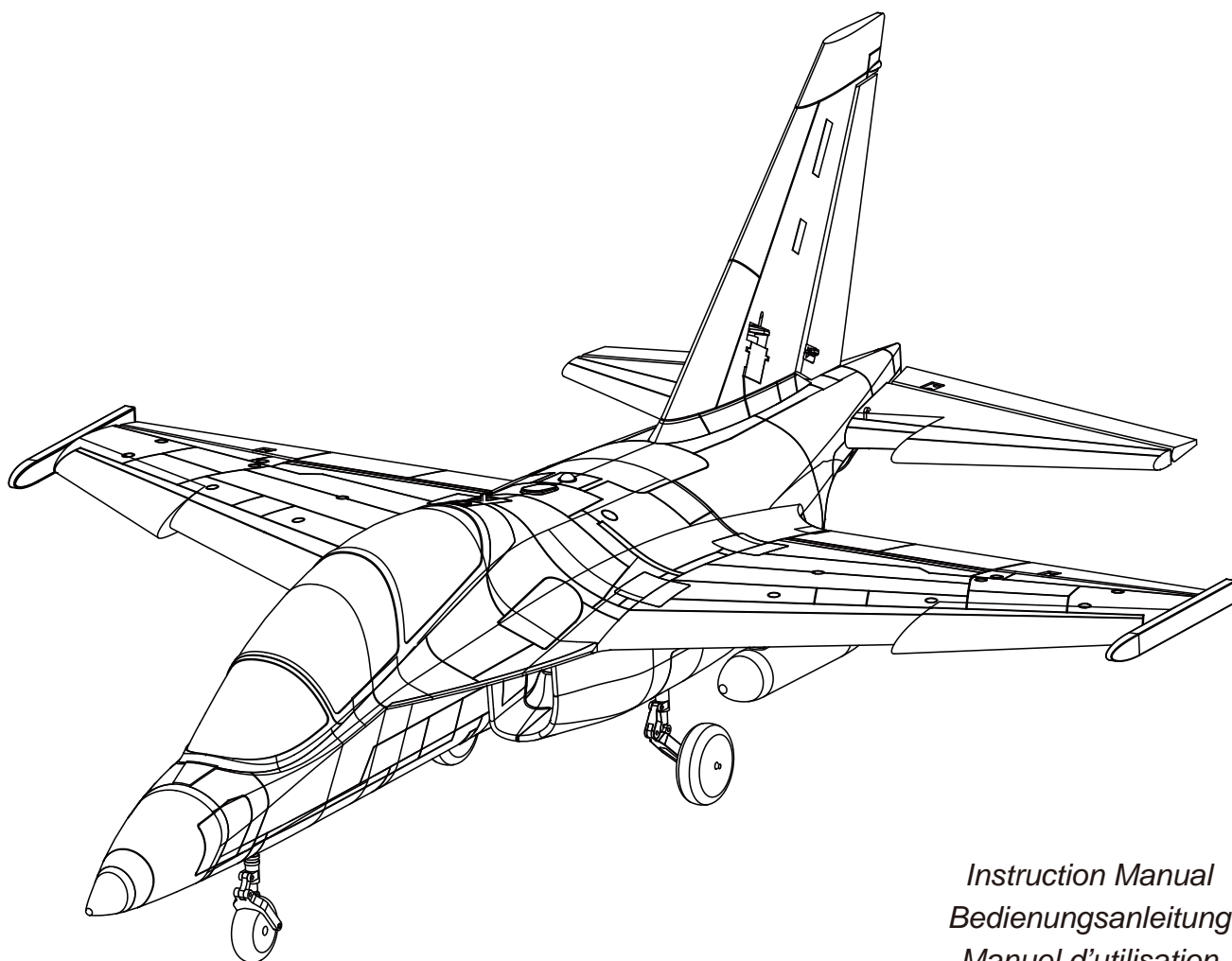




70mm Yak - 130 V2



Instruction Manual
Bedienungsanleitung
Manuel d'utilisation
操作手册

REALISTIC

• RETRACT & FLAPS INSTALLED

RIGID

• STRONG DURABLE EPO

STABLE

• SMOOTH FLYING PERFORMANCE

FMSMODEL.COM

WARNING

WARNING: Read the ENTIRE instruction manual to become familiar with the features of the product before operating. Failure to operate the product correctly can result in damage to the product, personal property and cause serious injury.

This is a sophisticated hobby product and NOT a toy. It must be operated with caution and common sense and failure to do so could result in injury or damage to the product or other property. This product is not intended for use by children without direct adult supervision.

This manual contains instructions for safety operation and maintenance. It is essential to read and follow all the instructions and warnings in the manual prior to assembly, setup or use, in order to operate and avoid damage or serious injury.

Safety precautions and warnings

As the user of this product, you are solely responsible for operating in a manner that does not endanger yourself and others or result in damage to the product or the property of others. This model is controlled by a radio signal subject to interference from many sources outside your control. This interference can cause momentary loss of control so it is advisable to always keep a safe distance in all directions around your model, as this margin will help avoid collisions or injury.

Age Recommendation: Not for children under 14 years. This is not a toy.

- Never operate your model with low transmitter batteries.
- Always operate your model in an open area away from cars, traffic or people.
- Avoid operating your model in the street where injury or damage can occur.
- Never operate the model in populated areas for any reason.
- Carefully follow the directions and warnings for this and any optional support equipment you use (chargers, rechargeable battery packs, etc.)
- Keep all chemicals, small parts and anything electrical out of the reach of children.
- Moisture causes damage to electronics. Avoid water exposure to all equipment not specifically designed and protected for this purpose.
- Never lick or any place of any your model in your mouth as it could cause serious injury or even death.

Safety**Lithium Polymer (Li-Po) Battery Warning**

CAUTION: Always follow the manufacturer's instructions for safe use and disposal of batteries. Fire, property damage, or serious injury can result from the mishandling of Li-Po batteries.

- By handling, charging or using a Li-Po Battery you assume all risks associated with lithium batteries.
 - If at any time the batteries begin to swell or balloon, discontinue use immediately!
 - Always store the batteries at room temperature in a dry area to extend the life of the battery. Always transport or temporarily store the battery in a temperature range of 40-120F. Do not store the battery or model in a car or in direct sunlight. If stored in a hot car, the battery can be damaged or even catch fire.
 - Never use a Ni-Mh Charger to charge Li-Po Batteries. Failure to charge the battery with a Li-Po compatible charger may cause fire resulting in personal injury and property damage.
 - Never discharge Li-Po Cells below 3V.
 - Never leave charging batteries unattended.
 - Never charge damaged batteries.
- Charging the Flight Battery Warning**
- Use a battery charger that is designed to safely charge the Li-Po Battery. Read the charger instructions carefully before use. When charging the battery, make certain the battery is on a heat resistant surface. It is also highly recommended to place the Li-Po Battery inside a fire resistant charging bag readily available at hobby shops or online.

Introduction

Committed to the design and production of cutting-edge scale model aircraft, FMS has dedicated an extraordinary amount of effort in the design of the Yak-130 V2 to ensure that it'll also be at the pinnacle of model aviation.

Finding a balance between scale and performance has always been a challenge, it took numerous prototypes, test flights and modifications to refine the Yak-130 V2 into its final form- FMS is confident that this is the most accurately defined Yak on the market today.

Small details such as the plastic leading edge of the air intake, which reduces turbulent airflow and protects the air duct from debris, are implemented onto the airframe. The panel lines, cockpit interior, scale pilot and even the auxiliary fuel tanks are made with significant attention to detail. Even the way the aircraft is assembled has been optimized- with a screw-together airframe, it's now possible to build the Yak-130 V2 in the time it takes to charge the flight battery.

Utilizing the FMS 70mm 12-bladed EDF unit, Predator 2860-1850KV motor and a 80A ESC, the Yak-130 V2 has more than enough thrust to tackle the most demanding of maneuvers. Strong, upgraded metal landing gear set provide added support and strength to absorb the impact of less-than-perfect landings. All servos are pre-mounted and are optimized for this aircraft- ensuring absolute reliability and maneuverability. Don't settle for any less than the best- FMS Yak-130 V2.

- Upgraded and detailed metal landing gear set for added support and strength
- Metal-gearred servos for precise and accurate control surface movements
- Scale details- pilot figure, auxiliary fuel tank, retractable landing gear and flaps
- Retractable landing gear system
- Fully functional flaps
- Ball-linked control horns for precision maneuvers
- Latch-type canopy
- Simplified assembly methods
- Water-based, environmentally-friendly paint for more vibrant colors
- 70mm 12-bladed fan provides high power-to-weight ratio

Table of contents

Introduction	3
Kit contents	3
Model assembly	4
Battery installation	7
Receiver diagram	7
Preflight check	7
Clevis installation	9
Control horn and servo arm settings.....	9
Center of gravity(CG)	9
Before flying the model	10
Flying course	10
Troubleshooting	11
Spare parts list content	11

Kit contents

Before assembly, please inspect the contents of the kit. The photo below details the contents of the kit with labels. If any parts are missing or defective, please identify the name or part number (refer to the spare parts list near the end of the manual) then contact your local shop or email us: support@fmsmodel.com.

Specifications

Wingspan: 880mm(34.6in)

Overall length: 1060mm(41.7in)

Flying weight: ~ 1850g

Motor size: 2860-KV1850

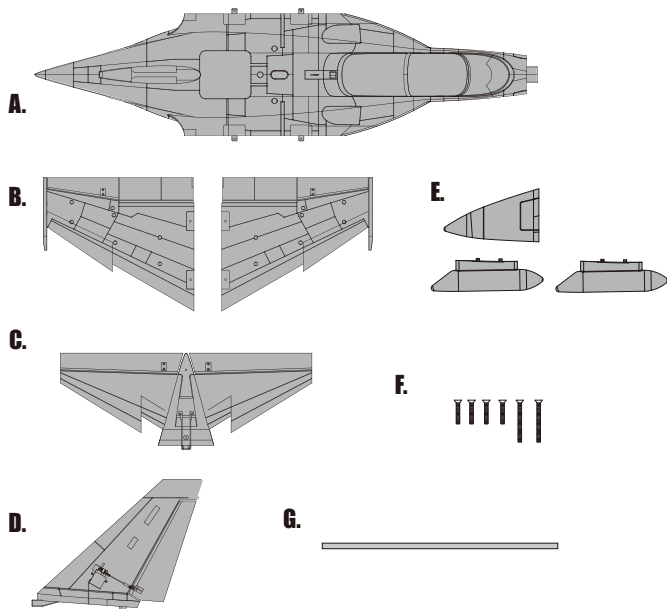
Wing load: 100g/dm²(0.23oz/in²)

Wing area: 19dm²(294.5sq.in)

ESC: 80A

Servo: 9g Servo x 8

Recommended battery: 22.2V 2600-3300mAh 35C

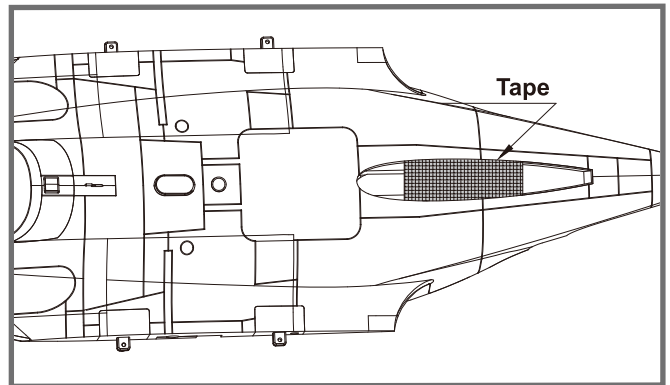


A: Fuselage D: Vertical stabilizer G: Wing tube
 B: Main wing set E: Nose cone and drop tank
 C: Horizontal stabilizer F: Screws (2-HKM3.0*32MM, 4-HKM3.0*16MM)

Model assembly

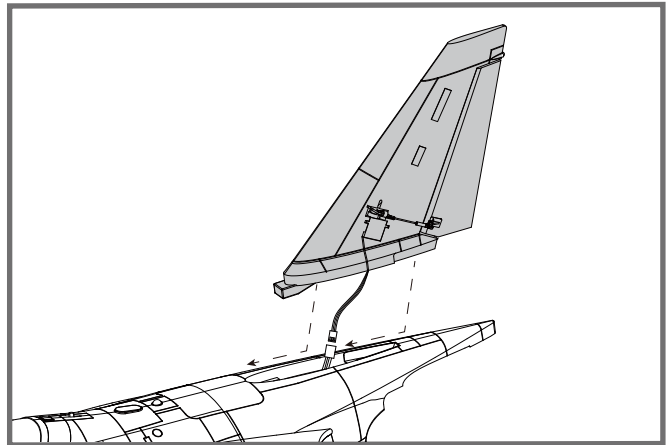
Vertical stabilizer installation

1.Remove the top layer of the double sided tape on the rear of the fuselage as picture shows.



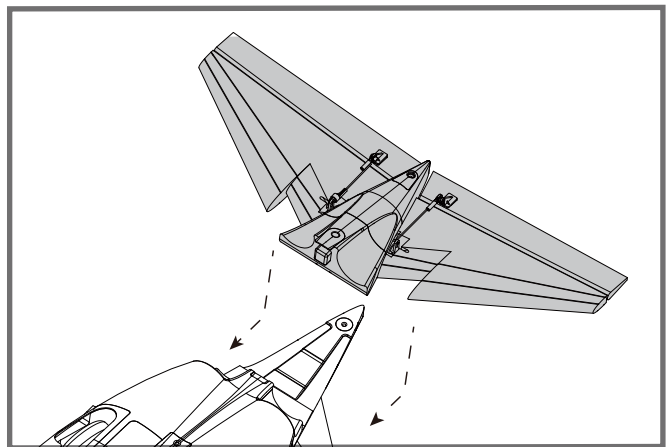
- 2.Connect the rudder servo connectors to the servo extensions in the fuselage.
- 3.Carefully slide the vertical tail assembly into the slot in the fuselage.

Note:Do not crush or damage the wiring when attaching the vertical tail assembly.



Horizontal stabilizer installation

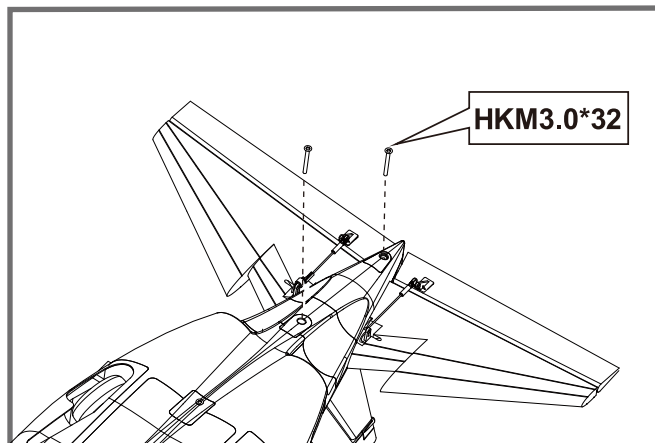
1.Slide the horizontal tail in the rear of the fuselage.Ensure the control horn faces down.



Model assembly

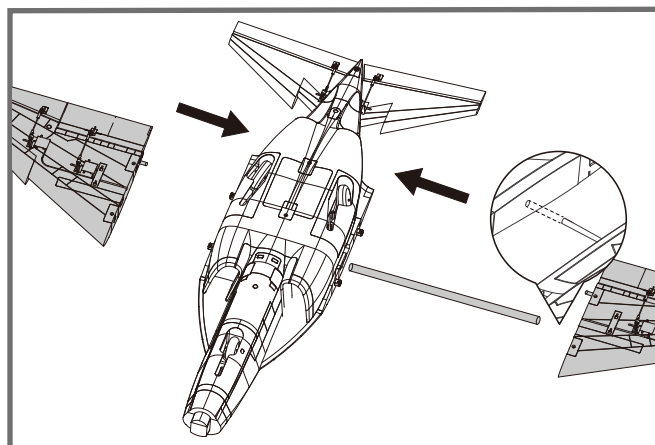
2. Secure the horizontal tail pieces in the place using the included two screws.

Note: Do not over-tighten the screws.

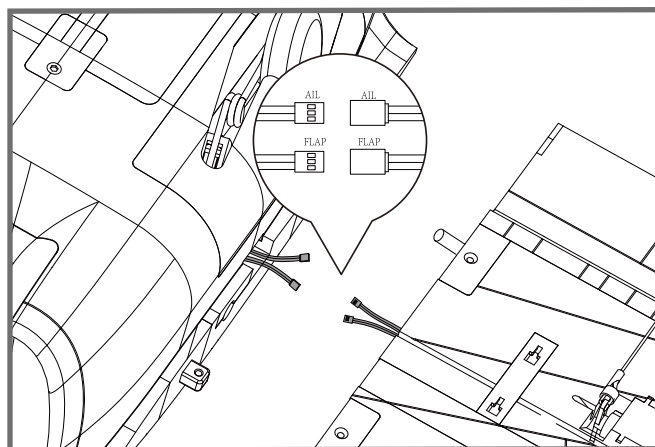


Main Wing installation

1. Slide the tube into the fuselage then install both wings over the wing tube and into the wing slot of the fuselage.

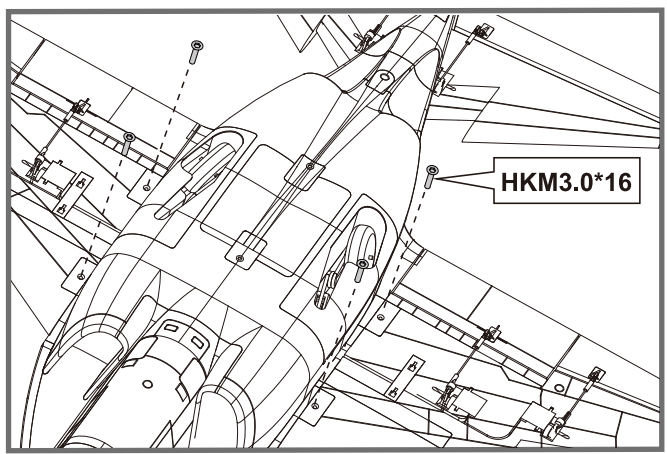


2. Connect the aileron servo connectors and flap servo connectors to the servo extensions in the fuselage.



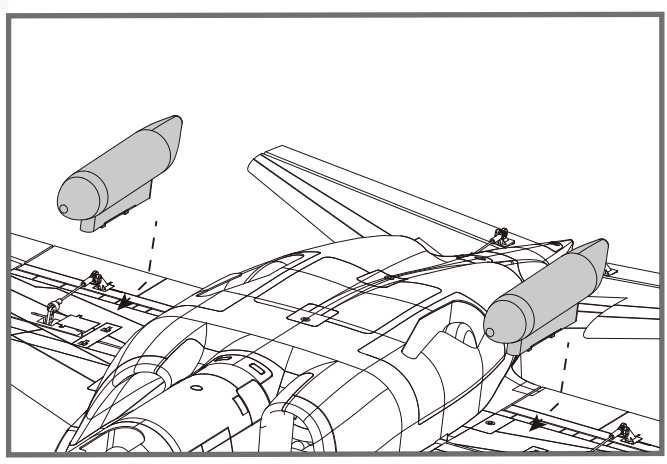
Model assembly

3. Secure the left and right wings into the fuselage using the included 4 screws.



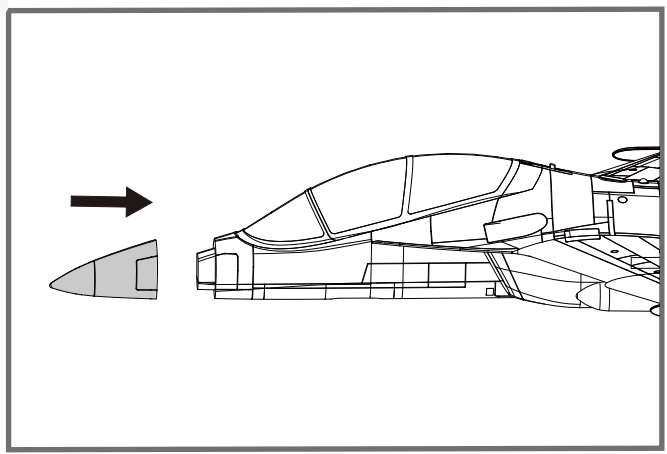
Drop tank

1. Slide the optional drop tanks into the rails on each wing.



Nose cone

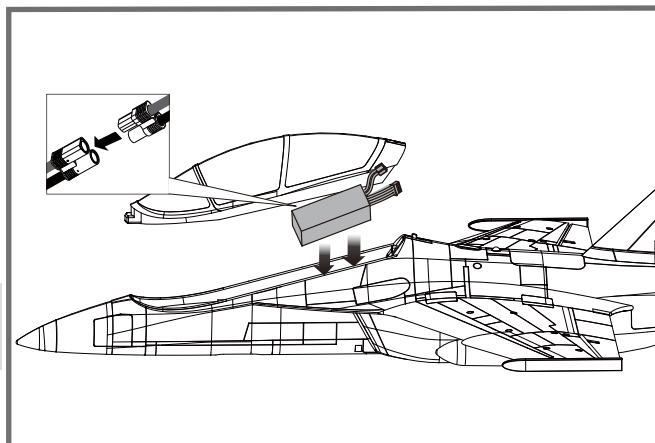
1. Install the nose cone on the fuselage.



Battery installation

1. Pull back on the latch, releasing the canopy.
2. Remove the canopy, revealing the battery compartment.
3. Apply hook and loop tape to the battery.
4. Install a fully charged battery into the battery compartment, with the battery cables facing aft.

Note: The center of gravity can be adjusted by moving the battery forward or aft. Having the correct center of gravity is critical to achieving proper flight characteristics.



Receiver diagram

The cables from the servo connector board should be connected to your receiver in the order shown. Tuck the wire leads into the recessed cavity towards the rear of the battery hatch.

		Receiver
Aileron	1	Channel-1 — Aile
Elevator	2	Channel-2 — Elev
Throttle	3	Channel-3 — Thro
Rudder	4	Channel-4 — Rudd
Gear	5	Channel-5 — Gear
		Spare Channel

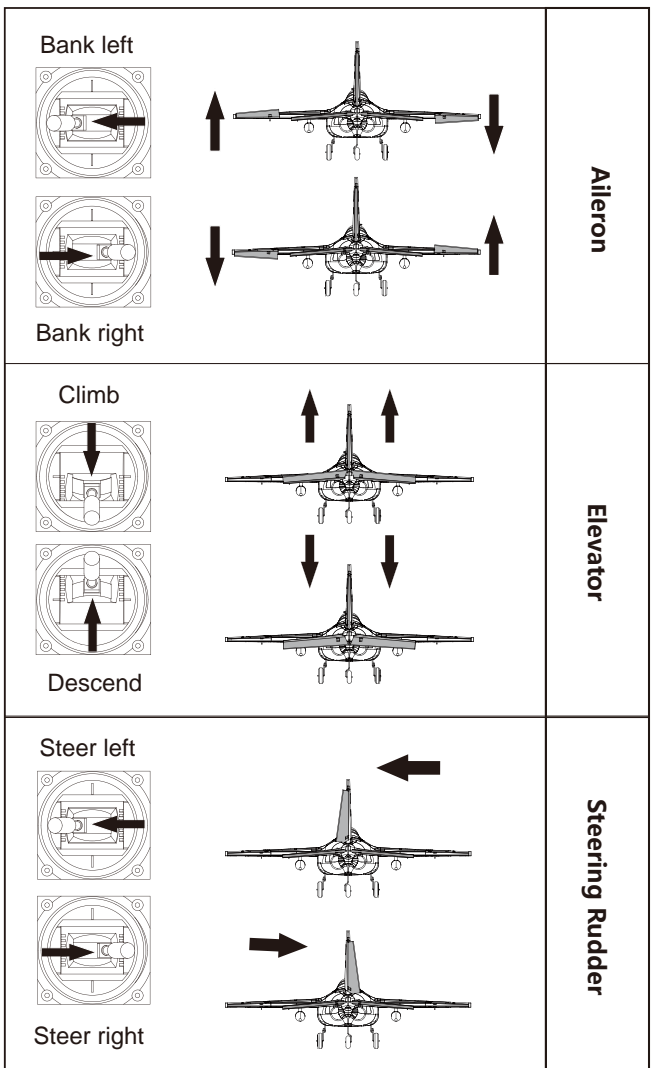
Preflight check

Important ESC and model information

1. The ESC included with the model has a safe start. If the motor battery is connected to the ESC and the throttle stick is not in the low throttle or off position, the motor will not start until the throttle stick is moved to the low throttle or off position. Once the throttle stick is moved to the low throttle or off position, the motor will emit a series of beeps. Several beeps with the same tune means the ESC has detected the cells of the battery. The count of the beeps equals the cells of the battery. The motor is now armed and will start when the throttle is moved.
2. The motor and ESC come pre-connected and the motor rotation should be correct. If for any reason the motor is rotating in the wrong direction, simply reverse two of the three motor wires to change the direction of rotation.
3. The motor has an optional brake setting. The ESC comes with brake switched off and we recommend that the model be flown with the brake off. However, the brake could be accidentally switched on if the motor battery is connected to the ESC while the throttle stick is set at full throttle. To switch the brake off, move the throttle stick to full throttle and plug in the motor battery. The motor will beep one time. Move the throttle stick to low throttle or the off position. The motor is ready to run and the brake will be switched off.
4. Battery Selection and Installation. We recommend the 22.2V 2600-3300mAh 35C Li-Po battery. If using another battery, the battery must be at least a 22.2V 2600-3300mAh 35C battery. Your battery should be approximately the same capacity, dimension and weight as the 22.2V 2600-3300mAh 35C Li-Po battery to fit the fuselage without changing the center of gravity significantly.

Transmitter and model setup

Before getting started, bind your receiver with your transmitter. Please refer to your transmitter manual for proper operation.
CAUTION: To prevent personal injury, DO NOT install the propeller assembly onto the motor shaft while testing the control surfaces. DO NOT arm the ESC and do not turn on the transmitter until the Transmitter Manual instructs you to do so.
 Tips: Make sure all control sticks on your radio are in the neutral position (rudder, elevator, ailerons) and the throttle is in the OFF position. Make sure both ailerons move up and down (travel) the same amount. This model tracks well when the left and right ailerons travel the same amount in response to the control stick. Move the controls on the transmitter to make sure the aircraft control surface moves correctly. See diagrams right.



Control throws

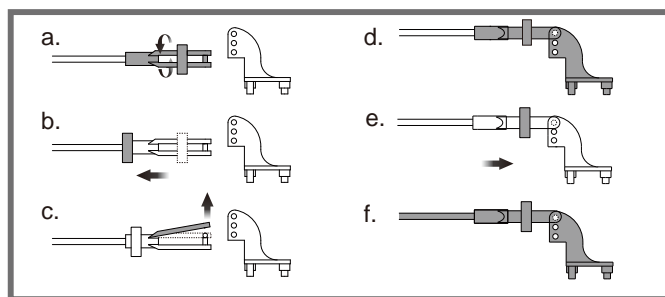
The suggested control throw setting for the YAK-130 V2 are as follows (dual rate setting):

Tips: On the first flight, fly the model in low rate. The first time you use high rates, be sure to fly at low to medium speeds. High rate, as listed, is only for EXTREME maneuvering.

	High Rate	Low Rate
Elevator	15mm up/down	10mm up/down
Aileron	12mm up/down	8 mm up/down
Rudder	20 mm left/right	15mm left/right

Clevis installation

1. Pull the tube from the clevis to the linkage.
2. Carefully spread the clevis, then insert the clevis pin into the desired hole in the control horn.
3. Move the tube to hold the clevis on the control horn.



Control horn and servo arm settings

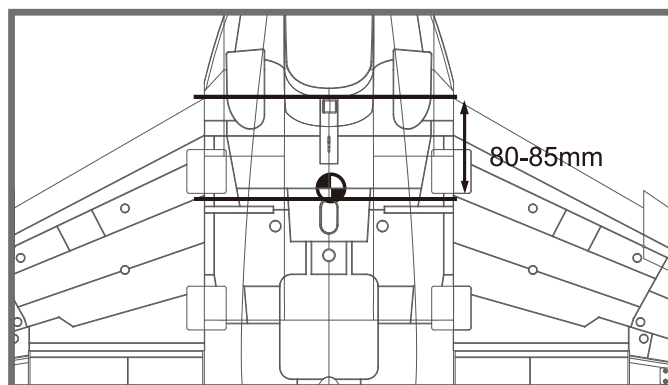
The table shows the factory settings for the control horns and servo arms. Fly the aircraft at the factory settings before making changes. After flying, you may choose to adjust the linkage positions for the desired control response.

	Horns	Arms	More control throw
Elevator			
Rudder			
Ailerons			

Check the C.G. (Center of gravity)

When balancing your model, adjust the battery as necessary so the model is level or slightly nose down. This is the correct balance point for your model. After the first flights, the CG position can be adjusted for your personal preference.

1. The recommended Center of Gravity (CG) location for your model is (80-85mm) from the leading edge of the main wing (as shown) with the battery pack installed. Mark the location of the CG on top of the wing.
2. When balancing your model, support the plane at the marks made on the bottom of the main wing with your fingers or a commercially available balancing stand. This is the correct balance point for your model. Make sure the model is assembled and ready for flight before balancing.



Before flying the model

Find a suitable flying site

Find a flying site clear of buildings, trees, power lines and other obstructions. Until you know how much area will be required and have mastered flying your plane in confined spaces, choose a site which is at least the size of two to three football fields - a flying field specifically for R/C planes is best. Never fly near people - especially children, who can wander unpredictably.

Perform the range check for your plane

As a precaution, an operational ground range test should be performed before the first flight each time you go out. Performing a range test is a good way to detect problems that could cause loss of control such as low batteries, defective or damaged radio components, or radio interference. This usually requires an assistant and should be done at the actual flying site you will be using.

First turn on the transmitter, then install a fully-charged battery into the fuselage. Connect the battery and install the hatch.

Remember, use care not to bump the throttle stick. Otherwise, the propeller/fan will turn and possibly cause damage or injury.

Note: Please refer to your Transmitter Manual that came with your radio control system to perform a ground range check. If the controls are not working correctly or if anything seems wrong, do not fly the model until you correct the problem. Make certain all the servo wires are securely connected to the receiver and the transmitter batteries have a good connection.

Monitor your flight time

Monitor and limit your flight time using a timer (such as on a wristwatch or in your transmitter if available). When the batteries are getting low you will usually notice a performance drop before the ESC cuts off motor power, so when the plane starts flying slower you should land. Often (but not always) power can be briefly restored after the motor cuts off by holding the throttle stick all the way down for a few seconds. To avoid an unexpected dead-stick landing on your first flight, set your timer to a conservative 4 minutes. When your alarm sounds you should land right away.

Flying course

Take off

While applying power, slowly steer to keep the model straight. The model should accelerate quickly. As the model gains flight speed you will want to climb at a steady and even rate. It will climb out at a nice angle of attack (AOA).

Flying

Always choose a wide-open space for flying your plane. It is ideal for you to fly at a sanctioned flying field. If you are not flying at an approved site always avoid flying near houses, trees, wires and buildings. You should also be careful to avoid flying in areas where there are many people, such as busy parks, schoolyards, or soccer fields. Consult laws and ordinances before choosing a location to fly your aircraft. After takeoff, gain some altitude. Climb to a safe height before trying technical manoeuvres, including high speed passes, inverted flight, loops, and point rolls.

Landing

Land the model when you hear the motor pulsing (LVC) or if you notice a reduction in power. If using a transmitter with a timer, set the timer so you have enough flight time to make several landing approaches. The model's three point landing gear allows the model to land on hard surfaces. Align model directly into the wind and fly down to the ground. Fly the airplane down to the ground using 1/4-1/3 throttle to keep enough energy for proper flare. Before the model touches down, always fully decrease the throttle to avoid damaging the propeller or other components. The key to a great landing is to manage the power and elevator all the way to the ground and set down lightly on the main landing gear. After a few flights you will find the model can be set down lightly on the mains and you can hold the nose wheel off balancing the model on the mains until it slows and gently settles the nose.

Maintenance

Repairs to the foam should be made with foam safe adhesives such as hot glue, foam safe CA, and 5min epoxy. When parts are not repairable, see the Spare Parts List for ordering by item number. Always check to make sure all screws on the aircraft are tightened. Pay special attention to make sure the spinner is firmly in place before every flight.

Trouble shooting

Problem	Possible Cause	Solution
Aircraft will not respond to the throttlebut responds to other controls.	-ESC is not armed. -Throttle channel is reversed.	-Lower throttle stick and throttle trim to lowest settings. -Reverse throttle channel on transmitter.
Extra propeller noise or extra vibration.	-Damaged spinner, propeller, motor or motor mount. -Loose propeller and spinner parts. -Propellor installed backwards.	-Replace damaged parts. -Tighten parts for propeller adapter, propeller and spinner. -Remove and install propeller correctly.
Reduced flight time or aircraft underpowered.	-Flight battery charge is low. -propeller installed backward. -Flight battery damaged.	-Completely recharge flight battery. -Replace flight battery and follow flight battery instructions.
Control surface does not move, or is slow to respond to control inputs.	-Control surface, control horn, linkage or servo damage. -Wire damaged or connections loose.	-Replace or repair damaged parts and adjust controls. -Do a check of connections for loose wiring.
Controls reversed.	Channels are reversed in the transmitter.	Do the control direction test and adjust controls for aircraft and transmitter.
-Motor loses power -Motor power pulses then motor loses power.	-Damage to motor, or battery. -Loss of power to aircraft. -ESC uses default soft Low Voltage Cutoff(LVC).	-Do a check of batteries, transmitter, receiver, ESC, motor and wiring for damage(replace as needed). -Land aircraft immediately and recharge flight battery.
LED on receiver flashes slowly.	Power loss to receiver.	-Check connection from ESC to receiver. -Check servos for damage. -Check linkages for binding.

Spare parts list content

FMSPS101RED-1	Fuselage	FMSDF12B70	Ducted fan (12-blade)
FMSPS102RED	Main wing set	PRKV1850	2860-KV1850 motor
FMSPS103RED	Vertical stabilizer	PRESC023	80A ESC
FMSPS104RED	Horizontal stabilizer	FMSSER9MGDP	9g digital metal gear servo positive
FMSPS105RED	Cockpit	FMSSER9MGDR	9g digital metal gear servo reverse
FMSPS106RED	Cowl	FMSRE045	Electronic retract
FMSPS107	Linkage rod	FMSRE012	Electronic retract
FMSPS108	Screw set		
FMSPS109-1	Front landing gear set		
FMSPS109-2	Main landing gear set		
FMSPS110-1	Main landing gear system		
FMSPS111-1	Front landing gear system		
FMSPS112	Pipe		
FMSPS113RED	Decal sheet		
FMSPS114RED	Fuel tanks		

Visit our website: www.fmsmodel.com to see photo of this product. Enter the key word "ESC" in the search bar for the stock ESC instruction manual.

Warnhinweise



WARNUNG: Lesen Sie die GESAMTE Bedienungsanleitung, um sich vor der Inbetriebnahme mit den Funktionen des Produkts vertraut zu machen.

Wenn das Produkt nicht ordnungsgemäß bedient wird, kann dies zu Schäden am Produkt oder persönlichem Eigentum führen und schwere Verletzungen verursachen.

Dieses Produkt ist kein Spielzeug! Es muss mit Vorsicht und gesundem Menschenverstand betrieben werden.

Andernfalls kann es zu Verletzungen oder Schäden am Produkt oder anderen Sachwerten führen. Dieses Produkt ist nicht für den Betrieb durch Kinder ohne direkte Aufsicht von Erwachsenen vorgesehen.

Diese Anleitung enthält Hinweise zu Sicherheit und Wartung. Es ist wichtig, dass vor der Verwendung alle Anweisungen und Warnungen in der Anleitung gelesen und befolgt werden, um Schäden oder schwere Verletzungen zu vermeiden.

Sicherheitsvorkehrungen

Als Benutzer dieses Produkts sind Sie allein dafür verantwortlich dieses Produkt so zu betreiben, dass weder Sie selbst noch andere gefährdet oder Schäden am Produkt oder Eigentum anderer verursacht werden.

Dieses Modell wird von einem Funksignal gesteuert, das von vielen Quellen außerhalb Ihrer Kontrolle gestört werden kann. Solche Störungen können zu einem vorübergehenden Kontrollverlust führen. Daher sollte immer einen Sicherheitsabstand zu Personen und Gebäuden eingehalten werden.

Altersempfehlung: Nicht für Kinder unter 14 Jahren. Dies ist kein Spielzeug.

- Betreiben Sie Ihr Modell niemals mit leeren Senderbatterien.
- Betreiben Sie Ihr Modell immer in einem offenen Bereich, abseits von Gebäuden, Verkehr oder Personen.
- Befolgen Sie die gesetzlichen Regelungen Ihres Landes zum Betrieb von ferngesteuerten Modellflugzeugen.
- Befolgen Sie sorgfältig die Anweisungen und Warnungen für dieses und alle unterstützenden Geräte, die Sie verwenden (Ladegeräte, wiederaufladbare Akkus usw.).
- Bewahren Sie alle Chemikalien, Kleinteile und elektrischen Geräte außerhalb der Reichweite von Kindern auf.
- Feuchtigkeit verursacht Schäden an der Elektronik. Vermeiden Sie, dass die Produkte Wasser ausgesetzt werden, die nicht speziell für diesen Zweck entworfen und geschützt sind.
- Nehmen Sie Teile des Produkts niemals in den Mund, da dies zu schweren Verletzungen oder sogar zum Tod führen kann.

Hinweise zu LiPo-Akkus

VORSICHT: Befolgen Sie immer die Anweisungen des Herstellers zur sicheren Verwendung und Entsorgung von Batterien. Durch falsche Handhabung von Li-Po-Batterien können Feuer, Sachschäden oder schwere Verletzungen verursacht werden.

- Seien Sie sich über alle Risiken klar, die mit dem Umgang von Lithium Polymer (LiPo) Akkus verbunden sind. Wenn die Akkus zu irgendeinem Zeitpunkt anschwellen oder aufblähen, verwenden Sie diese auf keinen Fall mehr!
- Um die Lebensdauer des Akkus zu verlängern sollten dieser bei Zimmertemperatur in einem trockenen Bereich gelagert werden. Bewahren Sie den Akku oder das Modell nicht in einem Auto oder in direktem Sonnenlicht auf. Wenn der Akku über einen längeren Zeitraum zu hohen Temperaturen ausgesetzt wird kann dieser beschädigt werden oder sogar Feuer fangen.
- Verwenden Sie niemals ein NiMH-Ladegerät, um Li-Po-Akkus aufzuladen. Wenn der Akku nicht mit einem Li-Po-kompatiblen Ladegerät geladen wird, kann dies zu einem Brand führen, der zu Personen- und Sachschäden führen kann.
- Niemals Li-Po Zellen unter 3V entladen.
- Lassen Sie Akkus beim Laden niemals unbeaufsichtigt.
- Laden Sie niemals beschädigte Akkus auf.
- Aufladen des LiPo-Akkus: Verwenden Sie ein Ladegerät, das die Li-Po-Batterie sicher aufladen kann. Lesen Sie vor dem Gebrauch die Anweisungen des Ladegeräts sorgfältig durch. Achten Sie beim Laden des Akkus darauf, dass sich der Akku auf einer hitzebeständigen Oberfläche befindet. Es wird auch dringend empfohlen, den Li-Po Akku in einem feuerbeständigen LiPo-Koffer zu laden. LiPo Koffer finden Sie bei Ihrem Fachhändler oder im Internet.

Einleitung

Das Gleichgewicht zwischen Maßstab und Leistung zu finden war im Flugmodellssport schon immer eine Herausforderung. Um ein ideales Flugverhalten zu erreichen braucht es zahlreiche Prototypen, Testflüge und Modifikationen um das Modell in seine endgültige Form zu bringen. FMS ist genau das mit der Yak-130 gelungen – und bringt mit der V2 nun eine noch bessere Version des Jets auf den Markt. Zahlreiche aerodynamische Optimierungen die das Modell noch besser, und neue Scale Details, die das Modell noch detailgetreuer machen als seinen Vorgänger. Zudem wurde die Art der Montage optimiert. Mit der 70mm 12-Blatt Impeller-Einheit in Verbindung mit einem Predator 2860-1850KV Motor und einem 80A Regler verfügt die Yak-130 V2 über mehr als genug Schubkraft, um selbst die anspruchsvollsten Manöver zu bewältigen. Das neue verstärkte Metallfahrwerk absorbiert auch unsanfte Landungen. Alle Servos sind wie der Antrieb bereits fertig eingebaut. Machen Sie sich bereit für die neue, noch bessere Yak-130 V2 von FMS.

Merkmale:

- Detailliertes einziehbares Metallfahrwerk
- Servos mit Metallgetriebe für präzise Steuerbewegungen
- Zahlreiche Scale Details
- Funktionsfähige Landeklappen
- Kugelgelenk-Ruderhörner für präzise Manöver
- Einfache Montage
- Wasserbasierte umweltfreundliche Lackierung
- Leistungsstarker 70mm 12-Blatt Impeller

Inhaltsverzeichnis

Einleitung ...	13
Lieferumfang ...	13
Montage des Modells.....	14
Einsetzen des Akkus	17
Anschluss an den Empfänger	17
Flugvorbereitungen	17
Montage der Gabelköpfe	19
Ruderhorn- und Servoarminstimmung.....	19
Schwerpunkt	19
Vor dem Erstflug	20
Fluggrundlagen	20
Problemlösungen	21
Ersatzteile	21

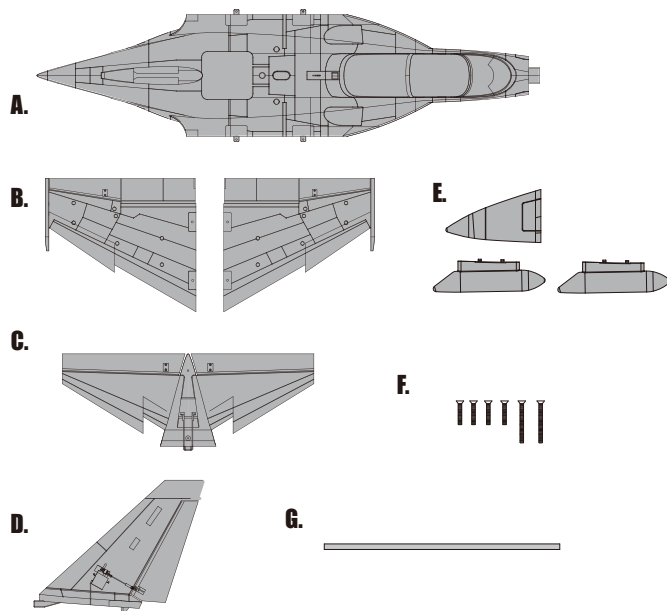
Lieferumfang

Bitte überprüfen Sie vor der Endmontage ob alle Teile des Modells enthalten sind. Das folgende Bild zeigt den Inhalt des Kits.

Sollten Teile fehlen notieren Sie sich bitte den Namen und die Teilenummer (siehe Ersatzteilliste am Ende dieser Bauanleitung) und kontaktieren Sie Ihren lokalen Händler oder senden Sie uns eine E-Mail an info@d-power-modellbau.com.

Technische Daten

Spannweite: 880 mm(34.6in)
Gesamtlänge: 1060 mm(41.7in)
Fluggewicht: ~ 1850 g
Motor: 2860-KV1850
Flächenbelastung: 100g/dm ² (0.23oz/in ²)
Flächeninhalt: 19dm ² (294.5sq.in)
Regler: 80A
Servo: 9g Servo x 8
Empfohlener Akku: 22.2V 2600-3300mAh 35C

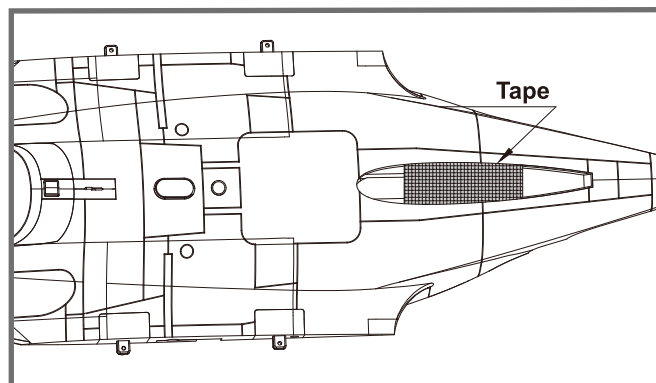


A: Rumpf D: Seitenleitwerk G: Steckungsrohr
 B: Tragfläche E: Nase und Abwurf-Tanks
 C: Höhenleitwerk F: Schrauben

Montage des Modells

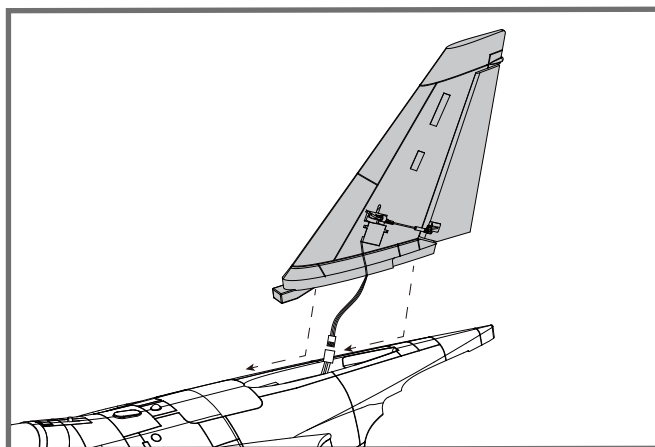
Montage des Seitenleitwerks

1. Entfernen Sie die oberste Schicht des doppelseitigen Klebebandes.



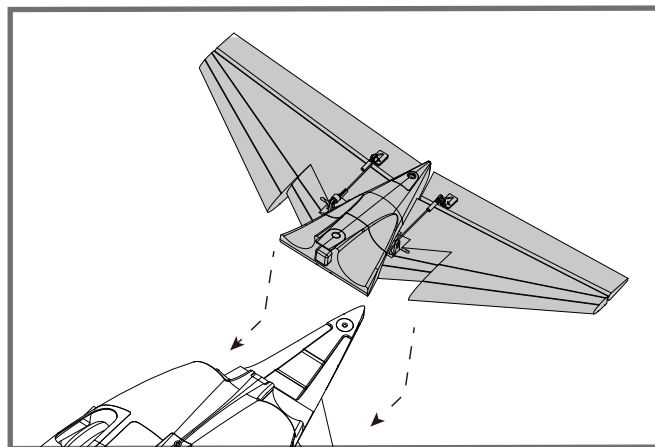
2. Schließen Sie den Servo-Kabelstecker am Kabel im Rumpf an.
3. Schieben Sie das Seitenleitwerk vorsichtig in den Schlitz.

HINWEIS: Achten Sie darauf die Kabellage nicht zu beschädigen.



Montage des Höhenleitwerks

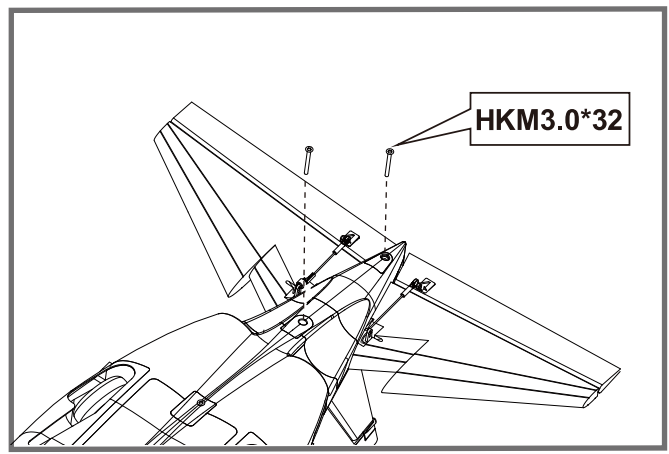
1. Schieben Sie das Höhenleitwerk in den Rumpf. Stellen Sie sicher dass die Ruderhörner nach unten zeigen.



Montage des Modells

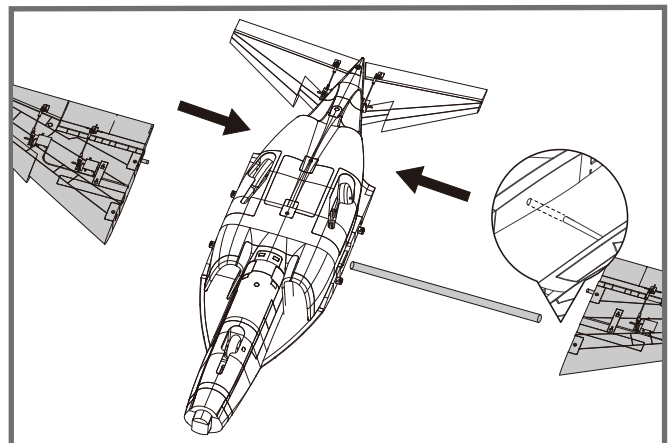
2. Sichern Sie das Leitwerk mit den entsprechenden Schrauben.

HINWEIS: Überdrehen Sie die Schrauben nicht.

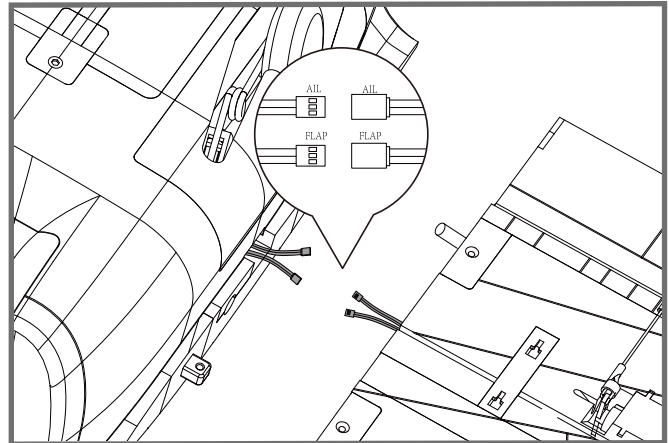


Montage der Tragflächen

1. Schieben Sie das Steckrohr in den Rumpf und stecken Sie die Tragflächen auf .

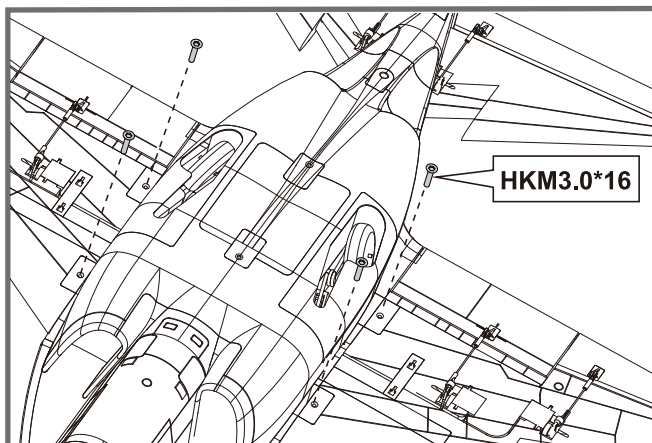


2. Schließen Sie die Querruder-Servokabel an den Servoverlängerungen im Rumpf an .



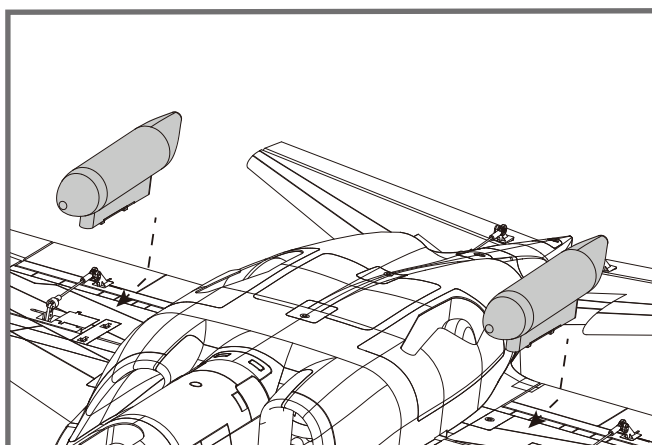
Montage des Modells

3. Sichern Sie beiden Flächen mit den entsprechenden Schrauben .



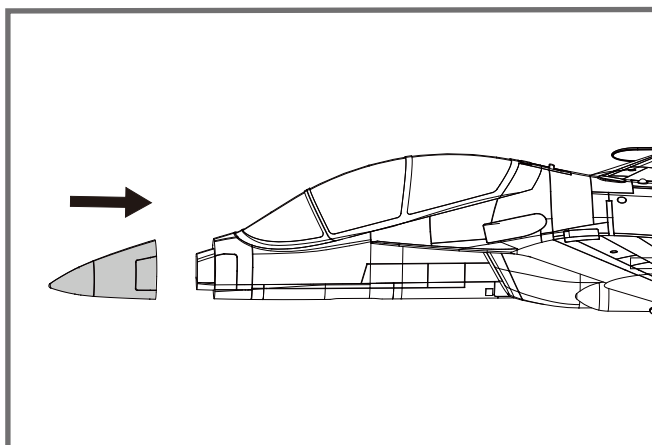
Abwurfanks

1. Schieben Sie die optionalen Abwurfanks auf die Schienen unterhalb der Tragflächen.



Nase

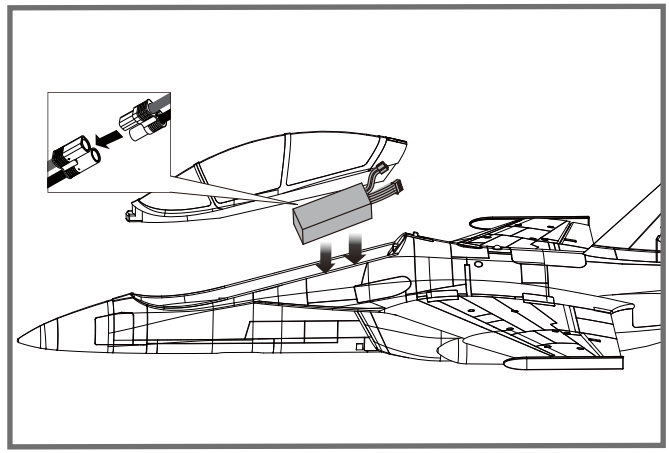
1. Montieren Sie die Nase am Rumpf .



Einsetzen des Akkus

1. Ziehen Sie die Verriegelung zurück.
2. Nehmen Sie die Kabinenhaube ab.
3. Bringen Sie etwas Klettband an Ihrem Akku an
4. Setzen Sie den vollständig geladenen Flugakku in das Akkufach. Die Kabel des Akkus sollten nach hinten zeigen.

Hinweis: Der Schwerpunkt kann durch Verschieben des Flugakkus geändert werden. Ein korrekter Schwerpunkt ist wichtig für die idealen Flugeigenschaften.



Anschluss an den Empfänger

Alle Servokabel werden wie hier abgebildet an Ihrem Empfänger angeschlossen.

		Receiver
Querruder	1	Channel-1 — Aile
Höhenruder	2	Channel-2 — Elev
Gas	3	Channel-3 — Thro
Seitenruder	4	Channel-4 — Rudd
Fahrwerk	5	Channel-5 — Gear
Freier Kanal		

Flugvorbereitungen

Wichtige Informationen zum Regler

1. Der eingebaute Regler ist mit einer Sicherheitsschaltung versehen. Sollte der Akku angeschlossen sein und der Gashebel nicht auf niedrig / Motor aus stehen, wird der Motor nicht starten. Wird der Gashebel ganz nach unten bewegt erzeugt der Regler eine Tonserie. Töne in der gleichen Höhe geben die Anzahl der Zellen an die der Regler gezählt hat. Diese ist gleich mit der Zellenanzahl des Akkus. Der Regler ist jetzt scharf geschaltet und startet den Motor wenn der Gashebel bewegt wird.
2. Motor und Regler sind bereits verkabelt und auch die Drehrichtung des Motors sollte korrekt sein. Sollte der Motor in die falsche Richtung drehen, tauschen Sie zwei der drei Motoranschlusskabel um die Richtung wieder zu ändern.
3. Der Regler ist mit einer optionalen Bremse ausgestattet. Wir empfehlen das Modell mit der deaktivierten Bremse zu fliegen. Es ist möglich die Bremse versehentlich zu aktivieren wenn der Akku mit dem Regler verbunden wird und der Gashebel auf Vollgas steht. Um die Bremse wieder auszuschalten gehen Sie mit dem Gashebel wieder auf Vollgas und verbinden den Akku. Vom Motor ertönt ein Piepton. Bewegen Sie den Gashebel auf Leerlauf oder Motor aus. Der Motor ist dann betriebsbereit und die Bremse ausgeschaltet.
4. Akkuauswahl und Einbau:
Wir empfehlen einen Lipo Akku mit 22.2V (6S), 2600-3300mAh 35C. Sollten Sie einen anderen Akku verwenden muß dieser mindestens die gleichen Spezifikationen in Leistung und Abmessung aufweisen.damit der Schwerpunkt nicht wesentlich geändert wird.

Testen der Steuerfunktionen

Bevor Sie mit diesem Schritt beginnen, binden Sie bitte der Anleitung ihres Senders entsprechend den Empfänger mit dem Sender.

ACHTUNG: Um mögliche Verletzungen zu vermeiden darf der Propeller bei dem Testen der Ruder **NICHT** auf der Welle montiert sein. Armieren Sie den Regler **NICHT** und schalten auch nicht den Sender ein bevor es in der Anleitung des Senders vorgeben wird.

TIPP: Stellen Sie sicher, dass alle Steuerhebel auf dem Sender auf der neutralen Position sind und der Gashebel auf Motor aus.

Stellen Sie sicher, dass beide Querruder den gleichen Weg im Verhältnis zum Steuerknüppelausschlag ausschlagen.

Bewegen Sie die Steuerhebel des Sender um sicher zu stellen, dass sich die Ruder korrekt bewegen.

Sehen Sie dazu die Abbildungen unten. Sollten die Ruder in die falsche Richtung arbeiten reversieren Sie die Funktion. Lesen Sie dazu bitte in der Anleitung des Sender nach.

<p>Rollen links</p> <p>Rollen rechts</p>	<p>Querruder</p>
<p>Steigen</p> <p>Sinken</p>	
<p>Gieren links</p> <p>Gieren rechts</p>	<p>Seitenruder</p>

Ruderausschläge

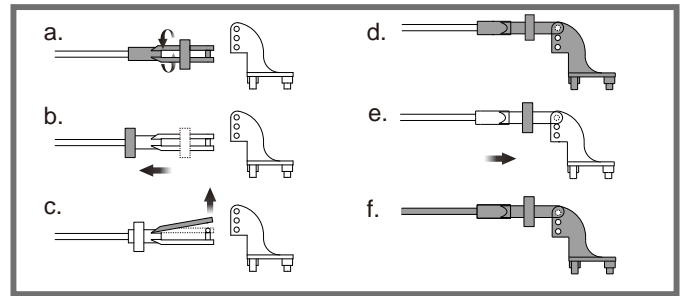
Die empfohlenen Ruderausschlag-Einstellungen sind (Dual Rate):

Tipp: Fliegen Sie das Modell beim ersten Flug mit "normalen Ausschlägen". Wenn Sie zum ersten Mal "maximale Ausschläge" verwenden, sollten Sie bei niedrigen bis mittleren Geschwindigkeiten fliegen.

	maximale Ausschläge	normale Ausschläge
Höhenruder	15mm oben / unten	10mm oben / unten
Querruder	12mm oben / unten	8mm oben / unten
Seitenruder	20mm links / rechts	15mm links / rechts

Montage der Gabelköpfe

1. Ziehen Sie den Ring vom Gabelkopf zum Gestänge.
2. Spreizen Sie den Gabelkopf vorsichtig und führen Sie den Gabelkopfstift in das gewünschte Loch im Ruderhorn ein.
3. Befestigen Sie den Ring um den Gabelkopf am Ruderhorn zu halten.



Ruderhorn- und Servoarm-Einstellungen

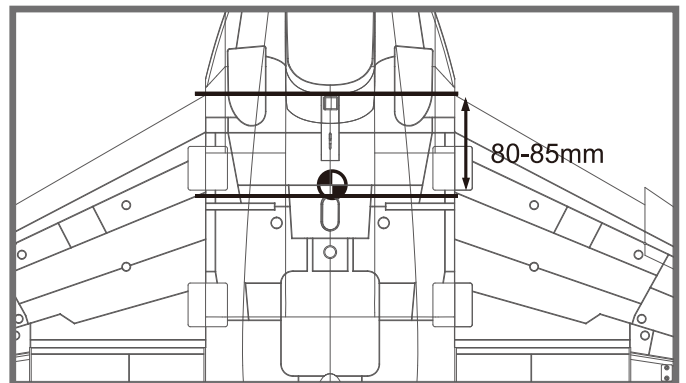
Die Tabelle zeigt die Werkseinstellungen für die Ruderhörner und Servoarme. Fliegen Sie das Flugzeug mit den Werkseinstellungen, bevor Sie Änderungen vornehmen. Nach dem Flug können Sie die Einstellungen nach Ihren Wünschen anpassen.

	Ruderhorn	Servoarm	Mehr Ruderausschlag
Höhen- ruder			
Seiten- ruder			Weniger Ruderausschlag
Quer- ruder			

Einstellen des Schwerpunkts

Setzen Sie zum Ausbalancieren des Schwerpunktes den Antriebsakku ein. Richten Sie den Akku so aus, dass das Modell gerade oder mit der Nase leicht nach unten zeigt. Nach den ersten Flügen können Sie dann den Schwerpunkt nach ihren persönliche Vorlieben einrichten.

1. Der empfohlene Schwerpunkt für das Modell befindet sich mit eingesetztem Akku 80-85mm von der Tragflächenvorderkante nach hinten gemessen. Markieren Sie den Schwerpunkt auf der Tragflächenoberseite.
2. Balancieren Sie das Modell auf einer Schwerpunktwaage aus. Bitte beachten Sie dass das Modell dabei flugfertig ausgerüstet sein muss.



Vor dem Erstflug

Finden Sie einen geeigneten Flugplatz

Finden Sie einen Flugplatz frei von Gebäuden, Bäumen, Stromleitungen und anderen Hindernissen. Bis Sie wissen, wie viel Fläche Sie zum fliegen brauchen, wählen Sie einen Platz der mindestens die Größe von 2 bis 3 Fussballfeldern hat. Wählen Sie am besten einen RC Flugplatz eines Modellflugvereins. Fliegen Sie dabei niemals in der Nähe von Menschen - besonders von Kindern, die unvorhersehbar handeln könnten.

Führen Sie einen Reichweitentest für Ihr Modell durch

Als Vorsichtsmaßnahme sollte vor jedem Flug ein Reichweitentest durchgeführt werden, um Probleme zu erkennen, die zu einem Verlust der Kontrolle führen könnten (z.B. schwache Batterien, defekte oder beschädigte Fernsteuerungskomponenten, Funkstörungen). Dies erfordert einen Kollegen oder Assistenten.

Schalten Sie zuerst den Sender ein und schließen Sie einen vollgeladenen Akku im Modell an. Achten Sie darauf dass sich der Gasknüppel in Neutralstellung befindet. Andernfalls könnten Propeller oder Lüfter Schäden oder Verletzungen verursachen.

Hinweis: Lesen Sie zum Reichweitentest auch die Bedienungsanleitung Ihrer Fernsteuerung.

Überwachen Sie Ihre Flugzeit

Überwachen oder Begrenzen Sie Ihre Flugzeit mit einem Timer (z.B. auf einer Armbanduhr, einem Smartphone oder auf Ihrem Sender, falls verfügbar).

Wenn der Akku während des Fluges fast leer ist bemerken Sie normalerweise einen Leistungsabfall, bevor der Regler die Motorleistung unterbricht. Wenn das Modell langsamer wird sollten Sie also landen.

Stellen Sie Ihren Timer auf 4 Minuten ein um einen unerwartete Leistungsabfall zu vermeiden. Wenn der Alarm des Timers ertönt sollten Sie landen.

Fluggrundlagen

Starten

Beschleunigen Sie das Modell vorsichtig und steuern Sie es langsam um es gerade zu halten. Erhöhen Sie die Beschleunigung und halten Sie eine gleichmäßige Geschwindigkeit um das Modell in einem schönen Anstellwinkel in die Luft steigen zu lassen.

Fliegen

Wählen Sie immer einen weiten und offenen Platz um das Modell zu fliegen. Besuchen Sie einen RC Flugplatz eines Modellflugvereins. Fliegen Sie auf keinen Fall an Orten, an denen der Betrieb eines ferngesteuerten Flugzeugs nicht zulässig ist (Flughäfen, Naturschutzgebiete, Siedlungen, ...). Nach dem Start bringen Sie Ihr Modell auf eine sichere Flughöhe, bevor Sie Flugmanöver wie Rollen, Loopings oder ähnliches ausprobieren.

Landen

Landen Sie das Modell, sobald Sie eine Leistungsreduzierung bemerken oder Ihr eingestellter Timer ertönt. Stellen Sie Ihren Timer so ein, dass Ihnen genug Flugzeit bleibt, um mehrere Landeanflüge zu haben. Ist das Modell mit einem Fahrwerk ausgestattet können Sie auf harten Pisten landen. Richten Sie das Modell direkt gegen den Wind aus und setzen Sie mit 1/4 bis 1/3 Gas zur Landung an. Bevor das Modell aufsetzt sollte der Gasknüppel in der 0-Stellung stehen um Schäden am Propeller oder anderen Komponenten zu vermeiden.

Instandhaltung

Reparaturen am Schaummodell sollten mit schaumsicheren Klebstoffen wie Heißkleber, Sekundenkleber speziell für Schaumstoff oder 5.min Epoxy erfolgen.

Wenn Teile nicht reparierbar sind finden Sie am Ende dieser Anleitung die Ersatzteilliste mit allen Bestellnummern.

Überprüfen Sie vor und nach jedem Flug ob alle Schrauben am Modell festgezogen sind. Achten Sie insbesondere darauf, dass Spinner und Luftschraube vor jedem Flug fest sitzen und frei drehen.

Problemlösungen

Problem	Mögliche Ursache	Lösung
Modell nimmt kein Gas an, andere Steuerungsbefehle funktionieren aber	-Regler reagiert nicht -Gaskanal ist umgekehrt	-Gasknüppel ist nicht ganz unten oder Trimmung zu hoch -Gaskanal am Sender umkehren
Ungewöhnliche Propellergeräusche oder Vibrationen	-Spinner, Propeller, Motor oder Motorhalterung defekt -Spinner oder Propeller lose -Propeller falsch herum montiert	-Defekte Teile austauschen -Lose Teile befestigen -Propeller richtig montieren
Zu kurze Flugdauer oder Antrieb ist nicht kraftvoll genug	- Flugakku ist zu leer - Propeller falsch herum montiert - Flugakku defekt	- Vollständiges Aufladen des Flugakkus - Flugakku ersetzen
Ruder bewegen sich nicht oder reagieren nur langsam auf Steuerbefehle	- Ruder, Ruderhörner, Anlenkung oder Servo beschädigt - Kabel beschädigt oder Servostecker lose	- Austauschen oder Reparieren der defekten Teile - Kabel und Stecker überprüfen
Ruder schlagen in die falsche Richtung aus	Kanäle auf dem Sender sind umgekehrt	Testen der Servowegeinstellungen und Konfiguration der Kanäle am Sender
- Motor verliert Leistung	- Motor oder Akku defekt - Stromzufuhr unterbrochen	- Akku, Empfänger, Regler, Motor und Verkabelung überprüfen (austauschen bei Defekt) - Modell unverzüglich landen und überprüfen
LED am Empfänger blinkt langsam	Empfänger hat keinen Strom	- Überprüfen der Verbindung zwischen Regler und Empfänger. - Servos auf Defekt überprüfen. - Überprüfen ob der Empfänger korrekt mit dem Sender gebunden ist

Ersatzteilliste

FMSPS101RED-1	Rumpf	FMSDF12B70	Impeller (12-Blatt)
FMSPS102RED	Tragflächen Set	PRKV1850	2860-KV1850 Motor
FMSPS103RED	Seitenleitwerk	PRESC023	80A Regler
FMSPS104RED	Höhenleitwerk	FMSSE9MGDP	Digital servo 9g MG (Positive)
FMSPS105RED	Cockpit	FMSSE9MGDR	Digital servo 9g MG (Reverse)
FMSPS106RED	Haube	FMSRE045	Elektronisches Einziehfahrwerk
FMSPS107	Anlenkungen	FMSRE012	Elektronisches Einziehfahrwerk
FMSPS108	Schrauben Set		
FMSPS109-1	Vorderes Landegestell		
FMSPS109-2	Hinteres Landegestell		
FMSPS110-1	Hauptfahrwerkssystem		
FMSPS111-1	Vorderes Fahrwerkssystem		
FMSPS112	Pipe (weiß ich nicht was das ist)		
FMSPS113RED	Tanks		
FMSPS114RED	Dekorbogen		

Besuchen Sie unsere Webseite um Fotos der Ersatzteile zu sehen: www.d-power-modellbau.com

ATTENTION

ATTENTION : Lisez intégralement ce manuel d'utilisation pour vous familiariser avec les caractéristiques de ce produit avant de l'utiliser. Ne pas utiliser correctement ce produit peut entraîner des dommages au produit, aux biens matériels et causer des blessures graves.

Il s'agit d'un produit de loisir technique, sophistiqué, et non d'un jouet. Il doit être utilisé avec précaution et bon sens, et requiert quelques connaissances de base en mécanique. Ne pas utiliser ce produit en sécurité et de manière responsable peut entraîner des blessures ou des dégâts au produit et envers des tiers. Ce produit n'est pas prévu pour une utilisation par des enfants sans la surveillance directe par un adulte.

Ce manuel contient des instructions concernant la sécurité, l'utilisation et l'entretien. Il est essentiel de lire et de suivre toutes les instructions et de respecter les avertissements de ce manuel avant de monter, de régler ou d'utiliser le produit, de façon à l'exploiter correctement et éviter les dégâts ou blessures graves.

Consignes de sécurité et avertissements

En tant qu'utilisateur de ce produit, vous êtes seul responsable de son utilisation, de manière à ne pas vous mettre en danger, et à ne pas mettre les autres en danger, et à ne pas endommager ce produit ou causer de dégâts à des tiers. Ce modèle est piloté par un signal radio qui peut être soumis à des interférences provenant de sources variées que vous ne contrôlez pas. Ces interférences peuvent causer une perte momentanée de contrôle, aussi est-il prudent de toujours garder une distance de sécurité dans toutes les directions, autour de votre modèle, cette marge vous aidant à éviter les collisions ou les blessures.

Âge recommandé : Ce produit ne doit pas être utilisé par des enfants de moins de 14 ans. Ce n'est pas un jouet.

- N'utilisez jamais votre modèle avec des piles faibles dans l'émetteur.
- Utilisez toujours votre modèle dans un espace vaste, sans véhicules, sans circulation et sans personnes.
- N'utilisez pas le modèle dans les rues, où vous pourriez occasionner des blessures ou des dégâts.
- N'utilisez jamais le modèle pour quelque raison que ce soit dans la rue ou dans des zones peuplées.
- Suivez soigneusement les instructions et les conseils de ce manuel et ceux des équipements optionnels (chargeurs, accus rechargeables, etc.).
- Tenez tous les produits chimiques, les petites pièces et tout composant électrique hors de portée des enfants.
- L'humidité peut causer des dégâts à l'électronique. Evitez d'exposer à l'eau les équipements non conçus spécialement à cet effet et spécialement protégés.
- Ne léchez pas, et ne placez aucune partie du modèle dans votre bouche, car cela peut entraîner des blessures graves et même la mort.

Avertissement concernant les accus Lithium Polymère (LiPo)

Attention : Suivez toujours les instructions du fabricant pour utiliser les accus et vous en débarrasser. Un mauvais usage d'accus LiPo peut entraîner un incendie, des dégâts matériels ou des blessures graves.

En manipulant, chargeant ou utilisant des accus LiPo, vous assumez tous les risques associés aux accus au Lithium.

- Si à n'importe quel moment, l'accu commence à gonfler, arrêtez immédiatement de l'utiliser !
- Charger ou décharger un accu gonflé peut entraîner un incendie.
- Stockez toujours les accus à température ambiante dans un espace sec pour augmenter la durée de vie de l'accu. Transportez ou stockez toujours les accus dans une plage de températures de 5 à 48 °C. Ne stockez pas les accus ou le modèle dans une voiture ou directement à la chaleur du soleil. Un accu stocké dans une voiture chaude peut être endommagé et éventuellement prendre feu.
- N'utilisez jamais un chargeur pour accus NiMh. Ne pas charger avec un chargeur compatible LiPo peut entraîner un incendie, entraînant des blessures et des dégâts matériels.
- Ne déchargez jamais les éléments LiPo à moins de 3 V par élément.
- Ne laissez jamais une charge se faire sans surveillance.
- Ne chargez jamais un accu endommagé.
- Vous devez charger les accus LiPo uniquement avec un chargeur spécial LiPo. Lisez bien les instructions de votre chargeur avant usage. Quand vous chargez l'accu, vérifiez que l'accu est sur une surface ininflammable. Il est également conseillé de placer les accus LiPo dans un sac résistant au feu que vous trouverez facilement dans les magasins de modélisme ou sur les boutiques en ligne.

Introduction

Engagé dans la conception et la production de maquettes RC à la pointe de la technologie, FMS a consacré énormément d'efforts au design du Yak-130 V2 afin qu'il soit à son tour au pinacle des productions de kits d'aéromodèles.

Trouver le bon compromis entre le réalisme et les performances a toujours été un challenge. Il a fallu de nombreux prototypes, beaucoup d'essais en vol et de modifications pour amener le Yak-130 V2 à son stade final. FMS est certain de proposer le plus fidèle des Yak-130 du marché.

De petits détails comme le bord d'attaque des entrées d'air en plastique qui réduit les turbulences dans le flux d'air et protège de l'ingestion de débris sont ajoutés sur la cellule. Les lignes de structure, l'aménagement de la cabine, le pilote à l'échelle et même les réservoirs supplémentaires sont réalisés avec un total souci du détail. Et même la façon d'assembler le modèle a été optimisée, avec une cellule qui se monte avec des vis, et ainsi, il est possible d'assembler le Yak-130 V2 le temps de charger l'accu !

Equipé de la turbine électrique de 70 mm à 12 pales FMS, d'un moteur Predator 2860-1850Kv et d'un contrôleur 80A, le Yak-130 V2 offre largement plus de poussée qu'il n'en faut pour réaliser les figures les plus exigeantes. Le jeu de trains robustes en métal donne une meilleure tenue et encaisse des atterrissages pas toujours parfaits. Tous les servos sont montés et optimisés pour cet avion, assurant d'une parfaite fiabilité et d'une grande maniabilité. N'allez rien chercher d'autre que le meilleur : le Yak-130 V2 FMS !

Points clés

- Ensemble de trains en métal améliorés pour une meilleure tenue et plus de robustesse.
- Servos à pignons métal pour un contrôle précis des gouvernes.
- Détails maquettes : Buste de pilote, réservoirs supplémentaires, train rentrant et volets fonctionnels.
- Train rétractable électrique
- Volets de courbure fonctionnels
- Commandes sur rotules pour plus de précision
- Cabine-trappe avec verrou
- Méthode de montage simplifiée
- Peinture à l'eau éco-responsable aux couleurs éclatantes
- La turbine de 70 mm à 12 pales donne un super rapport poids-poussée.

Table des matières

Introduction	23
Contenu du kit	23
Montage du modèle	24
Mise en place de l'accu	27
Diagramme de connexion	27
Préparation du modèle au vol	27
Montage des chapes.....	29
Réglage des guignols et des palonniers de servos	29
Centrage (C.G.).....	29
Avant de faire voler le modèle	30
Pilotage du modèle	30
Dépannage	31
Liste de pièces de rechange	31

Contenu du kit

Avant le montage, merci de contrôler le contenu du kit. Le schéma ci-dessous détaille le contenu du kit et la numérotation. Si quelque élément est manquant ou défectueux, identifiez le nom ou le numéro de la pièce (reportez-vous à la liste des pièces de rechange page 18 de ce manuel), puis contactez votre magasin local ou contactez-nous : support@fmsmodel.com.

Caractéristiques

Envergure : 880 mm (34.6")

Longueur hors tout : 1060 mm (41.7")

Poids en ordre de vol : Environ 1850 g

Format du moteur : Brushless 2860-KV1850

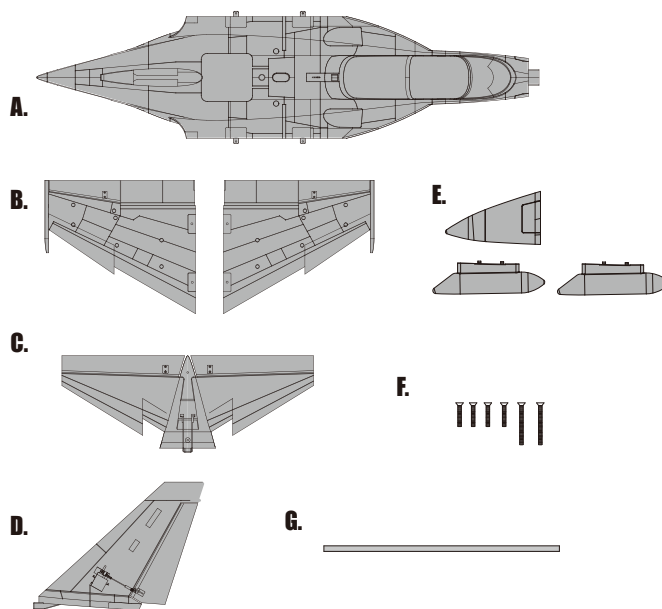
Charge alaire : 100 g/dm²(0.23oz/in²)

Surface alaire : 19 dm²(294.5sq.in)

Contrôleur brushless : 80 A

Servos : 8 servos 9 grammes

Batterie recommandée: 22.2V 2600-3300mAh 35C



A : Fuselage

B : Ailes

C : Stabilisateur horizontal

D : Dérive

E : Nez et réservoirs supp.

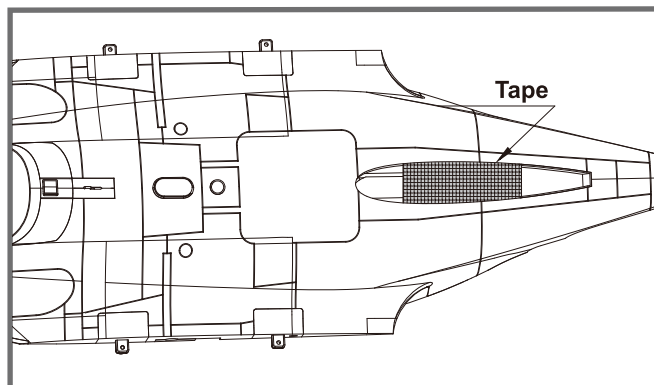
F : Vis (2-HKM3.0*32 mm, 4-HKM3.0*16 mm)

G : Clé d'aile

Montage du modèle

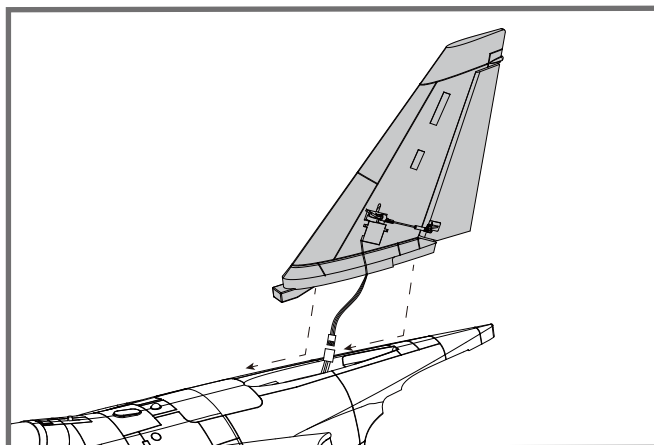
Montage de la dérive

1. Déposer le film de protection du double face à l'arrière du fuselage, comme montré.



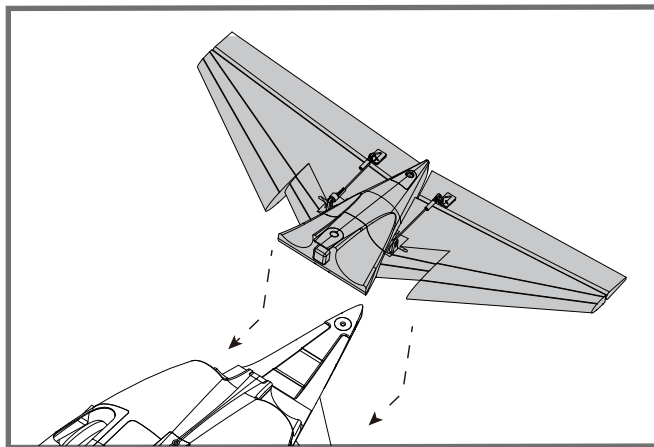
2. Branchez le connecteur du servo de direction à la rallonge sortant du fuselage.
3. Glissez avec soin la dérive dans la fente du fuselage.

Note : N'écrasez pas et n'endommagez pas les fils en fixant la dérive.



Montage du stabilisateur horizontal

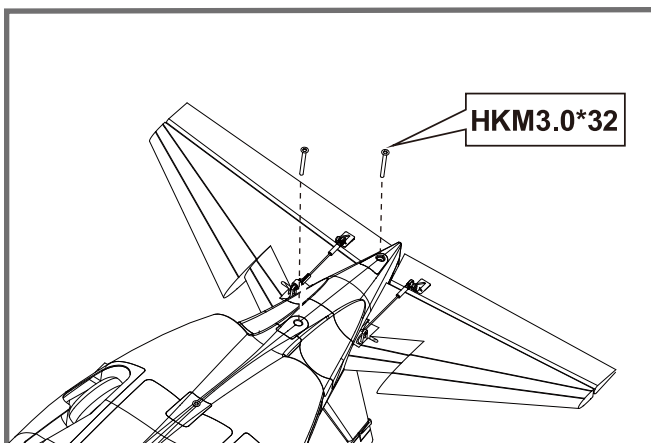
1. Glissez le stabilisateur horizontal à l'arrière du fuselage. Assurez-vous que les guignols sont tournés vers le bas.



Montage du modèle

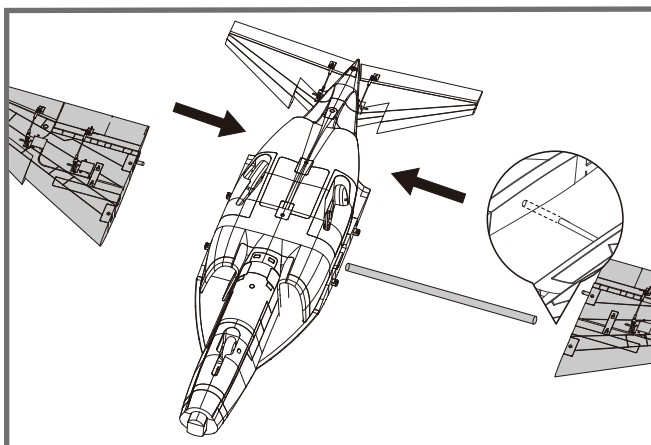
2. Fixez les éléments du stabilisateur horizontal en place avec les deux vis fournies.

Note : Ne serrez pas exagérément les vis.

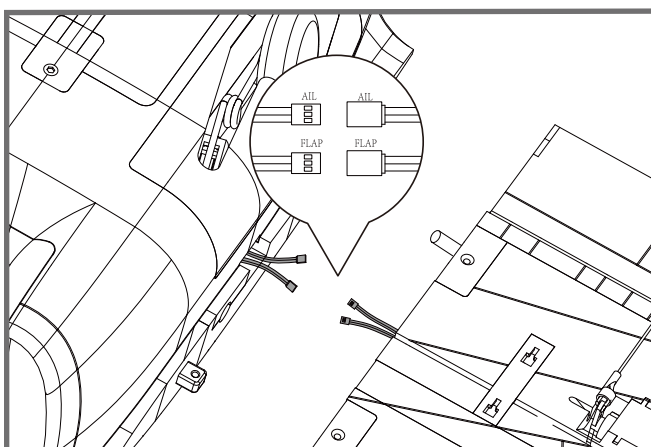


Montage des ailes

1. Glissez le tube clé d'aile dans le fuselage, puis glissez les deux ailes sur le tube et dans les logements du fuselage.

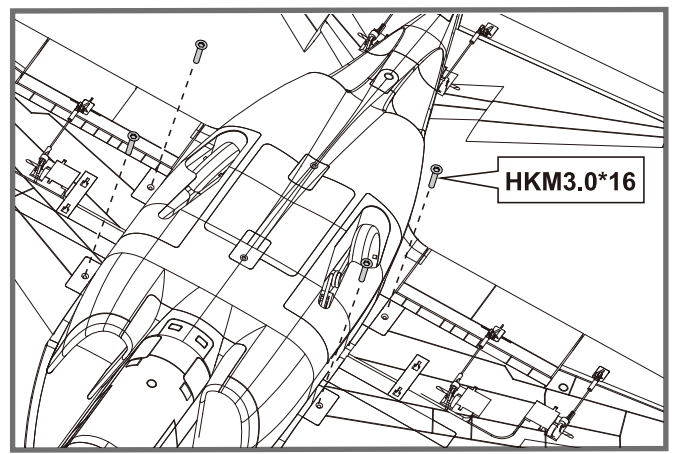


2. Branchez les connecteurs des servos d'ailerons et de volets aux rallonges correspondantes sortant du fuselage.



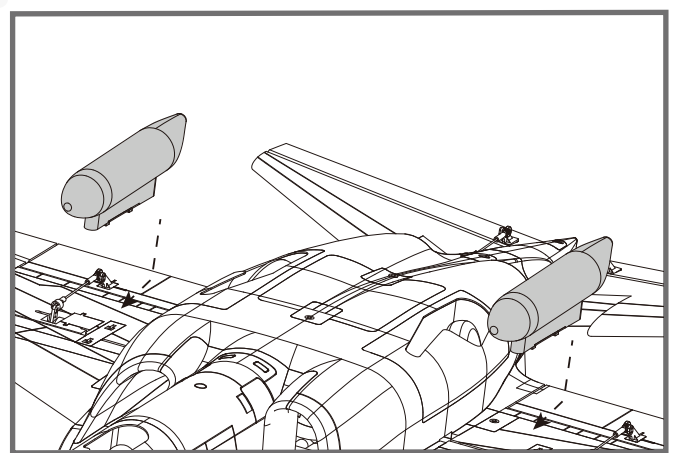
Montage du modèle

3. Fixez les ailes gauche et droite au fuselage avec les 4 vis fournies.



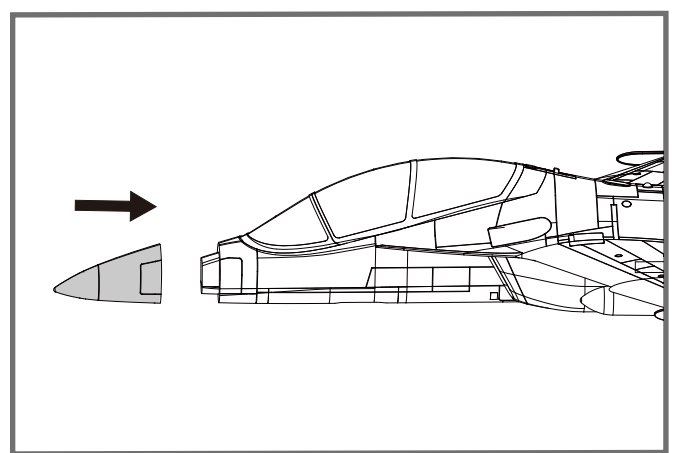
Réservoirs supplémentaires

1. Glissez les réservoirs dans les rails sous chaque aile.



Montage du nez

1. Placez le nez à l'avant du fuselage.



Mise en place de l'accu

1. Tirez le verrou vers l'arrière pour libérer la cabine.
2. Enlevez la cabine pour découvrir le logement de l'accu.
3. Collez le velcro adhésif sous l'accu.
4. Glissez la batterie dans son logement avec les câbles d'alimentations tournés vers l'arrière.

Note : Vous aurez peut-être à déplacer l'accu afin d'obtenir le bon centrage de votre modèle. Il est capital d'avoir un centrage correct pour obtenir de bonnes qualités de vol.

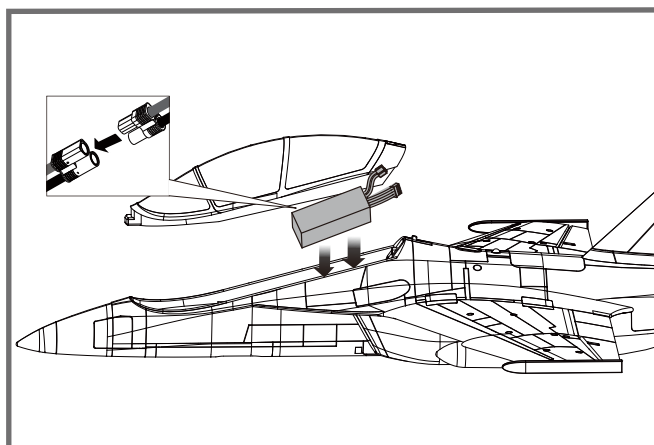


Diagramme de câblage du récepteur

Les fils venant de la platine de connexion doivent être connectés sur votre récepteur dans l'ordre montré. Rangez les fils dans la cavité à l'arrière du logement d'accus.

		Récepteur
Ailerons	1	Voie 1 Ailerons
Profondeur	2	Voie 2 Profondeur
Gaz	3	Voie 3 Gaz
Direction	4	Voie 4 Direction
Train	5	Voie 5 Train
Volets		Voie 6 volets

Préparation du modèle au vol

Informations importantes concernant le contrôleur brushless et le modèle

1. Le contrôleur brushless inclus dans votre modèle est équipé d'un démarrage sécurisé. Si l'accu de propulsion est branché au contrôleur alors que le manche de gaz n'est en position moteur coupé, le moteur ne démarrera pas tant que le manche n'aura pas été ramené en position moteur coupé. Une fois le manche de gaz en position moteur coupé, le moteur émet une série de "bips". Plusieurs "bips" avec la même tonalité indiquent que le contrôleur a détecté les éléments de l'accu. Le nombre de "bips" correspond au nombre d'éléments détectés. Le moteur est alors armé et démarrera dès que le manche de gaz sera bougé.
2. Le moteur et le contrôleur sont pré-connectés et le sens de rotation du moteur doit être correct. Si pour une quelconque raison, le moteur tourne dans le mauvais sens, inversez simplement deux des trois fils du moteur pour inverser le sens de rotation.
3. Le moteur peut être freiné en option. Le contrôleur est livré avec le frein désactivé et nous vous conseillons de voler sans frein. Toutefois, le frein peut se trouver activé si l'accu de propulsion est branché alors que le manche de gaz est sur "plein gaz". Pour désactiver le frein, mettez le manche de gaz sur "plein gaz" et branchez l'accu. Le moteur émet un "bip". Placez le manche de gaz en position "moteur coupé". Le moteur est prêt à tourner avec le frein désactivé.
4. Choix et installation de l'accu : Nous conseillons un accu LiPo 6S 22,2 V 2600-3300mAh 35C. Si vous utilisez un autre type d'accu, il doit être un 6S (22,2 V), avec au moins 2600-3300mAh de capacité et au moins 35C de capacité de décharge. Votre accu doit avoir à peu près la même capacité, les mêmes dimensions et le même poids que l'accu LiPo 6S 22,2 V 2600-3300mAh 35C afin de rentrer dans le fuselage sans modifier le centrage de manière significative.

Réglage de l'émetteur et du modèle


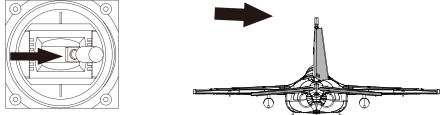
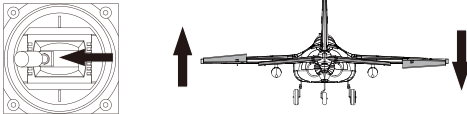
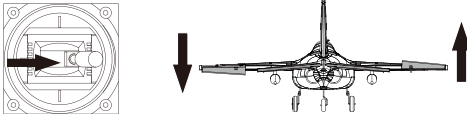

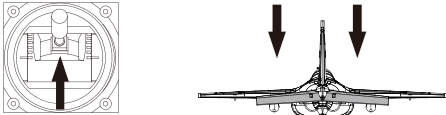
Avant de commencer, appairez votre récepteur à votre émetteur. Merci de vous reporter à la notice de votre ensemble radio pour effectuer cette opération correctement.

ATTENTION : Pour éviter les blessures, **NE MONTEZ PAS** l'hélice sur l'axe du moteur pendant que vous contrôlez les gouvernes. N'armez pas le contrôleur et n'allumez pas l'émetteur tant que le manuel de l'émetteur ne vous le précise pas.

CONSEILS: Assurez-vous que les manches de l'émetteur sont au neutre (Direction, profondeur et ailerons) et que les gaz sont sur "moteur coupé". Assurez-vous que chaque aileron se lève et se baisse de la même valeur. Ce modèle se comporte bien quand les débattements des ailerons vers la gauche et vers la droite sont identiques.

Bougez les commandes de l'émetteur pour vous assurer que les gouvernes réagissent correctement.

(Voir les schémas qui suivent).

<p>Direction à gauche</p>  <p>Direction à droite</p> 	Direction	<p>Incliner à gauche</p>  <p>Incliner à droite</p> 	Ailerons
		<p>Monter</p>  <p>Descendre</p> 	Profondeur

Contrôle des débattements

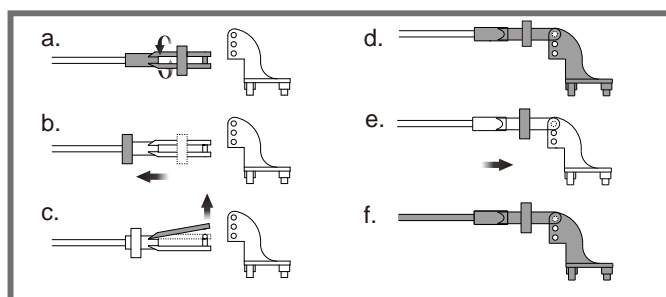
Les débattements conseillés pour le YAK-130 V2 sont les suivants (Réglages de doubles débattements).

CONSEILS : Pour le premier vol, pilotez le modèle avec les petits débattements. La première fois que vous utiliserez les grands débattements, veillez à voler à vitesse moyenne, c'est uniquement pour des figures **EXTRÊMES**.

	Grands débattements	Petits débattements
Profondeur	15 mm haut/bas	10 mm haut/bas
Ailerons	12 mm haut/bas	8 mm haut/bas
Direction	20 mm gauche/droite	15 mm gauche/droite

Montage des chapes

A et B. Sortez le tube verrou de chape vers la commande.
 C. Ouvrez la chape avec précaution, puis insérez le pion dans le trou désiré du guignol.
 D, E et F. Glissez le tube verrou sur la chape.



Réglage des guignols et des palonniers de servos

Le tableau montre les réglages d'usine des guignols et des palonniers de servos. Faites voler le modèle avec les réglages d'usine avant de faire des modifications. Après avoir volé, vous pouvez choisir de modifier les positions des commandes pour personnaliser la réponse des gouvernes. Reportez-vous au tableau ci-dessous.

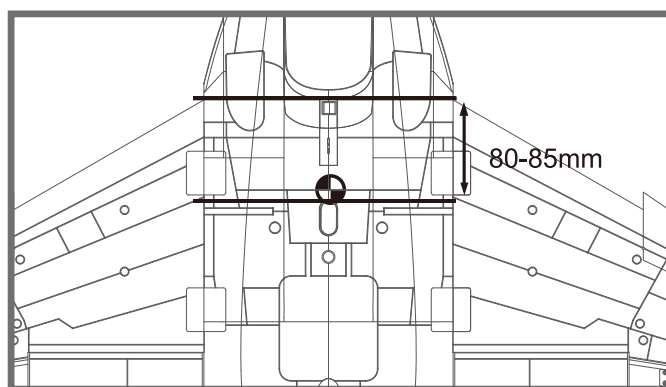
	Guignols	Palonniers	Plus de débattement
Profondeur			
Direction			
Ailerons			

Centrage (C.G.)

Quand vous réglez le centrage de votre modèle, ajustez la position de l'accu selon les besoins pour que le modèle soit à plat ou légèrement nez bas. C'est le bon point d'équilibrage pour votre modèle. Après les premiers vols, le centrage peut être ajusté en fonction de vos préférences.

1. Le centre de gravité conseillé pour votre modèle est entre 80 et 85 mm en arrière du bord d'attaque de l'aile (comme montré) quand le pack d'accu est installé. Tracez la position du centre de gravité sur le dessous de l'aile.

2. Pour équilibrer votre modèle, portez-le au niveau des marques faites sous les ailes, soit sur vos doigts, soit à l'aide d'un équilibreur disponible dans le commerce. C'est le bon point d'équilibre pour votre modèle. Assurez-vous que le modèle est monté et en ordre de vol avant de l'équilibrer.



Avant de faire voler le modèle

Trouvez un site de vol adapté

Trouvez un site de vol dégagé, à l'écart de bâtiments, d'arbres, de lignes électriques ou autres obstacles. Jusqu'à ce que vous sachiez exactement l'espace dont vous avez besoin et que vous maîtrisiez parfaitement votre avion, choisissez un site qui fasse au moins la surface de deux à trois terrains de football. Un site réservé à la pratique de l'aéromodélisme est encore mieux. Ne volez jamais à proximité de personnes, tout particulièrement d'enfants qui peuvent divaguer de façon imprévisible.

Faites un test de portée de votre ensemble radio

Par précaution, un test de portée doit être effectué avant le premier vol de chaque session de vol. Le test de portée est une bonne façon de détecter des problèmes qui peuvent entraîner une perte de contrôle, comme des piles faibles, des éléments de la radio défectueux, ou un brouillage radio. En général, il vous faut un assistant et vous devez le faire sur le site même où vous allez voler.

Allumez d'abord votre émetteur, puis montez un accus complètement chargé dans le fuselage. Branchez l'accusur le contrôleur et placez la trappe.

Pensez à ne pas heurter le manche de gaz, sans quoi, l'hélice se mettra à tourner, pouvant causer des dégâts ou des blessures.

NOTE : Reportez-vous aux instructions de votre ensemble radio pour connaître la procédure de test de portée. Si les commandes ne répondent pas correctement ou si quoi que ce soit semble anormal, ne faites pas voler le modèle avant d'avoir trouvé le problème et de l'avoir corrigé. Assurez-vous que les fils de servos sont correctement connectés sur le récepteur et que les piles ou accus de l'émetteur sont bien chargées.

Surveillez votre temps de vol

Surveillez et limitez votre temps de vol avec un chronomètre (une montre-chrono, ou un chrono sur votre émetteur s'il en est équipé). Quand les accus faiblissent, vous constatez en général une baisse de puissance avant que le contrôleur ne coupe le moteur. Donc, dès que l'avion perd de la vitesse, vous devez atterrir. Souvent (mais pas toujours), vous pouvez remettre le moteur en marche brièvement quand le contrôleur après que le contrôleur ait coupé le moteur, en gardant le manche de gaz tout en bas quelques secondes. Pour éviter un atterrissage en plané dès votre premier vol, nous vous conseillons de tabler sur une valeur prudente de 4 minutes. Quand les 4 minutes sont atteintes, posez-vous sans attendre.

Pilotage du modèle

Décollage

En mettant progressivement les gaz, maintenez l'axe avec la direction, le modèle va accélérer rapidement. Quand le modèle a assez de vitesse pour voler, mettez-le en montée sur un angle raisonnable et constant. Il va monter avec un bon angle d'attaque (AOA).

Vol

Choisissez toujours une zone vaste et dégagée pour faire voler votre avion. L'idéal est de voler sur le site d'un club d'aéromodélisme. Si ce n'est pas le cas, évitez toujours de voler à proximité de maisons, d'arbres, de lignes électriques et de bâtiments. Vous devez aussi éviter de voler sur des zones très peuplées, comme les parcs publics, les cours d'écoles, ou des terrains de sport. Consultez les lois et règlements locaux avant de choisir votre site de vol. Après le décollage, prenez de la hauteur. Montez pour tester tous les régimes de vol, y compris les hautes et basses vitesses. Après avoir pris en main votre Super Hornet, vous pourrez faire des passages bas et rapides, du vol sur le dos, des loopings et des tonneaux...

Atterrissage

Dès que le moteur de votre modèle donne des à-coups (LVC) ou que vous sentez une diminution de puissance, posez-vous. Si vous avez un émetteur avec un chronomètre, réglez-le pour avoir la possibilité de faire plusieurs approches. Le train tricycle du modèle permet de se poser sur des pistes en dur. Alignez le modèle face au vent et laissez-le descendre vers le sol. Gardez 1/4 à 1/3 de puissance pour avoir assez d'énergie pour faire un bel arrondi. Avant que le modèle ne touche le sol, réduisez complètement le moteur pour éviter d'endommager l'hélice ou d'autres éléments. La clé d'un atterrissage réussi réside dans le dosage des gaz et de la profondeur dans l'approche finale et durant l'arrondi pour que le modèle touche le sol en douceur sur son train principal en premier. Après quelques vols, vous verrez que le modèle peut être posé sur le train principal en tenant le train avant levé jusqu'à ce que la vitesse ait diminué et que le nez se pose.

Entretien

Les réparations de la mousse doivent se faire avec des colles adaptées aux mousses expansées comme la colle thermo-fusible, la cyano spéciale mousse, et l'époxy 5 minutes. Si les pièces ne sont pas réparables, consultez la liste des pièces de rechange pour commander à l'aide des références. Vérifiez toujours que toutes les vis du modèle sont bien serrées. Faites spécialement attention à la fixation du cône avant chaque vol.

Dépannage

Problème	Cause possible	Solution
Le moteur de l'avion ne répond pas, mais les autres commandes répondent.	- Le contrôleur n'est pas armé. - La voie des gaz est inversée.	- Abaissez le manche de gaz et son trim tout en bas. - Inversez la voie des gaz sur l'émetteur.
Bruit excessif de l'hélice ou vibrations excessives.	- Cône, hélice, moteur ou support moteur endommagé. - Hélice ou éléments du cône desserrés - Hélice montée à l'envers	- Cône, hélice, moteur ou support moteur endommagé. - Hélice ou éléments du cône desserrés - Hélice montée à l'envers
Temps de vol réduit ou modèle sous motorisé.	- Accu mal chargé - Hélice montée à l'envers - Accu endommagé	- Rechargez complètement l'accu. - Remontez l'hélice dans le bon sens. - Remplacez l'accu et suivez les instructions de l'accu.
Les gouvernes ne bougent pas, ou réagissent lentement aux ordres	- Gouverne, guignol, tringlerie ou servo endommagé. - Fils endommagés ou connecteurs trop lâches.	- Remplacez ou réparez les éléments endommagés ou réglez les commandes. - Vérifiez les connexions
Gouvernes inversées	- Voies inversées sur l'émetteur	- Vérifiez les sens de débattement et réglez les sens depuis l'émetteur.
- Le moteur perd de la puissance. - Le moteur donne des à-coups puis perd de la puissance.	- Moteur ou accu endommagé. - Perte de puissance du modèle. - Le contrôleur passe en mode de coupure de sécurité en raison d'une tension trop faible.	- Vérifiez vos accus, l'émetteur, le récepteur, le contrôleur et les câblages. Remplacez si nécessaire. - Posez l'avion immédiatement et rechargez l'accu.
La LED du récepteur clignote lentement.	Perte de puissance du récepteur	- Vérifiez les connexions entre le récepteur et le contrôleur. - Vérifiez l'état des servos. - Contrôlez les tringleries, pour vérifier si elles ne forcent pas.

Liste de pièces de rechange

FMSPS101RED-1	Fuselage	FMSPS113RED	Planche de décalcomanies
FMSPS102RED	Paire d'ailes	FMSPS114RED	Réservoirs supplémentaires
FMSPS103RED	Dérive	FMSDF12B70	Turbine de 70 mm à 12 pales
FMSPS104RED	Stabilisateur horizontal	PRKV1850	Moteur brushless 2860-kv1850
FMSPS105RED	Cabine	PRESC023	Contrôleur brushless 80 A
FMSPS106RED	Capot	FMSSER9MGDP	Servo digital 9 g à pignons métal, sens normal
FMSPS107	Tringleries de commandes	FMSSER9MGDR	Servo digital 9 g à pignons métal, sens inversé
FMSPS108	Jeu de vis	FMSRE045	Mécanique de train rentrant
FMSPS109-1	Ensemble jambe de train avant	FMSRE012	Mécanique de train rentrant
FMSPS109-2	Ensemble jambes de train principal		
FMSPS110-1	Train avant rentrant complet		
FMSPS111-1	Train principal rentrant complet		
FMSPS112	Tube de clé d'aile		

Visitez notre site internet pour voir les photos de ces produits : www.fmsmodel.com
Saisissez le mot "ESC" dans la case de recherche pour obtenir le manuel d'utilisation du contrôleur.

警告

警告:在组装、调整及飞行前请务必认真阅读产品说明书以熟知产品的特性。请严格按照说明书提示进行飞机的组装、调整及飞行。如操作不当会造成产品本身损坏及其它财产损失,甚至造成严重的人身伤害。

声明:模型不是玩具,具有一定的危险性,操作者需要具备一定的飞行经验,初学者请在专业人士指导下操作。
禁止十四岁以下儿童操作、飞行。

安全须知

本产品飞行由无线电遥控器控制,在飞行过程中可能会受到外界强信号源干扰而导致失控,甚至坠机。因此,在飞行过程中务必始终与飞机保持一定的安全距离,避免意外碰撞、受伤。

- 请勿在发射器电池低电量的情况下操纵模型飞机。
- 请勿在公路、人群、高压线密集区、机场附近及其它法律法规明确禁止飞行的场合飞行。
- 请勿在雷雨、大风、大雪或者其它恶劣气象环境下飞行。
- 请严格遵照产品指导说明及安全警告操作本产品及其相关配置(例如充电器、电池等)。
- 请勿将相关化工类产品、零部件、电子部件等置于儿童可触及的范围。
- 请勿将电子件暴露于潮湿的环境中,以免造成损坏。
- 请勿将本品任意处置于口中,以免造成人身伤亡。

锂聚合物电池使用安全须知

- 使用锂聚合物电池时,须严格遵守制造商说明、要求并了解相关风险,使用不当会导致锂聚合物电池起火,从而造成严重的财产损失甚至人身伤害。
- 禁止使用变形、胀气的锂聚合物电池。
- 禁止使用过充、放电的锂聚合物电池,避免发生危险。长时间不使用须将锂聚合物电池放电至存储电压(3.8~3.85V/节)。锂聚合物电池须储存在室内干燥区域(4.5~48.5°C),禁止将锂聚合物电池置于阳光下暴晒或车内,高温可能会导致锂聚合物电池起火,造成财产损失和人身伤害。
- 请使用专用充电器对锂聚合物电池进行充放电,禁止使用其它如:镍氢电池充电器。充放电时,禁止将锂电池放置于高温物体表面,建议使用锂电池防爆袋。不正确的充放电操作会对锂聚合物电池造成损伤,甚至会引起火灾,造成财产损失和人身伤害。
- 禁止将锂聚合物电池单节电压放至低于3V,禁止给已损坏的锂聚合物电池充电。
- 锂聚合物电池充放电须在有人看管的情况下进行,避免发生意外造成不必要的损失。

飞机电池充电警告:

请确保使用合格的电池充电器给锂电池充电。在使用充电器前,请认真阅读充电器说明书。充电过程中,请确保把电池置于耐热的表面。建议把锂电池置于防火充电袋内充电,防火充电袋可在相关模型实体店或网上买到。

产品特点

FMS涵道飞机70mmYAK-130 V2正式上市。FMS从2007年成立以来从未停止过对产品的提升和进步,这款精雕细琢的Yak-130 V2 汇聚FMS所有最新的想法和理念。

在细节方面,Yak-130 V2从每条蒙皮线到整体外观,每一个细节都经过考量,在无数次修改图纸和参考真机资料过程中,飞机外观不断得到优化。这是一款还原度最高的Yak-130 EPO飞机。飞机进气口前缘部分添加塑胶件,即使在磕碰的情况下,都能保持前缘平滑犀利的一致性,起到美观和耐用性作用。座舱内饰、像真的飞行员和副油箱挂弹让细节更为突出。与此同时,我们升级了起落架,全金属起落架有效抵抗暴力降落。

在组装方面,考虑到能让客户在短时间内完成,我们简化了飞机组装结构。整架飞机实现零胶水组装,省去泡沫胶的烦恼。插拔式的副油箱安装方式让你在速度和像真方面随意切换。拉扣式座舱罩让飞行更有保证,不必担心座舱脱落现象。厂家预装好的所有舵面操纵钢丝和舵角,省去组装时间。

在性能方面,FMS不遗余力将这款升级版的Yak-130的性能提升到最高。FMS 70mm涵道12叶6S版搭配内转电机,动力澎湃,外加80A捕食者高性能电调,让你充分体验Yak-130 V2带来的速度与激情。12叶涵道额外的升浪声更能让你感受通场的震撼和痛快。如果你喜欢涵道系列飞机,如果你是FMS产品的粉丝,那你必须要尝试这款高性能,高性价比的Yak-130 V2。他会给你带来惊喜。

特征:

- 高还原度细节——像真飞行员、副油箱挂弹、可收放起落架、襟翼等。
- 升级版全金属起落架有效抵抗暴力降落。
- 全部使用金属舵机,有效提高操控性能。
- 球头设计舵角,让飞机远离虚位,飞行更精准。
- FMS 70mm涵道6S版本搭配内转电机,动力强大。
- 环保水性漆,不腐蚀产品,覆盖性强,色泽光滑柔和。
- 座舱卡扣结构,安全牢固,防止飞行过程中脱落。
- 整架飞机实现零胶水组装。

目录

产品特点33
产品组成33
机体安装34
电池安装37
遥控器设置37
接收机连接示意图3 8
球头安装方式3 8
舵角和舵机摇臂安装.....38
重心调整39
飞行前准备39
故障检修指导40
配件列表40

产品组成

在组装产品之前,请仔细检查以下配件,如有缺失或者损坏,请及时联系当地店面或者邮件至厂家 (support@fmsmodel.com),告知缺失或损坏的配件名称及编码(请在本说明书尾页查看相应的配件编码)。请注意,不同配置,包装盒内物品不同。

产品参数

翼展: 880 mm(34.6in)

机身长: 1060 mm (41.7in)

飞行重量: ~1850g

电机: 2860-KV1850

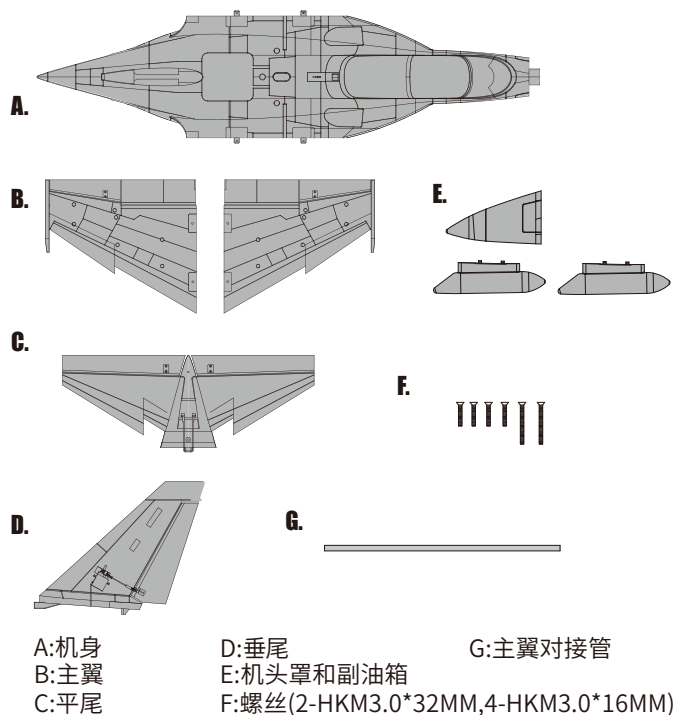
翼载荷:100g/dm²

翼面积: 19 dm²

电调: 80A

舵机: 9g×8

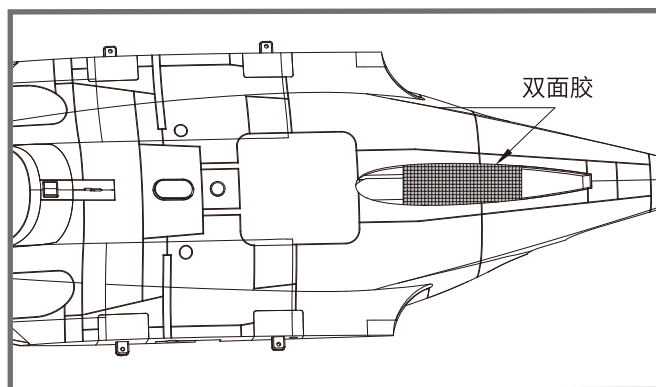
电池: 22.2V 2600-3300mAh 35C



机体安装

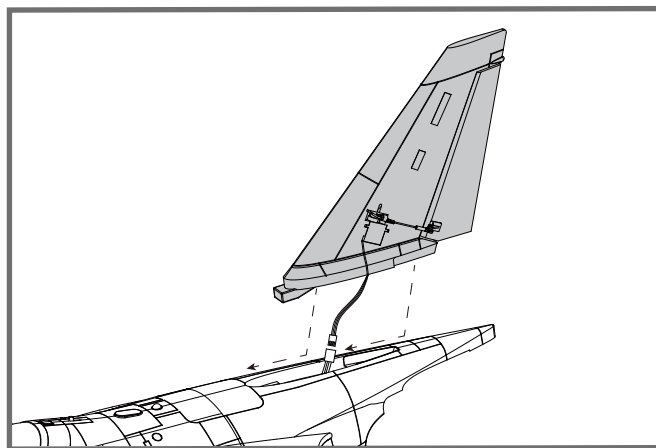
垂尾安装

1. 如图所示, 揭开双面胶表层的薄膜, 将双面胶粘至机身尾部。



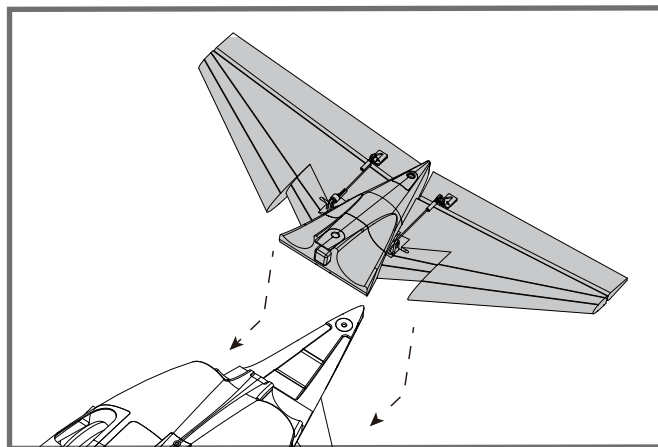
2. 连接垂尾舵机线与机身预埋的舵机延长线。
3. 安装垂尾至机身尾部相应槽位。

注意: 按装垂尾时, 请勿挤压或损坏接线。



平尾安装

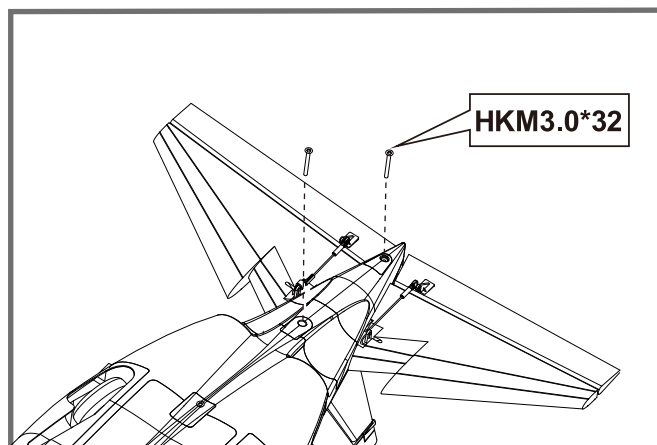
1. 如图所示, 安装平尾至机身尾部相应槽位, 确保舵面朝下。



机体安装

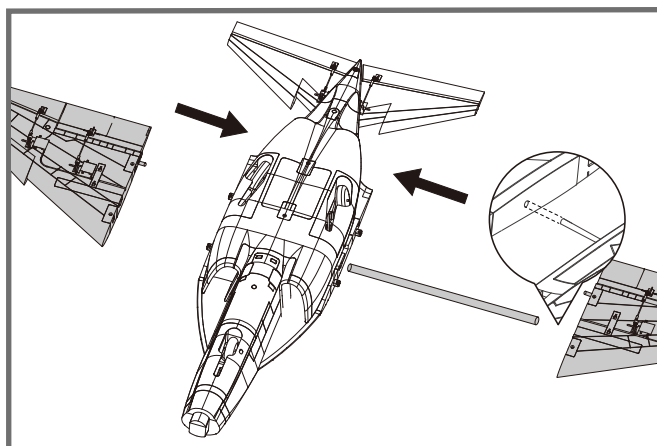
2. 使用所附螺丝固定平尾。

注意：请勿过紧锁螺丝。

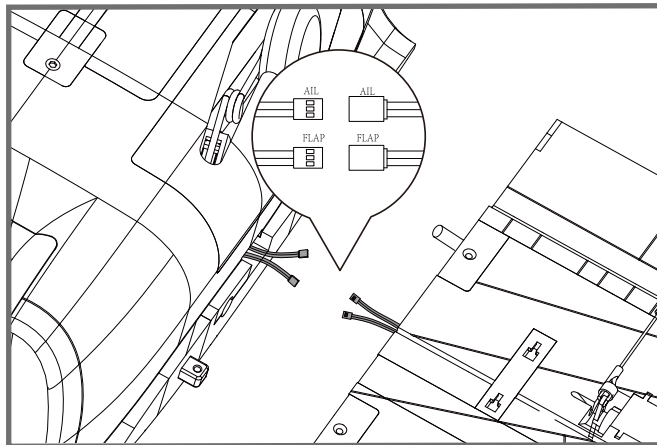


主翼安装

1. 将主翼对接管装入机身槽位，安装左右两侧机翼。

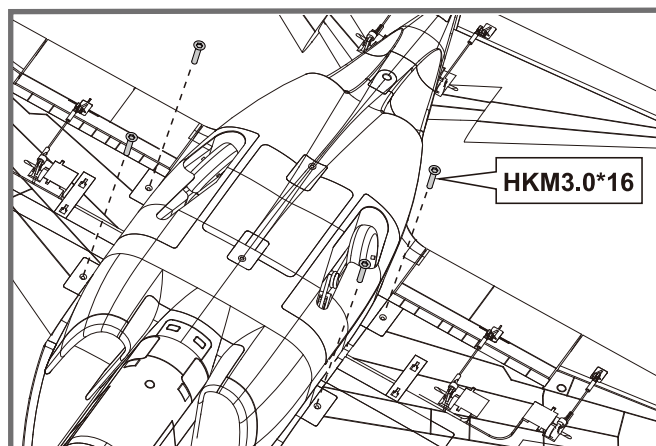


2. 连接副翼、襟翼与机身预埋的舵机延长线。



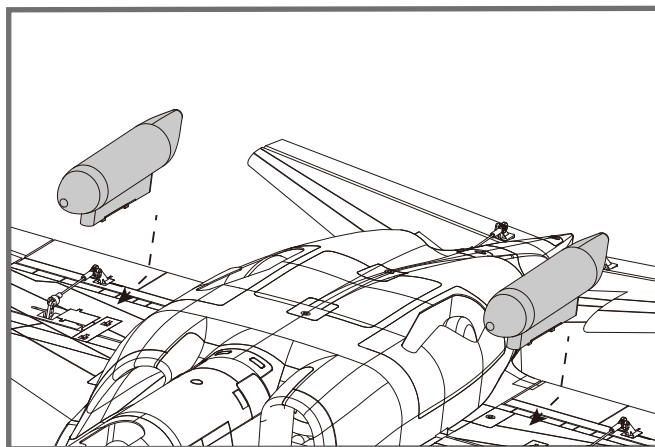
机体安装

3.使用所附螺丝固定机翼至机身。



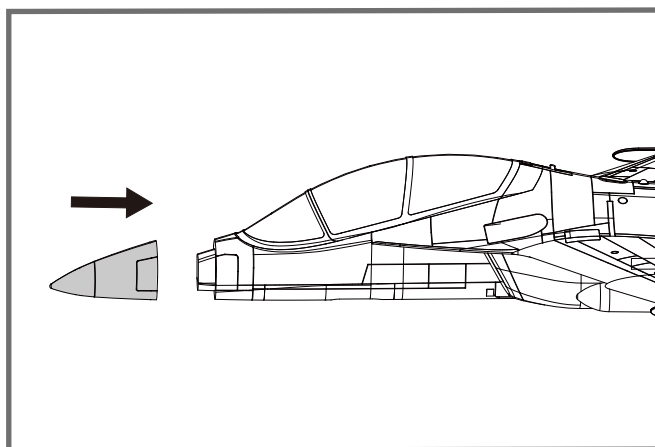
副油箱安装

1.将选配的副油箱锁紧两侧机翼相应槽位内。



机头罩安装

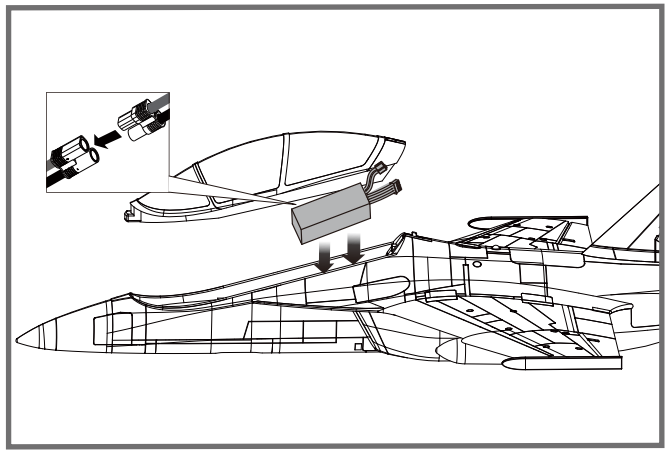
1.如图所示, 安装机头罩至机身。



电池安装

1. 打开座舱卡扣, 移开座舱。
2. 取下电池板上的魔术贴(毛面)贴于电池上面。
3. 如图所示, 将电池置于电池舱内, 用魔术带绑紧, 使有电源线的那端朝向飞机的尾部。

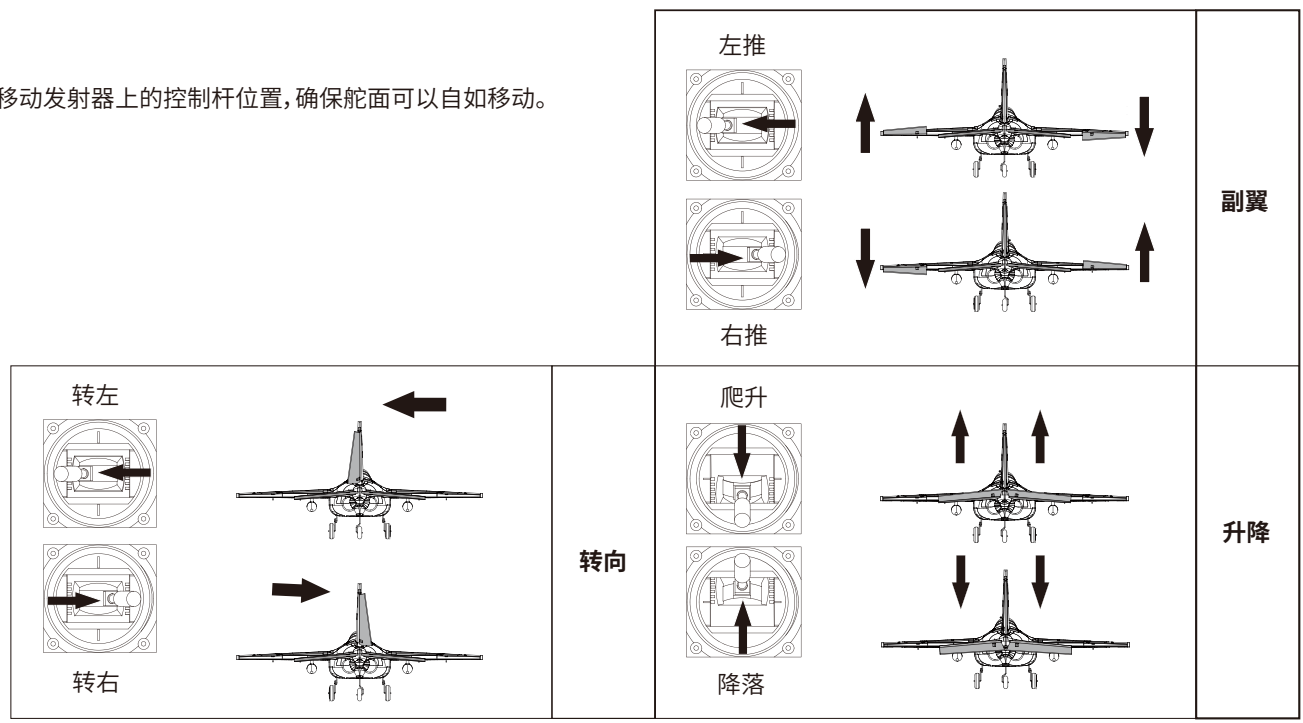
注意: 由于不同电池厂家生产的电池重量有轻微的差异, 需要调整电池的前后位置来平衡飞机的重心位置。



遥控器设置

警告: 为保证安全, 在遥控器参数设置及舵面调整过程中, 请务必拆下螺旋桨, 以免电机意外启动发生事故。遥控器发射机开机前, 确保油门杆在最低位置, 其它摇杆在中立位置。开发射机并给接收机通电, 随后听到电调初始化音(音符释义见后文“电子调速器说明书”)。观察所有舵面是否回中, 如果没有回中, 尽量通过调整舵机摇臂角度、连杆长度的方式来使舵面回中, 若调整长度在安全范围内仍未回中, 则使用遥控器通道微调或者菜单中的“SubTrim”选项来使舵面归中。如下图所示观察摇杆动作与舵面动作的对应关系, 如发生舵面反向需要使用遥控器中的通道反向功能来纠正。

1. 移动发射器上的控制杆位置, 确保舵面可以自如移动。



推荐舵面行程

温馨提示:首飞建议用小舵面行程

	大	小
升降舵	15mm up / down	10mm up / down
副翼舵	12mm up / down	8mm up / down
方向舵	20mm left / right	15mm left / right

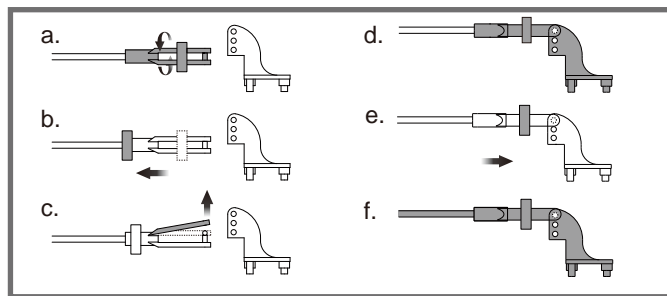
接收机连接示意图

如图所示,以 Futaba 遥控器为例,将副翼舵机信号线插入接收机副翼通道、升降舵舵机信号线插入接收机升降舵通道、方向舵舵机信号线插入接收机方向舵通道、电调信号线插入接收机电调通道。最后将所有连接线整理整齐并固定在电池仓后部的凹槽内,随后固定好接收机。

副翼	1	Receiver
平尾	2	Channel-1 — Aile
油门	3	Channel-2 — Elev
垂尾	4	Channel-3 — Thro
起落架	5	Channel-4 — Rudd
		Channel-5 — Gear

球头安装方式

1. 保证舵机为回中状态,将连接杆夹头调整到合适位置。
2. 将 O 型圈移开,打开夹头,将夹头安装到舵角孔位。
3. 将 O 型圈移回相应位置,锁紧夹头。



舵角和舵机摇臂安装

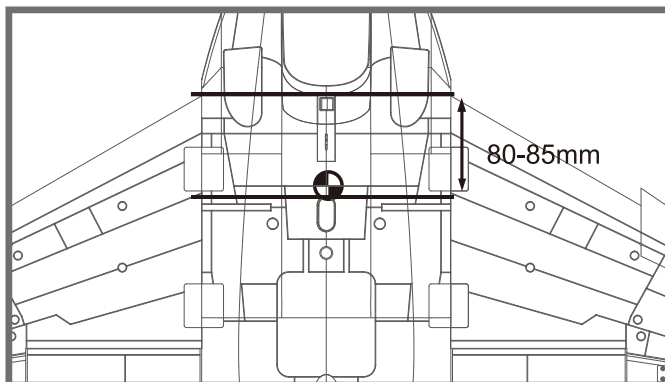
图示是舵角和舵面摇臂的出厂设置。首飞建议用出厂设置的小舵角飞行。首飞后,可按图调整舵角。

	舵角	摇臂	大舵面
平尾			
垂尾			
副翼			
			小舵面

重心调整

通过移动电池在电池舱内的前后位置调整飞机的重心,使飞机保持水平或稍微头重的状态。首飞以后,重心位置可以根据你自己的飞行偏好再做更改。

1. 如图所示,推荐重心位置是机翼前缘往后 80-85mm 处(安装电池以后)。推荐把食指放在机翼下面的重心位置来帮助调整重心。
2. 在调整飞机重心的时候请确定飞机处于组装完毕待飞的状态。



飞行前准备

起飞前的检查

每次飞行前须做严格的地面检查,可有效避免飞行事故的发生。

1. 检查全机螺丝是否安装到位、舵角摇臂连接可靠。机翼快拆装置已锁紧。
2. 安装电池,并调整飞机重心到说明书推荐位置。
3. 动力电池、遥控器发射机电池等已充满电,处于可靠工作状态。
4. 发射机油门杆保持在最低位(推荐使用带有油门锁定功能的遥控设备),打开发射机,随后连接动力电池,待电调初始化完成后检查各个舵面是否回中,是否动作正确。
5. 轻推油门观察螺旋桨转向是否正确。

所有检查完成后,方可进行飞行,初学者首次飞行需要有经验的爱好者协助完成,避免因操作不当发生飞行事故。

合适的飞行场地

航模飞行须远离人群、建筑物、树木、高压线及禁飞区的空旷场地(至少 2-3 个足球场大小)。初学者飞行前需要向有经验的爱好者询问相关安全事宜。

关于飞行时间

厂家推荐的飞行时间是使用厂家推荐型号的电池,由有经验的爱好者在微风天完成飞行测试得到的飞行时间,该时间与电池参数、飞机全备重量、飞行条件以及飞行手法相关,不同飞行条件可能得到不同的飞行时间。

建议爱好者在飞行时使用遥控器的“计时功能”,建议初始飞行时间设定为 4 分钟,飞行时间倒计时告警后,降落飞机并测量电池电压,方可估算飞行时间并重新调整遥控器计时。如发射机没有计时功能,需要其他设备辅助测算飞行时间,以保证飞行安全。

在电池放电后期,禁止将飞机飞入下风区(风向指向的远端),防止动力不足而导致飞机不能安全返航。

故障检修指导

问题	问题原因	解决方式
油门推杆无响应,但舵机有响应	—电调未连接电机 —油门通道反向	—降低油门推杆和油门微调设定 —反过来重新装油门通道
桨的噪音过大或者震动过大	—桨罩、桨、电机、电机架坏了 —桨或者桨罩的小部件松动了 —桨装反了	—更换损坏的配件 —把桨、桨夹和桨罩的小部件拧紧 —反过来重新装桨
飞行时间变短,飞机无力	—电池电量低 —桨装反了 —电池坏了	—重新给电池充电 —依照电池说明书更换新的电池
飞舵面不动,或者动作响应较慢	—舵面、舵角、连接杆、舵机坏了 —连接线坏了或者接头松了	—更换或者维修坏了的配件 —检查所有连接线,确保所有接头无松动现象
舵面反向	—遥控器发射机通道反向	—检查通道控制(舵面)方向,调试飞机舵面和遥控器的舵面控制杆
电机无力	—电机或电池坏了 —电调用了不合适的低压保护装置	—检查电池、发射机、接收机、电调、电机是否有损坏(如有,请及时更换) —立刻操控飞机降落,重新给电池充电
接收器的LED灯慢闪	—接收器低电量	—检查电调和接收器之间的连接 —检查舵机是否受损 —检查连接杆是否安装到位

配件列表

FMSPS101RED-1	机身	FMSDF12B70	12叶70涵道
FMSPS102RED	主翼	PRKV1850	KV1850捕食者电机
FMSPS103RED	垂尾	PRESC023	捕食者80A电调
FMSPS104RED	平尾	FMSSER9MGDP	9克金属数码正向舵机
FMSPS105RED	座舱	FMSSER9MGDR	9克金属数码反向舵机
FMSPS106RED	机头罩	FMSRE045	电子收放045
FMSPS107	连接钢丝	FMSRE012	电子收放012
FMSPS108	螺丝组		
FMSPS109-1	前起落架组		
FMSPS109-2	主起落架组		
FMSPS110-1	主起落架系统		
FMSPS111-1	前起落架系统		
FMSPS112	对接管		
FMSPS113RED	贴纸		
FMSPS114RED	油箱		

如需查找产品图片,请登录FMS官方淘宝店<https://fmsmodel.taobao.com>。如需查找电调说明书,则在以上网址搜索栏中搜索关键词“电调”,即可在任何一款电调产品页面查看。



MADE IN CHINA