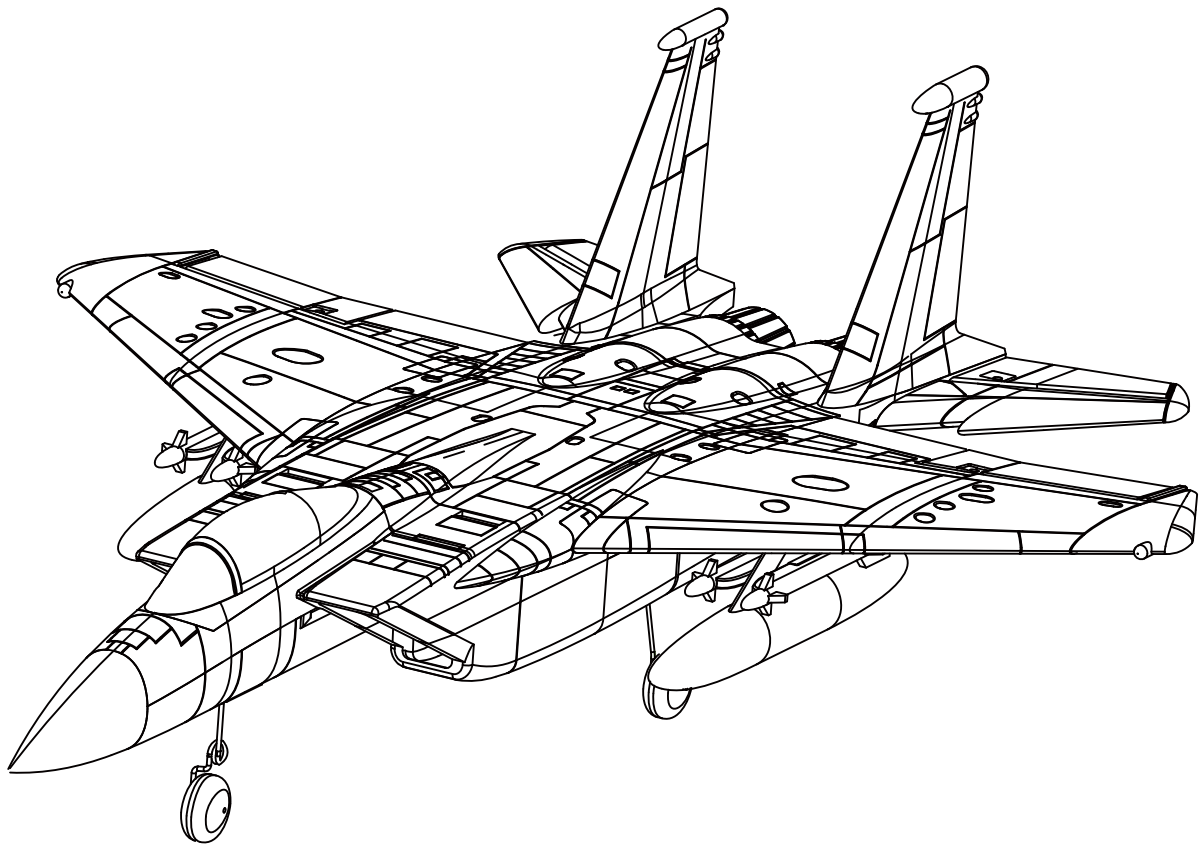




64MM F-15 V2

Operating Manual



SIMPLE
• Easy assembly

RIGID
• STRONG DURABLE EPO

STABLE
• SMOOTH FLYING PERFORMANCE

FMSMODEL.COM

WARNING



WARNING: Read the ENTIRE instruction manual to become familiar with the features of the product before operating. Failure to operate the product correctly can result in damage to the product, personal property and cause serious injury.

This is a sophisticated hobby product and NOT a toy. It must be operated with caution and common sense and failure to do so could result in injury or damage to the product or other property. This product is not intended for use by children without direct adult supervision.

This manual contains instructions for safety operation and maintenance. It is essential to read and follow all the instructions and warnings in the manual prior to assembly, setup or use, in order to operate and avoid damage or serious injury.

Safety Precautions and Warnings

As the user of this product, you are solely responsible for operating in a manner that does not endanger yourself and others or result in damage to the product or the property of others. This model is controlled by a radio signal subject to interference from many sources outside your control. This interference can cause momentary loss of control so it is advisable to always keep a safe distance in all directions around your model, as this margin will help avoid collisions or injury.

Age Recommendation: Not for children under 14 years. This is not a toy.

- Never operate your model with low transmitter batteries.
- Always operate your model in an open area away from cars, traffic or people.
- Avoid operating your model in the street where injury or damage can occur.
- Never operate the model in populated areas for any reason.
- Carefully follow the directions and warnings for this and any optional support equipment you use (chargers, rechargeable battery packs, etc.)
- Keep all chemicals, small parts and anything electrical out of the reach of children.
- Moisture causes damage to electronics. Avoid water exposure to all equipment not specifically designed and protected for this purpose.
- Never lick or place any part of your model in your mouth as it could cause serious injury or even death.

Safety

Lithium Polymer (Li-Po) Battery Warning

CAUTION: Always follow the manufacturer's instructions for safe use and disposal of batteries. Fire, property damage, or serious injury can result from the mishandling of Li-Po batteries.

- By handling, charging or using a Li-Po Battery you assume all risks associated with lithium batteries.
If at any time the batteries begin to swell or balloon, discontinue use immediately!
- Always store the batteries at room temperature in a dry area to extend the life of the battery. Always transport or temporarily store the battery at a temperature range of 40-120F. Do not store the battery or model in a car or in direct sunlight. If stored in a hot car, the battery can be damaged or even catch fire.
- Never use a Ni-Mh Charger to charge Li-Po Batteries. Failure to charge the battery with a Li-Po compatible charger may cause fire resulting in personal injury and property damage.
- Never discharge Li-Po Cells below 3V.
- Never leave charging batteries unattended.
- Never charge damaged batteries.
- Use a battery charger that is designed to safely charge the Li-Po Battery. Read the charger instructions carefully before use. When charging the battery, make certain the battery is on a heat resistant surface. It is also highly recommended to place the Li-Po Battery inside a fire resistant charging bag readily available at hobby shops or online.

Table of Contents

Introduction	3
Contents of Kit	4
Model Assembly	5
Important ESC and model information	9
Get your model ready to fly	10
The transmitter and model setup	10
Check the control throws	11
Clevis Installation	12
Control Horn and Servo Arm Settings	12
Center of Gravity(CG)	13
Before flying the model.....	14
Flying Course	15
Troubleshooting	16
Spare parts list content	17
ESC instruction	18

Introduction

FMS is pleased to announce that all 64mm ducted fan aircrafts are being upgraded. Beginning with the release of the 64mm F-15 V2. Inspired by the superior features of the original model, version two (V2) has improved mechanical and structural features that will enhance air performance and decrease assembly time.

The fiber pipe greatly enhances the wing strength for enhanced flying maneuvers. Improved main wing set and landing gear installation optimizes strength of structure and reduces assembly time.

The latest 64mm ducted fan can achieve more than 800 grams of thrust. The differences in speeds between the V1 and V2 will be noticeable. If you possess the “need for speed,” accessories such as missiles can be removed to create a faster more streamlined model.

Upgrades

- 420mm fiber pipe inserted through the fuselage and main wing
- Use of four inner-hexagon screws instead of glue improves main wing set and landing gear installation optimizing strength of structure
- New more powerful 64mm 11-blade ducted fan with up to 800 grams of thrust.
- New 2840-KV3150 motor
- New Predator 40A ESC
- The latest FMS EPO foam material creates stronger, more impact-resistant planes.
- Environmentally friendly water-based paint minimizes blistering from sun
- Pre-installed newly designed control horns allows more throw

Features

- 420mm fiber pipe inserted through the fuselage and main wing
- Improved main wing set and landing gear installation optimizes strength of structure and reduces assembly time
- 64mm 11-blade ducted fan
- 2840-KV3150 motor
- Predator 40A ESC
- 5x 9g servos
- The latest EPO foam material creating a stronger, more impact-resistant plane
- Environmentally friendly water-based paint minimizes blistering from sun
- Pre-installed newly designed control horns allows more throw

Specifications

Wingspan: 715mm (28.1in)

Overall Length: 980mm (38.6in)

Flying Weight: Around 1025g (36.2 oz)

Motor Size: Brushless 2840-KV3150

Wing Load: 66.5g/dm² (0.15oz/in²)

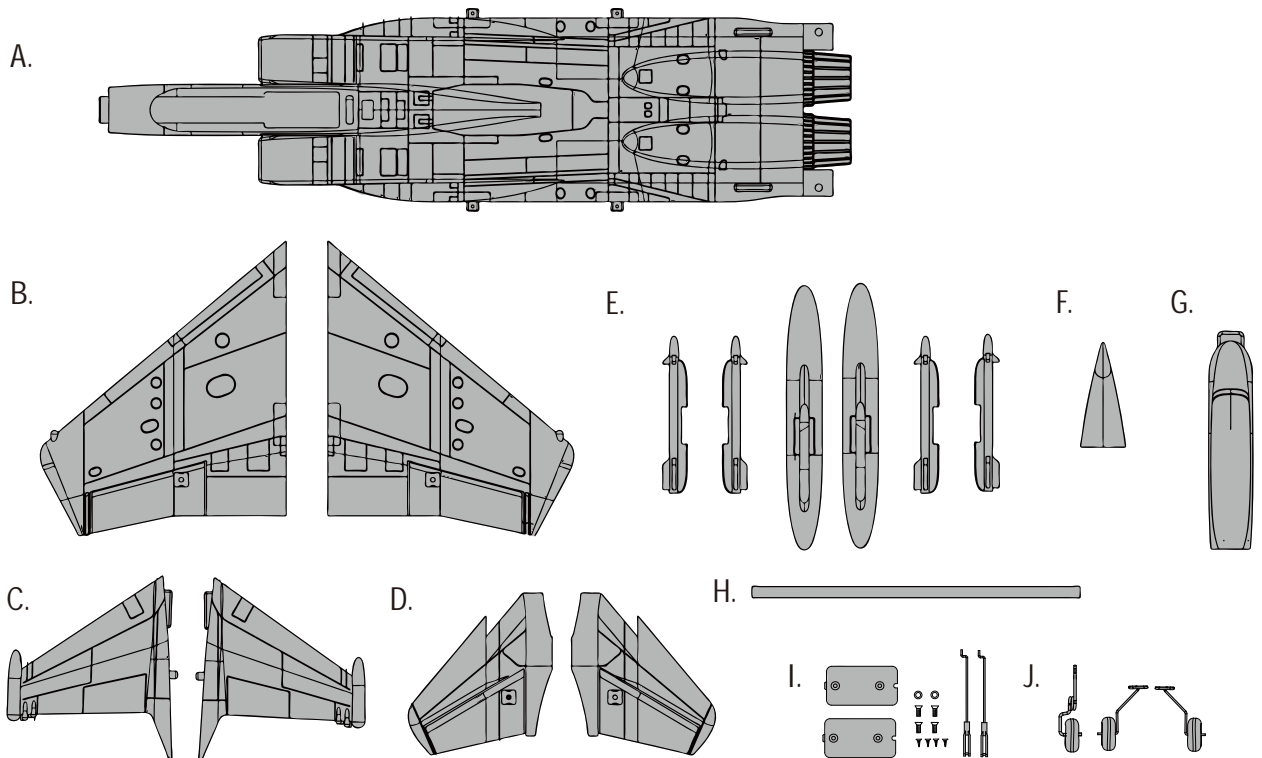
Wing Area: 15.4dm² (238.7sq.in)

ESC: 40A

Servo: 9g Servo x 5

Contents of Kit

Before assembly, please inspect the contents of the kit. The photo below details the contents of the kit and labels. If any parts are missing or defective, please identify the name or part number (refer to the spare parts list near the end of the manual) then contact your local shop or email us: support@fmsmodel.com



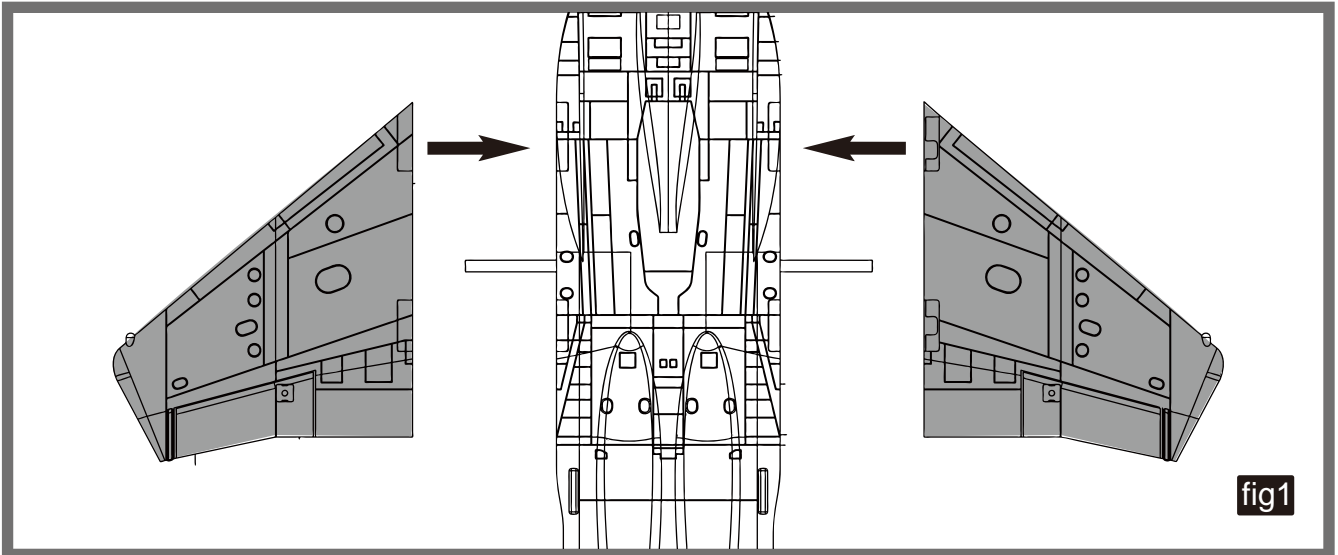
A: Fuselage
 B: Main wing (Left and Right)
 C: Vertical Stabilizer (Left and Right)
 D: Horizontal Stabilizer (Left and Right)

E: Missile Set
 F: Nose Cone
 G: Canopy
 H: Fiber Pipe

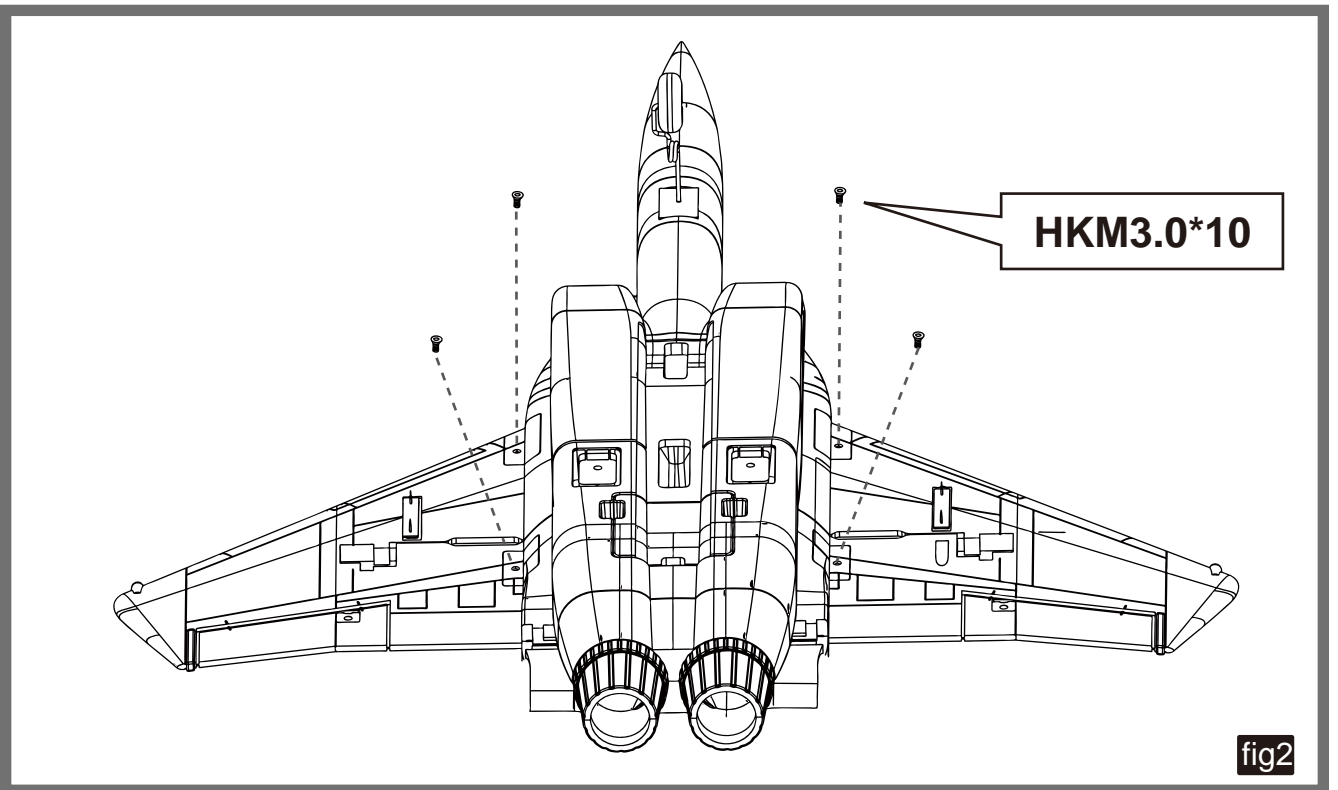
I: Linkage and Screws
 (4-HKM3.0*10, 4-KA2.0*8)
 J: Landing Gear Set

Main Wing Installation

1. Slide the wing tube into the fuselage (fig1).
2. Install the left and right wing over the wing tube and into the wing slot of the fuselage (fig1).



3. Secure the left and right wing to the fuselage using the 4 screws included (fig2)

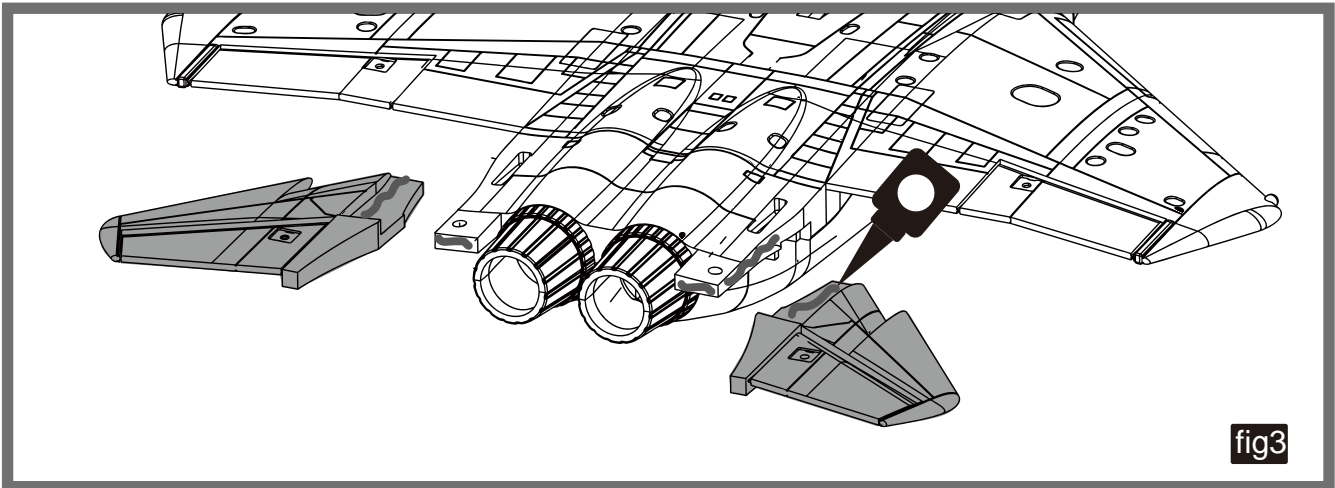


Model Assembly

Horizontal Stabilizer Installation:

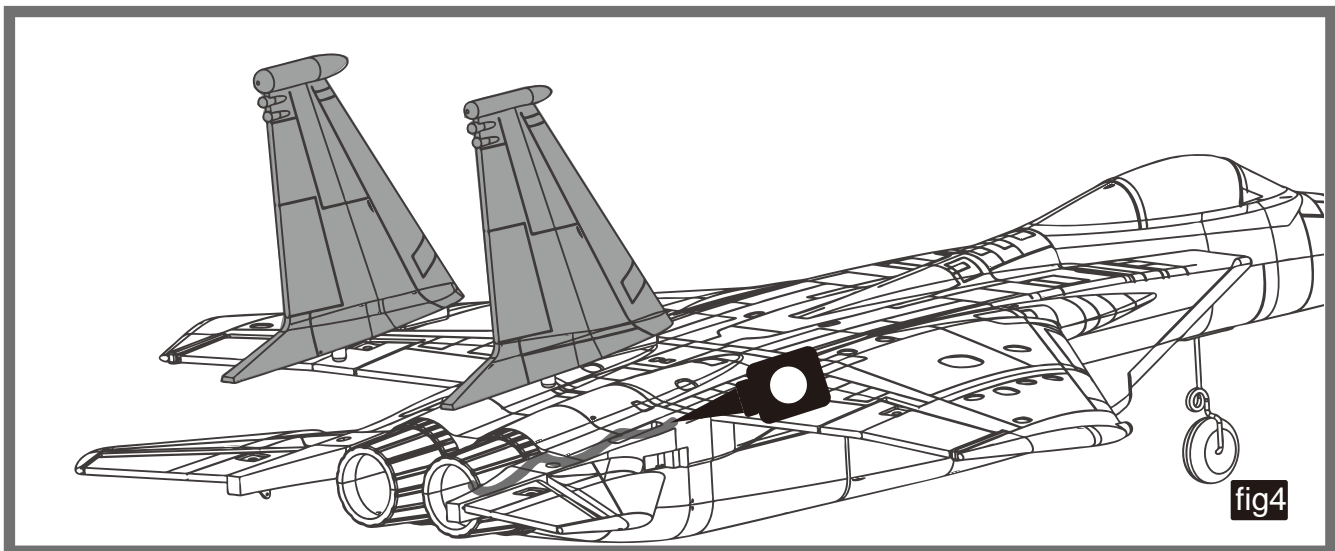
Carefully apply CA to the base and the side of the rear fuselage slot. Install the stabilizer into place. Ensure the control horn faces down as shown (fig3).

Note: Ensure the stabilizer horizontal axis is parallel to the wing. Adjust any misalignment before the glue dries thoroughly.



Vertical Stabilizer Installation:

Carefully apply CA to the top rear fuselage slots. Install the vertical stabilizer into place (fig4).



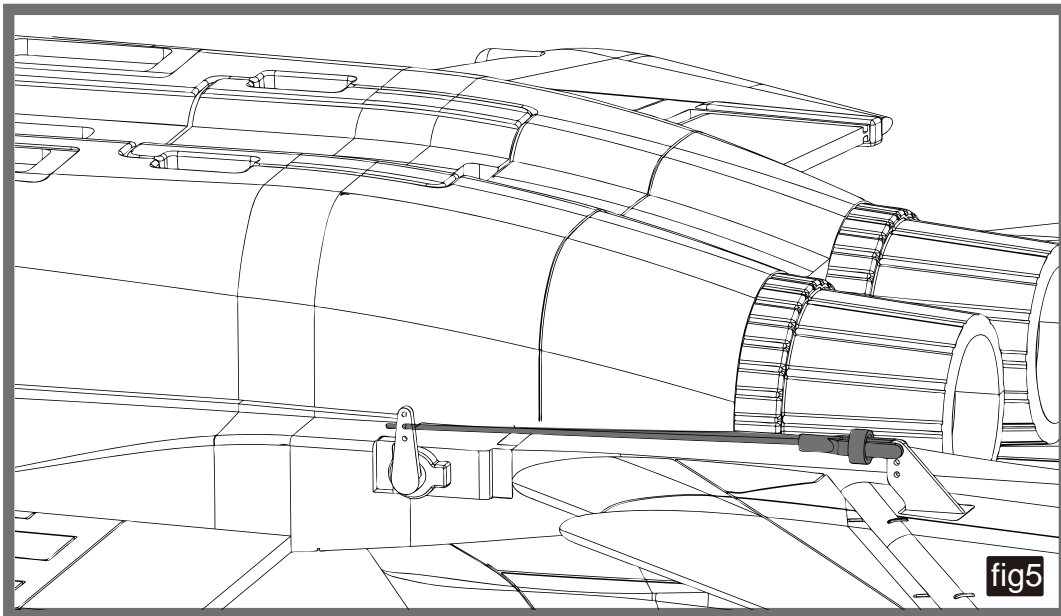
Required Adhesives:



Foam Safe Medium CA

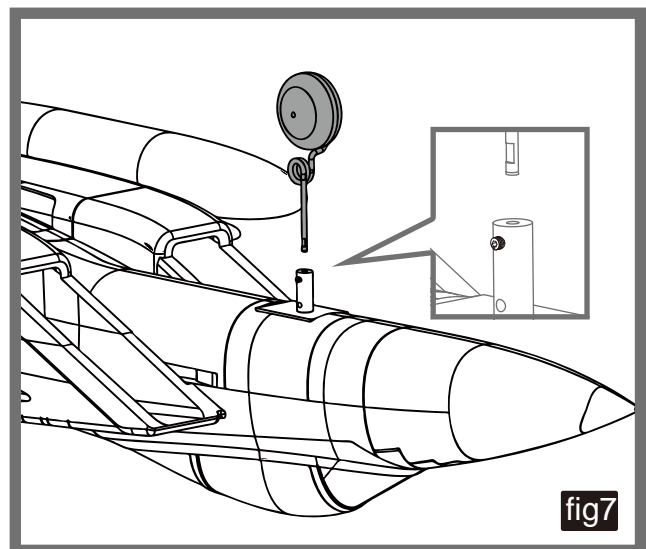
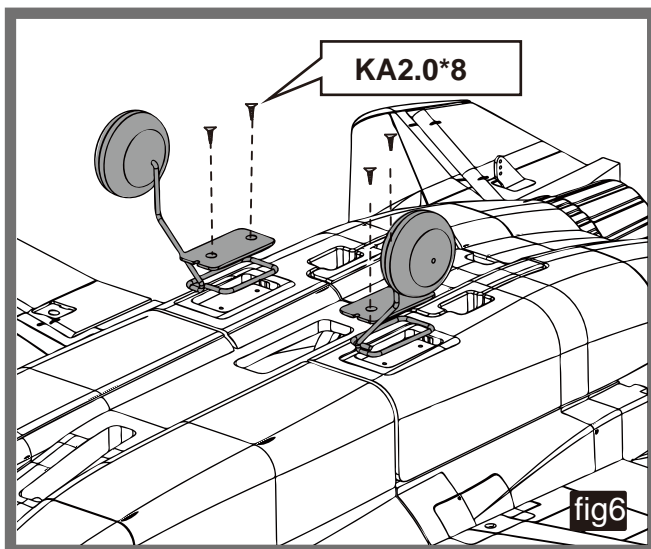
Clevis Installation:

Install the clevis. (fig5) Refer to the Clevis Installation on page 12.



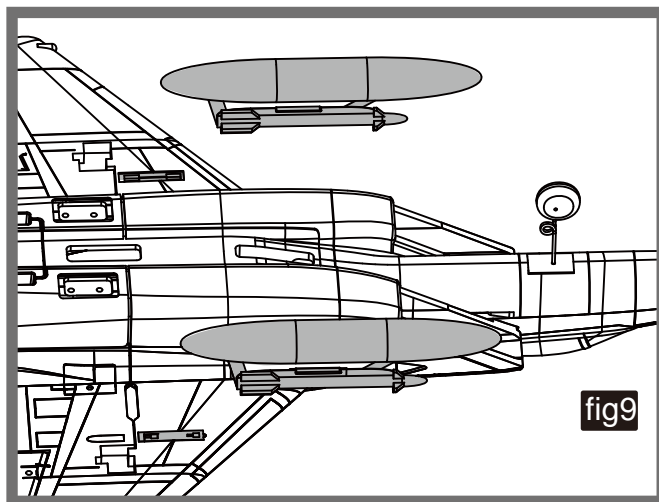
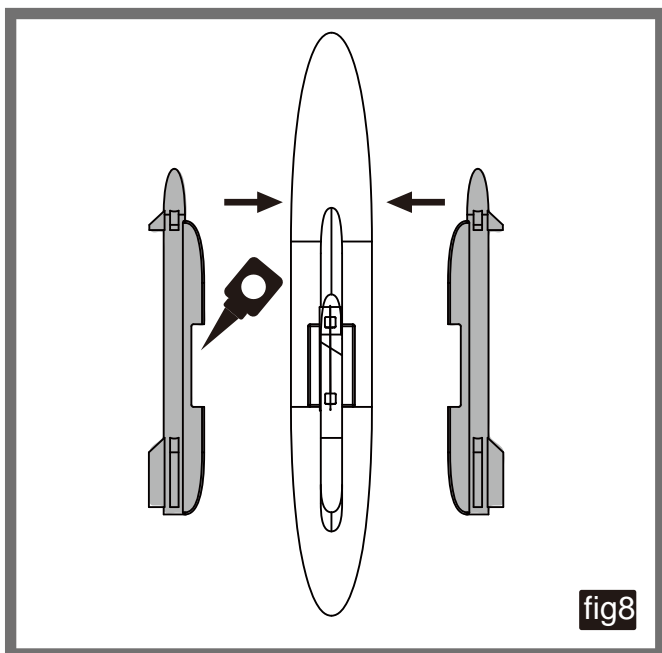
Landing Gear Installation:

1. Install the main landing gear with the included screws (fig6).
2. Install the front landing gear and then tighten the screw (fig7).



Missile Installation:

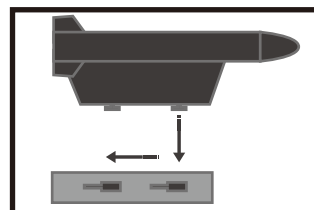
1. Apply glue on the missile with CA and slide the whole missile set into the rails on each wing (fig8/fig9).



Required Adhesives:

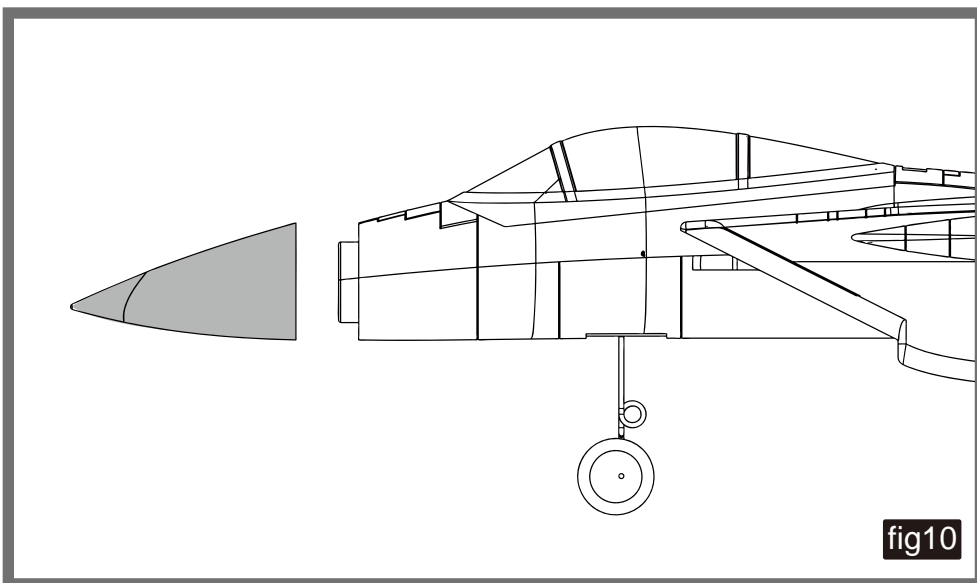


Foam Safe Medium CA



Nose Cone Installation:

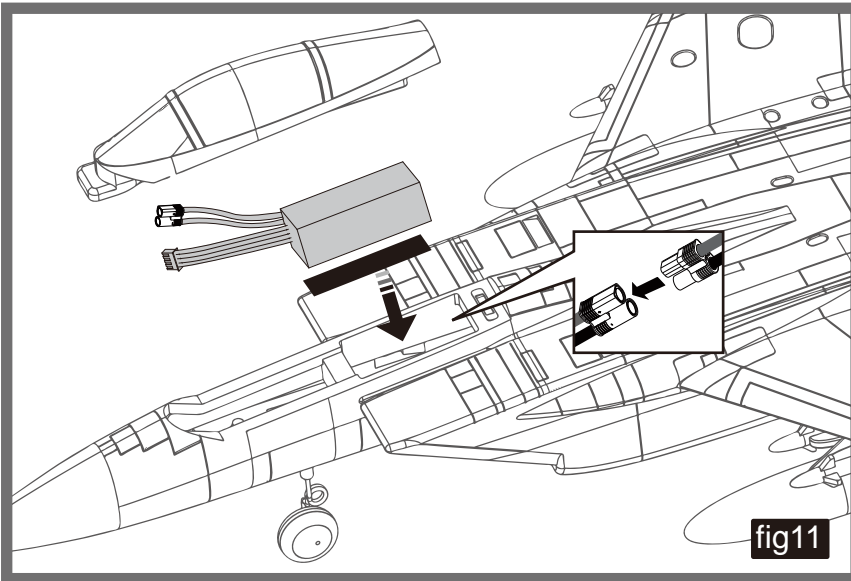
Apply the nose cone to the front fuselage as diagram shows. Ensure the nose cone is on the correct side.(fig10)



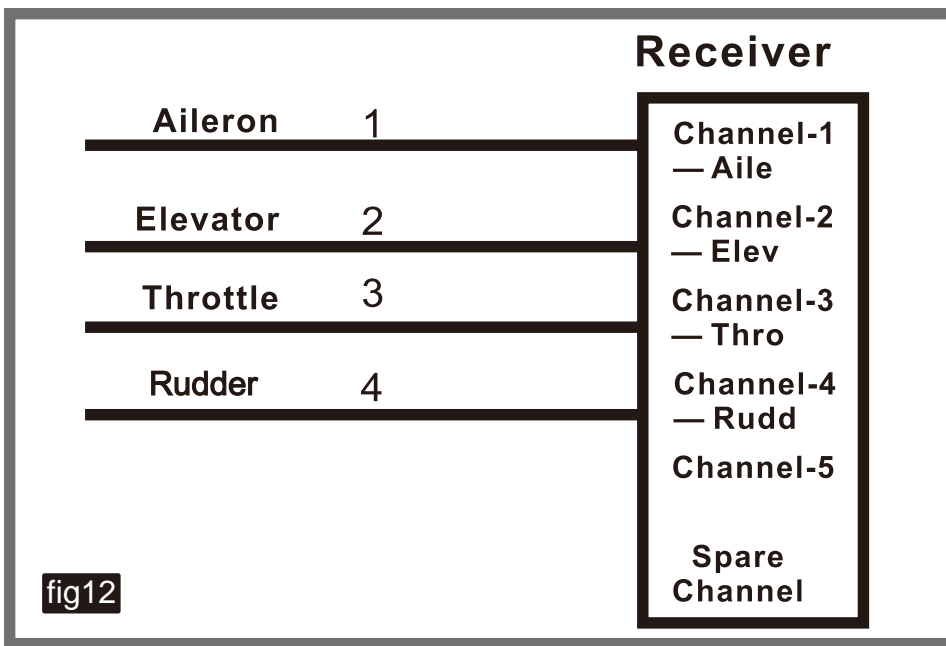
Battery and radio installation

1. Apply the hook tape to the cable end of the battery (fig 11).
2. Slide the battery into the battery compartment with the power supply cable toward the fore-end of the plane.

Note: you may need to relocate the battery position to achieve the correct CG for your model.



3. Check the connection diagram below for more information (fig12.)



Get your model ready to fly

Important ESC and model information

1. The ESC included with the model has a safe start. If the motor battery is connected to the ESC and the throttle stick is not in the low throttle or off position, the motor will not start until the throttle stick is moved to the low throttle or off position. Once the throttle stick is moved to the low throttle or off position, the motor will emit a series of beeps. Several beeps with the same tune means the ESC has detected the cells of the battery. The count of the beeps equals the cells of the battery. The motor is now armed and will start when the throttle is moved.
2. The motor and ESC come pre-connected and the motor rotation should be correct. If for any reason the motor is rotating in the wrong direction, simply reverse two of the three motor wires to change the direction of rotation.
3. The motor has an optional brake setting. The ESC comes with brake switched off and we recommend that the model be flown with the brake off. However, the brake could be accidentally switched on if the motor battery is connected to the ESC while the throttle stick is set at full throttle. To switch the brake off, move the throttle stick to full throttle and plug in the motor battery. The motor will beep one time. Move the throttle stick to low throttle or the off position. The motor is ready to run and the brake will be switched off.
4. Battery Selection and Installation. We recommend the 14.8V 2600mAh 4S 35C Li-Po battery. If using another battery, the battery must be at least a 14.8V 2600mAh 4S 35C battery. Your battery should be approximately the same capacity, dimension and weight as the 14.8V 2600mAh 4S 35C Li-Po battery to fit the fuselage without changing the center of gravity significantly.

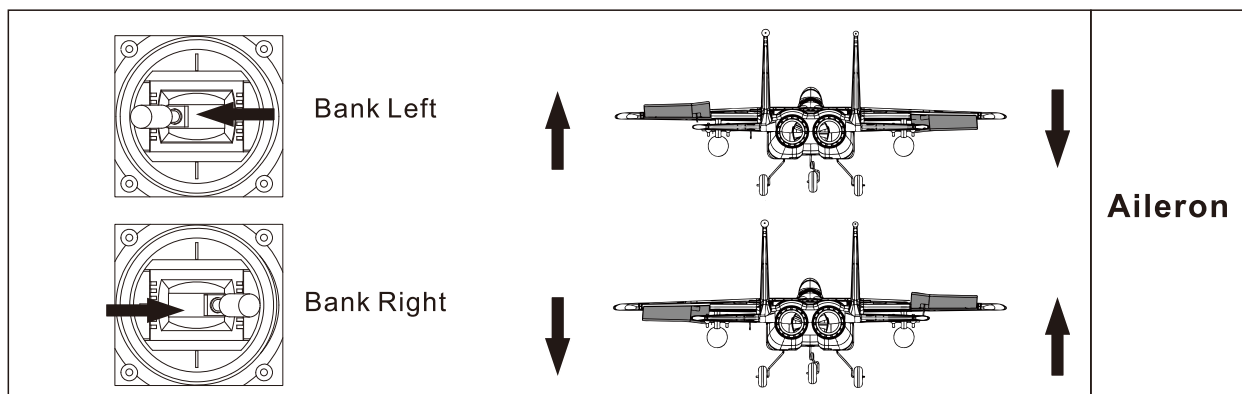
The transmitter and model setup

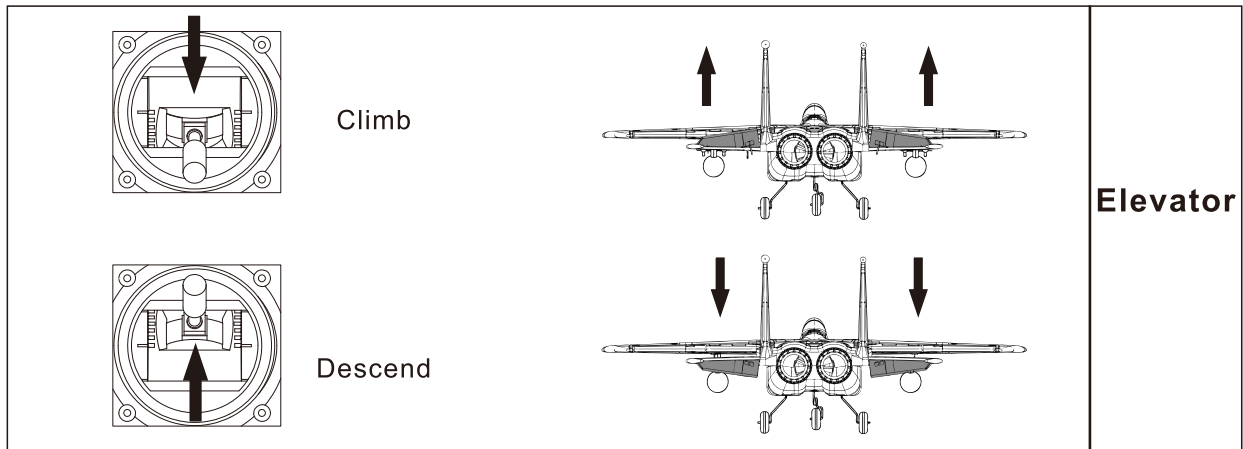
Before getting started, bind your receiver with your transmitter. Please refer to your Transmitter Manual for proper operation

CAUTION: To prevent personal injury, DO NOT install the propeller assembly onto the motor shaft while testing the control surfaces. DO NOT arm the ESC and do not turn on the transmitter until the Transmitter Manual instructs you to do so.

Tips: Make sure all control sticks on your radio are in the neutral position (rudder, elevator, ailerons) and the throttle is in the OFF position. Make sure both ailerons move up and down (travel) the same amount. This model tracks well when the left and right ailerons travel the same amount in response to the control stick.

1. Move the controls on the transmitter to make sure the aircraft control surface moves correctly. See diagrams below.





Check the control throws

The suggested control throw setting for FMS MODEL are as follows (dual rate setting):

High Rate

Elevator 14mm up/down
Aileron 12mm up/down

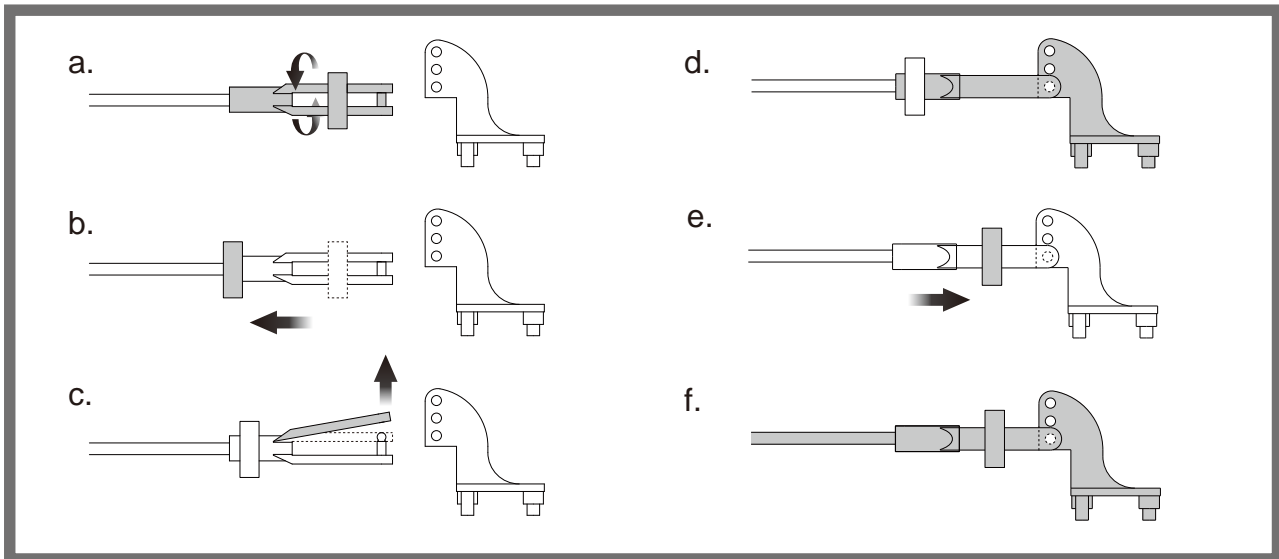
Low Rate

10mm up/down
8 mm up/down

Tips: On first flight, fly the model in low rate. The first time you use high rates, be sure to fly at low to medium speeds. High rate, as listed, is only for EXTREME maneuvering.

Clevis Installation

- Pull the tube from the clevis to the linkage.
- Carefully spread the clevis, then insert the clevis pin into the desired hole in the control horn.
- Move the tube to hold the clevis on the control horn.



Control Horn and Servo Arm Settings

The table shows the factory settings for the control horns and servo arms. Fly the aircraft at the factory settings before making changes. After flying, you may choose to adjust the linkage positions for the desired control response. See the table to the below

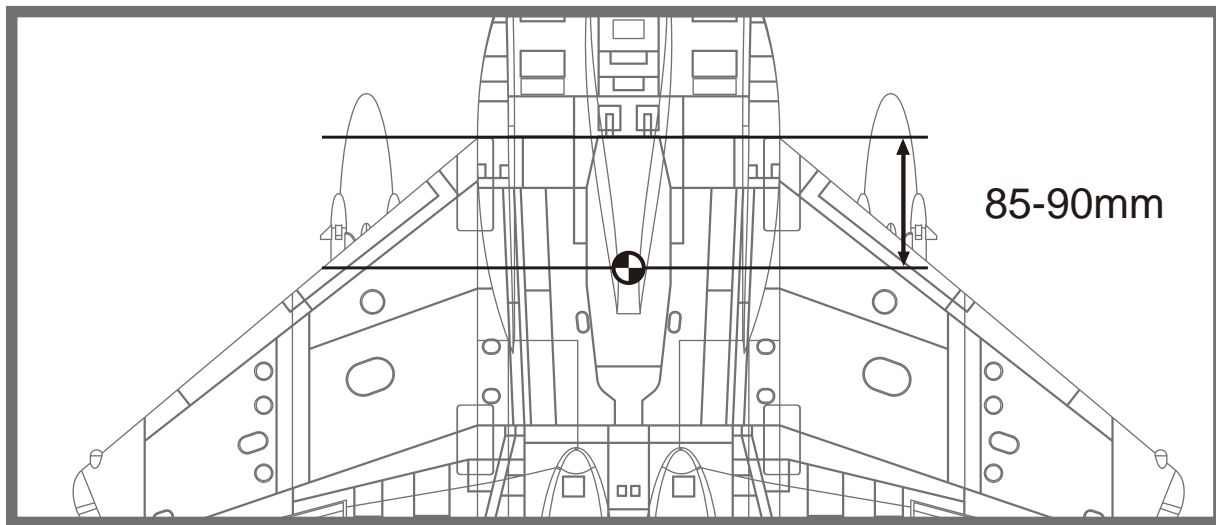
	Horns	Arms
Elevator		
Rudder		
Ailerons		

More control throw
Less control throw

Check the C.G. (Center of Gravity)

When balancing your model, adjust the motor battery as necessary so the model is level or slightly nose down. This is the correct balance point for your model. After the first flights, the CG position can be adjusted for your personal preference.

1. The recommended Center of Gravity (CG) location for your model is (85-90mm) forward from the leading edge of the main wing (as shown) with the battery pack installed. Mark the location of the CG on top of the wing.
2. When balancing your model, support the plane at the marks made on the bottom of the main wing with your fingers or a commercially available balancing stand. This is the correct balance point for your model. Make sure the model is assembled and ready for flight before balancing.



Before flying the model

Find a suitable flying site

Find a flying site clear of buildings, trees, power lines and other obstructions. Until you know how much area will be required and have mastered flying your plane in confined spaces, choose a site which is at least the size of two to three football fields - a flying field specifically for R/C planes is best. Never fly near people - especially children, who can wander unpredictably.

Perform the range check for your plane

As a precaution, an operational ground range test should be performed before the first flight each time you go out. Performing a range test is a good way to detect problems that could cause loss of control such as low batteries, defective or damaged radio components, or radio interference. This usually requires an assistant and should be done at the actual flying site you will be using.

First turn on the transmitter, then install a fully-charged battery into the fuselage. Connect the battery and install the hatch.

Remember, use care not to bump the throttle stick. Otherwise, the propeller/fan will turn and possibly cause damage or injury.

Note: Please refer to your Transmitter Manual that came with your radio control system to perform a ground range check. If the controls are not working correctly or if anything seems wrong, do not fly the model until you correct the problem. Make certain all the servo wires are securely connected to the receiver and the transmitter batteries have a good connection.

Monitor your flight time

Monitor and limit your flight time using a timer (such as on a wristwatch or in your transmitter if available). When the batteries are getting low you will usually notice a performance drop before the ESC cuts off motor power, so when the plane starts flying slower you should land. Often (but not always) power can be briefly restored after the motor cuts off by holding the throttle stick all the way down for a few seconds.

To avoid an unexpected dead-stick landing on your first flight, set your timer to a conservative 4 minutes. When your alarm sounds you should land right away.

Flying course

Take off

While applying power, slowly steer to keep the model straight. The model should accelerate quickly. As the model gains flight speed you will want to climb at a steady and even rate. It will climb out at a nice angle of attack (AOA).

Flying

Always choose a wide-open space for flying your plane. It is ideal for you to fly at a sanctioned flying field. If you are not flying at an approved site always avoid flying near houses, trees, wires and buildings. You should also be careful to avoid flying in areas where there are many people, such as busy parks, schoolyards, or soccer fields. Consult laws and ordinances before choosing a location to fly your aircraft. After takeoff, gain some altitude. Climb to a safe height before trying technical manoeuvres, including high speed passes, inverted flight, loops, and point rolls.

Landing

Land the model when you hear the motor pulsing (LVC) or if you notice a reduction in power. If using a transmitter with a timer, set the timer so you have enough flight time to make several landing approaches.

Recharge the battery and repair the model as needed. The model's three point landing gear allows the model to land on hard surfaces. Align model directly into the wind and fly down to the ground. Fly the airplane down to the ground using 1/4-1/3 throttle to keep enough energy for proper flare. Before the model touches down, always fully decrease the throttle to avoid damaging the propeller or other components. The key to a great landing is to manage the power and elevator all the way to the ground and set down lightly on the main landing gear. After a few flights you will find the model can be set down lightly on the mains and you can hold the nose wheel off balancing the model on the mains until it slows and gently settles the nose.

Maintenance

Repairs to the foam should be made with foam safe adhesives such as hot glue, foam safe CA, and 5min epoxy. When parts are not repairable, see the Spare Parts List for ordering by item number.

Always check to make sure all screws on the aircraft are tightened. Pay special attention to make sure the spinner is firmly in place before every flight.

Troubleshooting

Problem	Possible Cause	Solution
Aircraft will not respond to the throttle but responds to other controls.	<ul style="list-style-type: none"> - ESC is not armed. - Throttle channel is reversed. 	<ul style="list-style-type: none"> - Lower throttle stick and throttle trim to lowest settings. - Reverse throttle channel on transmitter.
Extra propeller noise or extra vibration.	<ul style="list-style-type: none"> - Damaged spinner, propeller, motor, or motor mount. - Loose propeller and spinner parts. - Propellor installed backwards. 	<ul style="list-style-type: none"> - Replace damaged parts. - Tighten parts for propeller adapter, propeller and spinner.
Reduced flight time or aircraft underpowered.	<ul style="list-style-type: none"> - Flight battery charge is low. - Propeller installed backward. - Flight battery damaged. 	<ul style="list-style-type: none"> - Remove and install propeller correctly. - Completely recharge flight battery. - Replace flight battery and follow flight battery instructions.
Control surface does not move, or is slow to respond to control inputs.	<ul style="list-style-type: none"> - Control surface, control horn, linkage or servo damage. - Wire damaged or connections loose. 	<ul style="list-style-type: none"> - Replace or repair damaged parts and adjust controls. - Do a check of connections for loose wiring.
Controls reversed.	Channels are reversed in the transmitter.	Do the Control Direction Test and adjust controls for aircraft and transmitter.
<ul style="list-style-type: none"> - Motor loses power. - Motor power pulses then motor loses power. 	<ul style="list-style-type: none"> - Damage to motor, or battery. - Loss of power to aircraft. - ESC uses default soft Low Voltage Cutoff(LVC). 	<ul style="list-style-type: none"> - Do a check of batteries, transmitter, receiver, ESC, motor and wiring for damage (replace as needed). - Land aircraft immediately and recharge flight battery.
LED on receiver flashes slowly.	Power loss to receiver.	<ul style="list-style-type: none"> - Check connection from ESC to receiver. - Check servos for damage. - Check linkages for binding.

Spare parts list content

FMSPZ101	Fuselage
FMSPZ102	Main Wing Set
FMSPZ103	Rudder
FMSPZ104	Elevator
FMSPZ105	Missile & Oil Tank
FMSPZ106	Canopy
FMSPZ107	Cowl
FMSPZ108	Landing Gear Set
FMSPZ109	Linkage Rod
FMSPZ110	Pipe
FMSPZ111	Decal Sheet
FMS64MM11B	64mm Ducted Fan
FMSKV3150	2840-KV3150 Motor
PRESC009	40A ESC (With 430mm length input cable)
FMSSER9GP	9g Servo Positive
FMSSER9GR	9g Servo Reverse
FMSSER9G54	9g Servo 54 Degree

Visit our website to see photos of this product: www.fmsmodel.com

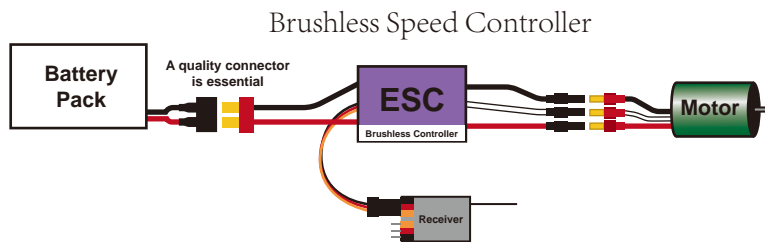
ESC instruction

Wires Connection:

The electronic speed controller can be connected to the motor by soldering directly, or with high quality connectors.

Always use new connectors, which should be soldered carefully to the cables and insulated with heat shrink tubes. The maximum length of the battery pack wires should be within 6 inches.

- Solder controller to the motor wires.
- Solder appropriate connectors to the battery wires.
- Insulate all solder connectors with heat shrink tubes.
- Plug the "JR" connector into the receiver throttle channel.
- Speed Controller Red and Black wires connect to battery pack Red and Black wires respectively.



Programming Mode Audible Tones

Programming Mode Audible Tones	ESC Functions
0 Throttle Calibration (within the first 4 Sec) ● ● ● ●	
1 Brake * * * *	Brake On /Off
2 Battery type ~ ~ ~ ~ ~ ~ ~ ~	NiCad LiPo
3 Low Voltage Cutoff Threshold *	Low 2.8V/50% Medium 3.0V/60% High 3.2V/65%
4 Restore Factory Setup Defaults - - - - -	Restore
5 Timing Setup - - - - - - - - - - - - - - -	Automatic (7-30°) Low (7-22°) High (22-30°)
6 Soft Acceleration Start Ups ∨	Very Soft Soft Acceleration Start Acceleration
7 Governor Mode * * * * ** ** ** ** *** ** ** **	Rpm off Heli first range Heli second range
8 Motor Rotation W W W W	Positive/Reverse
9 Switching Frequency // // // // // // // //	8kHz 16kHz
10 Low Voltage Cutoff Type X X X X X X X X	Reduce Power Hard Cut Off



MADE IN CHINA