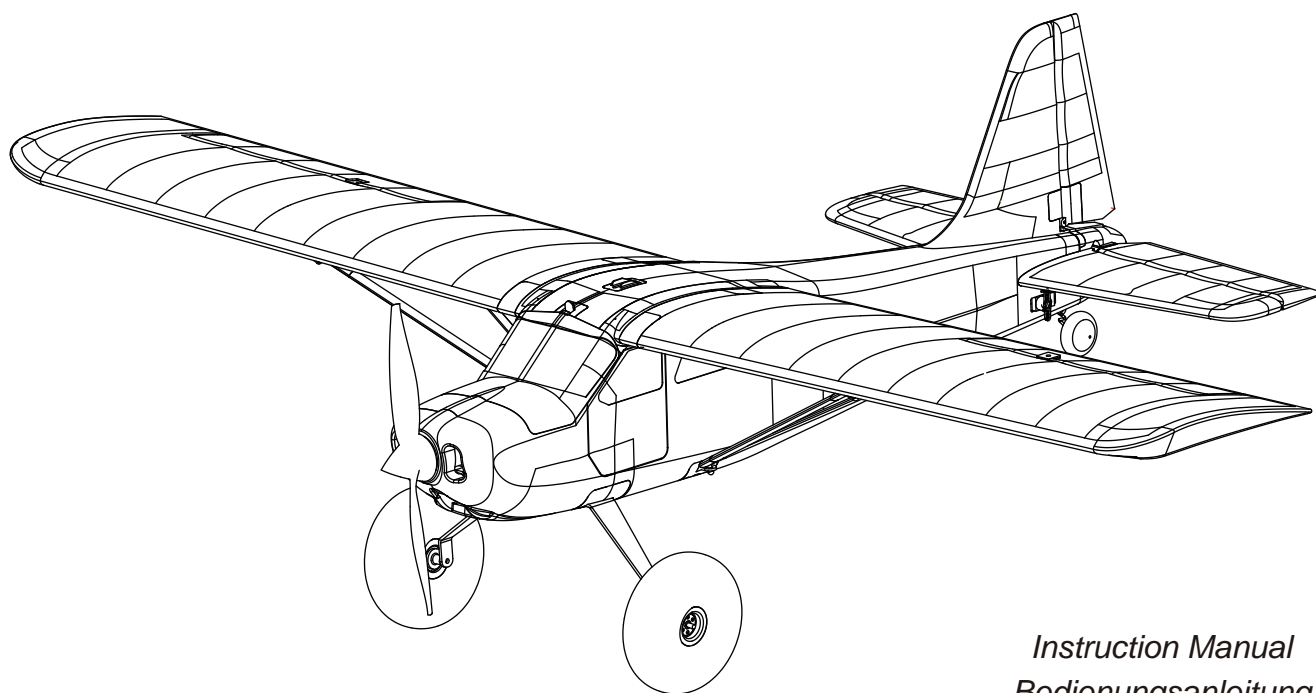




1400mm

Kingfisher



Instruction Manual
Bedienungsanleitung
Manuel d'utilisation
操作手册

MULTIPURPOSE
• Three Sets of Landing Gear

RIGID
• STRONG DURABLE EPO

STABLE
• SMOOTH FLYING PERFORMANCE

FMSMODEL.COM

WARNING

WARNING: Read the ENTIRE instruction manual to become familiar with the features of the product before operating. Failure to operate the product correctly can result in damage to the product, personal property and cause serious injury.

This is a sophisticated hobby product and NOT a toy. It must be operated with caution and common sense and failure to do so could result in injury or damage to the product or other property. This product is not intended for use by children without direct adult supervision.

This manual contains instructions for safety operation and maintenance. It is essential to read and follow all the instructions and warnings in the manual prior to assembly, setup or use, in order to operate and avoid damage or serious injury.

Safety precautions and warnings

As the user of this product, you are solely responsible for operating in a manner that does not endanger yourself and others or result in damage to the product or the property of others. This model is controlled by a radio signal subject to interference from many sources outside your control. This interference can cause momentary loss of control so it is advisable to always keep a safe distance in all directions around your model, as this margin will help avoid collisions or injury.

Age Recommendation: Not for children under 14 years. This is not a toy.

- Never operate your model with low transmitter batteries.
- Always operate your model in an open area away from cars, traffic or people.
- Avoid operating your model in the street where injury or damage can occur.
- Never operate the model in populated areas for any reason.
- Carefully follow the directions and warnings for this and any optional support equipment you use (chargers, rechargeable battery packs, etc.)
- Keep all chemicals, small parts and anything electrical out of the reach of children.
- Moisture causes damage to electronics. Avoid water exposure to all equipment not specifically designed and protected for this purpose.
- Never lick or any place of any your model in your mouth as it could cause serious injury or even death.

Safety**Lithium Polymer (Li-Po) Battery Warning**

CAUTION: Always follow the manufacturer's instructions for safe use and disposal of batteries. Fire, property damage, or serious injury can result from the mishandling of Li-Po batteries.

- By handling, charging or using a Li-Po Battery you assume all risks associated with lithium batteries.
 - If at any time the batteries begin to swell or balloon, discontinue use immediately!
 - Always store the batteries at room temperature in a dry area to extend the life of the battery. Always transport or temporarily store the battery in a temperature range of 40-120F. Do not store the battery or model in a car or in direct sunlight. If stored in a hot car, the battery can be damaged or even catch fire.
 - Never use a Ni-Mh Charger to charge Li-Po Batteries. Failure to charge the battery with a Li-Po compatible charger may cause fire resulting in personal injury and property damage.
 - Never discharge Li-Po Cells below 3V.
 - Never leave charging batteries unattended.
 - Never charge damaged batteries.
- Charging the Flight Battery Warning**
- Use a battery charger that is designed to safely charge the Li-Po Battery. Read the charger instructions carefully before use. When charging the battery, make certain the battery is on a heat resistant surface. It is also highly recommended to place the Li-Po Battery inside a fire resistant charging bag readily available at hobby shops or online.

Introduction

Following the successful debut of Super EZ V2, FMS is thrilled to announce the release of a brand new multi-role trainer --- The FMS 1400mm Kingfisher!

With simple assembly, ease of control and stability in performance, the Kingfisher is perfect for beginners. With the beginner pilot in mind, FMS's Kingfisher is the ultimate user-friendly plane! Assembly is easy with a super convenient bolt-type structure used on the wings, stabilizers, battery cover, and supporting struts. Minimal usage of screws ensure that the beginner pilot completes assembly quickly and safely. Less assembly time = more flying time!

With three sets of landing gears included, the Kingfisher can handle any landing environment! Oversize wheel set for grass fields and gravel roads, float set for water landings and skis for snow and ice landings. The Kingfisher is easily upgradable with optional electric towing hook for banners and gliders. FPV equipment bay ready!

Key Features:

- High quality Predator 40A ESC, 3536-KV850 motor, recommended 11.1V 2200mAh 35C battery.
- Three sets of landing gear, with oversize wheels, floats, skis for any landing environment.
- FPV and Towing capable!
- Bolt-together construction! Easy to build!
- 10-15 mins fly time (based on a fully-charged recommended battery).
- Strong Durable EPO material.
- The finest multi-role trainer in the market.

Table of contents

Introduction3

Kit contents3

Model assembly4

Battery installation9

Receiver wiring diagram10

Get your model ready to fly.....10

Clevis installation12

Control horn and servo arm Settings12

Center of Gravity(CG) 12

Before flying the model13

Flying course13

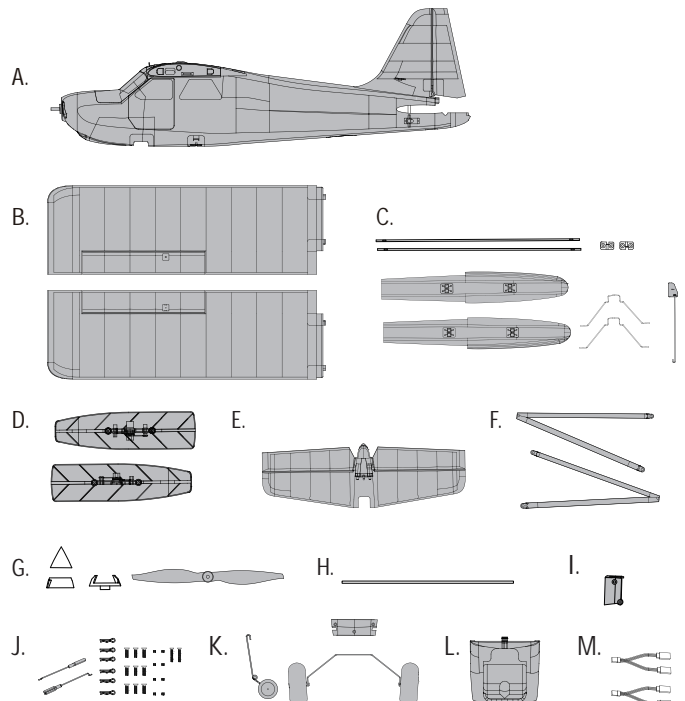
Troubleshooting14

Spare parts list content.....14

Kit contents

Before assembly, please inspect the contents of the kit. The photo below details the contents of the kit with labels. If any parts are missing or defective, please identify the name or part number (refer to the spare parts list near the end of the manual) then contact your local shop or email us: support@fmsmodel.com.

Specifications
Wingspan: 1400mm(55.1in)
Overall length: 915mm(36in)
Flying weight: ~ 1400g(49.4oz)
Motor size: 3536-KV850
Wing load: 48.1g/dm²(0.11oz/in²)
Wing area: 29.1dm²(451.05sq.in)
Prop size: 11*7
ESC: 40A
Servo: 9g Servo x 6
Recommended battery: 11.1V 2200mAh 35C

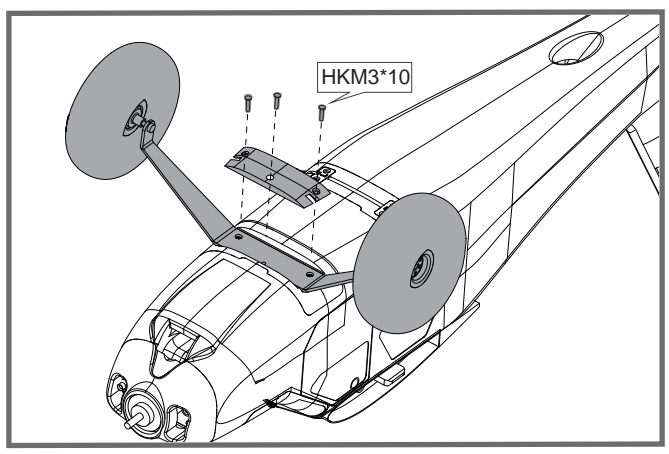


- | | | |
|--------------------------|-------------------------------------|---------------------|
| A: Fuselage | F: Supporting struts | K: Landing gear set |
| B: Main wing set | G: Propeller and spinner set | L: FPV base |
| C: Float set | H: Wing tube | M: Y-harness |
| D: Ski set | I: Control horn | |
| E: Horizontal stabilizer | J: Linkage rods, screws and R clasp | |

Model assembly

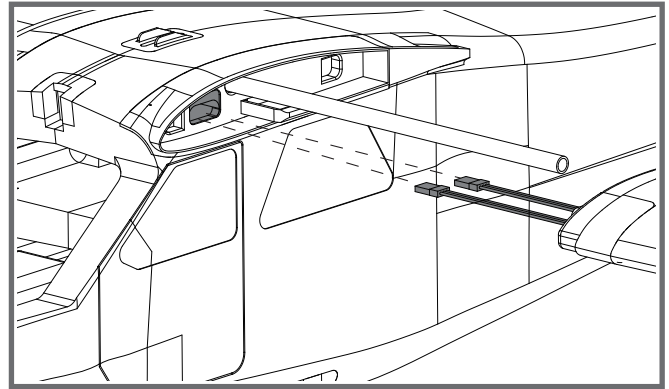
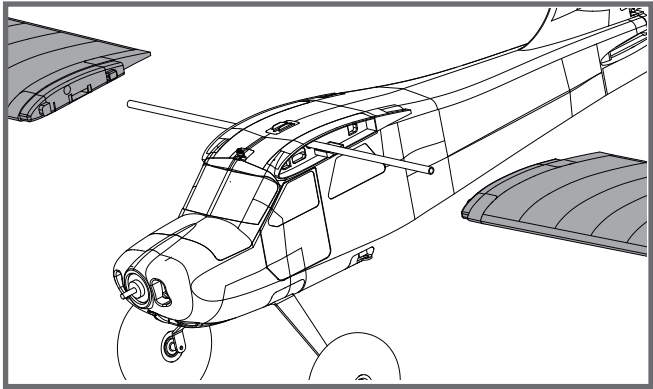
Landing gear set installation

1. With the fuselage inverted, carefully install the landing gear set to the fuselage with the included landing gear insert and screws as shown.



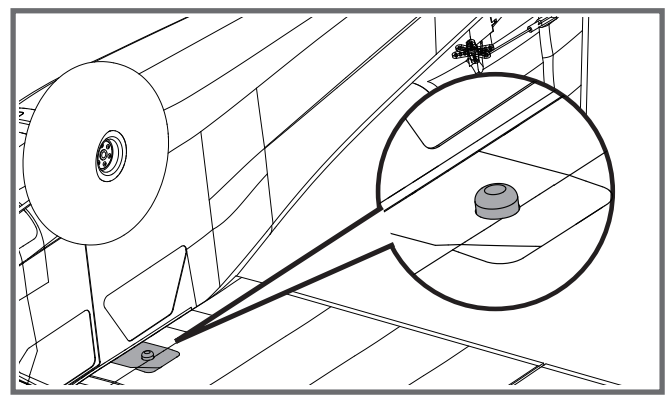
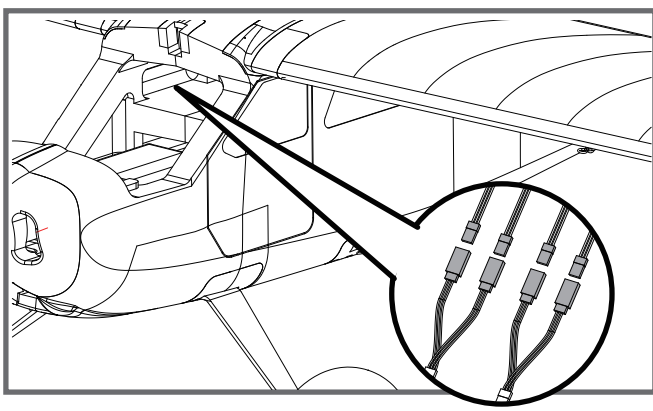
Main wing installation

- 1. Slide the tube into the fuselage.
- 2. Guide the aileron servo lead and flap servo lead through the hole. Install both wings over the wing tube and into the wing slot of the fuselage.



- 3. Remove the battery cover. Connect the aileron and flap servo leads to their respective Y-harnesses, then connect the Y harnesses to the receiver. Secure the receiver into the fuselage.
- 4. Secure the wings onto the fuselage using the bolt-type lock.

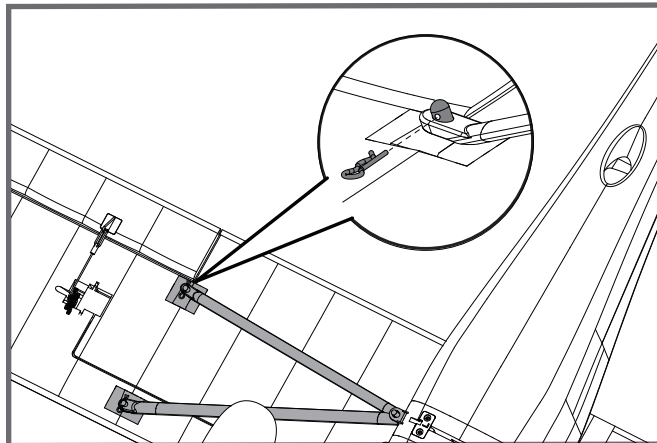
Note: The wings are successfully secured when you hear a snap. Disassemble in reverse order.



Model assembly

Supporting bar installation

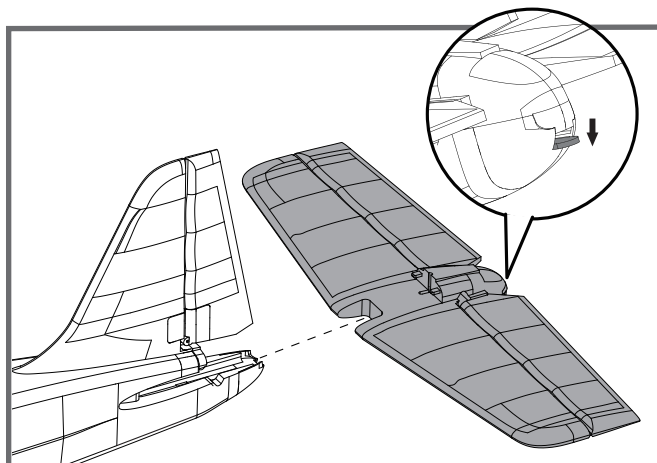
1. Lock the supporting bar and secure it with R clip as shown.



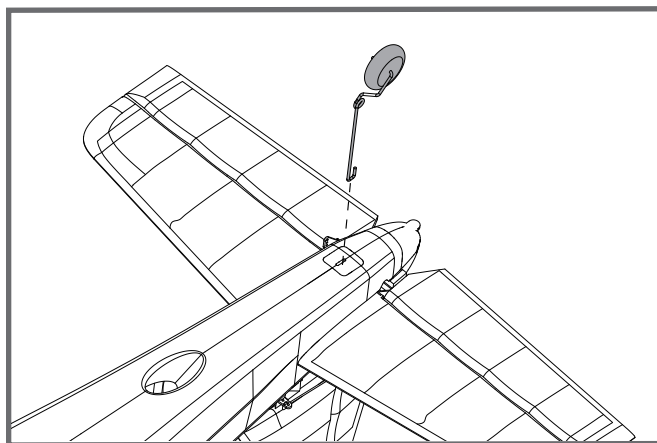
Horizontal stabilizer

1. Slide the horizontal stabilizer in the rear of the fuselage. Ensure the control horn faces down as shown. Secure the horizontal stabilizer using bolt-type lock.

Note: Toggle the bolt-type lock from top to bottom. The horizontal stabilizer is successfully secured when you hear a snap.

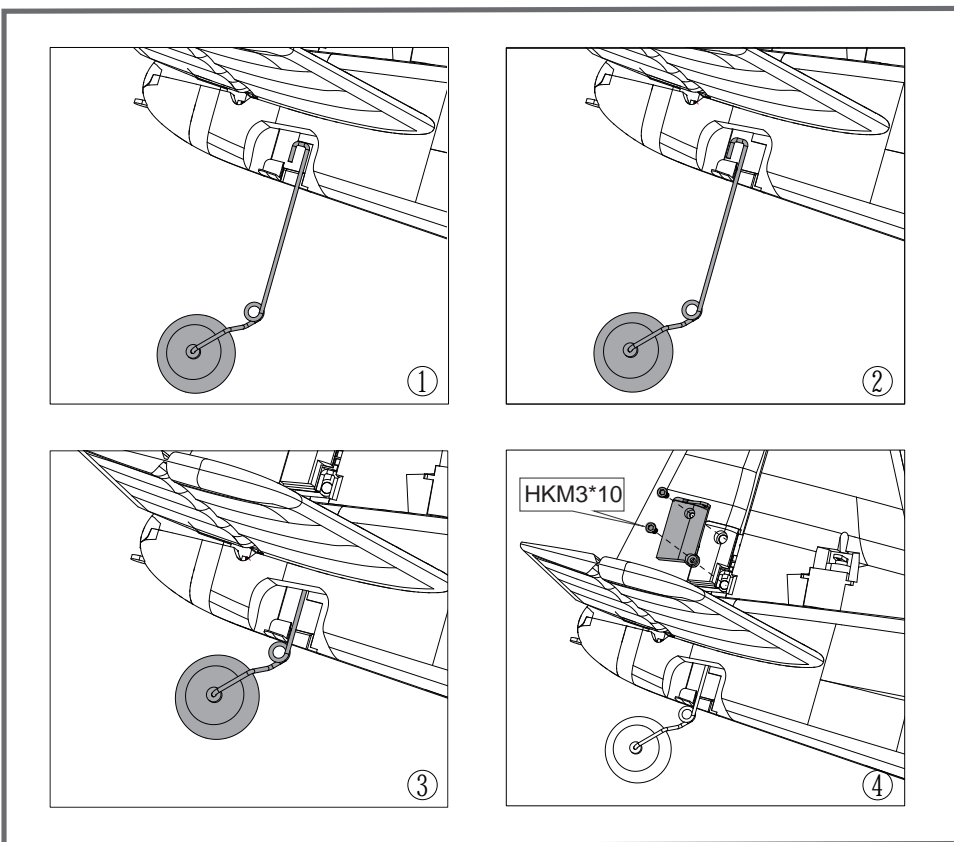


2. Install the tail wheel set in place as shown. Secure the tail wheel set in place using the included screws and control horn.



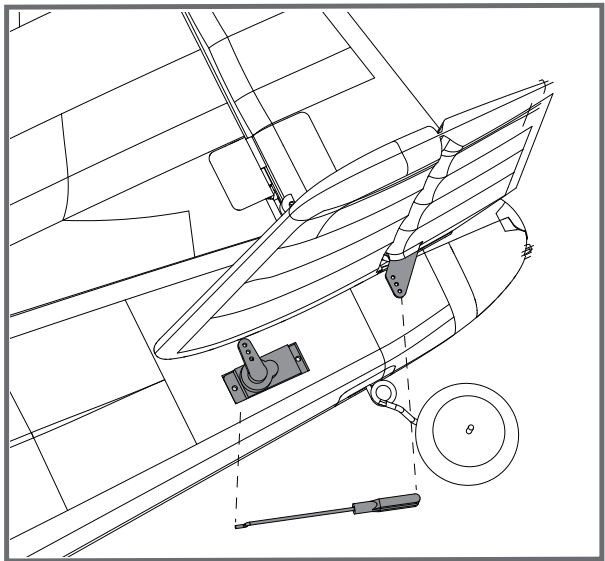
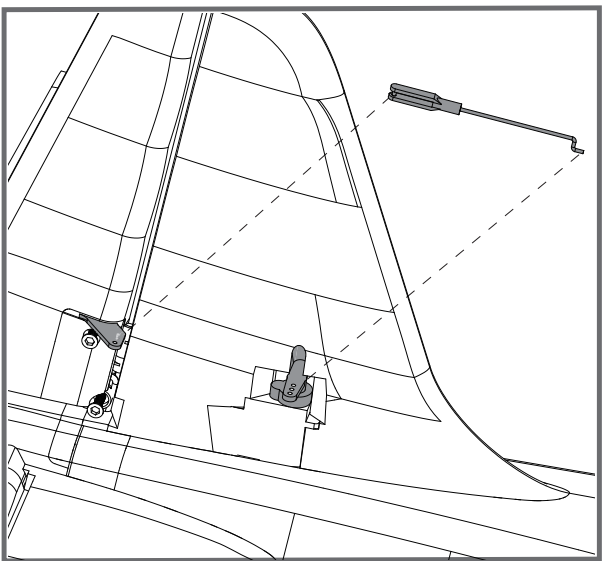
Model assembly

Tips: Push the landing gear strut up, then towards to tail of the aircraft and then up again until it fits snugly into the plastic component on. Secure the tail wheel set in place using the included screws and control horn.



3. Install the linkage rods as shown.

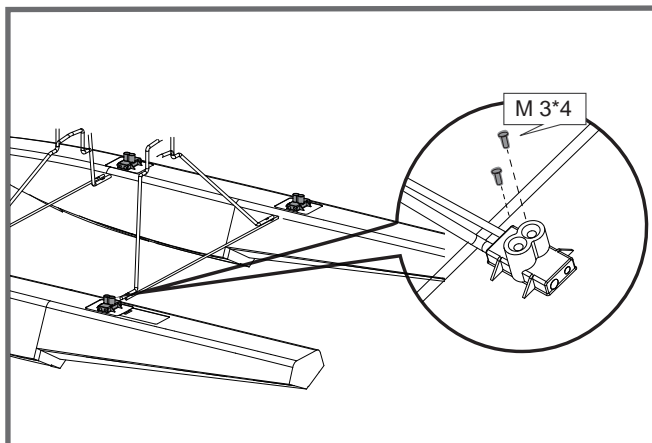
Note: Please refer to the control horn and servo arm settings in page 12.



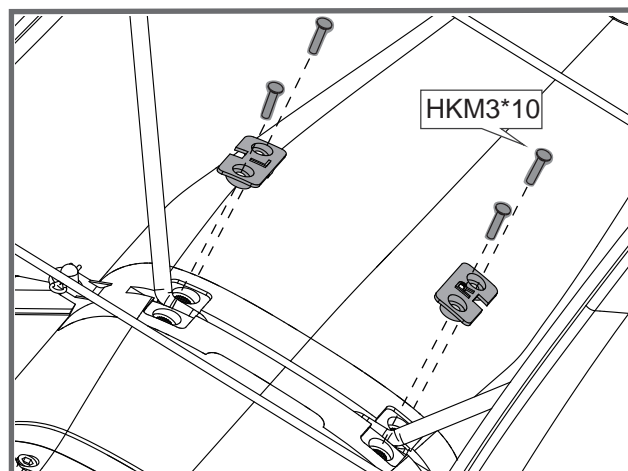
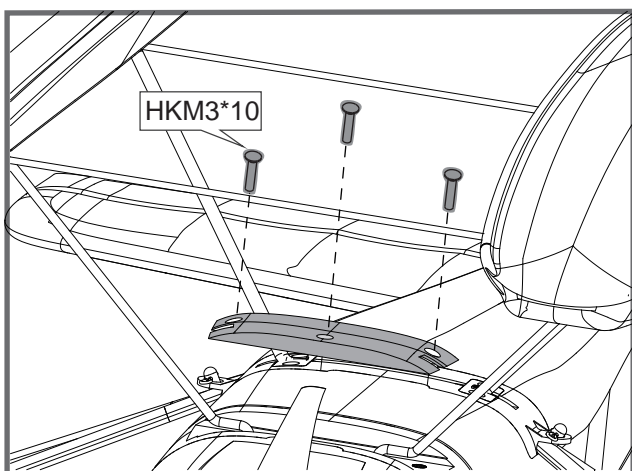
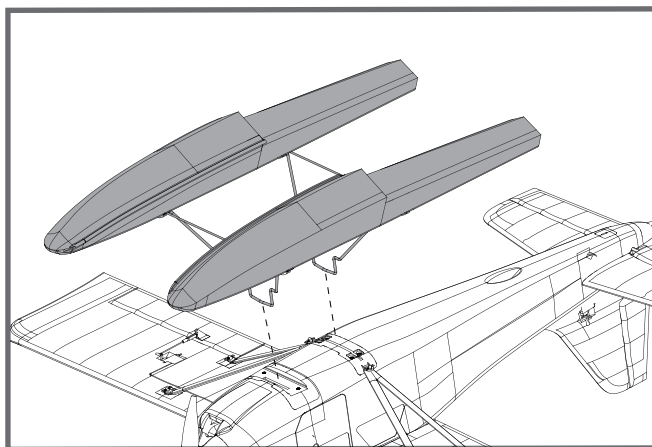
Model assembly

Float set installation

1. Assemble the float struts to the plastic holder as shown and secure the struts with screws.



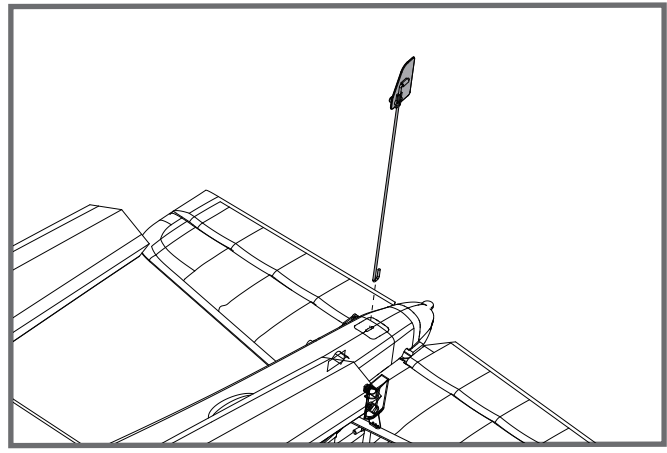
2. Secure the float set onto the bottom of the fuselage using the included plastic parts and screws as shown.



Model assembly

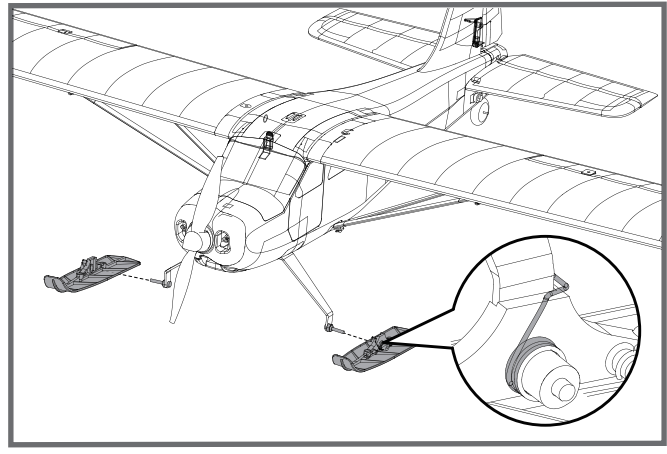
3. Secure the float rudder in place using the included screws.

Note: Please refer to tail wheel installation.



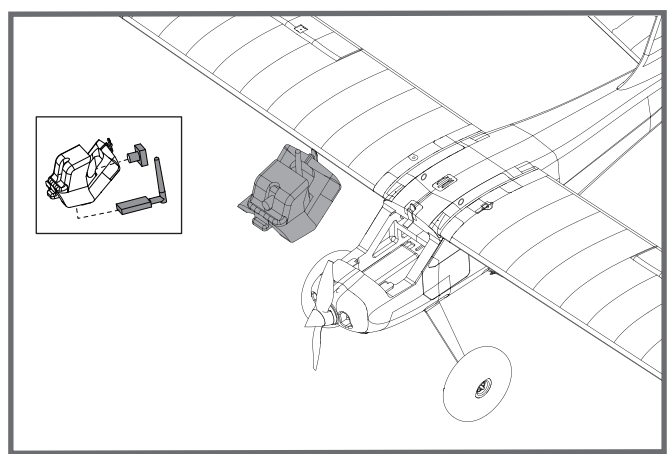
Ski Installation

- 1. Remove the wheels .
- 2. Secure the skis in place with springs and screws (HKM3*20) as shown.



FPV mount

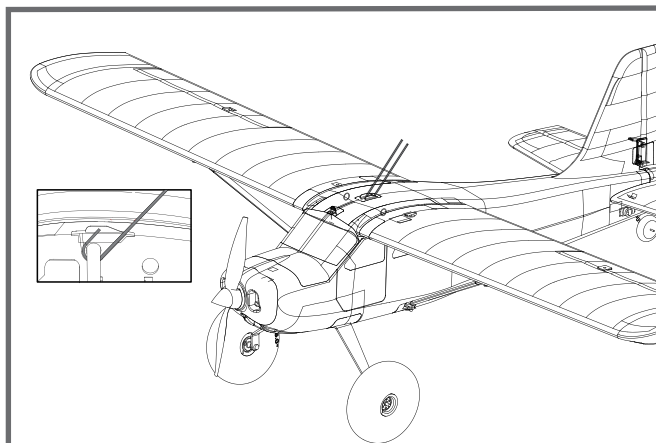
- 1. Remove the battery cover.
- 2. Assemble your FPV equipment on the reserved FPV base using hook tape or cable.



Model assembly

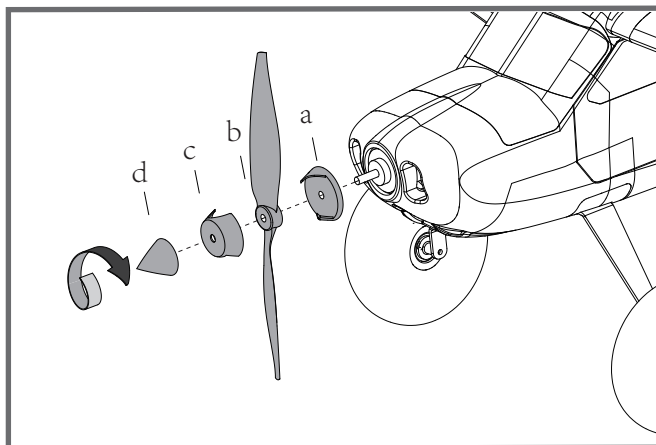
Tow release mechanism

1. Lead the towing cable through the main wing tube as shown for towing banners and gliders.



Propeller installation

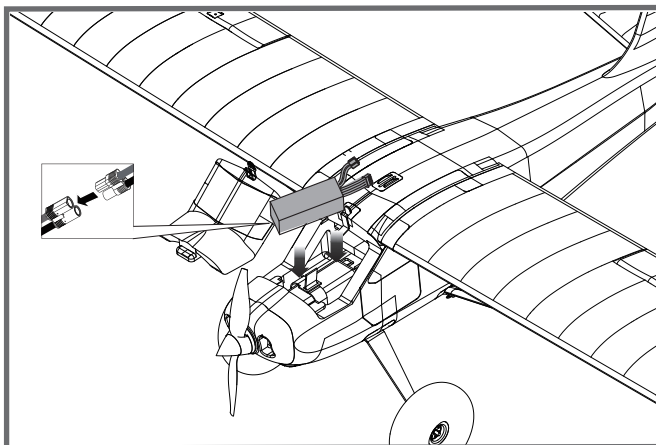
1. Assemble the spinner and propeller as shown below.



Battery installation

1. Apply hook tape to the cable end of the battery.
2. Slide the battery into the battery hatch with the power supply cable toward the rear of the plane and the hook tape facing the bottom of the battery hatch.

Note: You may need to relocate the battery position to achieve the correct CG for your model.



Receiver wiring diagram

The cables from the servo connector board should be connected to your receiver in the order shown. Note that the rudder channel controls both the steering servo and the rudder surface. The LEDs can be powered by any spare channel on the receiver. Tuck the wire leads into the recessed cavity towards the rear of the battery hatch.

		Receiver
Aileron	1	Channel-1 — Aile
Elevator	2	Channel-2 — Elev
Throttle	3	Channel-3 — Thro
Rudder	4	Channel-4 — Rudd
Gear	5	Channel-5 — Gear
Spare		Channel — Flap

Get your model ready to fly

Important ESC and model information

1. The ESC included with the model has a safe start. If the motor battery is connected to the ESC and the throttle stick is not in the low throttle or off position, the motor will not start until the throttle stick is moved to the low throttle or off position. Once the throttle stick is moved to the low throttle or off position, the motor will emit a series of beeps. Several beeps with the same tune means the ESC has detected the cells of the battery. The count of the beeps equals the cells of the battery. The motor is now armed and will start when the throttle is moved.
2. The motor and ESC come pre-connected and the motor rotation should be correct. If for any reason the motor is rotating in the wrong direction, simply reverse two of the three motor wires to change the direction of rotation.
3. The motor has an optional brake setting. The ESC comes with brake switched off and we recommend that the model be flown with the brake off. However, the brake could be accidentally switched on if the motor battery is connected to the ESC while the throttle stick is set at full throttle. To switch the brake off, move the throttle stick to full throttle and plug in the motor battery. The motor will beep one time. Move the throttle stick to low throttle or the off position. The motor is ready to run and the brake will be switched off.
4. Battery election and Installation. We recommend the 11.1V 2200mAh 35C Li-Po battery. If using another battery, the battery must be at least a 11.1V 2200mAh 35C battery. Your battery should be approximately the same capacity, dimension and weight as the 11.1V 2200mAh 35C Li-Po battery to fit the fuselage without changing the center of gravity significantly.

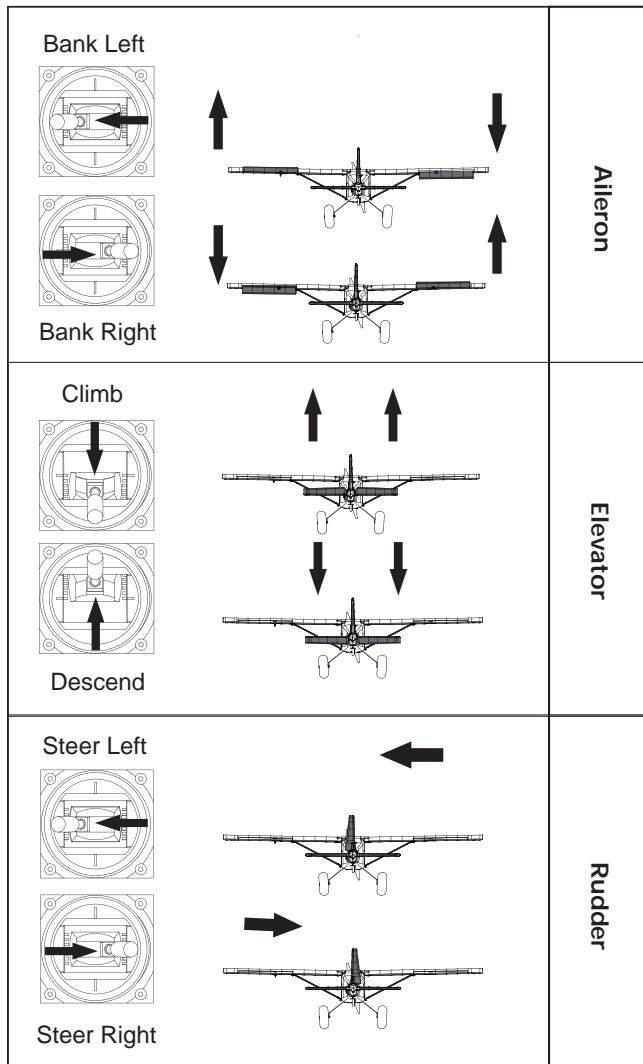
Transmitter and model setup

Before getting started, bind your receiver with your transmitter.

Please refer to your Transmitter Manual for proper operation.
CAUTION: To prevent personal injury, DO NOT arm the ESC and do not turn on the transmitter until the Transmitter Manual instructs you to do so.

Tips: Make sure all control sticks on your radio are in the neutral position (rudder, elevator, ailerons) and the throttle is in the OFF position. Make sure both ailerons move up and down (travel) the same amount. This model tracks well when the left and right ailerons travel the same amount in response to the control stick.

Move the controls on the transmitter to make sure the aircraft control surface moves correctly. See diagrams right.



Check the control throws

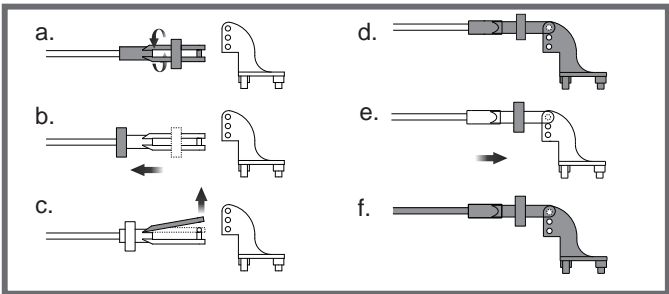
The suggested control throw setting for the Kingfisher are as follows (dual rate setting):

Tips: On first flight, fly the model in low rate. The first time you use high rates, be sure to fly at low to medium speeds. High rate, as listed, is only for EXTREME maneuvering.

	High Rate	Low Rate
Elevator	12mm up / down	10mm up / down
Aileron	14mm up / down	10mm up / down
Rudder	16mm left / right	12mm left / right

Clevis installation

1. Pull the tube from the clevis to the linkage.
2. Carefully spread the clevis, then insert the clevis pin into the desired hole in the control horn.
3. Move the tube to hold the clevis on the control horn.



Control horn and servo arm settings

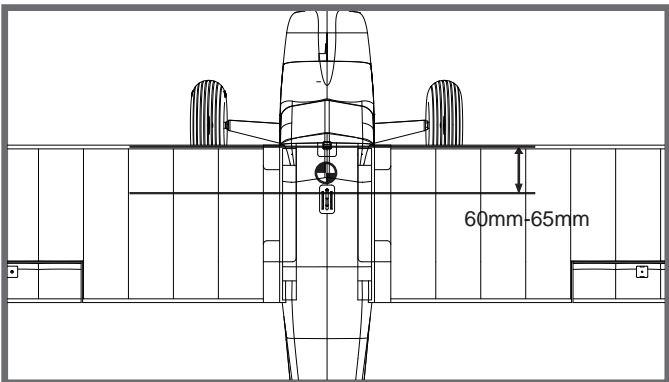
The table shows the factory settings for the control horns and servo arms. Fly the aircraft at the factory settings before making changes. After flying, you may choose to adjust the linkage positions for the desired control response.

	Horns	Arms	More control throw
Elevator			
Rudder			
Ailerons			

Check the C.G. (Center of gravity)

When balancing your model, adjust the battery as necessary so the model is level or slightly nose down. This is the correct balance point for your model. After the first flights, the CG position can be adjusted for your personal preference.

1. The recommended Center of Gravity (CG) location for your model is (60-65mm) from the leading edge of the main wing (as shown) with the battery pack installed. Mark the location of the CG on top of the wing.
2. When balancing your model, support the plane at the marks made on the bottom of the main wing with your fingers or a commercially available balancing stand. This is the correct balance point for your model. Make sure the model is assembled and ready for flight before balancing.



Before flying the model

Find a suitable flying site

Find a flying site clear of buildings, trees, power lines and other obstructions. Until you know how much area will be required and have mastered flying your plane in confined spaces, choose a site which is at least the size of two to three football fields - a flying field specifically for R/C planes is best. Never fly near people - especially children, who can wander unpredictably.

Perform the range check for your plane

As a precaution, an operational ground range test should be performed before the first flight each time you go out. Performing a range test is a good way to detect problems that could cause loss of control such as low batteries, defective or damaged radio components, or radio interference. This usually requires an assistant and should be done at the actual flying site you will be using.

First turn on the transmitter, then install a fully-charged battery into the fuselage. Connect the battery and install the hatch.

Remember, use care not to bump the throttle stick. Otherwise, the propeller/fan will turn and possibly cause damage or injury.

Note: Please refer to your Transmitter Manual that came with your radio control system to perform a ground range check. If the controls are not working correctly or if anything seems wrong, do not fly the model until you correct the problem. Make certain all the servo wires are securely connected to the receiver and the transmitter batteries have a good connection.

Monitor your flight time

Monitor and limit your flight time using a timer (such as on a wristwatch or in your transmitter if available). When the batteries are getting low you will usually notice a performance drop before the ESC cuts off motor power, so when the plane starts flying slower you should land. Often (but not always) power can be briefly restored after the motor cuts off by holding the throttle stick all the way down for a few seconds. To avoid an unexpected dead-stick landing on your first flight, set your timer to a conservative 4 minutes. When your alarm sounds you should land right away.

Flying course

Take off

While applying power, slowly steer to keep the model straight. The model should accelerate quickly. As the model gains flight speed you will want to climb at a steady and even rate. It will climb out at a nice angle of attack (AOA).

Flying

Always choose a wide-open space for flying your plane. It is ideal for you to fly at a sanctioned flying field. If you are not flying at an approved site always avoid flying near houses, trees, wires and buildings. You should also be careful to avoid flying in areas where there are many people, such as busy parks, schoolyards, or soccer fields. Consult laws and ordinances before choosing a location to fly your aircraft. After takeoff, gain some altitude. Climb to a safe height before trying technical manoeuvres, including high speed passes, inverted flight, loops, and point rolls.

Landing

Land the model when you hear the motor pulsing (LVC) or if you notice a reduction in power. If using a transmitter with a timer, set the timer so you have enough flight time to make several landing approaches.

The model's three point landing gear allows the model to land on hard surfaces. Align model directly into the wind and fly down to the ground. Fly the airplane down to the ground using 1/4-1/3 throttle to keep enough energy for proper flare. Before the model touches down, always fully decrease the throttle to avoid damaging the propeller or other components. The key to a great landing is to manage the power and elevator all the way to the ground and set down lightly on the main landing gear. After a few flights you will find the model can be set down lightly on the mains and you can hold the nose wheel off balancing the model on the mains until it slows and gently settles the nose.

Maintenance

Repairs to the foam should be made with foam safe adhesives such as hot glue, foam safe CA, and 5min epoxy. When parts are not repairable, see the Spare Parts List for ordering by item number.

Always check to make sure all screws on the aircraft are tightened. Pay special attention to make sure the spinner is firmly in place before every flight.

Trouble shooting

Problem	Possible Cause	Solution
Aircraft will not respond to the throttlebut responds to other controls.	-ESC is not armed. -Throttle channel is reversed.	-Lower throttle stick and throttle trim to lowest settings. -Reverse throttle channel on transmitter.
Extra propeller noise or extravibration.	-Damaged spinner,propeller, motor or motor mount. -Loose propeller and spinner parts. -Propellor installed backwards.	-Replace damaged parts. -Tighten parts for propeller adapter,propeller and spinner. -Remove and install propeller correctly.
Reduced flight time or aircraft underpowered.	-Flight battery charge is low. -propeller installed backward. -Flight battery damaged.	-Completely recharge flight battery. -Replace flight battery and follow flight battery instructions.
Control surface does not move,or is slow to respond to control inputs.	-Control surface,control horn, linkage or servo damage. -Wire damaged or connections loose.	-Replace or repair damaged parts and adjust controls. -Do a check of connections for loose wiring.
Controls reversed.	Channels are reversed in the transmitter.	Do the Control Direction Test and adjust controls for aircraft and transmitter.
-Motor loses power -Motor power pulses then motor loses power.	-Damage to motor,or battery. -Loss of power to aircraft. -ESC uses default soft Low Voltage Cutoff(LVC).	-Do a check of batteries,transmitter,receiver,ESC,motor and wiring for damage(replace as needed). -Land aircraft immediately and recharge flight battery.
LED on receiver flashes slowly.	Power loss to receiver.	-Check connection from ESC to receiver. -Check servos for damage. -Check linkages for binding.

Spare parts list content

FMSRG101	Fuselage	FMSRG116	Landing gear insert
FMSRG102	Main wing set	FMSRG117	Tire set
FMSRG103	Horizontal stabilizer	FMSRG118	Float rudder (plastic)
FMSRG104	Cowl	FMSRG119	Ski
FMSRG105	Battery cover	FMSRG120	FPV base (wood)
FMSRG106	Spinner	FMSFLT005	Float set
FMSRG107	R clip	FMSPROP021	Propeller
FMSRG108	Sticker	FMSDJ009	Motor mount
FMSRG109	Linkage rods	FMSDZ006	Motor shaft
FMSRG110	Screws	FMSBM031	Motor board
FMSRG111	Pipe	PRKV850	3536-KV850
FMSRG112	Control horns	PRESC001	40A ESC
FMSRG113	Supporting struts	FMSER9GPW	9g servo
FMSRG114	Front landing gear set	FMSCHR01	Charger
FMSRG115	Rear landing gear set		

Visit our website: www.fmsmodel.com to see photo of this product. Enter the key word "ESC" in the search bar for the stock ESC instruction manual.



MADE IN CHINA