

### Features

- One-piece, self-contained ceramic disc valve allows both volume and temperature control.
- Temperature memory allows faucet to be turned on and off at any temperature setting.
- Pop-up drain with lift rod and tailpiece.
- Stationary spout.
- Single-hole mounting.
- 5" (127 mm) spout reach.
- Includes a 6" (152 mm) escutcheon plate for three-hole bathroom sinks.
- 1.5 gal/min (5.7 l/min) maximum flow rate [max at 60 psi (4.14 bar)].

### Material

- Metal construction.



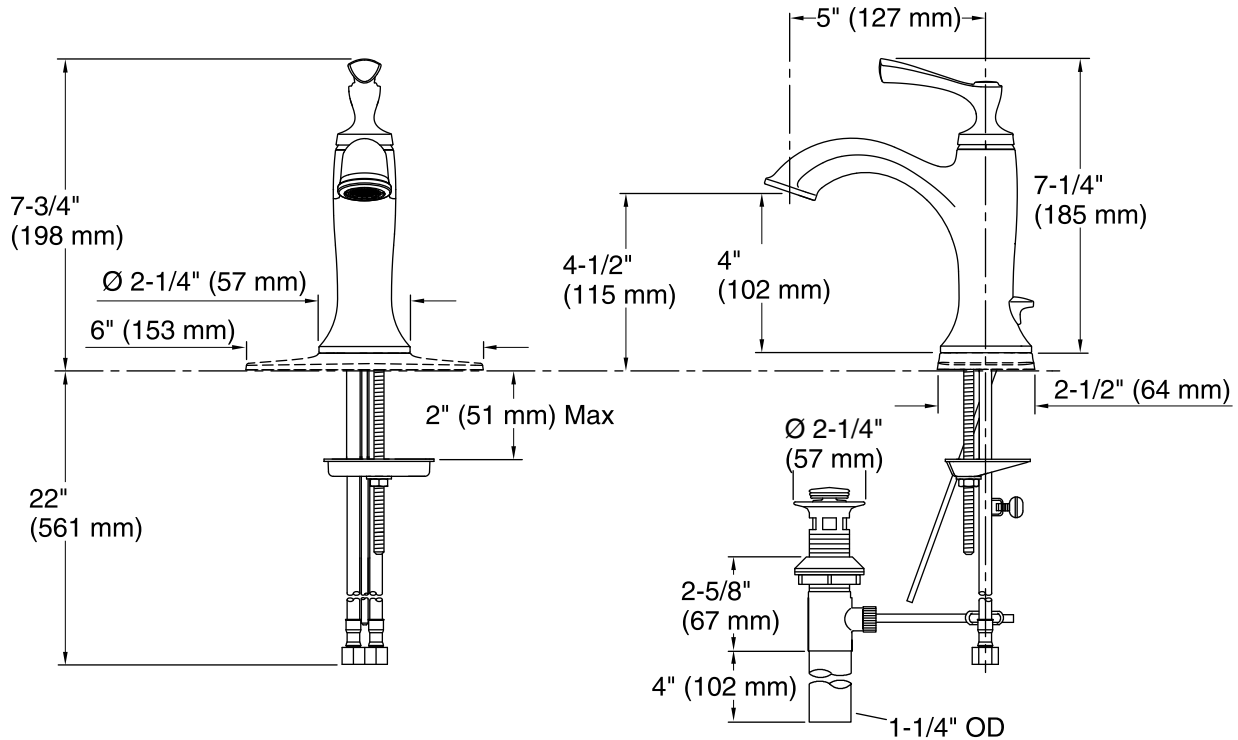
ADA

### Codes/Standards

ASME A112.18.1/CSA B125.1  
NSF/ANSI 61  
NSF/ANSI 372  
EPA WaterSense®  
ADA  
ICC/ANSI A117.1

### KOHLER® Faucet Lifetime Limited Warranty

See website for detailed warranty information.



Pop-Up Drain

### Technical Information

All product dimensions are nominal.

#### Faucet:

Flow rate: 1.5 gal/min (5.7 l/min)

Pressure: 60 psi (4.1 bar)

Drain included: YES

Drain tailpiece included: YES

#### Spout:

Spout reach: 5" (127 mm)

### Notes

Install this product according to the installation guide.

ADA compliant when installed to the specific requirements of these regulations.