

## Features

- Metal construction.
- Brass valve bodies.
- Quarter-turn washerless ceramic disc valves.
- 9-3/8" (238 mm) swing spout reach.
- Lower flow aerator options are available (refer to the Kohler Price Book).
- 2.2 gal/min (8.3 l/min) maximum flow rate [max at 60 psi (4.14 bar)].



## Codes/Standards

ASME A112.18.1/CSA B125.1

NSF/ANSI 61

NSF/ANSI 372

All applicable US Federal and State material regulations

DOE - Energy Policy Act 1992

California Energy Commission (CEC)

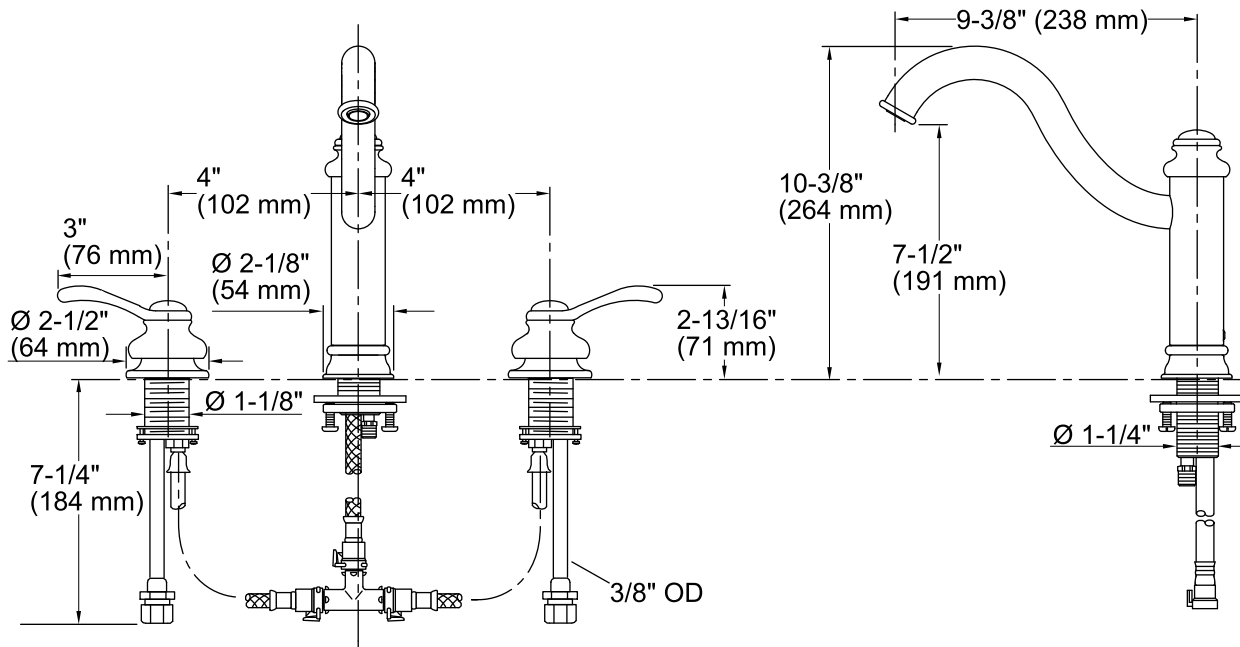
ADA

ICC/ANSI A117.1

CSA B651

## **KOHLER® Faucet Lifetime Limited Warranty**

See website for detailed warranty information.



### Technical Information

All product dimensions are nominal.

#### Faucet:

Flow rate: 2.2 gal/min (8.3 l/min)

Pressure: 60 psi (4.1 bar)

#### Spout:

Spout reach: 9-3/8" (238 mm)

Handle clearance: 3" (76 mm)

### Notes

Install this product according to the installation guide.

ADA, CSA B651 compliant when installed to the specific requirements of these regulations.