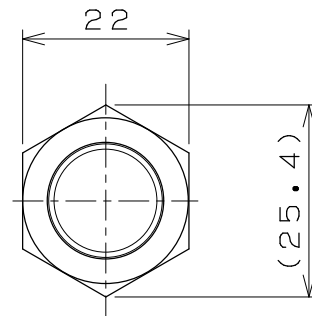
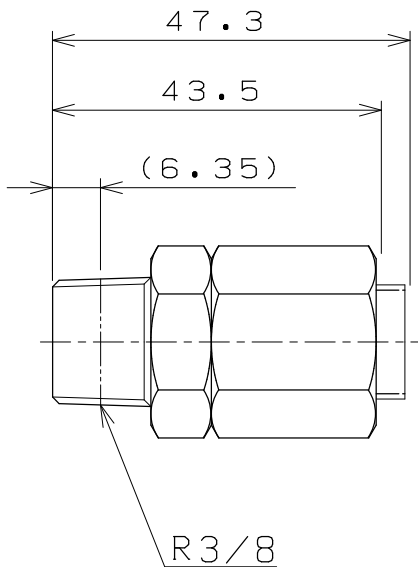


OリングP9

TITLE	KANTOUCH
MODEL	TH8-1/4-BorS



OリングP9

TITLE	KANTOUCH
MODEL	TH8-3/8-BorS

TH8-BorS		RGL JOINT CO., LTD	
DATE	01, 11, 12	A4	1/1