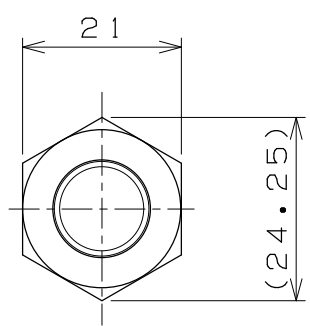
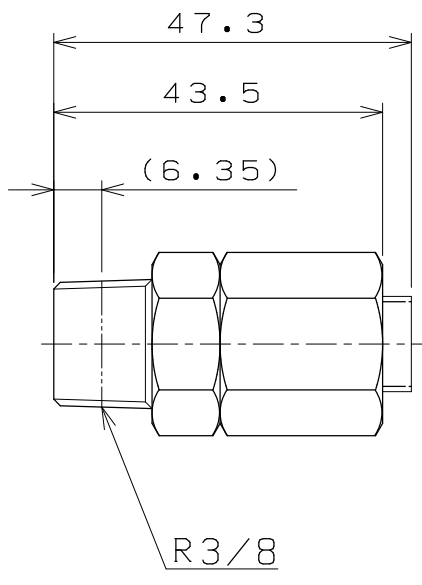


リングP6

TITLE	KANTOUCH
MODEL	TH6-1/4-BorS



リングP6

TITLE	KANTOUCH
MODEL	TH6-3/8-BorS

TH6-BorS		RGL JOINT CO., LTD	
DATE	01, 11, 12	A4	1/1