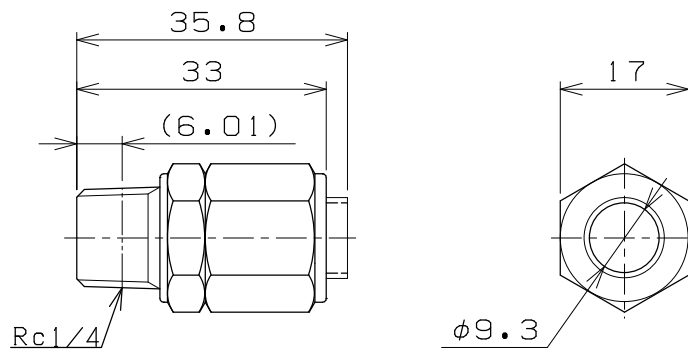


TITLE	KADOMIRESS KANTOUCH
MODEL	TH4-1/8-B-N-R _o



TITLE	KADOMIRESS KANTOUCH
MODEL	TH4-1/4-B-N-R _o

TH4-B-N-R _o	RGL JOINT CO., LTD		
DATE	08, 02, 28	A4	1/1