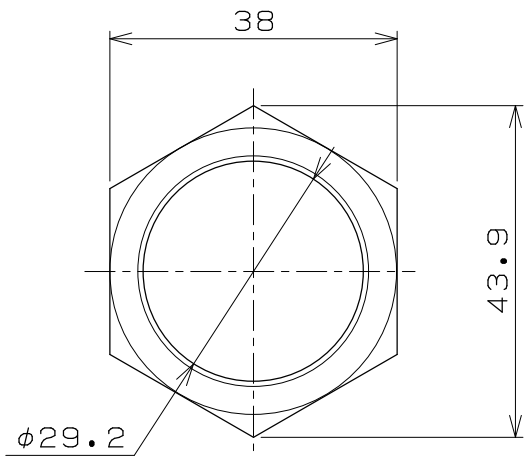
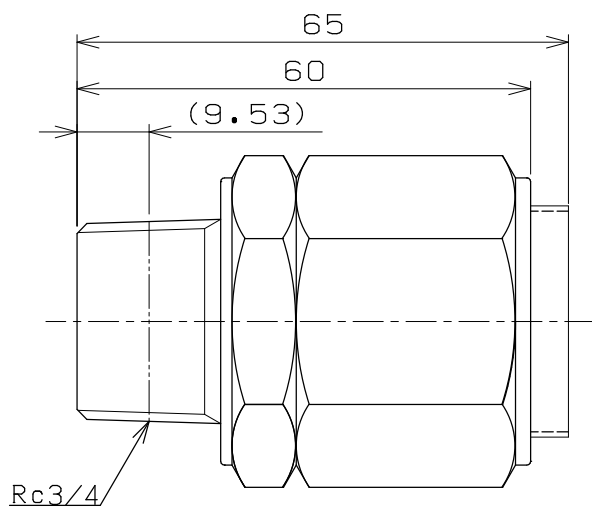
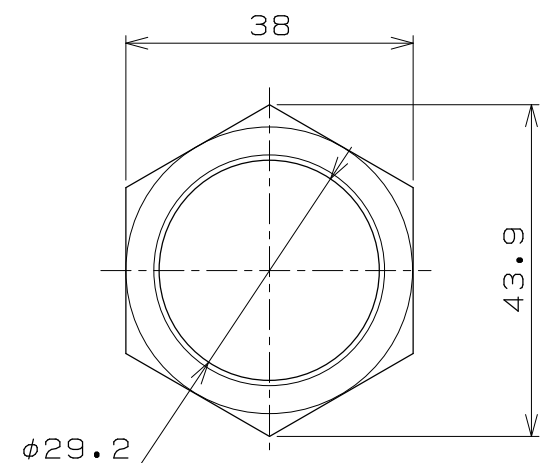
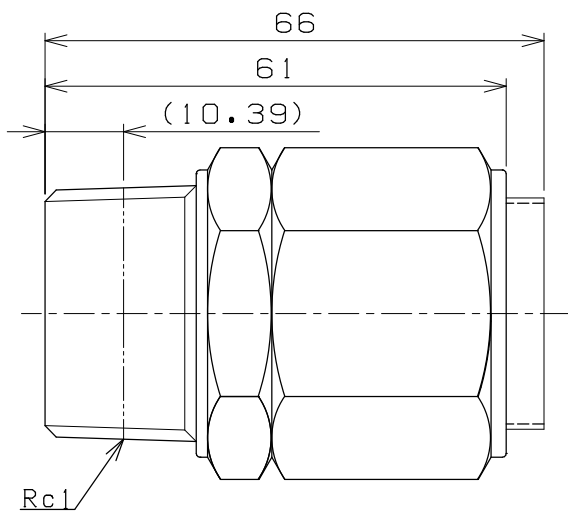


TITLE	KADOMIRESS KANTOUCH
MODEL	TH22-1/2-B-N-Ro



TITLE	KADOMIRESS KANTOUCH
MODEL	TH22-3/4



TITLE	KADOMIRESS KANTOUCH
MODEL	TH22-1-B-N-Ro

TH22-B-N-Ro

RGL JOINT CO., LTD

DATE 08, 02, 29

A4

1/1

RGL JOINT