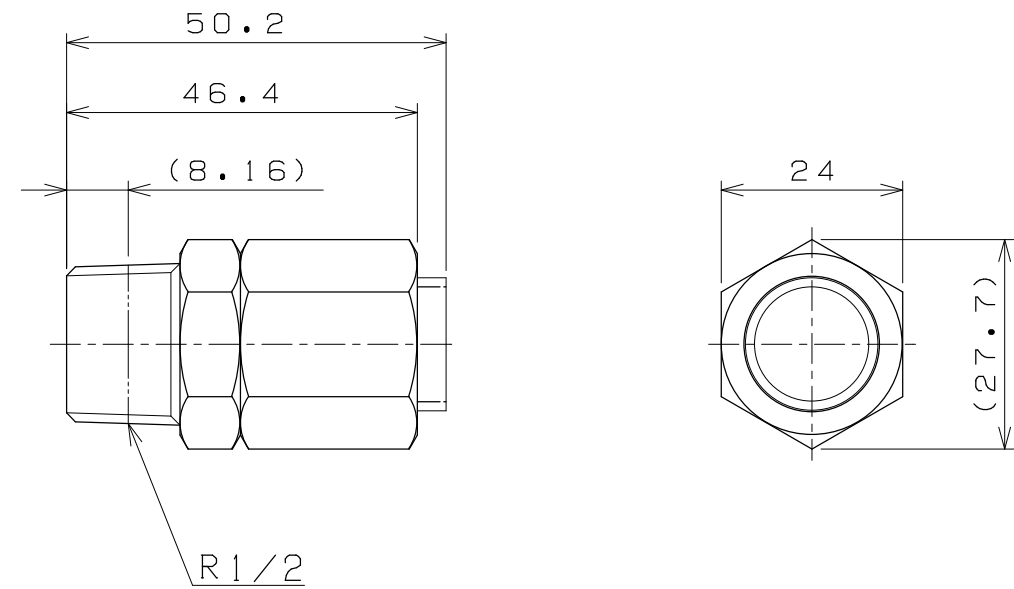


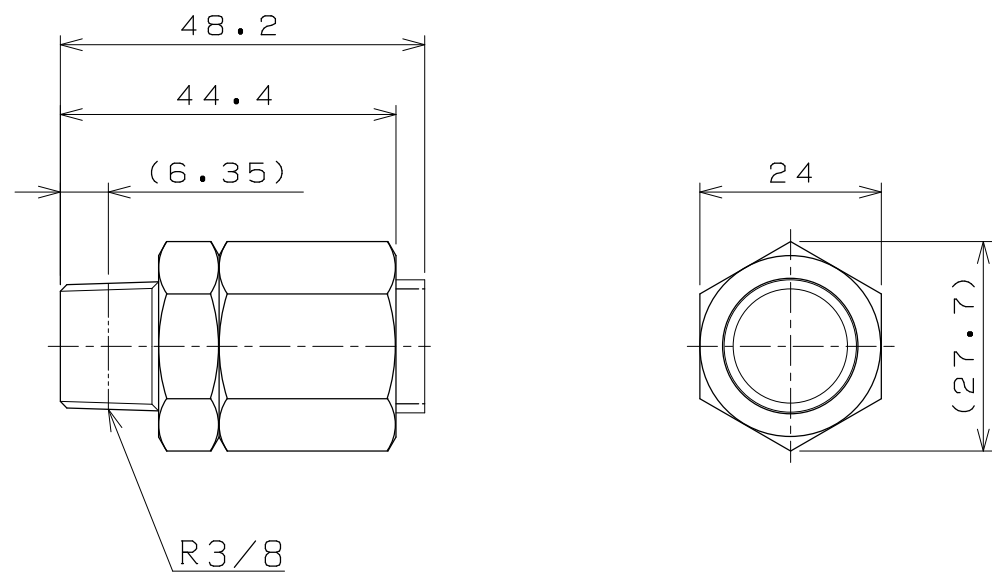
リングP10

TITLE	KANTOUCH
MODEL	TH10-1/4-BorS



リングP10

TITLE	KANTOUCH
MODEL	TH10-1/2-BorS



リングP10

TITLE	KANTOUCH
MODEL	TH10-3/8-BorS

TH10-BorS		RGL JOINT CO., LTD	
DATE	01, 11, 12	A3	1/1