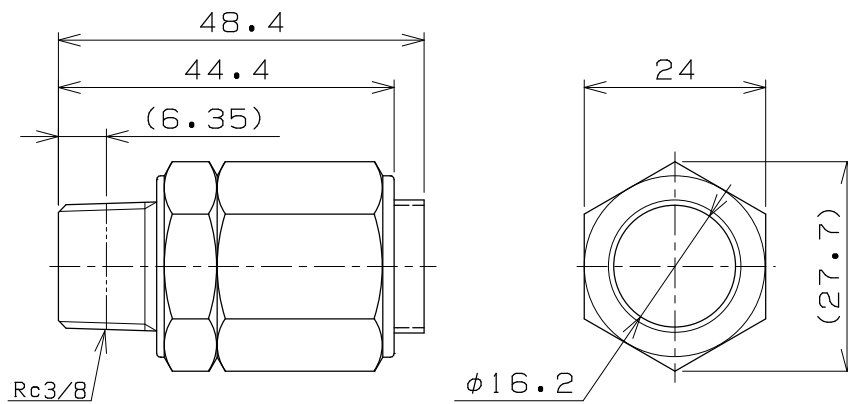
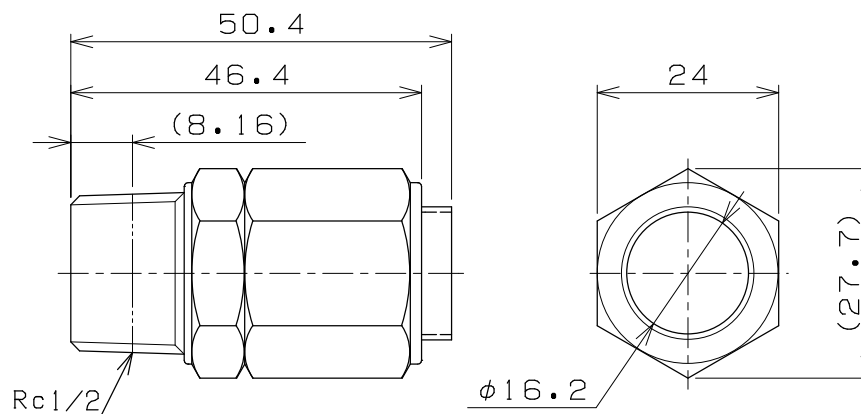


TITLE	KADOMIRESS KANTOUCH
MODEL	TH10-1/4-B-N-Ro



TITLE	KADOMIRESS KANTOUCH
MODEL	TH10-3/8-B-N-Ro



TITLE	KADOMIRESS KANTOUCH
MODEL	TH10-1/2-B-N-Ro

TH10-B-N-Ro	RGL JOINT CO., LTD		
DATE	08, 02, 29	A4	1/1