

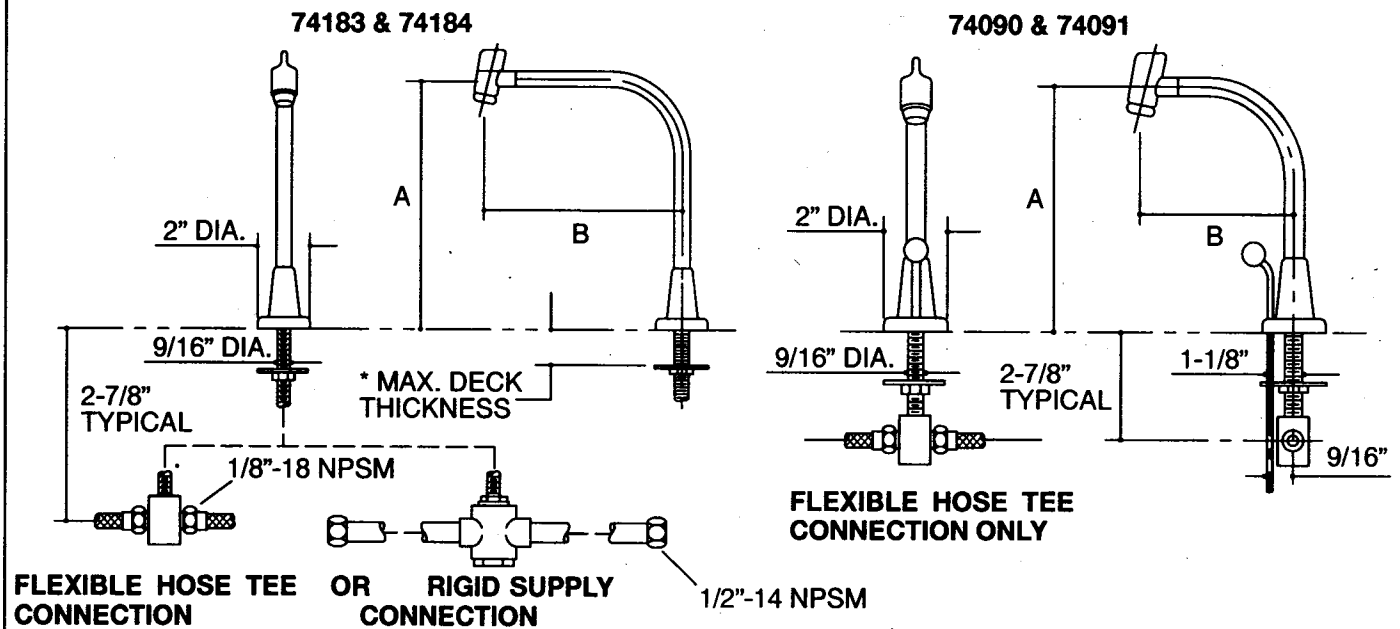
### BEFORE YOU BEGIN

### HOW TO USE THESE INSTRUCTIONS

These instructions contain important installation information. Please leave instructions for the consumer.

**NOTE:** This spout kit provides the instructions for either flexible hose or rigid supply connection. Perform the procedures applicable to your installation.

### ROUGHING-IN DIMENSIONS



SPOUT	A	B
74087	7-3/4"	5-3/8"
74183	7-3/4"	5-3/8"
74184	9-3/8"	8"
74090	9-3/8"	8"
74091	7-3/4"	5-3/8"

\* MAX. DECK THICKNESS  
 1-7/16" FOR RIGID SUPPLY  
 2" FOR HOSE CONNECTION

Fig. #7